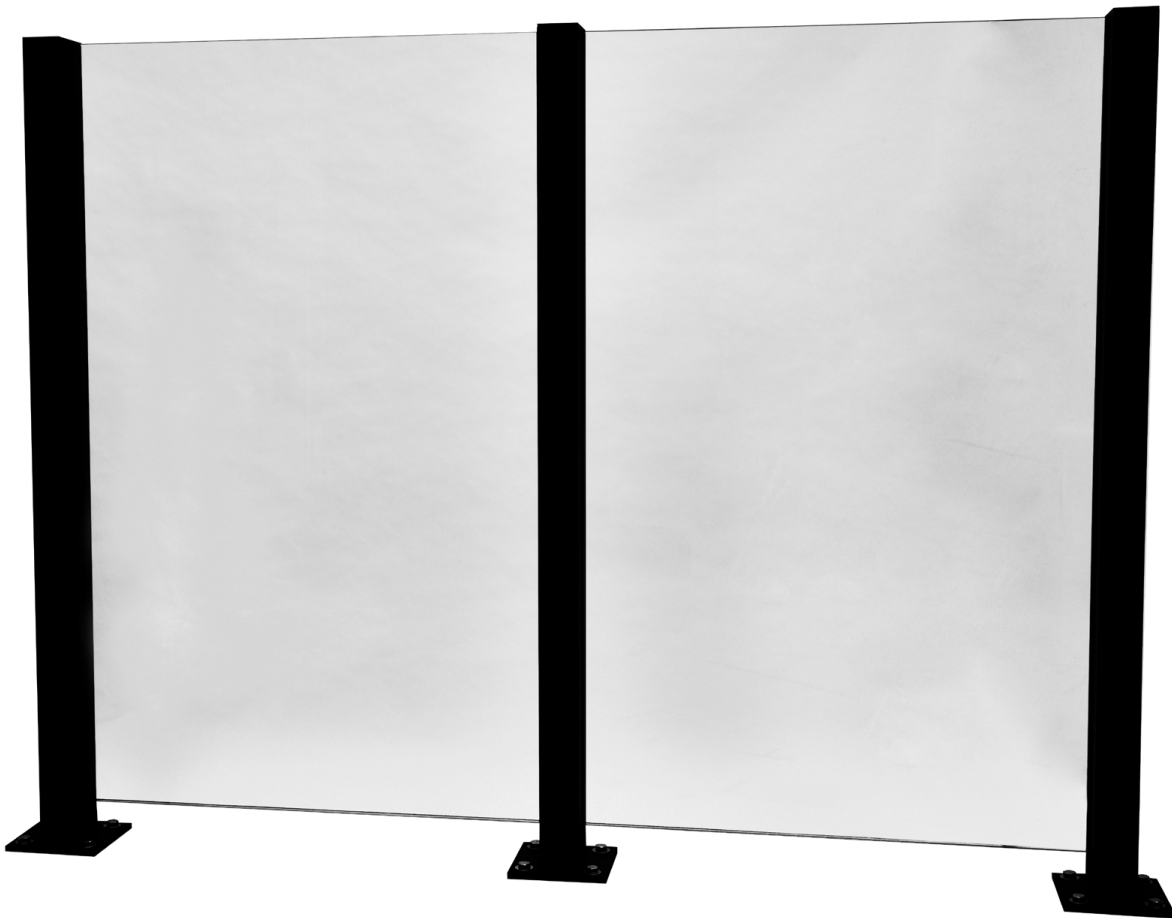


# CIELO™ POST WINDSCREEN SYSTEM



# TABLE OF CONTENTS

PARTS LIST .....	3
Windscreen and Surface Mounts .....	3
Gaskets, Covers, Blocks, and Screws .....	3
STANCHION LAYOUT .....	4
POST INSTALLATION .....	5-9
90° CORNER POST PARTS LIST .....	10
STANCHION LAYOUT FOR 90° CORNER POST .....	10
CORE-MOUNT INSTALLATION .....	11
90° CORNER POST INSTALLATION .....	11
GLAZING IN-BETWEEN CORNER POSTS .....	12
ANTI-WALKIGN BLOCK INSTALLATION .....	12
TRIM EXCESS GASKET AND CAP .....	13
LIMITED WARRANTY .....	14

IMPORTANT: READ THIS MANUAL THOROUGHLY BEFORE BEGINNING INSTALLATION

## TOOLS NEEDED:

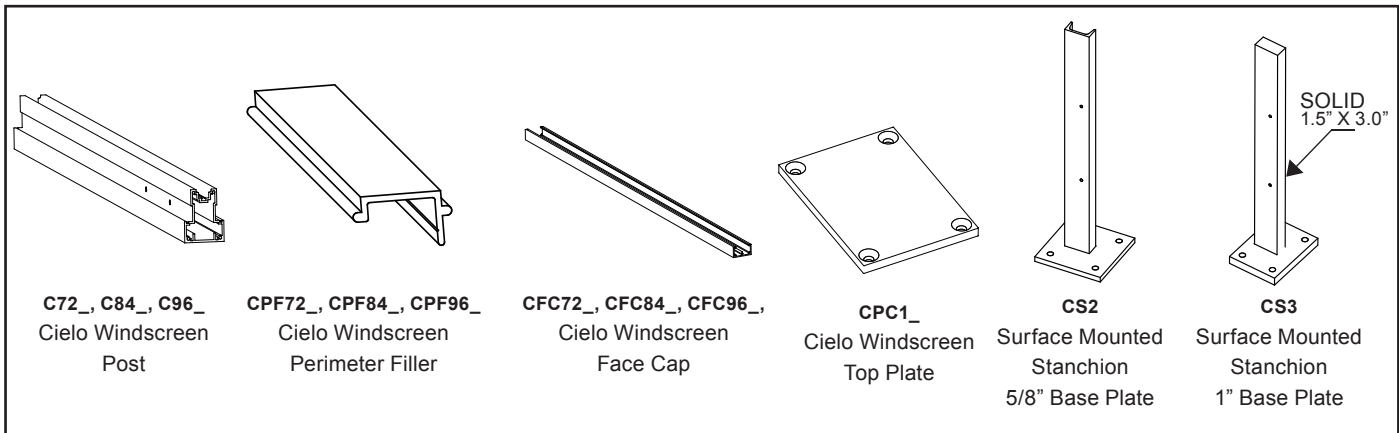
- Cordless Drill with #2 Phillips drive
- Glass suction cups
- Rubber mallet
- Needle nose pliers
- RB200 roller blocks
- Wood clamp
- Utility knife



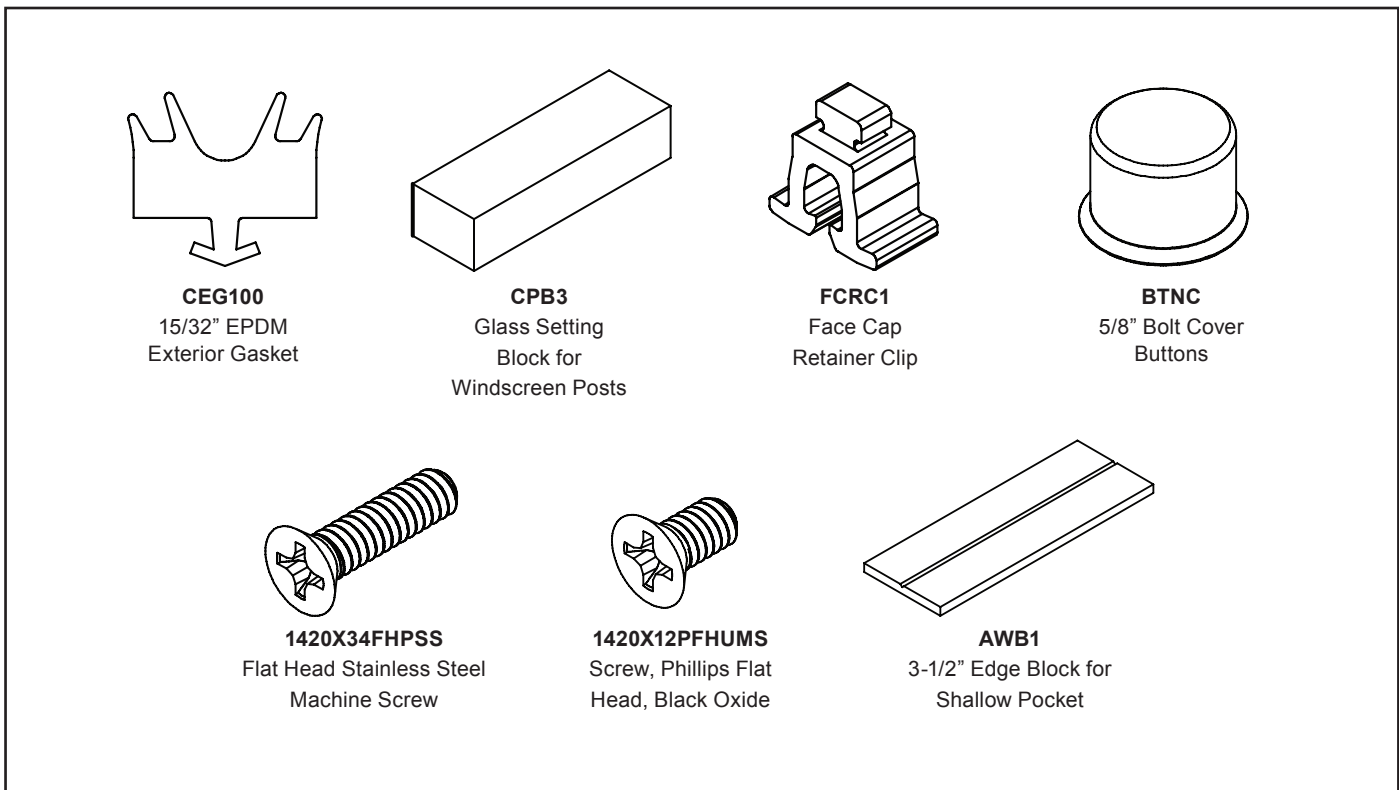
## PARTS LIST

All parts ordered individually as needed.

### CIELO™ POST WINDSCREEN AND SURFACE MOUNTS



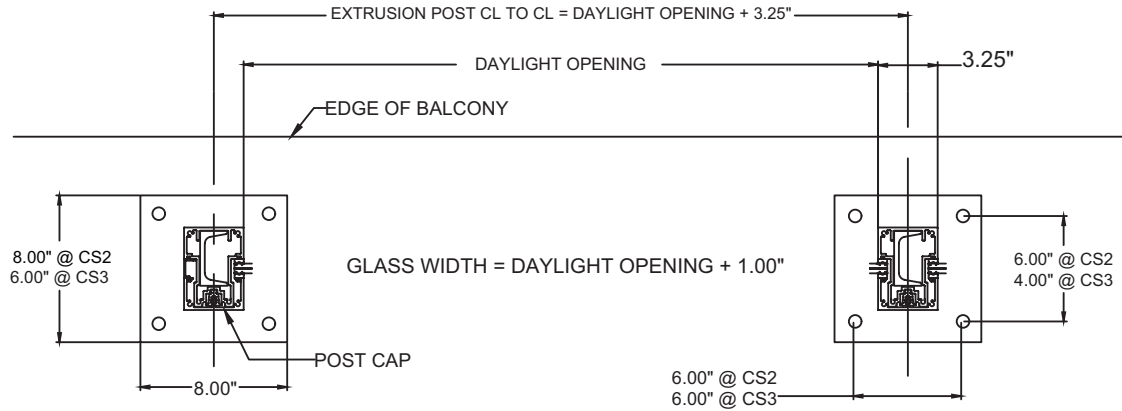
### GASKETS, COVERS, BLOCKS, & SCREWS



# STANCHION LAYOUT

## Layout of Surface Mount Stanchions

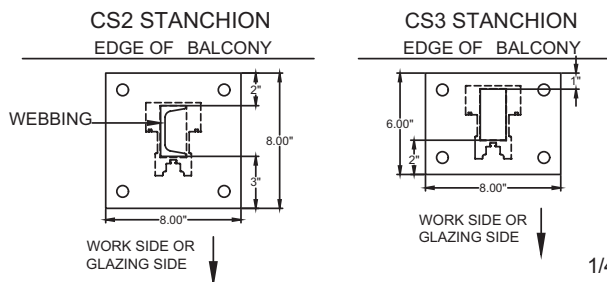
1. Verify that floor surfaces where the stanchions are to be installed are flat and leveled. Clean and clear all debris from work area.



Note: Post to post spacing by engineering calculations. Max post spacing center to center is 5 feet.

## Attachment of Stanchions to Substrate

2. Install ALL stanchions in the same orientation with C-channel webbing and threaded holes on the left side.

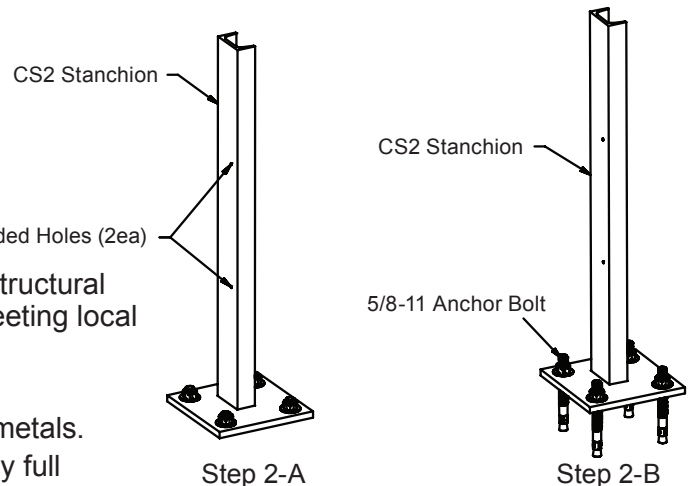


1/4-20 Threaded Holes (2ea)

Securely fasten each stanchion with (4) 5/8" diameter structural anchor bolts as specified by structural engineer and meeting local building code.

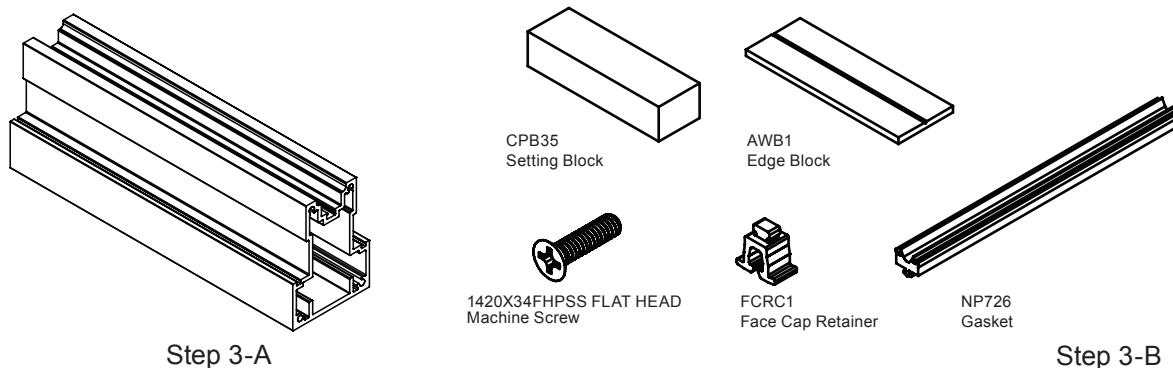
Notes:

1. When installing on metal structures, shim dissimilar metals.
2. Maximum recommended shim height is 1/4". Use only full bearing structural shims.



## Layout of Posts

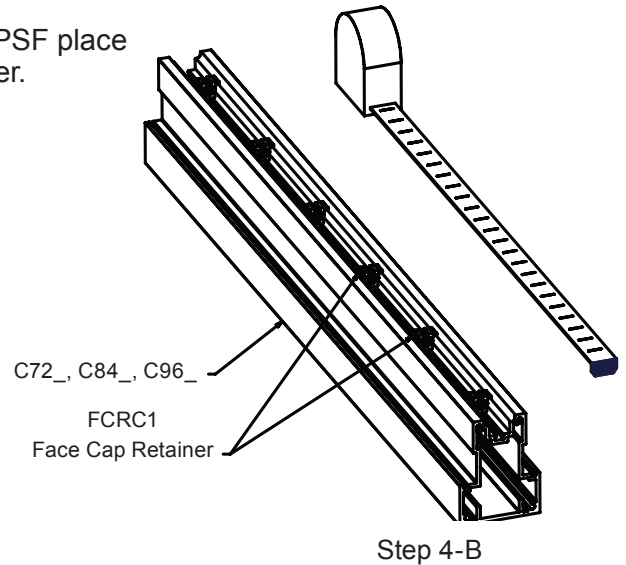
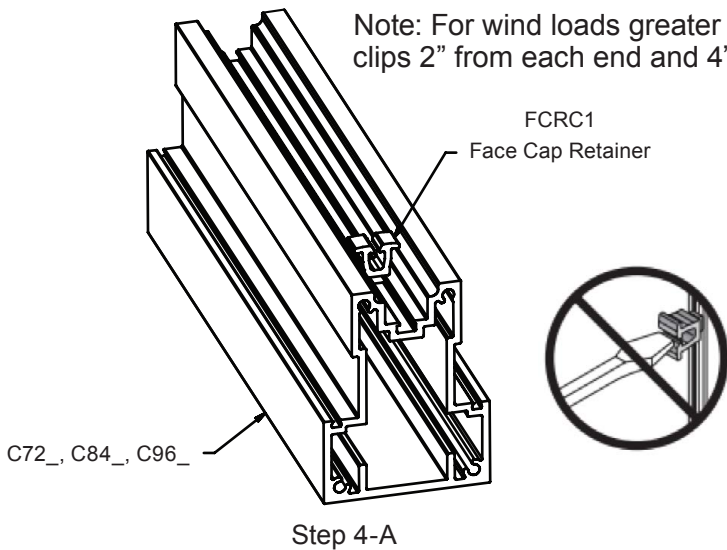
3. The left, right and middle post extrusions are the same shape. Posts are determined with the placement of glazing gaskets, glass edge blocks and setting blocks.



# POST INSTALLATION

## Installation of Clips on Posts

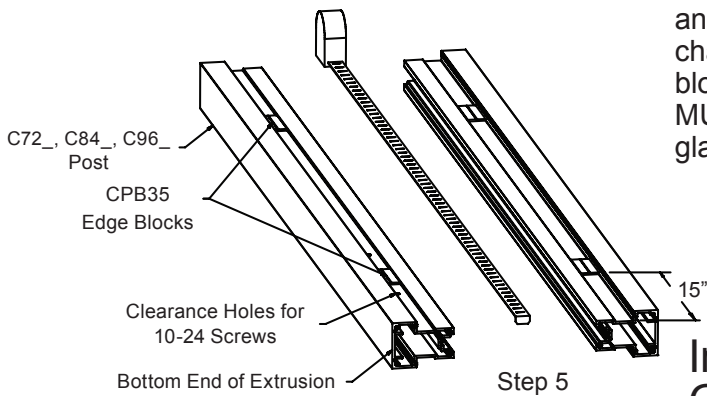
4. For all posts, place the first and last clip 2" from each end of the extrusion. Place the others 6" on center.



Align and insert snap clip's tabs into center channel. Turn clockwise ¼ to lock in place. DO NOT USE SCREWDRIVER TO INSTALL CLIPS. Pliers may be used to make the ¼ turn.

## Assemble the Posts

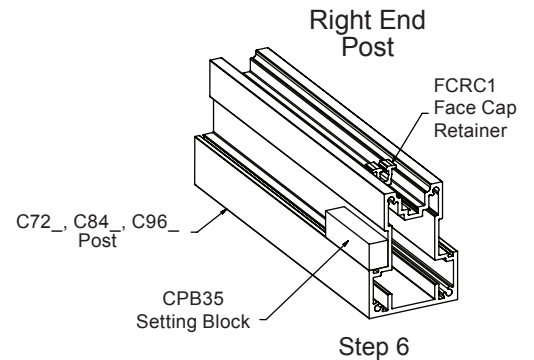
For center posts, install glazing gaskets, edge blocks and glass setting blocks on both sides of post. For end posts install glazing gaskets, edge blocks, and glass setting blocks only on the side where glass will be held.



5. 3.5" Glass Edge Blocks installation: Peel adhesive back and place (2) edge blocks alongside glazing channels, 15" from each end.

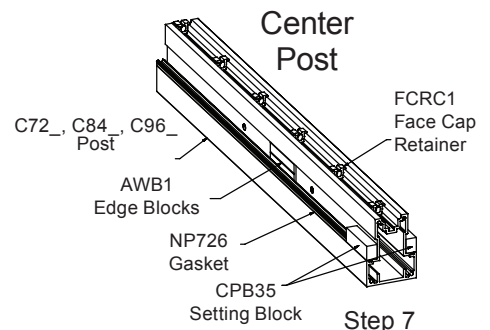
## Installing Glass Setting Block on Post

6. Align the Glass Setting Block flush with BOTTOM edge of post. Remove adhesive back and place on the same channels as glass edge blocks. ALL Blocks MUST be placed on the glass side.



## Install Glazing Gaskets on Posts

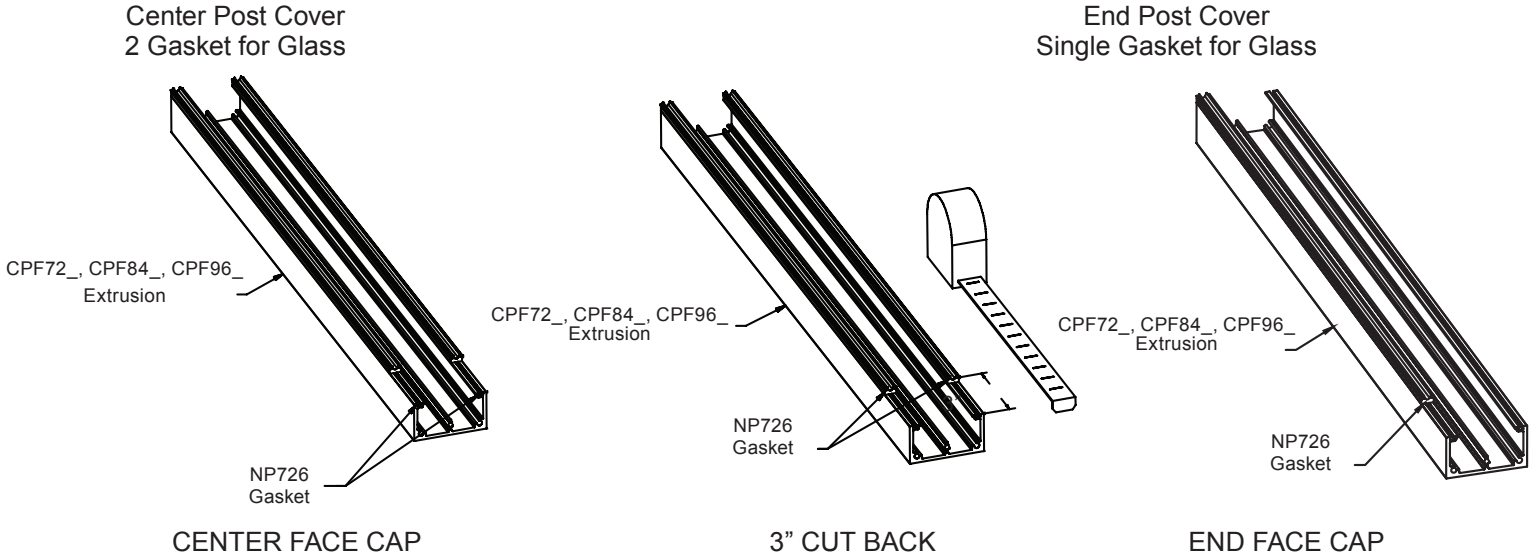
7. Install glazing gasket (gasket NP726) into gasket ringlet from setting block to top of post.



## POST INSTALLATION (CONTINUED)

### Face Cap Gasket Installation

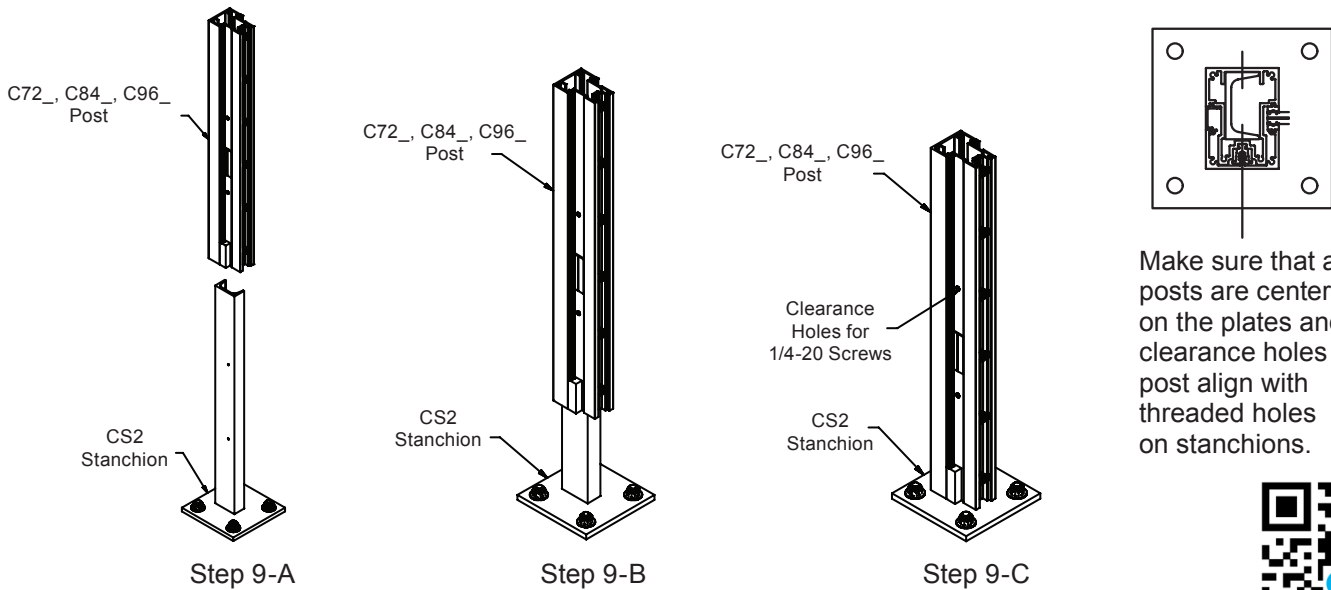
8. Center Face Cap: Install gaskets NP726 on BOTH sides as shown below. Cut the gasket 3" shorter from the bottom end of extrusion to clear glass setting blocks WPSBC in step 6.



End Face Cap: Install gasket NP726 on the side of the post where glass will be installed only.

### Install Post on Stanchion

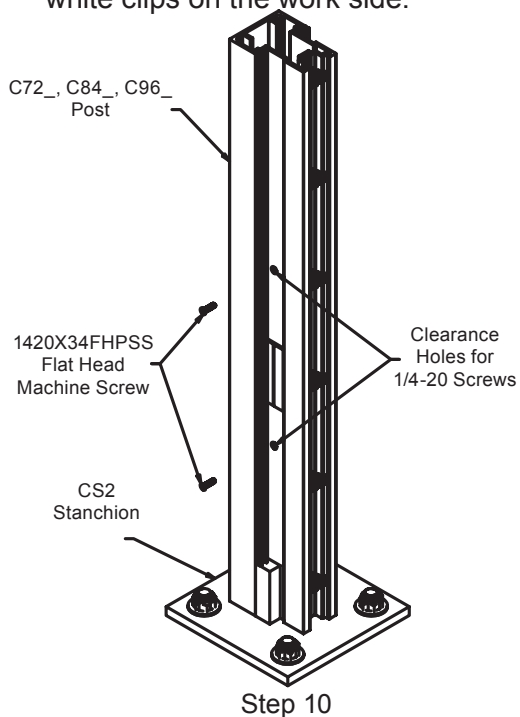
9. Slide the assembled post over the stanchion. Make sure the 2 holes on the side of the post are at the bottom and can engage with stanchion. The Glass Edge Blocks should also be at the bottom.



## POST INSTALLATION (CONTINUED)

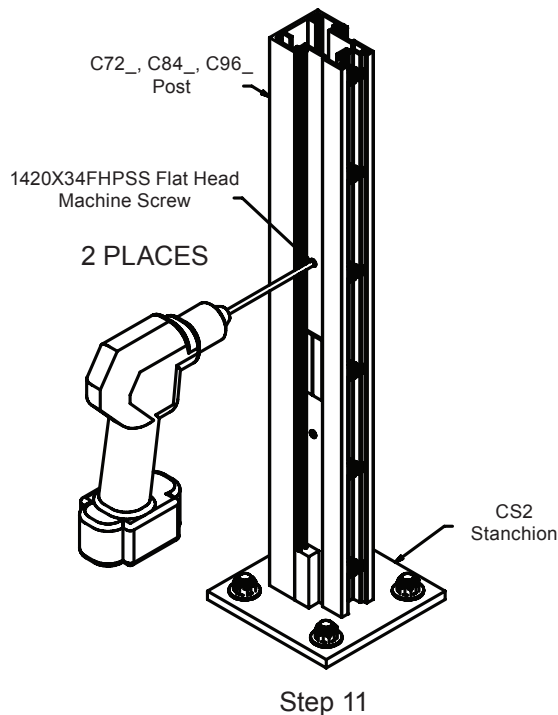
### Post Orientation

10. All posts shall be installed in the same orientation. ALL threaded holes are on the same side of the windscreen post, and all the white clips on the work side.



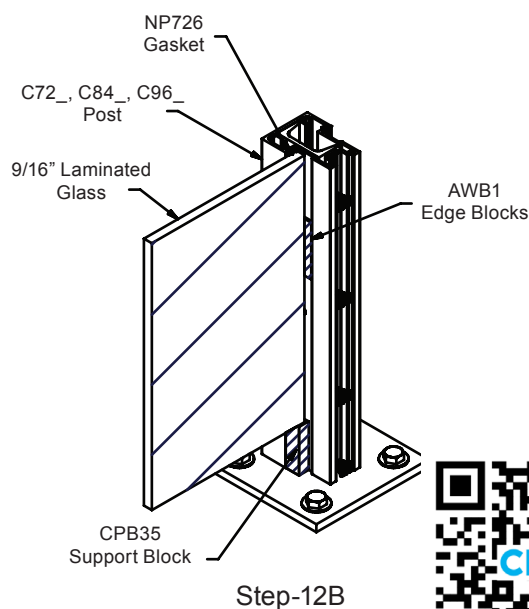
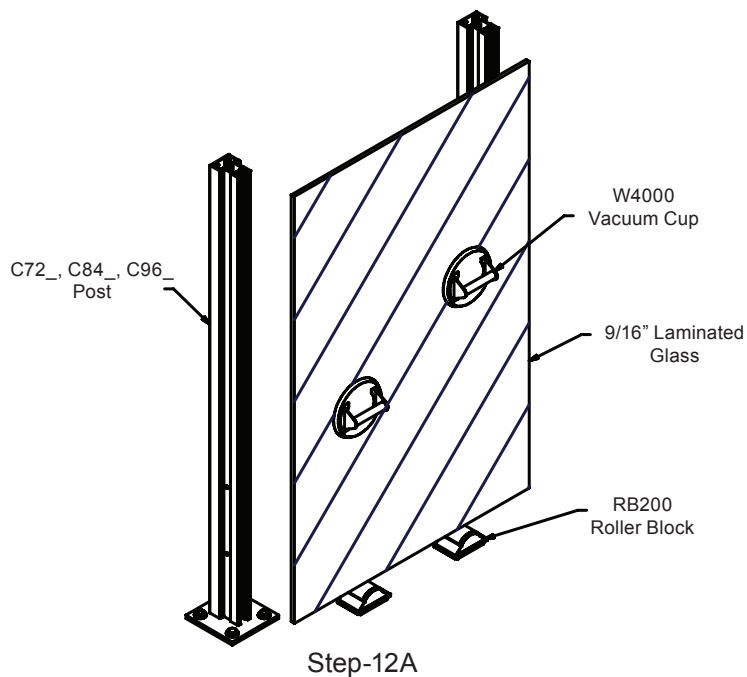
### Secure Post to Stanchion

11. Secure/lock-on every post with (2) 1/4-20 X 3/4" Flat Head Screw to every stanchion.



### Install Glass in Posts

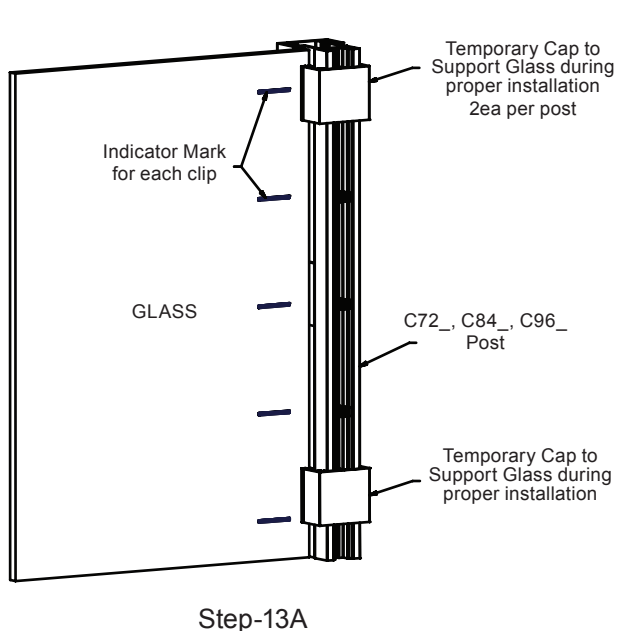
12. Carefully rest glass on RB200 Roller Block before final placement on top of glass setting blocks.



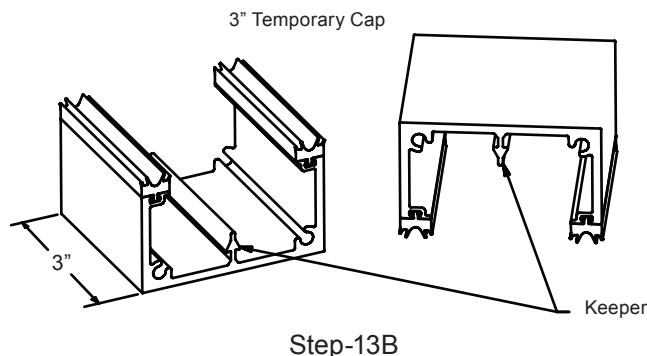
## POST INSTALLATION (CONTINUED)

### Mark Glass

13. Place a removable indicator mark on the glass next to every clip for later use. Marks will be a visual aid to where directly strike with mallet.



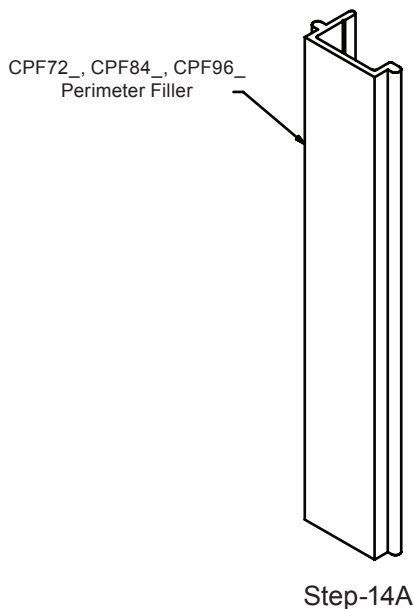
Step-13A



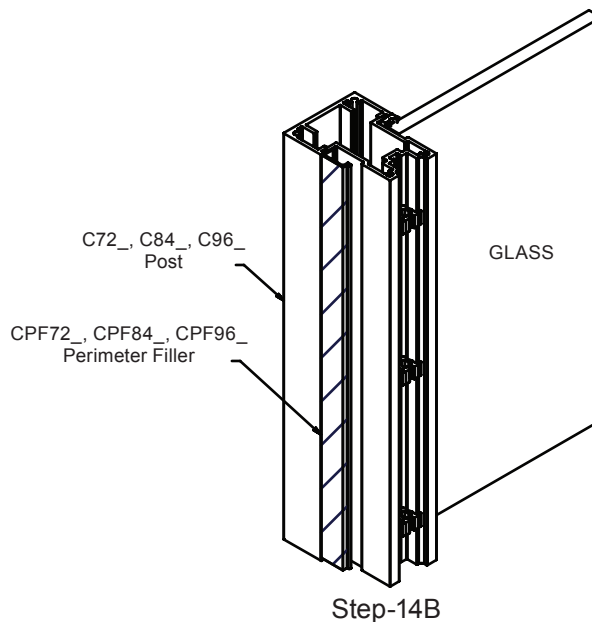
**IMPORTANT** – Temporarily hold glass in place with temporary cap at all four corners of glass. Align the keeper with plastic clips and push until cap locks in place. To remove temporary cap SLIDE CAP UP OR DOWN until it disengages from the plastic clip. Avoid pulling the cap horizontally. If clips are damaged in this process, replace with new ones.

### Install Post End Filler

14. Make sure that Perimeter Filler, AHWSP2, is correctly nested in extrusion post prior to installing caps.



Step-14A



Step-14B

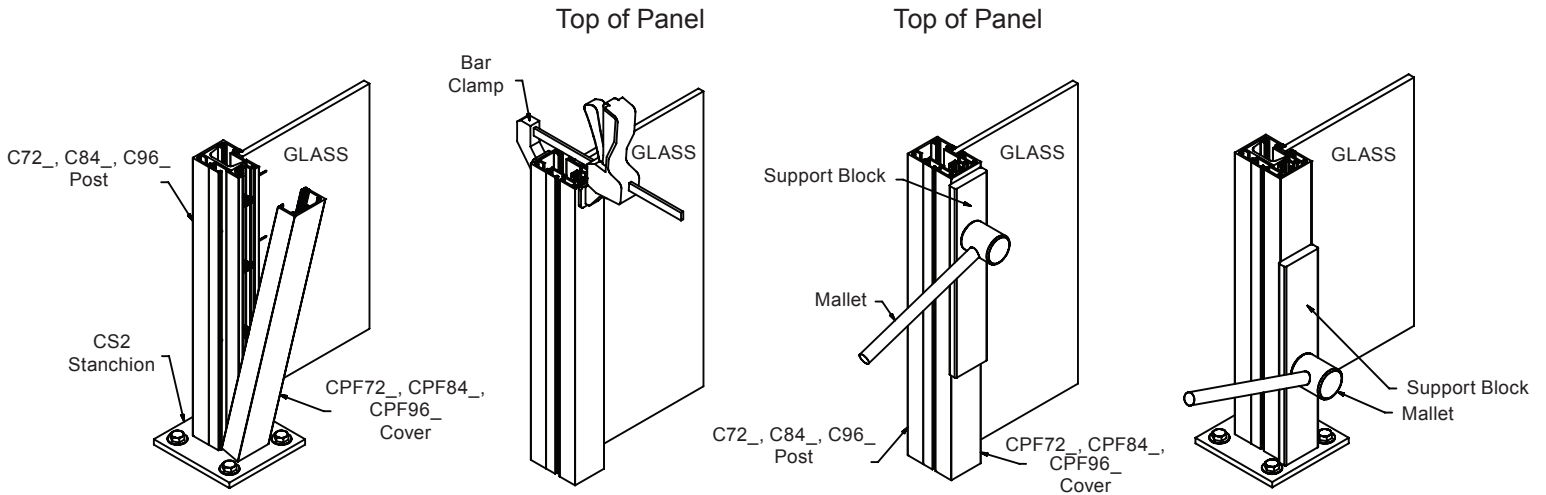




## POST INSTALLATION (CONTINUED)

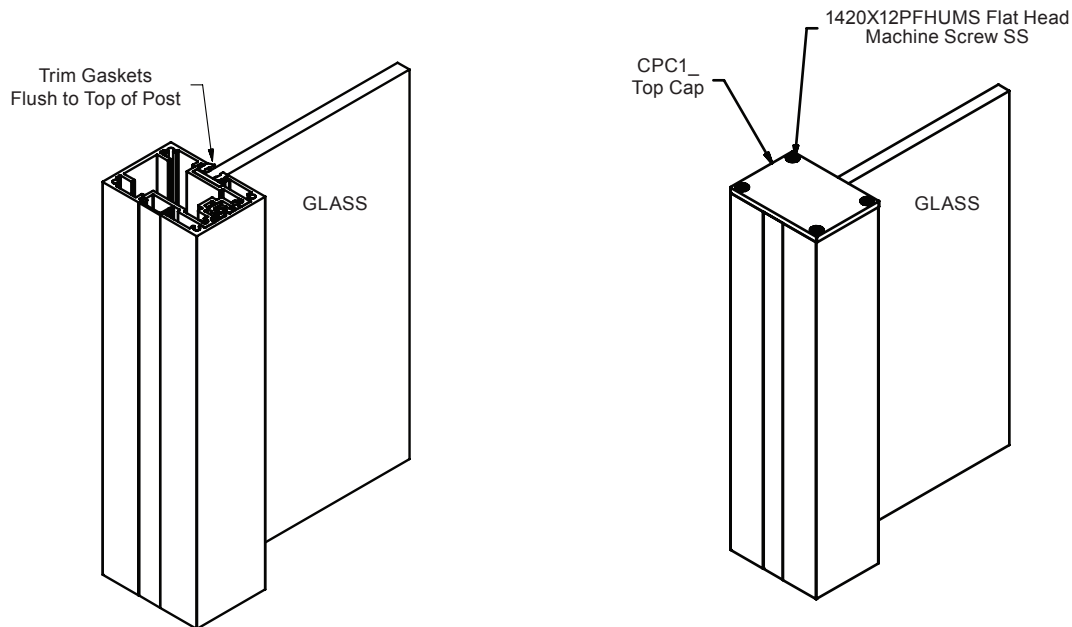
### Secure Glass in Post

15. Align the bottom edge of post cap and post. Firmly press and hold the top of cap against the extrusion post until the cap keeper completely snaps into plastic clip. Use clamps at top of post to prevent cap separation while engaging the lower clips. Use ST57550 mallet to hit the cap at EVERY yellow mark to lock in the cap to post. Visually verify that all vertical seams are tightly closed. Avoid hitting the aluminum cap directly with mallet, use piece of wood to prevent damage to cap.



### Trim Excess Gasket and Cap

16. Trim any excess gasket material on top of post. Secure top cap to post using four 1/4-20 X 1/2" flat head screws.

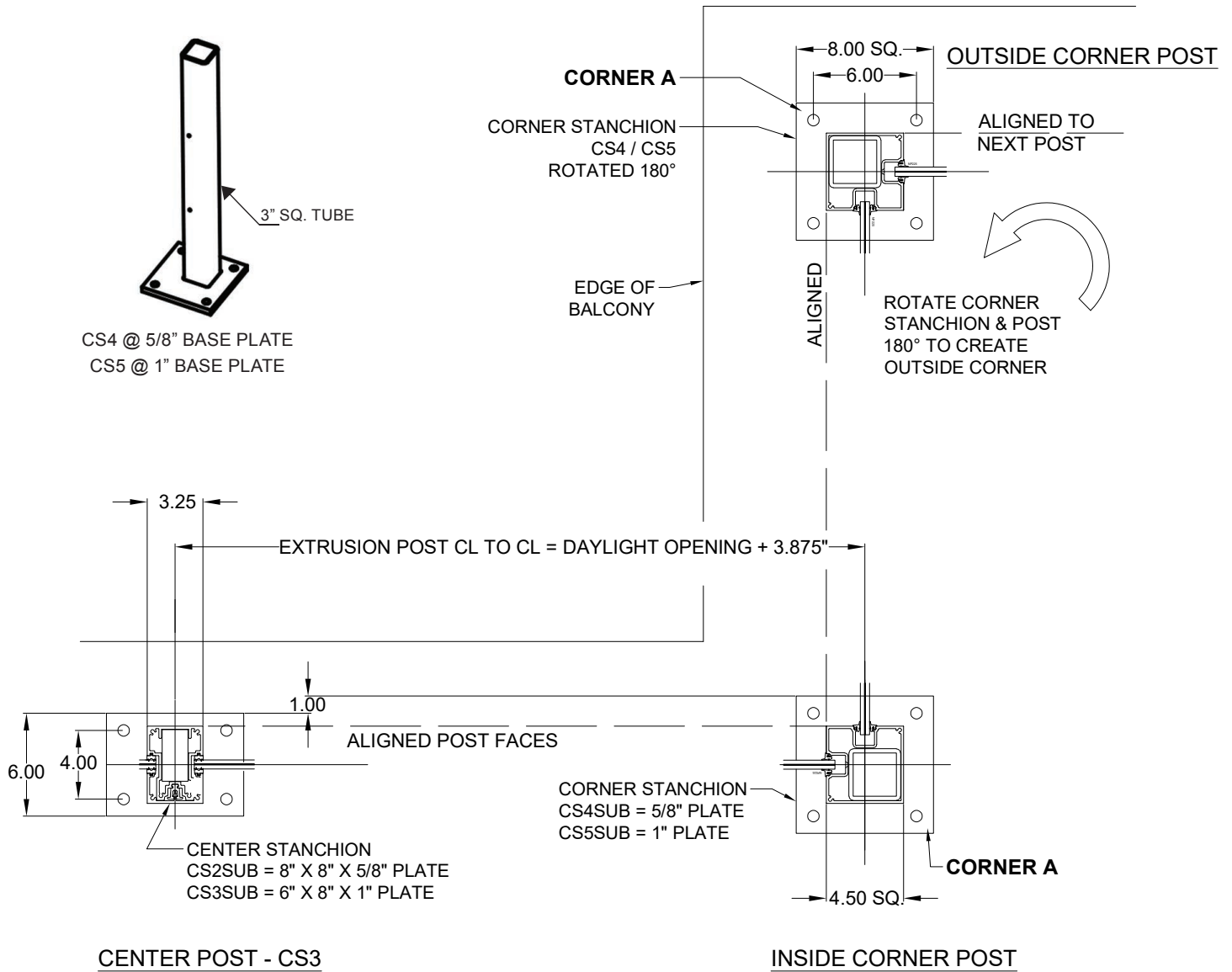


90° CORNER POST PARTS LIST

<p><b>C972_, C984_, C996_</b> Cielo Windscreen Post</p>	<p><b>NP225</b> SF GASKET</p>	<p><b>CPC9_</b> CORNER POST TOP PLATE</p>	<p><b>CPEB3</b> SETTING BLOCK</p>	<p><b>AWB1</b> ANTI-WALKING BLOCK</p>
<p><b>CS4_</b> SURFACE MOUNT STANCHION 8" X 8" X 5/8" PLATE 8" X 8" X 1" PLATE</p>	<p><b>CS4A</b> CORE-MOUNT STANCHION 3" X 3" X 1/4" TUBE</p>	<p><b>1420X34FHPSS</b> Flat Head Stainless Steel Machine Screw</p>	<p><b>1420X12PFHUMS</b> Screw, Phillips Flat Head, Black Oxide</p>	
			<p><b>BTNC</b> 5/8" Bolt Cover Buttons</p>	



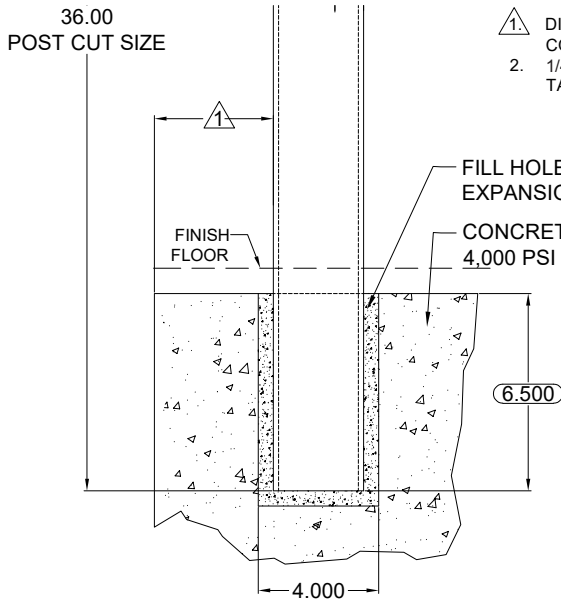
# STANCHION LAYOUT FOR 90° CORNER POST



CORNER POST STANCHION LAYOUT- TEMPORARILY PLACE ALUMINUM EXTRUSION OVER STANCHION TO ALIGN GLASS POCKET CENTER LINES, AS SHOWN IN DIAGRAM. ALUMINUM POST AND STANCHIONS MUST ALWAYS BE ASSEMBLED IN THE SAME ORIENTATION TO EACH OTHER. ROTATE STANCHION AND POST TO ACHIEVE DESIRED RAILING CONFIGURATION. POSITION OF STANCHION AND ANCHORING HARDWARE MUST SPECIFIED BY STRUCTURAL ENGINEER.

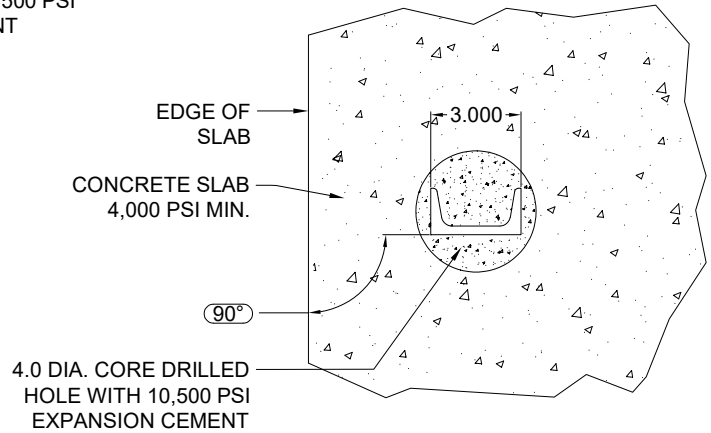


# CORE-MOUNT INSTALLATION



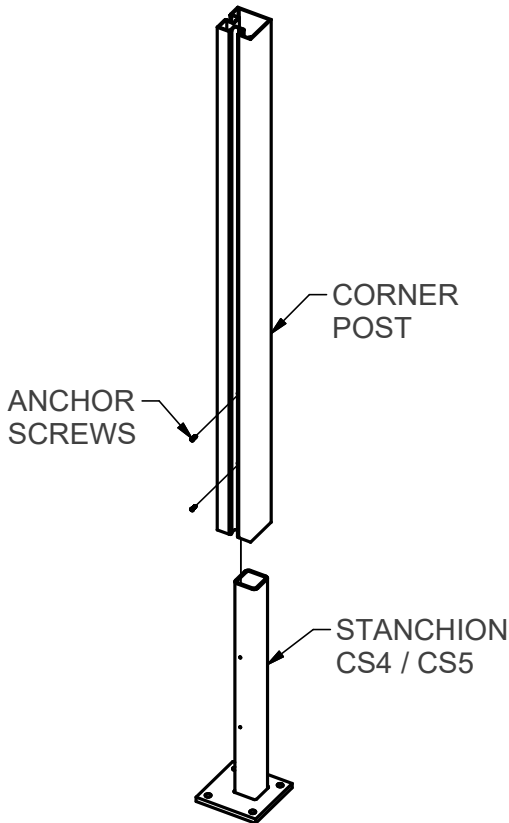
**TYPICAL CORE-MOUNT - SECTION**

1. DISTANCE FROM CONCRETE SLAB EDGE TO CENTER OF CORE HOLE AND DEPTH OF CORE HOLE SHALL BE SPECIFIED BY STRUCTURAL ENGINEER.
2. 1/4-20 X 3/4" THREADED HOLES IN STANCHION SHALL BE LOCATED, DRILLED AND TAPPED AT JOB SITE.



**TYPICAL CORE-MOUNT - TOP VIEW**

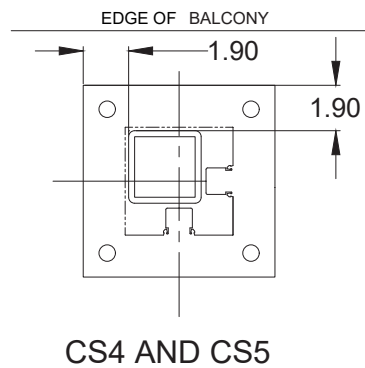
# POST INSTALLATION



INSTALLATION AS SPECIFIED BY STRUCTURAL ENGINEER.

## 90° CORNER POST INSTALLATION-

AFTER STANCHIONS ARE SECURELY ANCHORED, INSERT POST ONTO STANCHION. SECURELY FASTEN WITH (2) 1/4-20 X 3/4" FLAT HEAD ANCHOR SCREWS.

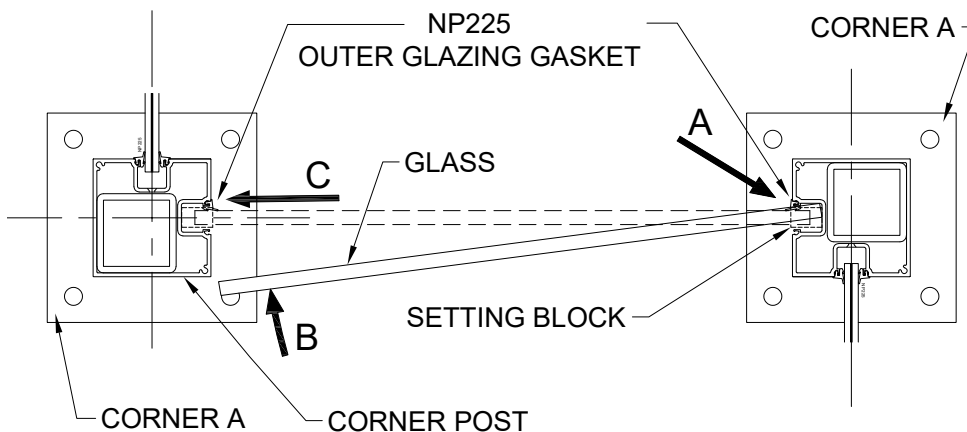


**NOTE:**

VERIFY THE POST IS CENTERED ON THE STANCHION. EQUAL SPACES ALL AROUND.



## GLAZING IN-BETWEEN CORNER POSTS.

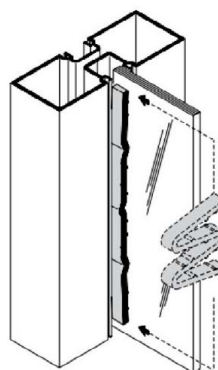


**NOTE:**

GLASS WIDTH IN BETWEEN 2 CORNER POSTS = DAYLIGHT OPENING + 1.0" +.00"/-.125".

### GLAZING IN BETWEEN CORNER POSTS

1. PEEL OFF PVC LINER OFF DOUBLE-SIDED TAPE AND INSERT IT INTO GLAZING POCKET AND ON TOP OF BASE PLATE.
2. INSTALL (2) GLAZING GASKET ON THE OUTSIDE GLAZING POCKET ONLY. GASKETS SHOULD BE 1/8" [3.2MM] PER FOOT OF ALUMINUM MEMBER TO ALLOW FOR SHRINKAGE.
3. SET GLASS IN PLACE FOLLOWING THE 3 STEPS OUTLINE BELOW AS SHOWN IN ILLUSTRATION ABOVE.
  - A. FULLY INSERT ONE EDGE OF GLASS INTO POST GLAZING POCKET AND SET ON TOP OFF SETTING BLOCK.
  - B. CAREFULLY SWING THE OTHER GLASS EDGE INTO THE OPPOSITE POST GLAZING POCKET AND SET ON SETTING BLOCK.
  - C. CENTER GLASS IN-BETWEEN CORNER POST TO MAKE ROOM FOR THE ANTI-WALKING BLOCK.
4. INSTALL ANTI-WALKING BLOCK.



**AWB1**

"W" Edge Block

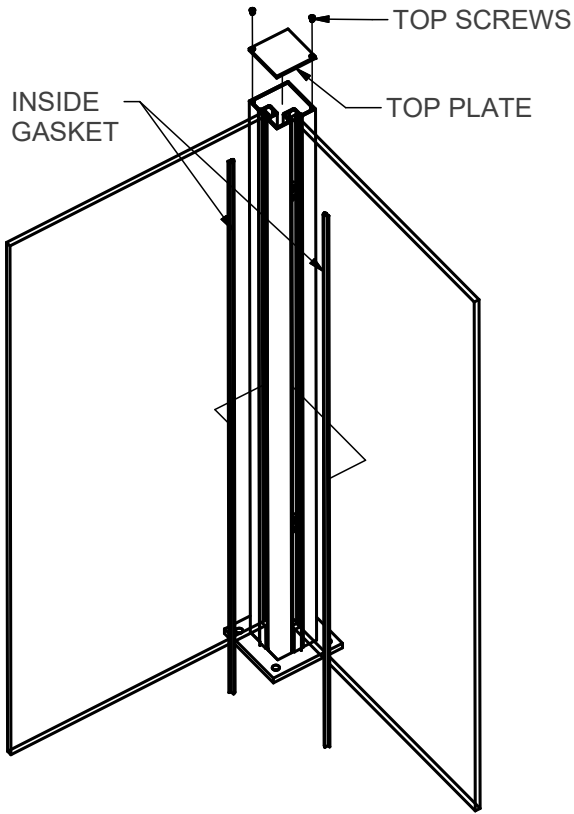
Stretch "W" Edge Block and slide it between glass and mullion into glazing pocket. Push it all the way until it clears glass, expands and locks itself in place

### 5. INSTALL (2) INNER GASKETS.

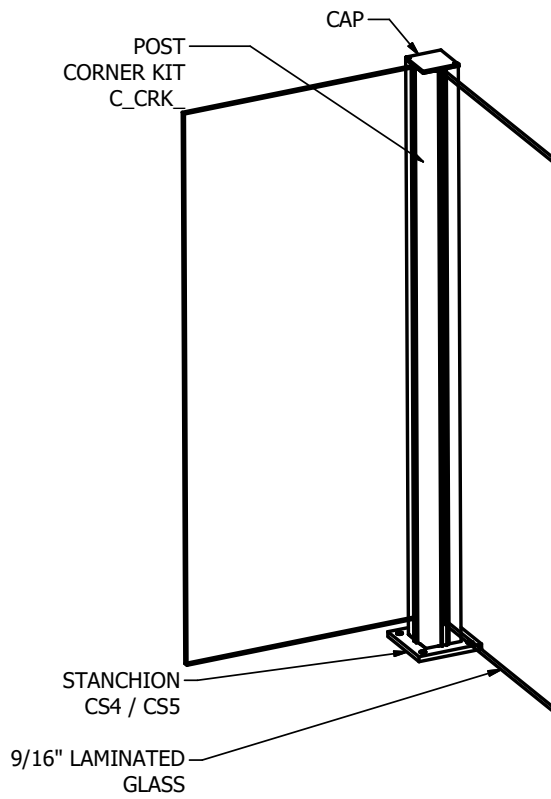
Install remaining gaskets. Vertical gaskets run through. Start at corners and work toward center. Tight butt joined corners are critical to avoid leakage. Seal ends of horizontal gaskets prior to abutting to vertical gaskets.



# TRIM EXCESS GASKET AND CAP



INSTALL INNER GLASS GASKET.  
DO NOT STRETCH GASKET.  
TRIM EXCESS GASKETS AT TOP OF POST.  
INSTALL TOP PLATE AND FASTEN WITH (2) SCREWS.



CORNER POST ASSEMBLY





## Limited Warranty

### Cielo™ Post Windscreen System Products

#### LIMITED WARRANTY AND LIABILITY INFORMATION

C.R. Laurence Co., Inc (CRL) warrants its dealers, customers and subsequent purchaser and users, that the **Cielo™ Post Windscreen System Products** that it supplies shall be free of material defects and defects in workmanship for a period of one (1) year from date on invoice. The durable powder coated finish warranty guarantees that the finish will not crack, flake blister, or peel under condition of normal use for a period of five (5) years.

This Warranty will not apply if after inspection by **CRL**, it is determined that the above Aluminum Windscreen System Products have been installed and maintained in a manner that is not in conformity with the instructions and guidelines set forth by **CRL** for proper installation and maintenance.

This Warranty excludes product failure caused by normal weathering, chalking, scratching, fading, corrosive atmospheric contaminants (e.g. Chemical fumes, pollution), negligence, abuse, accident, shipping, improper use or installation, fire, flood, exposure to corrosive elements or acts of God or other causes unrelated to defective materials or workmanship.

**CRL's** responsibility to provide a remedy under this warranty shall be limited in its sole discretion to either refund the purchase price or to provide replacement **Cielo™ Post Windscreen System Products**. The refund or replacement shall constitute the limit of **CRL's** liability and obligation for any material defect or defect in workmanship in an **Cielo™ Post Windscreen System Products**.

This Warranty is exclusive, and in lieu of all other express or implied warranties, including without limitation, any implied warranty of merchantability or fitness for a particular purpose. In no event shall **CRL** be liable under any legal theory (including but not limited to contact, negligence, strict liability in tort, or warranty of any kind) for any indirect, special, incidental, consequential, or exemplary damages (including but not limited to lost profits).

**C.R. Laurence Co., Inc.**  
2503 E. Vernon Avenue, Los Angeles CA 90058  
Phone (800) 421-6144 • Fax (800) 262-3299 • [crlaurence.com](http://crlaurence.com)