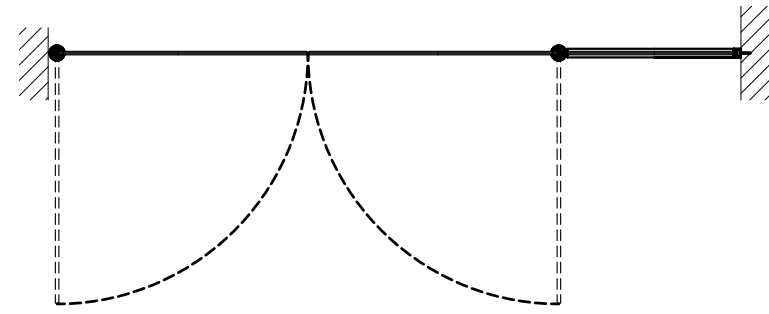
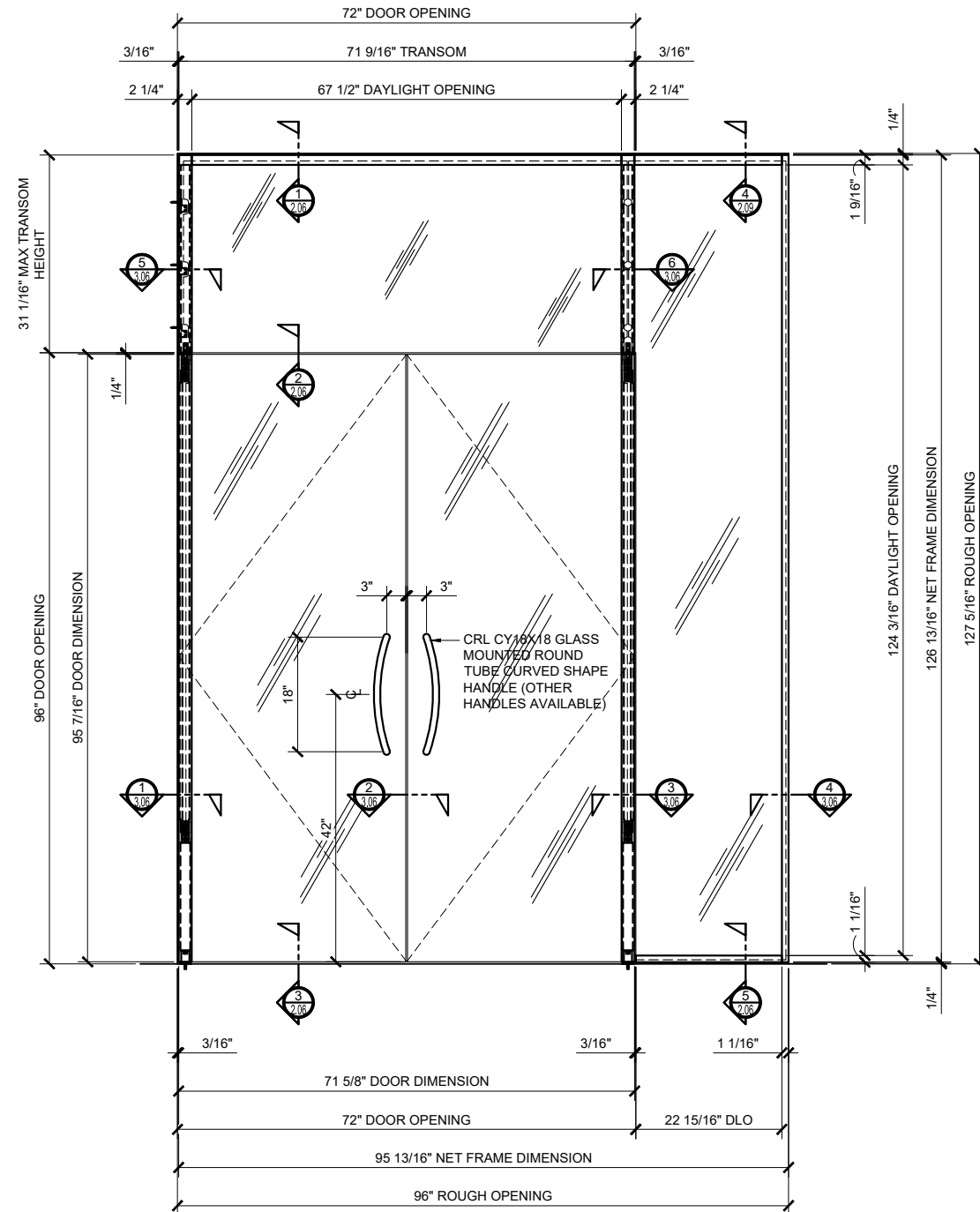


1202 SERIES SWINGING DOUBLE GLASS DOOR - WITH SIDELITE & TRANSOM



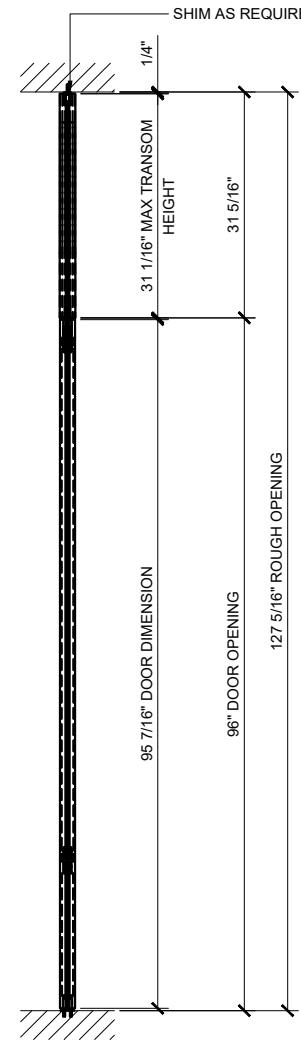
① PLAN

ARCH REF: 1"=1'-0"



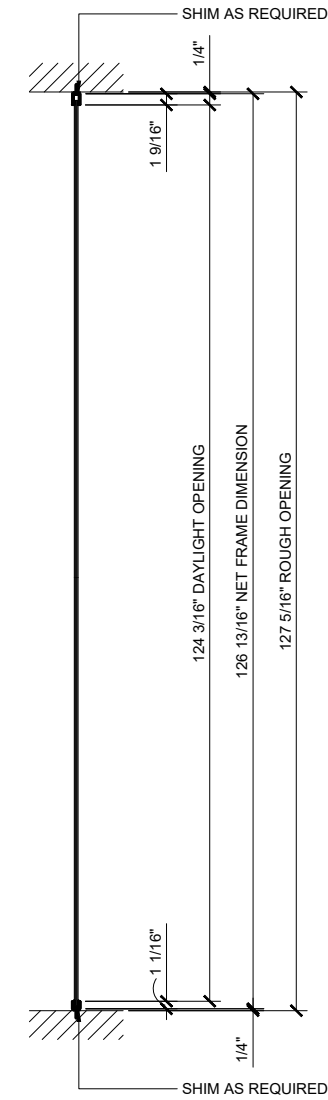
② ELEVATION

ARCH REF: 1"=1'-0"



③ DOOR SECTION

ARCH REF: 1"=1'-0"



④ SIDELITE SECTION

ARCH REF: 1"=1'-0"

Revisions By:

CRL.

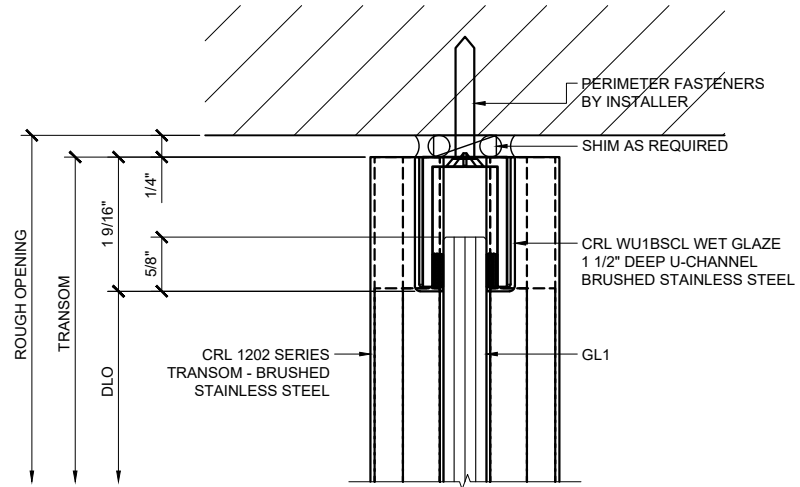
2503 E. Vernon Avenue, Los Angeles, C.A. 90058-1897
 PH: (800)-421-6144 FAX: 800-587-7501 www.crlusa.com

Description:
 1202 SERIES SWINGING
 GLASS DOOR
 W/ TRANSOM & W SIDELITE

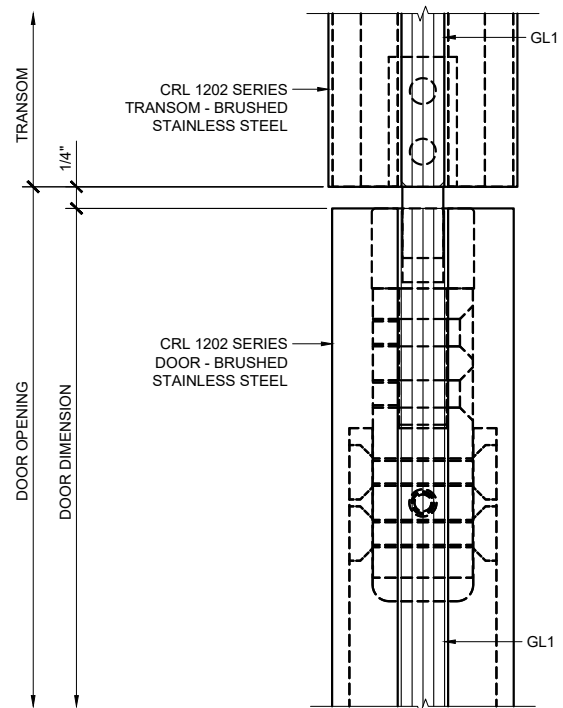
Drawn By: AAD
 Date: 10/21/18
 Scale: AS NOTED
 File Name: 3-1202 Series Swinging
 Glass Door with Transom & Sidite

Sheet

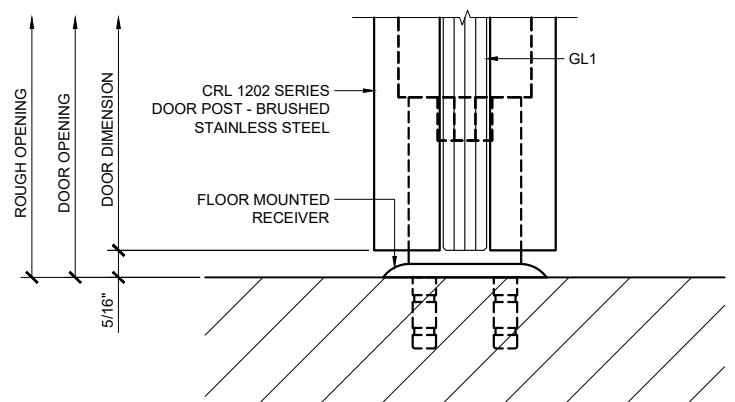
1.06



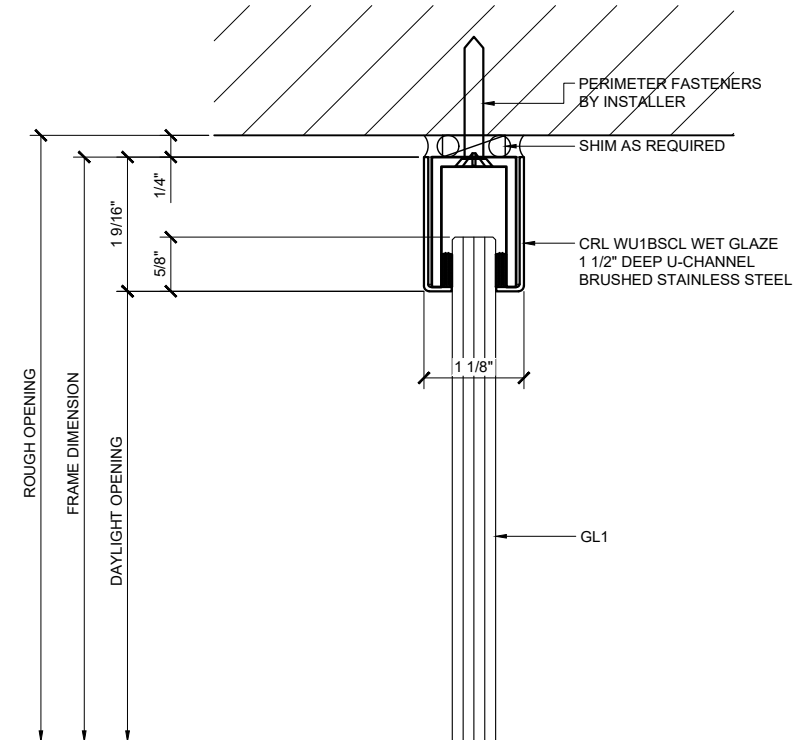
① TRANSOM HEAD DETAIL
ARCH REF: 1'-0"=1'-0"



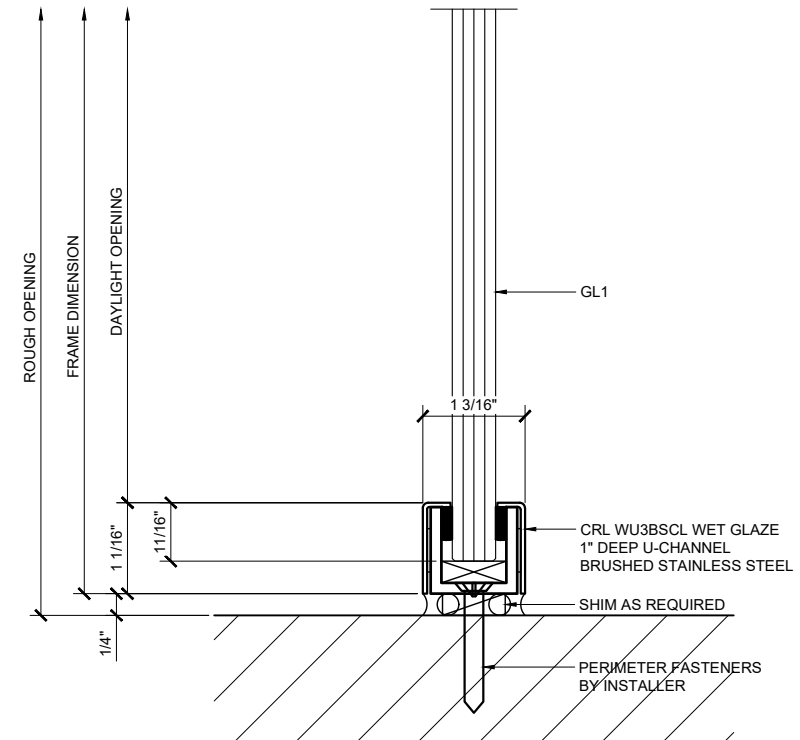
② DOOR HEAD AT TRANSOM DETAIL
ARCH REF: 1'-0"=1'-0"



③ DOOR SILL DETAIL
ARCH REF: 1'-0"=1'-0"



④ SIDELITE HEAD DETAIL
ARCH REF: 1'-0"=1'-0"



⑤ SIDELITE SILL DETAIL
ARCH REF: 1'-0"=1'-0"

Revisions By:

CRL.

2503 E. Vernon Avenue, Los Angeles, C.A. 90058-1897
PH: (800)-421-6144 FAX: 800-587-7501 www.crlusa.com

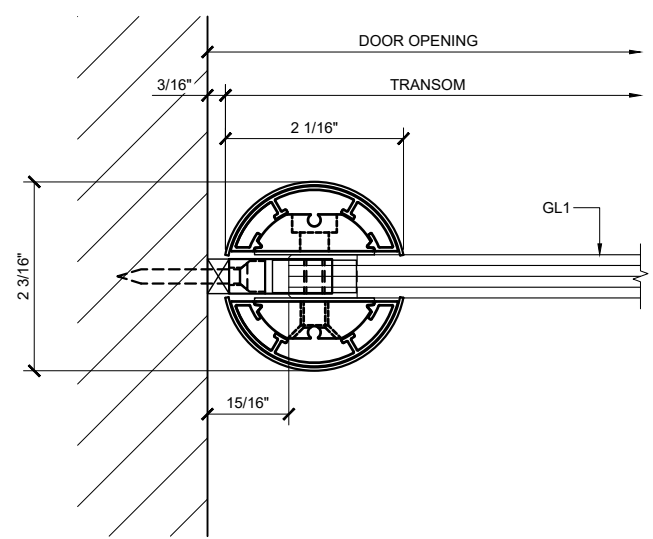
Description:
1202 SERIES SWINGING
GLASS DOOR
W/ TRANSOM & W SIDELITE

Drawn By: AAD
Date: 10/21/18
Scale: AS NOTED
File Name: 3-1202 Series Swinging Glass Door with Transom & Sidelite

Sheet

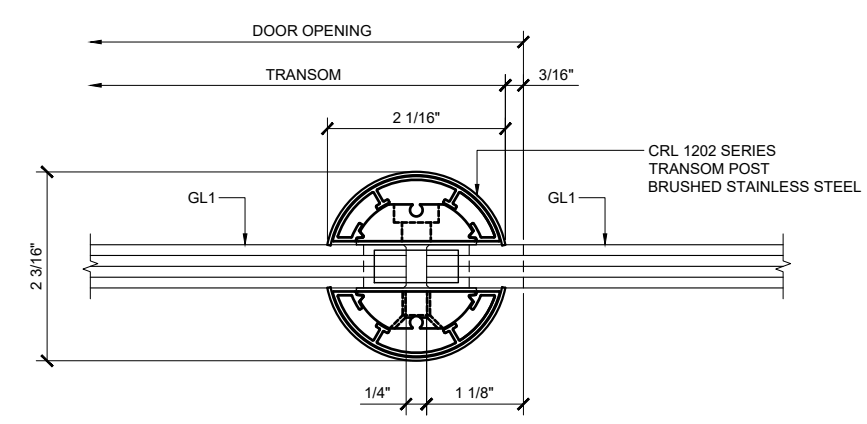
2.06

Revisions By:



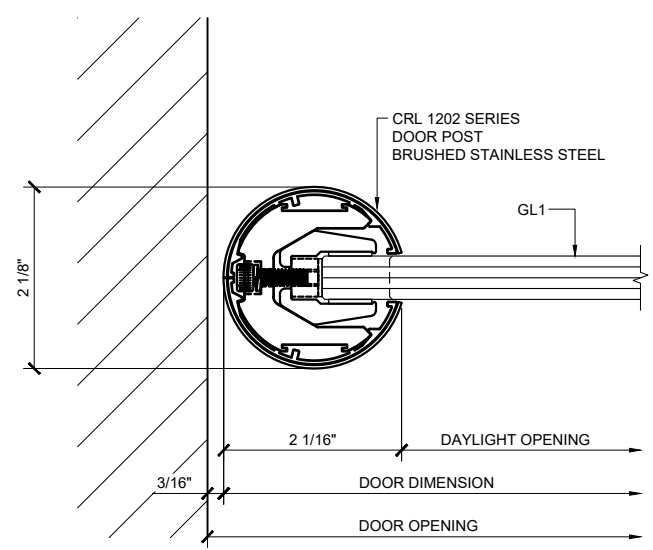
⑤ TRANSOM POST SECTION AT WALL DETAIL

ARCH REF: 1'-0"=1'-0"



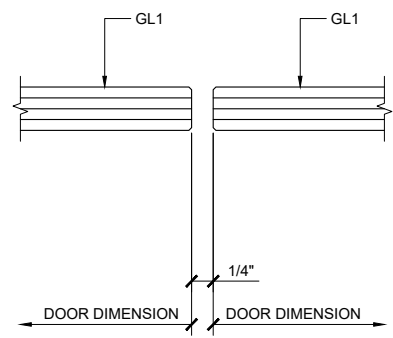
⑥ TRANSOM POST SECTION AT SIDELITE DETAIL

ARCH REF: 1'-0"=1'-0"



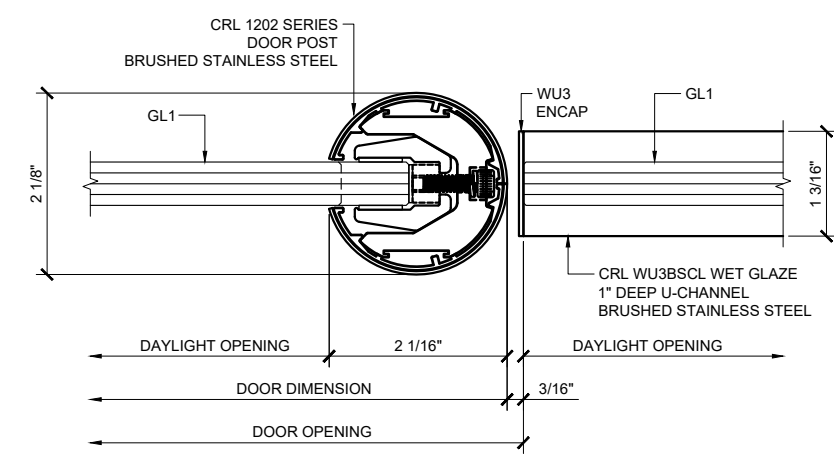
① DOOR PIVOT POST SECTION DETAIL

ARCH REF: 1'-0"=1'-0"



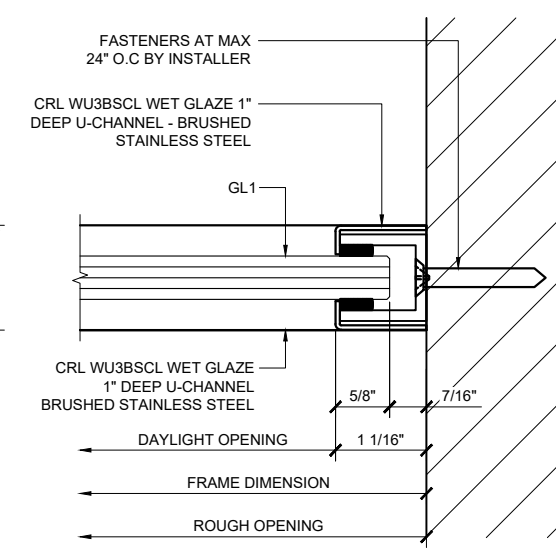
② MEETING STILES

ARCH REF: 1'-0"=1'-0"



③ DOOR PIVOT POST SECTION DETAIL

ARCH REF: 1'-0"=1'-0"



④ WALL JAMB DETAIL

ARCH REF: 1'-0"=1'-0"

Description:
1202 SERIES SWINGING
GLASS DOOR
W/ TRANSOM & W SIDELITE

Drawn By: AAD
Date: 10/21/18
Scale: AS NOTED
File Name: 3-1202 Series Swinging
Glass Door with Transom & Sidelite

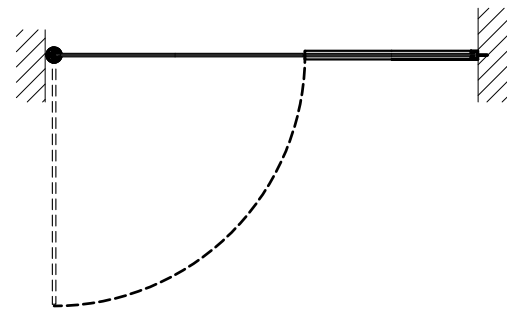
Sheet

3.06

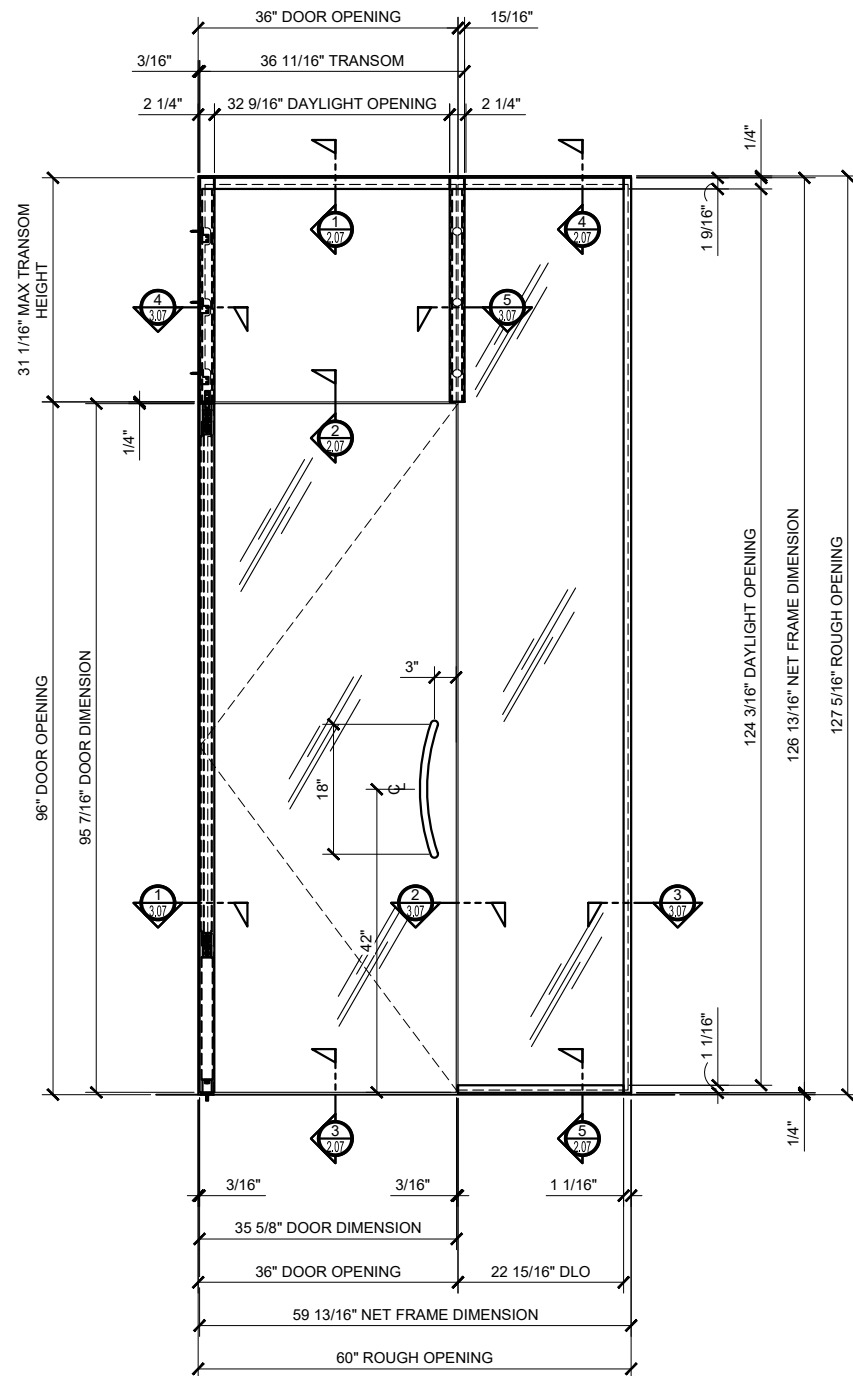
CRL.

2503 E. Vernon Avenue, Los Angeles, CA 90058-1897
PH: (800)-421-6144 FAX: 800-587-7501 www.crlusa.com

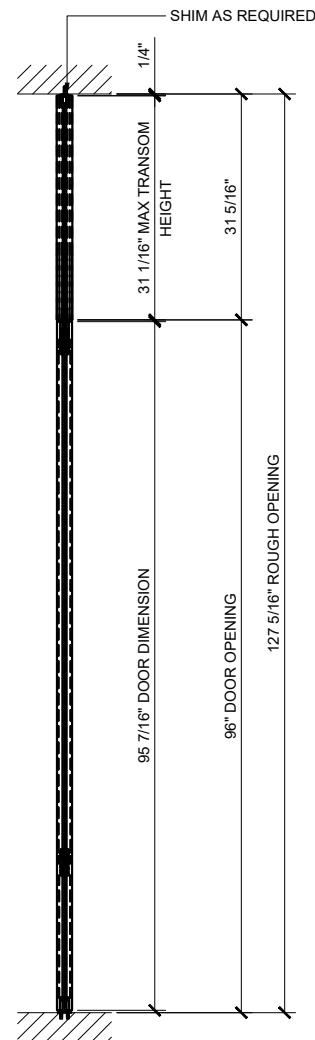
1202 SERIES SWINGING SINGLE GLASS DOORS - WITH SIDELITE & TRANSOM



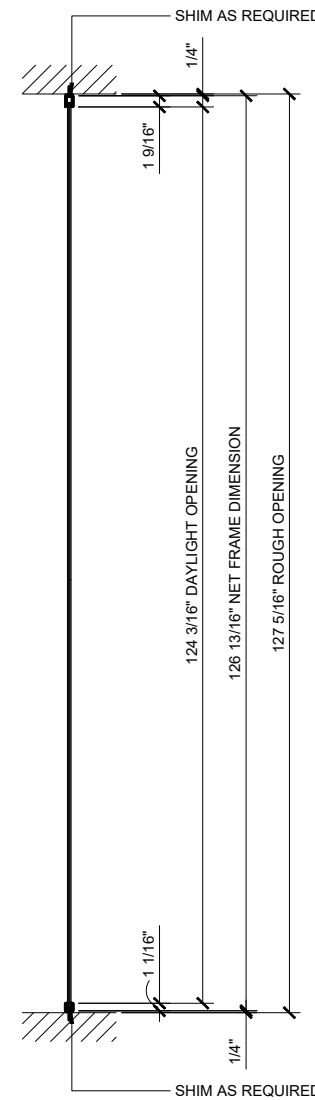
① PLAN
ARCH REF: 1"=1'-0"



② ELEVATION
ARCH REF: 1"=1'-0"



⑤ DOOR SECTION
ARCH REF: 1"=1'-0"



⑥ SIDELITE SECTION
ARCH REF: 1"=1'-0"

Revisions By:

CRL.

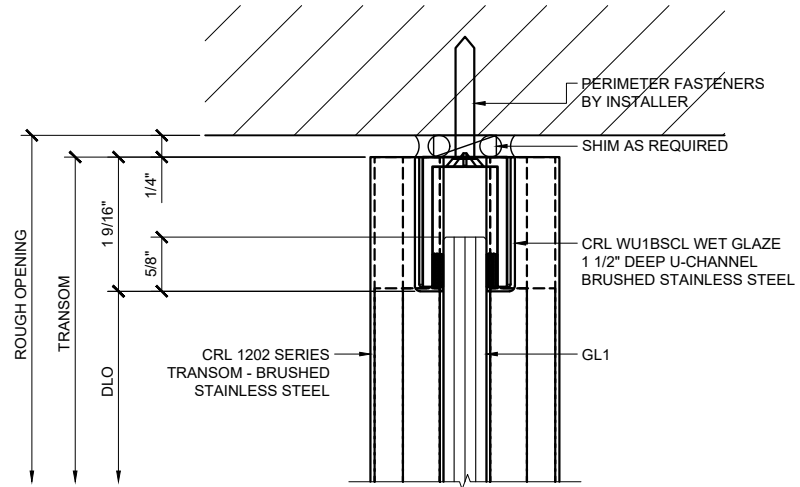
2503 E. Vernon Avenue, Los Angeles, CA 90058-1897
PH: (800)-421-6144 FAX: 800-587-7501 www.crlusa.com

Description:
1202 SERIES SWINGING
GLASS DOOR
W/ TRANSOM & W SIDELITE

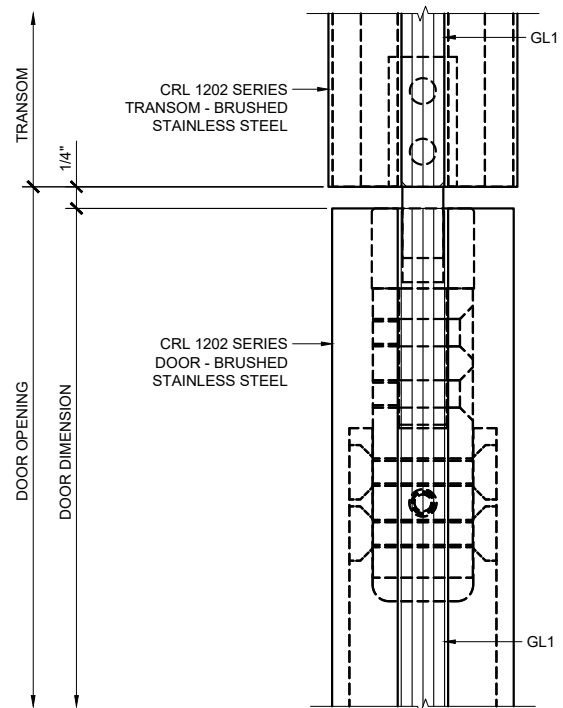
Drawn By: AAD
Date: 10/21/18
Scale: AS NOTED
File Name: 3-1202 Series Swinging Glass Door with Transom & Sidelite

Sheet

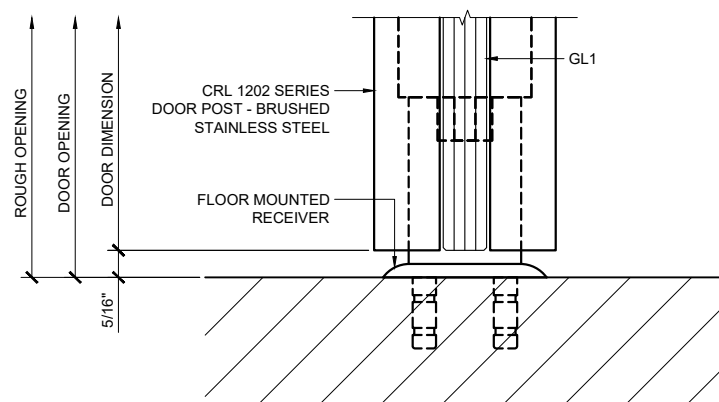
1.07



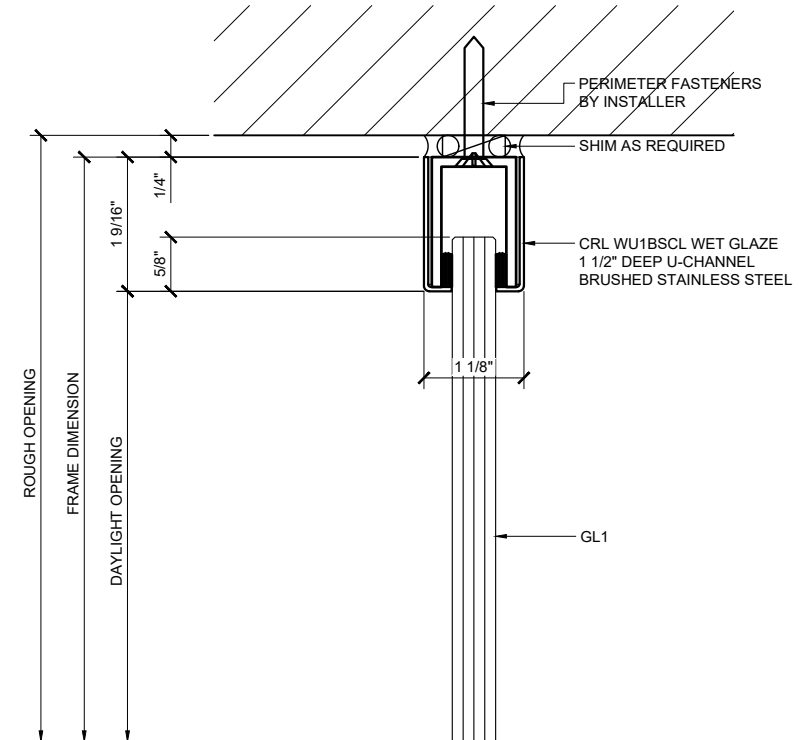
① TRANSOM HEAD DETAIL
ARCH REF: 1'-0"=1'-0"



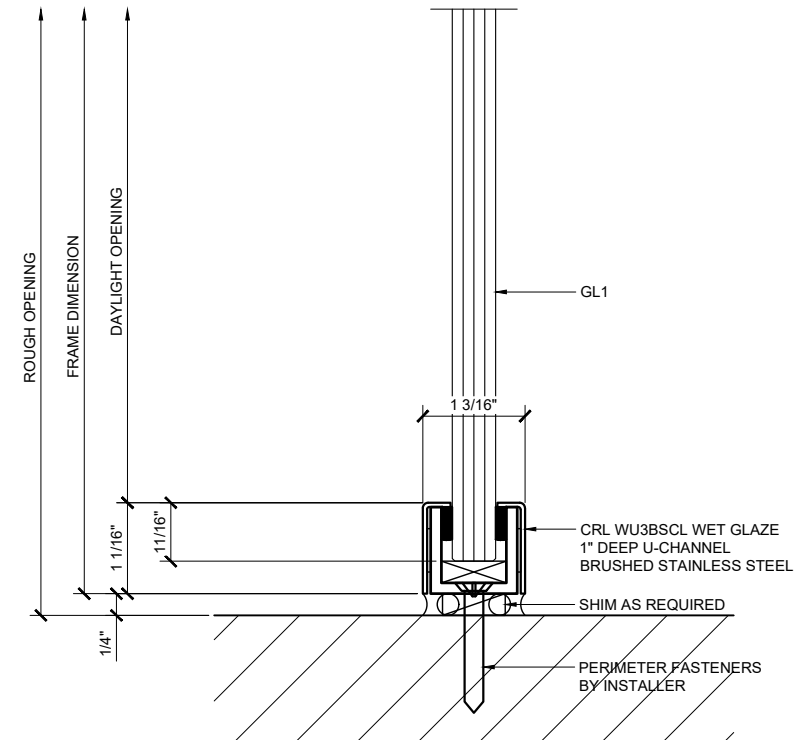
② DOOR HEAD AT TRANSOM DETAIL
ARCH REF: 1'-0"=1'-0"



③ DOOR SILL DETAIL
ARCH REF: 1'-0"=1'-0"



④ SIDELITE HEAD DETAIL
ARCH REF: 1'-0"=1'-0"



⑤ SIDELITE SILL DETAIL
ARCH REF: 1'-0"=1'-0"

Revisions By:

CRL.

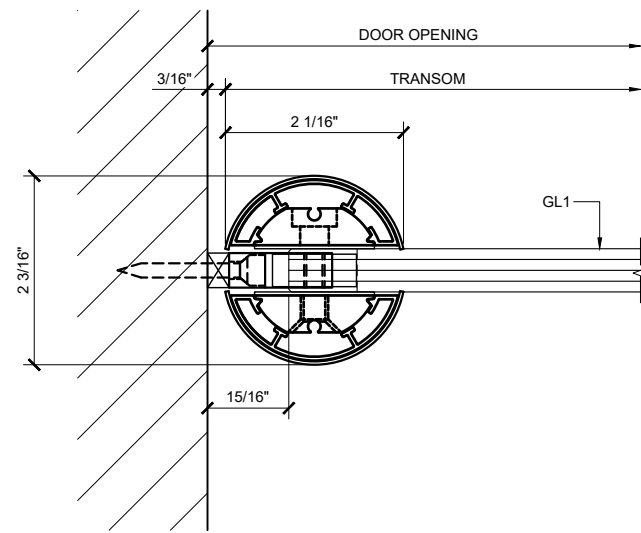
2503 E. Vernon Avenue, Los Angeles, C.A. 90058-1897
PH: (800)-421-6144 FAX: 800-567-7501 www.crlusa.com

Description:
1202 SERIES SWINGING
GLASS DOOR
W/ TRANSOM & W SIDELITE

Drawn By: AAD
Date: 10/21/18
Scale: AS NOTED
File Name: 3-1202 Series Swinging Glass Door with Transom & Sidelite

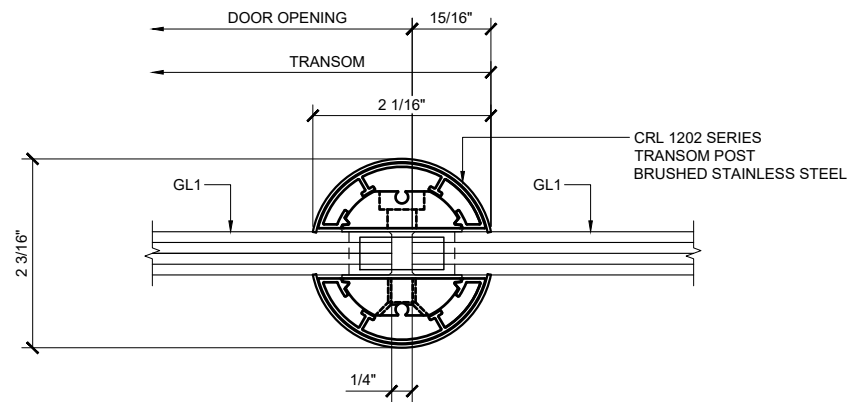
Sheet

2.07



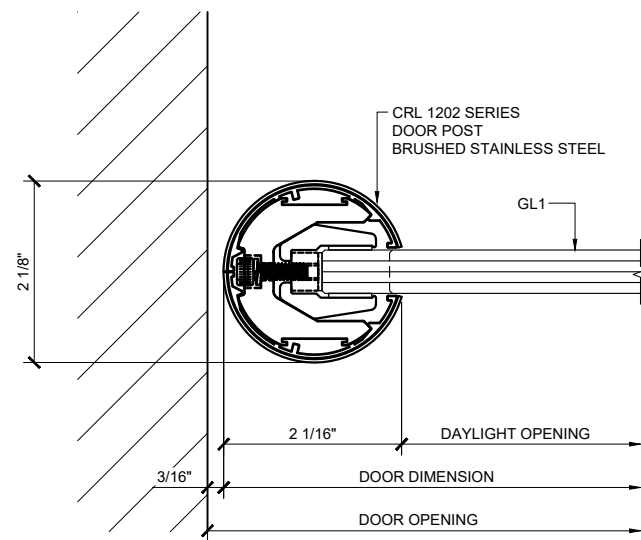
④ TRANSOM POST SECTION AT WALL DETAIL

ARCH REF: 1'-0"=1'-0"



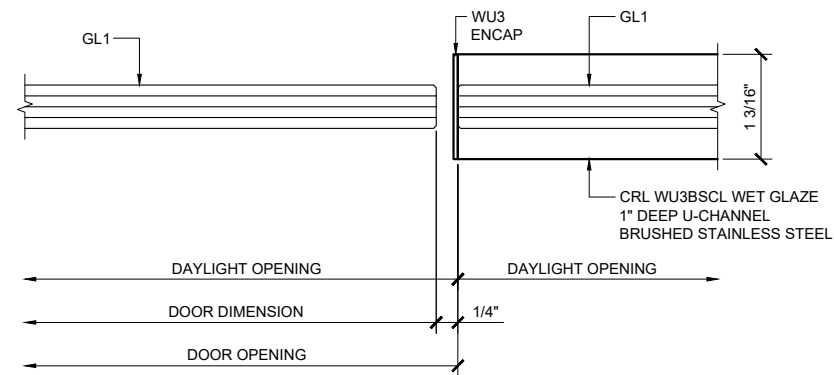
⑤ TRANSOM POST SECTION AT SIDELITE DETAIL

ARCH REF: 1'-0"=1'-0"



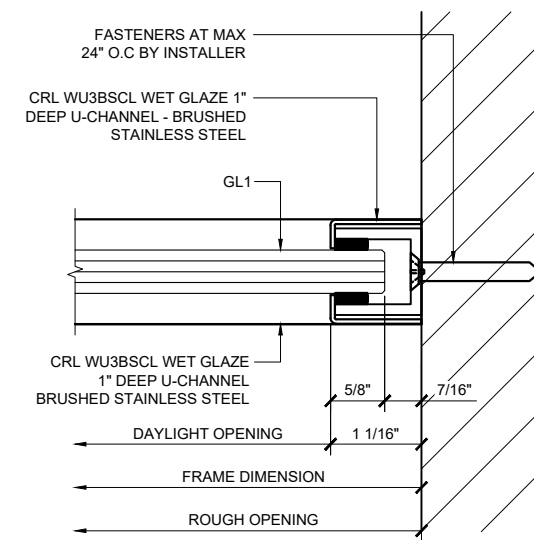
① DOOR PIVOT POST SECTION DETAIL

ARCH REF: 1'-0"=1'-0"



② DOOR JAMB AT SIDELITE

ARCH REF: 1'-0"=1'-0"



③ WALL JAMB DETAIL

ARCH REF: 1'-0"=1'-0"

Revisions By:

CRL.

2503 E. Vernon Avenue, Los Angeles, CA 90058-1897
 PH: (800)-421-6144 FAX: 800-587-7501 www.crlusa.com

Description:
 1202 SERIES SWINGING
 GLASS DOOR
 W/ TRANSOM & W SIDELITE

Drawn By: AAD

Date: 10/21/18

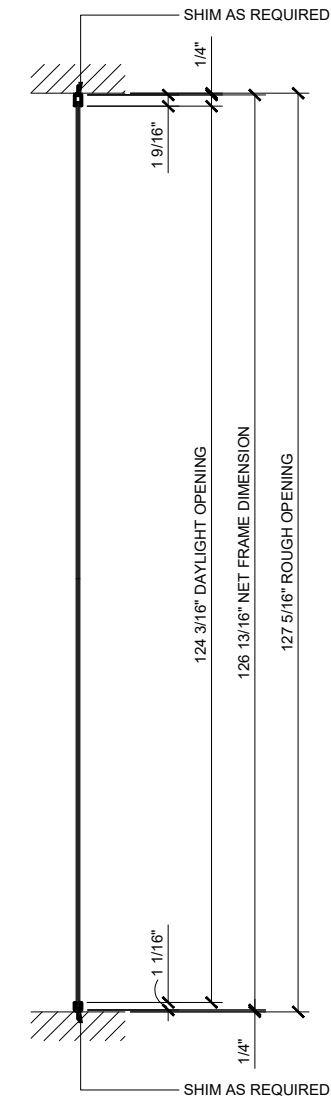
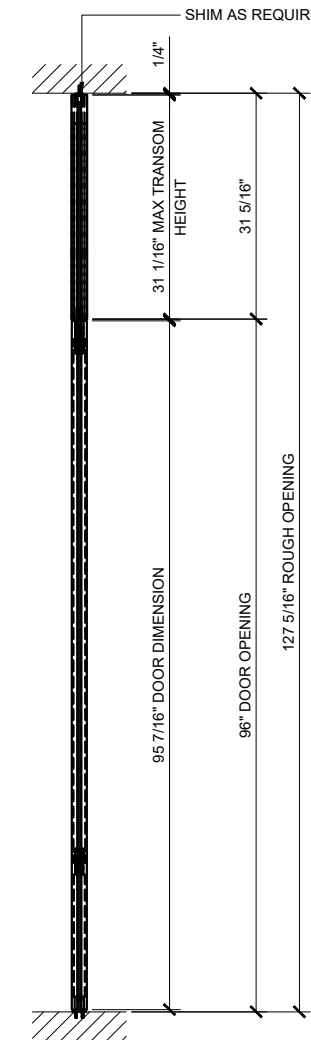
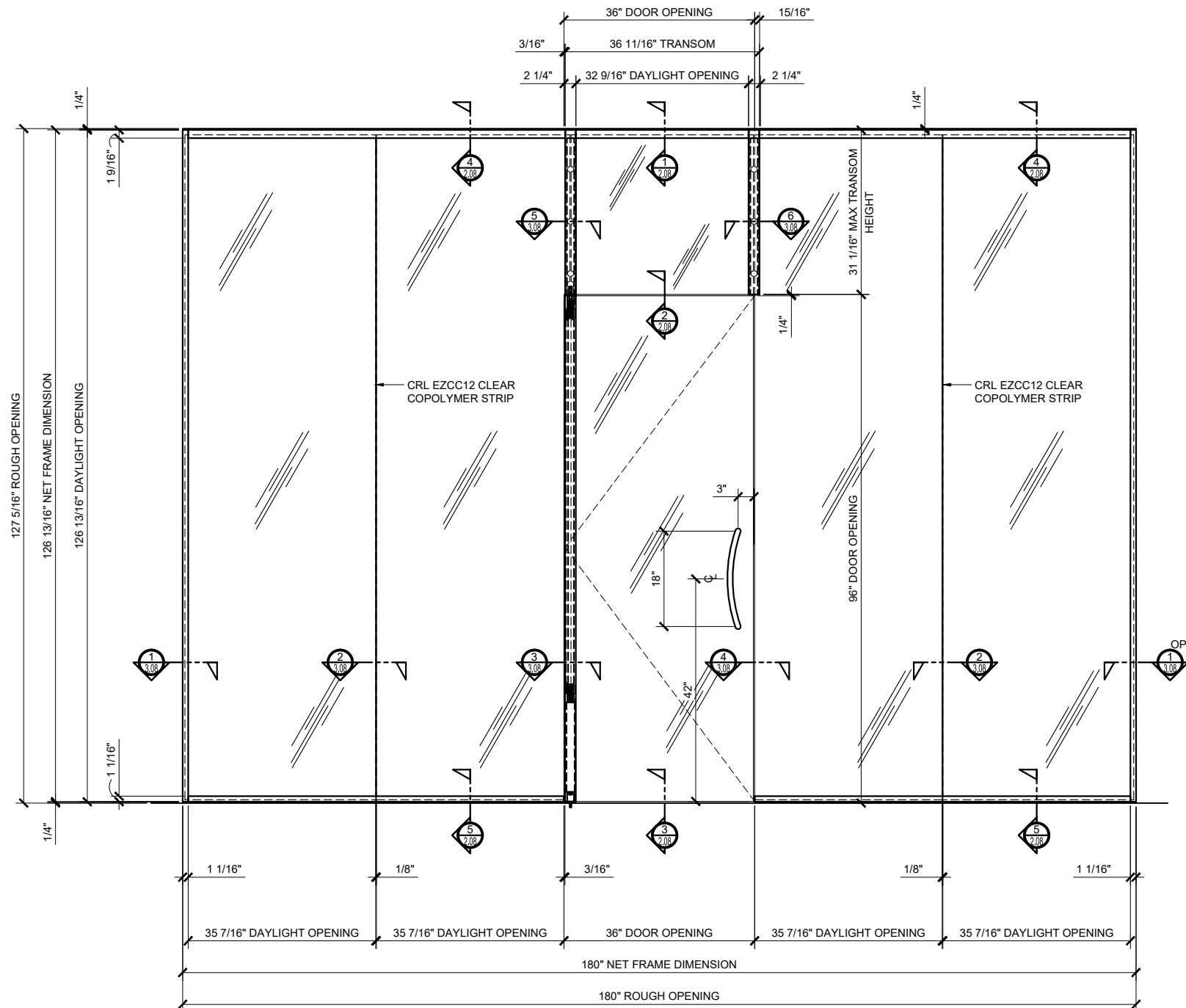
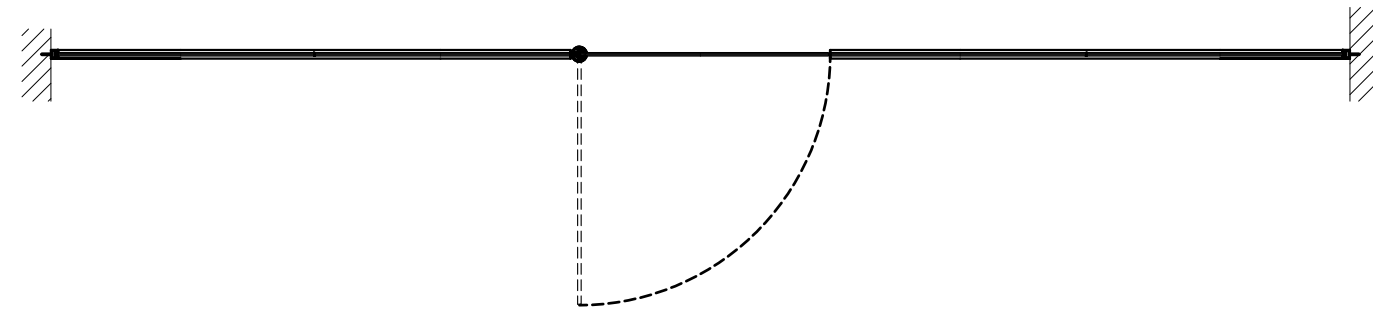
Scale: AS NOTED

File Name: 3-1202 Series Swinging
 Glass Door with Transom & Sidelite

Sheet

3.07

1202 SERIES SWINGING SINGLE GLASS DOORS - WITH SIDELITES & TRANSOM



Revisions By:

CRL.

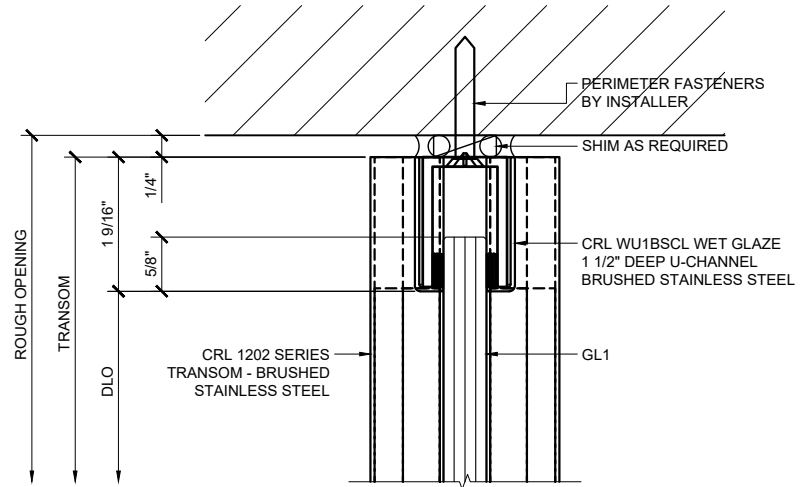
2503 E. Vernon Avenue, Los Angeles, CA 90058-1897
PH: (800)-421-6144 FAX: 800-587-7501 www.crdurence.com

Description:
1202 SERIES SWINGING
GLASS DOOR
W/ TRANSOM & W SIDELITE

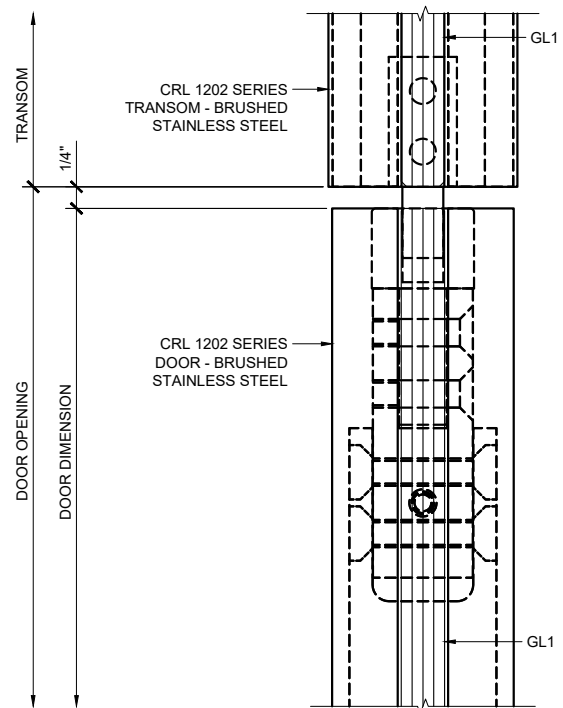
Drawn By: AAD
Date: 10/21/18
Scale: AS NOTED
File Name: 3-1202 Series Swinging Glass Door with Transom & Sidlite

Sheet

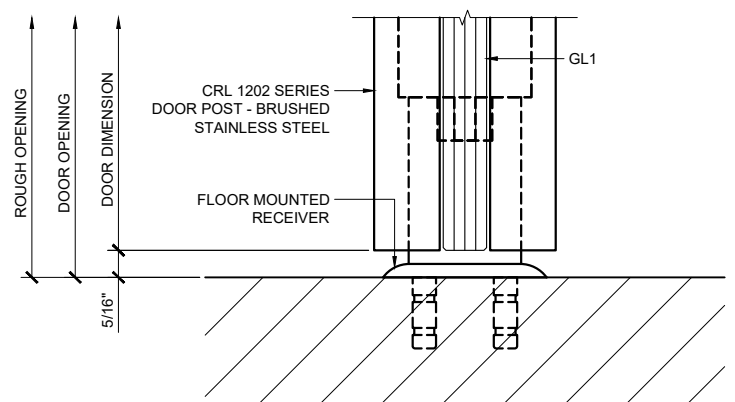
1.08



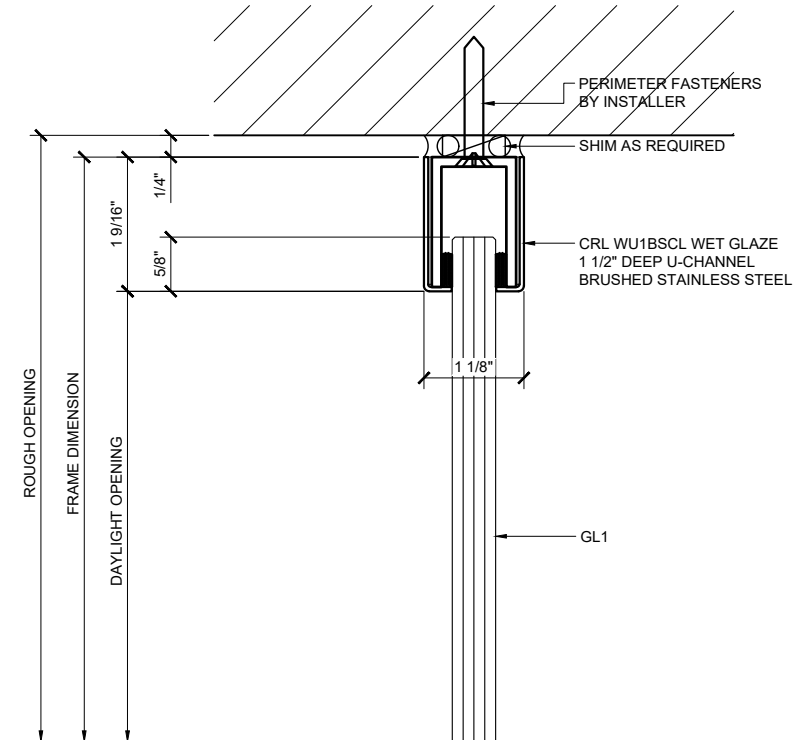
① TRANSOM HEAD DETAIL
 ARCH REF: 1'-0"=1'-0"



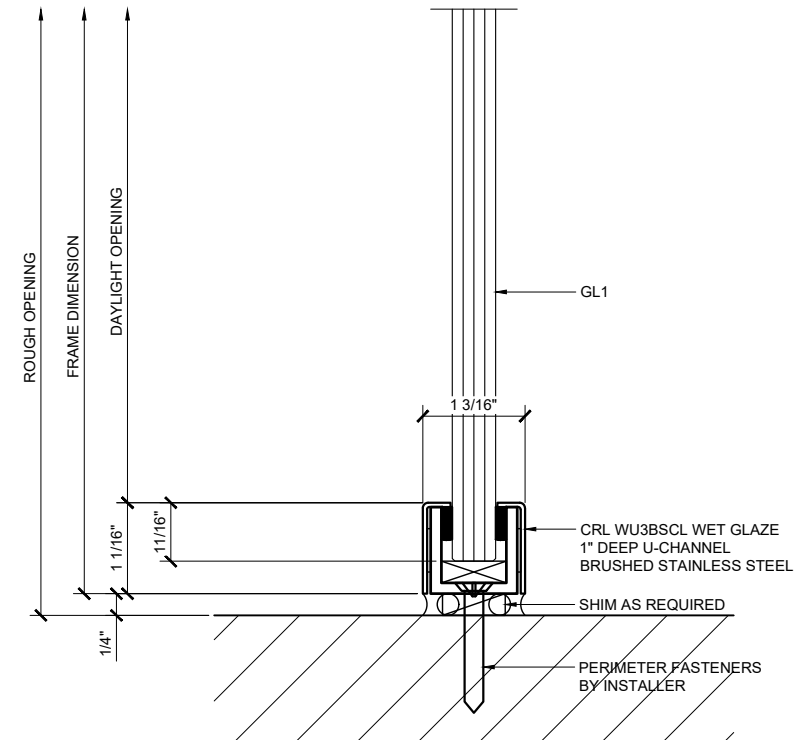
② DOOR HEAD AT TRANSOM DETAIL
 ARCH REF: 1'-0"=1'-0"



③ DOOR SILL DETAIL
 ARCH REF: 1'-0"=1'-0"



④ SIDELITE HEAD DETAIL
 ARCH REF: 1'-0"=1'-0"



⑤ SIDELITE SILL DETAIL
 ARCH REF: 1'-0"=1'-0"

Revisions By:

CRL.

2503 E. Vernon Avenue, Los Angeles, CA 90058-1897
 PH: (800)-421-6144 FAX: 800-567-7501 www.crlusa.com

Description:
 1202 SERIES SWINGING
 GLASS DOOR
 W/ TRANSOM & W SIDELITE

Drawn By: AAD
 Date: 10/21/18
 Scale: AS NOTED
 File Name: 3-1202 Series Swinging Glass Door with Transom & Sidelite

Sheet

2.08

Revisions By:

CRL

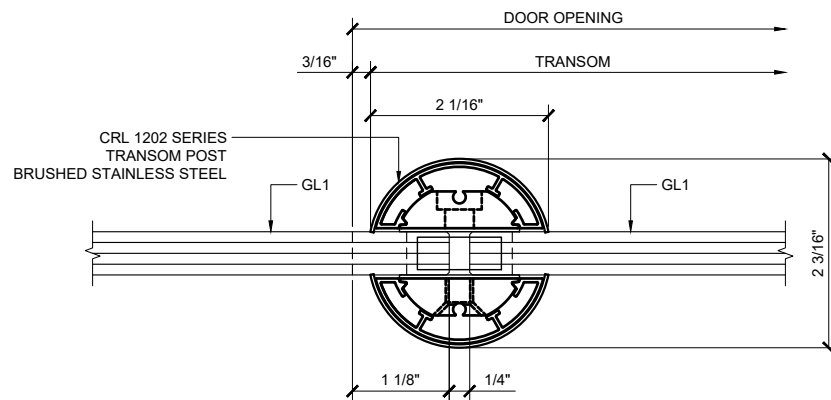
2503 E. Vernon Avenue, Los Angeles, CA 90058-1897
PH: (800)-421-6144 FAX: 800-587-7501 www.crlusa.com

Description:
1202 SERIES SWINGING
GLASS DOOR
W/ TRANSOM & W SIDELITE

Drawn By: AAD
Date: 10/21/18
Scale: AS NOTED
File Name: 3-1202 Series Swinging
Glass Door with Transom & Sidelite

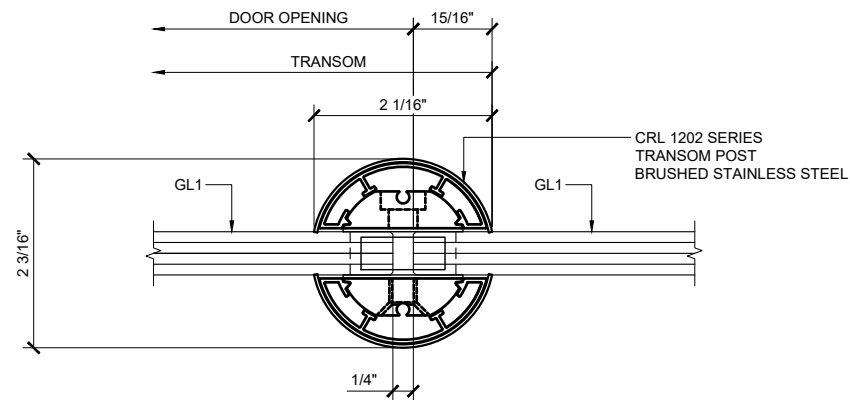
Sheet

3.08



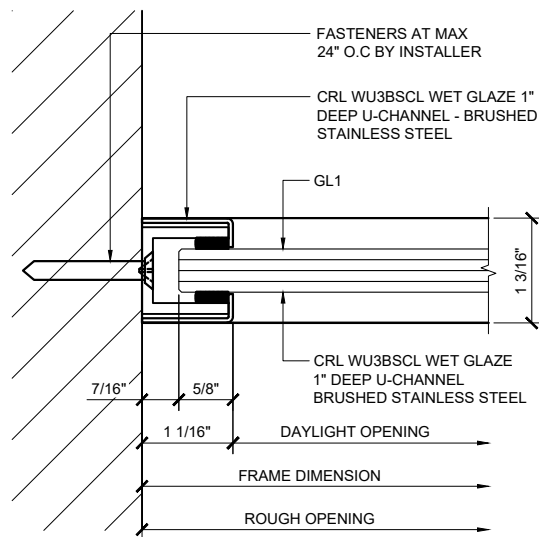
⑤ TRANSOM POST SECTION DETAIL

ARCH REF: 1'-0"=1'-0"



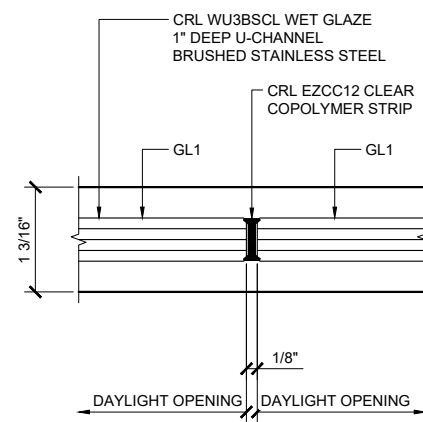
⑥ TRANSOM POST SECTION DETAIL

ARCH REF: 1'-0"=1'-0"



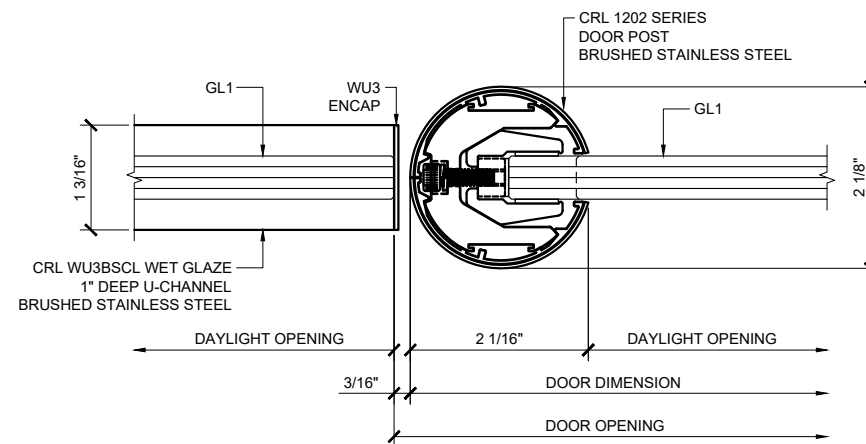
① WALL JAMB DETAIL

ARCH REF: 1'-0"=1'-0"



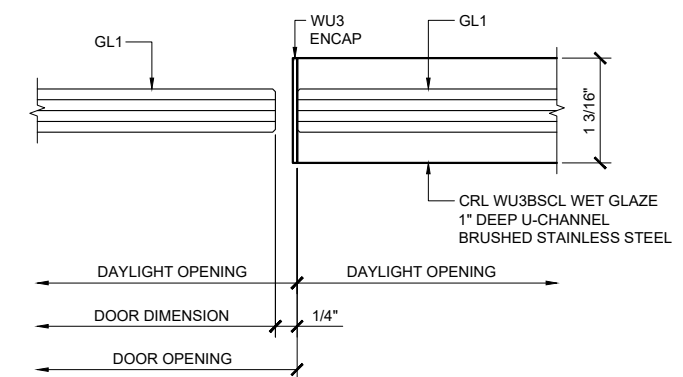
② GLASS JOINT

ARCH REF: 1'-0"=1'-0"



③ DOOR PIVOT POST SECTION DETAIL

ARCH REF: 1'-0"=1'-0"



④ DOOR JAMB AT SIDELITE

ARCH REF: 1'-0"=1'-0"