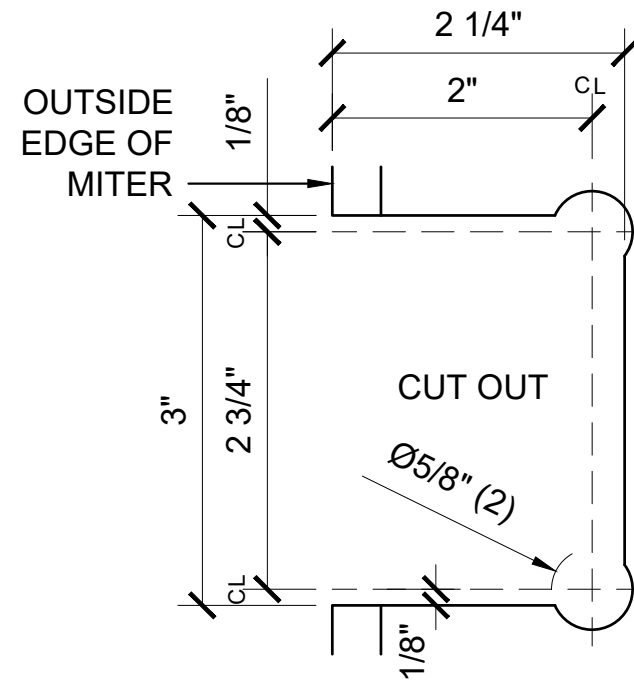
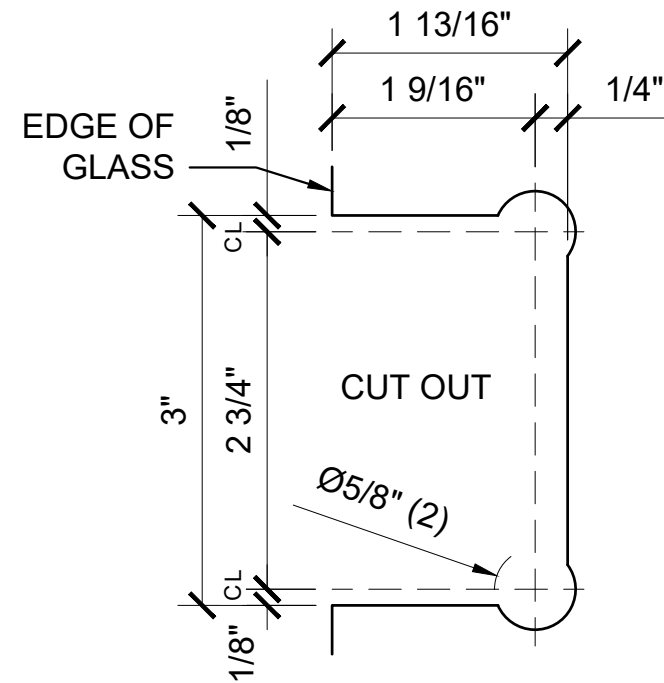


USE OF GASKETS

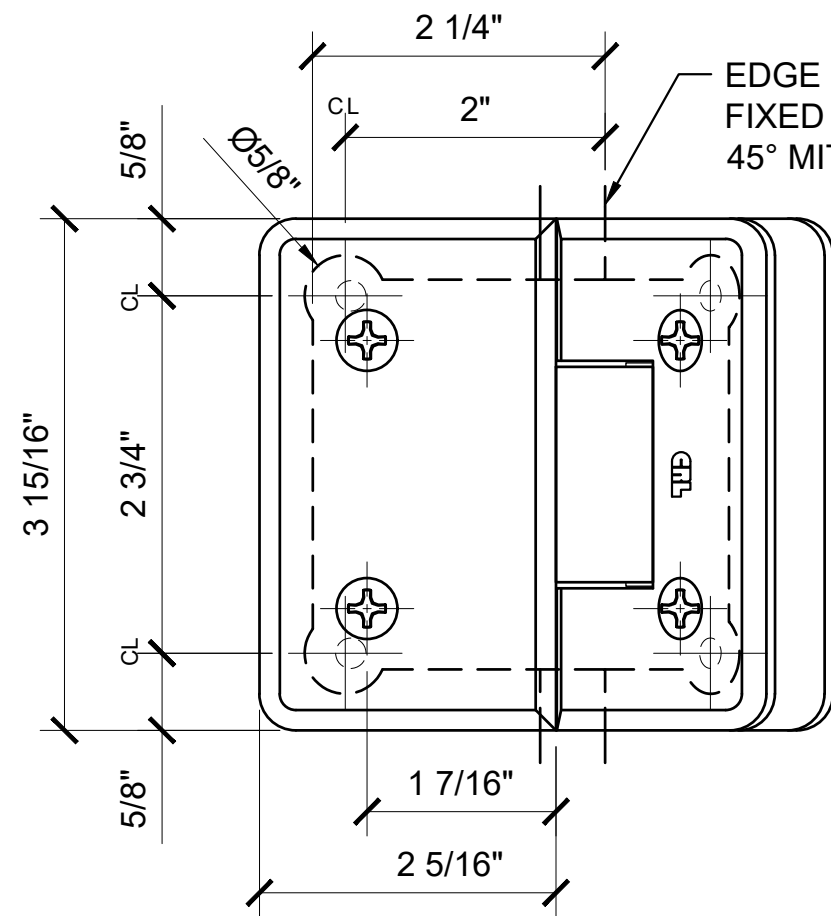
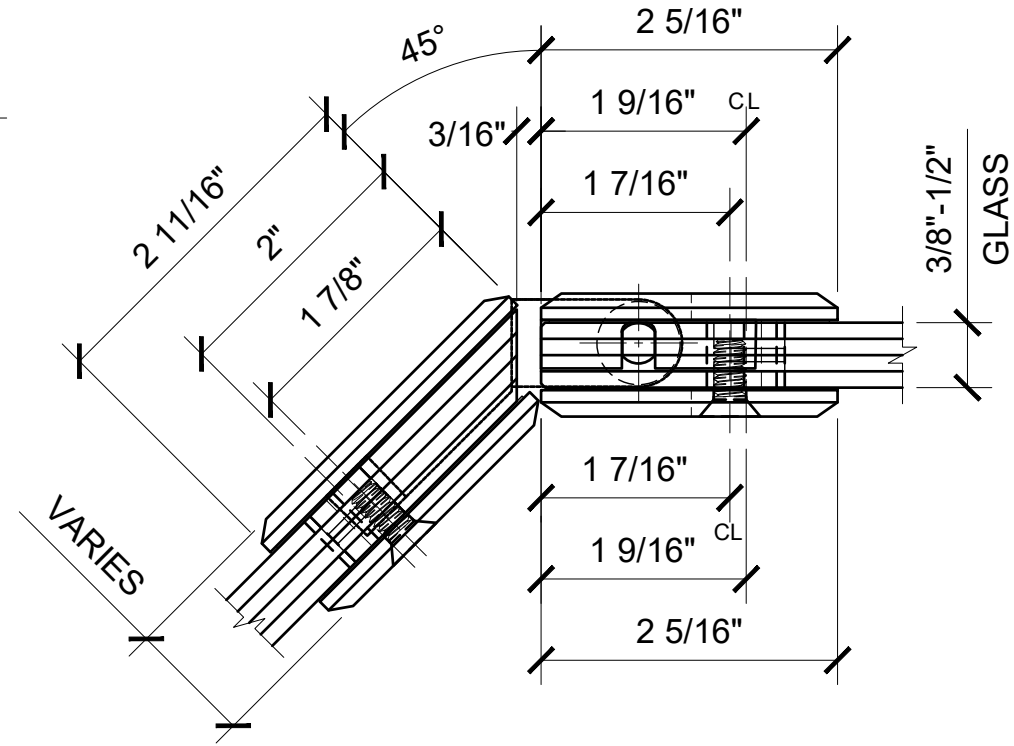
FOR 3/8" (10mm) GLASS: USE ONE THICK GASKET ON EACH SIDE  
 FOR 1/2" (12mm) GLASS: USE ONE THIN GASKET ON EACH SIDE



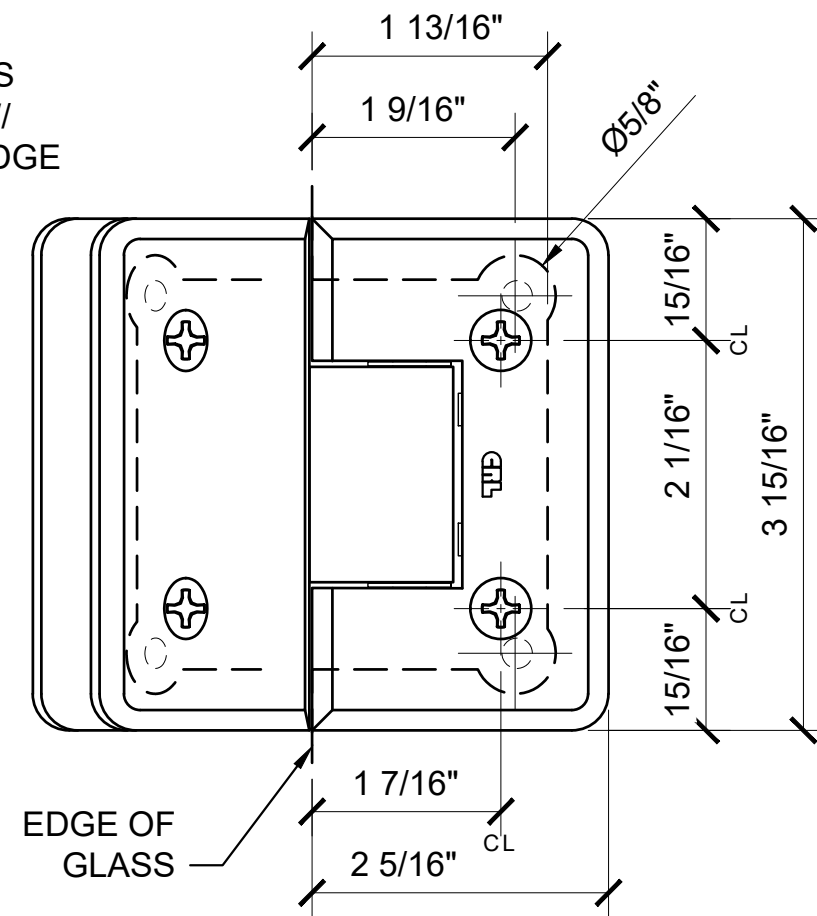
FIXED PANEL TEMPLATE



DOOR TEMPLATE



EDGE OF GLASS  
 FIXED PANEL W/  
 45° MITERED EDGE



EDGE OF GLASS

C0L045XX - CRL COLOGNE SERIES 135° GLASS TO GLASS HINGE

DATE: 11/30/17  
 SCALE: 6"=1'-0"  
 DRAWN BY: VM

DESCRIPTION: CRL C0L045\_\_  
 CTS  
 COLOGNE SERIES  
 135° GLASS TO GLASS HINGE

C.R. LAURENCE CO. ARCHITECTURAL PRODUCTS  
 2503 E. Vernon Avenue, Los Angeles, CA 90058-1897  
 PH (800)-421-6144 FX: 800-587-7501 www.crlaurence.com

