



**CRL BALANCER SERIES BALANCED DOOR
ALUMINUM ALL GLASS WITH CONCEALED SHAFT**

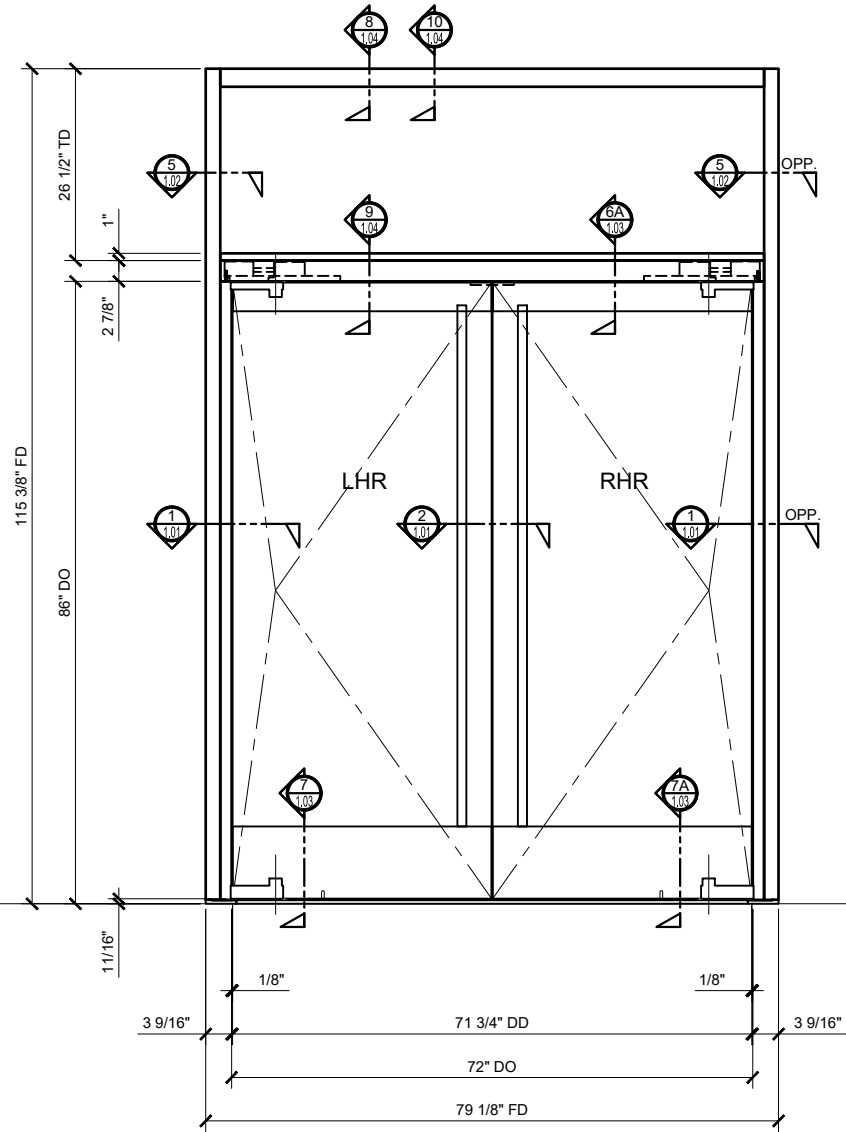
STRUCTURAL DISCLAIMER:

ALL CUSTOMERS WHO IN ANY WAY UTILIZE THIS PRODUCT ARE SOLELY RESPONSIBLE TO CONSULT A STRUCTURAL ENGINEER TO DETERMINE THE SUITABILITY OF THE PRODUCT FOR THE INTENDED USE AND SITE CONDITIONS. ALL INSTALLERS MUST BE QUALIFIED AND HAVE PROFESSIONAL KNOWLEDGE ABOUT COMPLIANCE WITH LOCAL, STATE AND FEDERAL REGULATIONS, SAFETY FACTORS, AND THE APPROPRIATE CHOICE OF FIXING MATERIAL AND PROCEDURES.

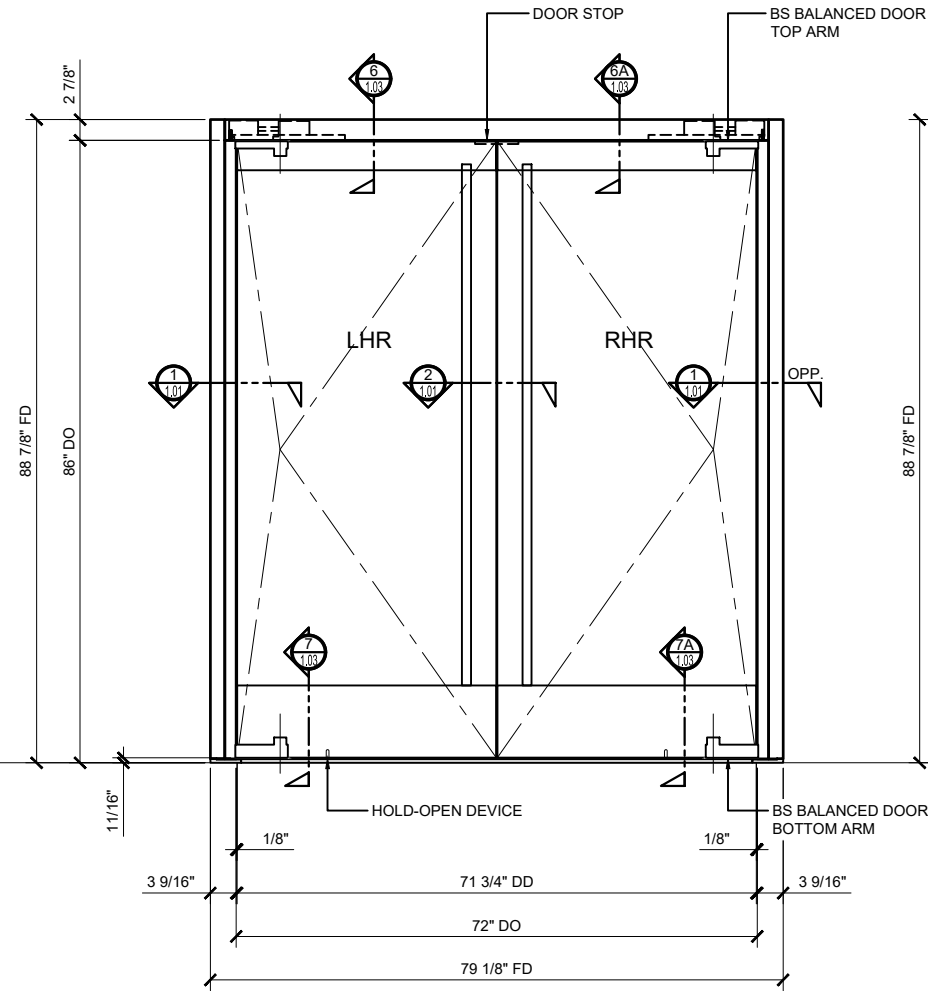
Revisions By:



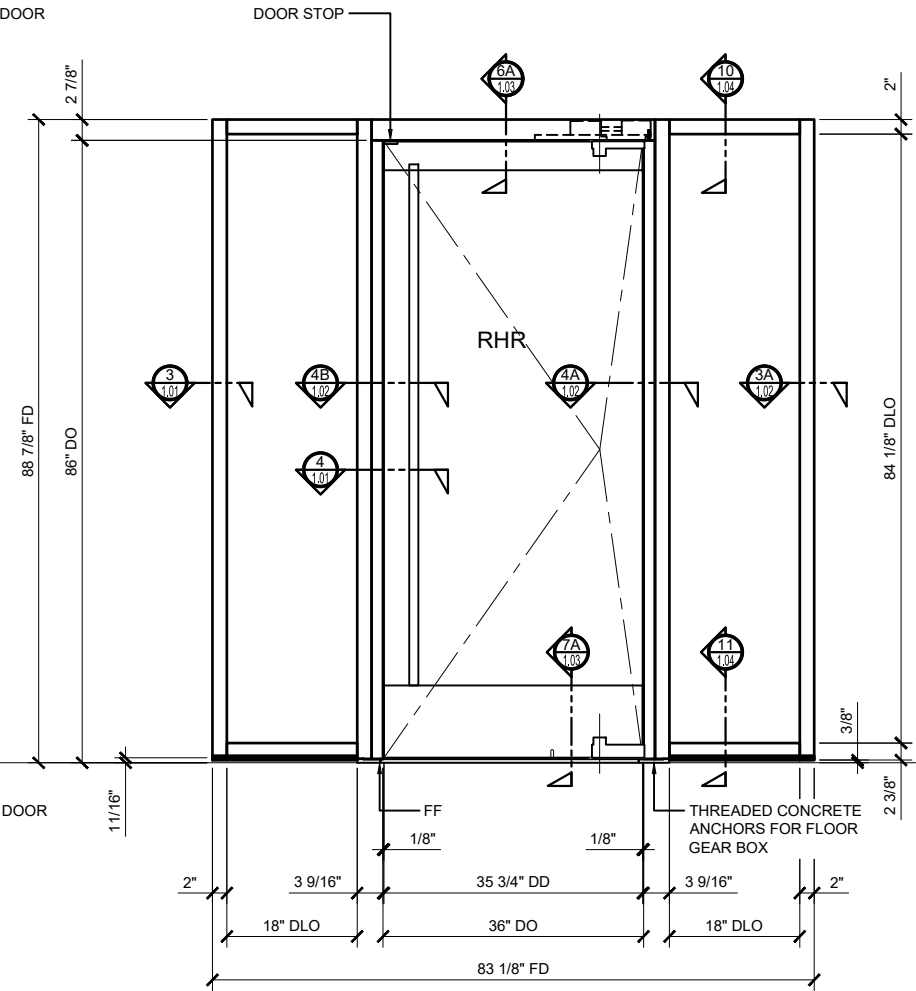
2503 E. Vernon Avenue, Los Angeles, CA 90058-1897
PH (800)-421-6144 FX: 800-587-7501 www.crlaurence.com



**CRL BALANCER SERIES BALANCED DOOR
ALUMINUM ALL GLASS WITH CONCEALED SHAFT
PAIR DOORS WITH TRANSOM ELEVATION**

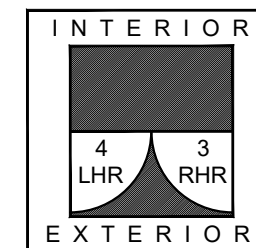


**CRL BALANCER SERIES BALANCED DOOR
ALUMINUM ALL GLASS WITH CONCEALED SHAFT
PAIR DOORS ELEVATION**



**CRL BALANCER SERIES BALANCED DOOR
ALUMINUM ALL GLASS WITH CONCEALED SHAFT
SINGLE DOOR WITH SIDELITE ELEVATION**

DOOR SWING CHART



STANDARD ABBREVIATIONS

RO	ROUGH OPENING
FD	FRAME DIMENSION
DLO	DAYLIGHT OPENING
DO	DOOR OPENING
DD	DOOR DIMENSION
TD	TRANSOM DIMENSION
FF	FLOOR FIDDING

Description:
CRL BALANCER SERIES
BALANCED DOOR
ALUMINUM ALL GLASS

Drawn By: TGM
Date: 11/15/18
Scale: AS NOTED
File Name: BS BD - ALUM ALL GLASS.dwg

Sheet

Revisions By:

CRL

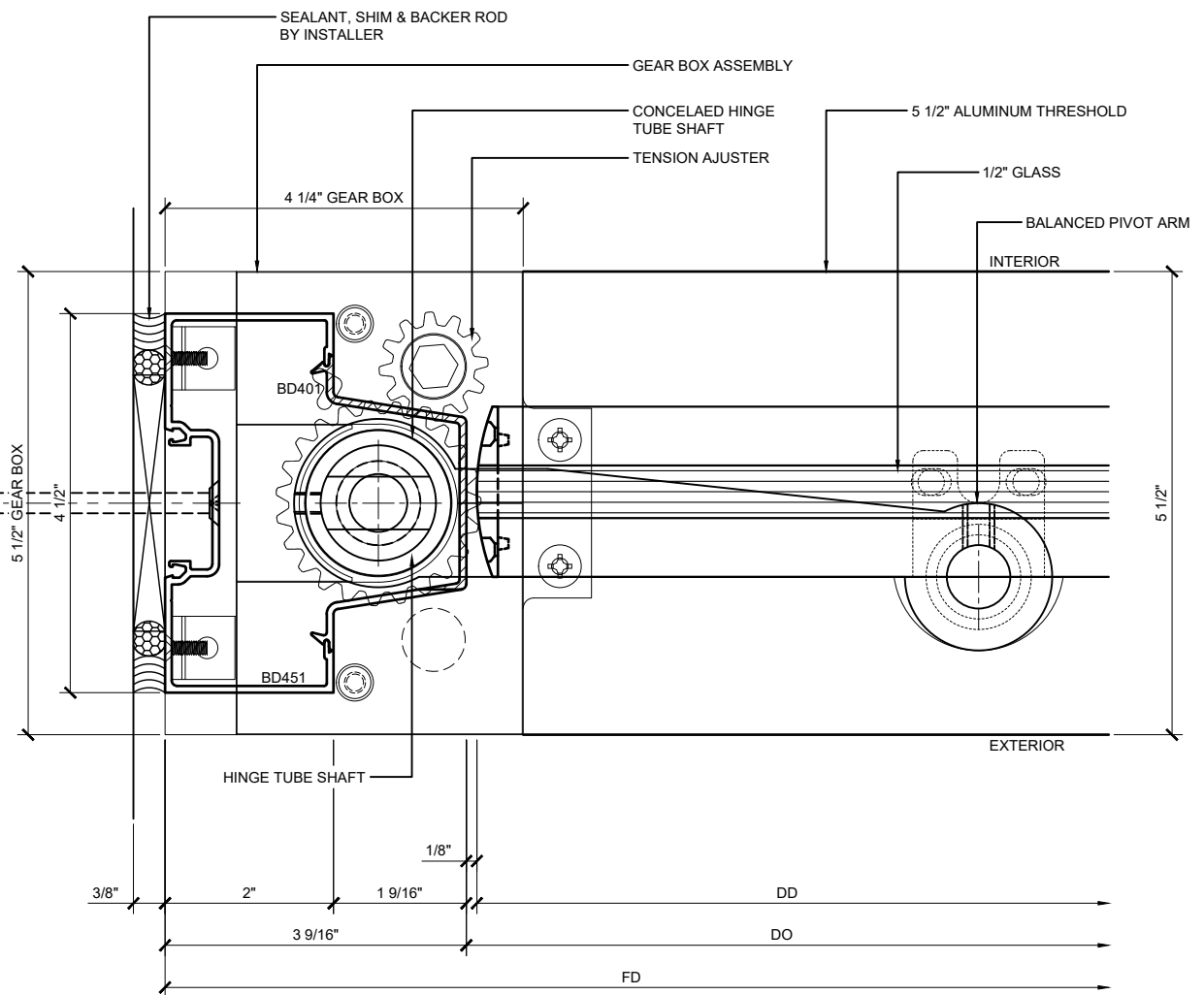
2503 E. Vernon Avenue, Los Angeles, CA 90058-1897
PH (800)-421-6144 FX: 800-587-7501 www.crlaurence.com

Description:
CRL BALANCER SERIES
BALANCED DOOR
ALUMINUM ALL GLASS

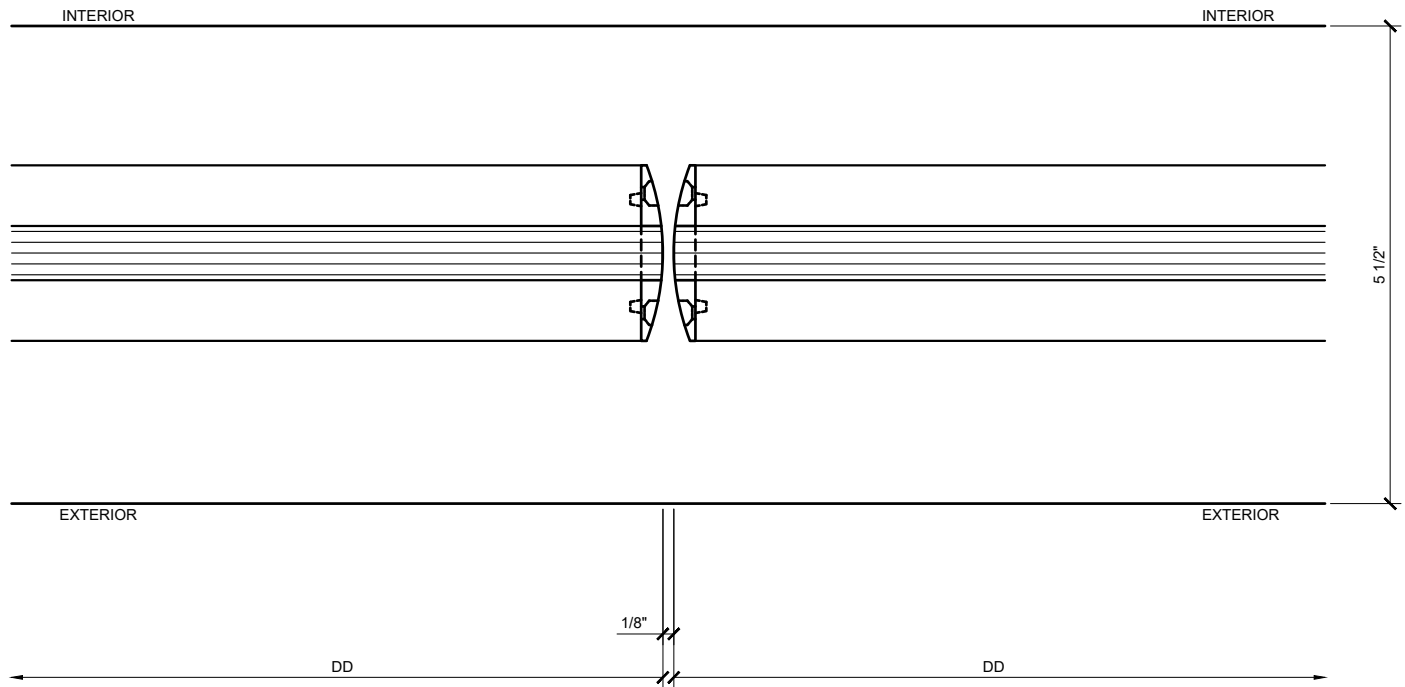
Drawn By: TGM
Date: 11/15/18
Scale: AS NOTED
File Name:
BS BD - ALUM ALL GLASS.dwg

Sheet

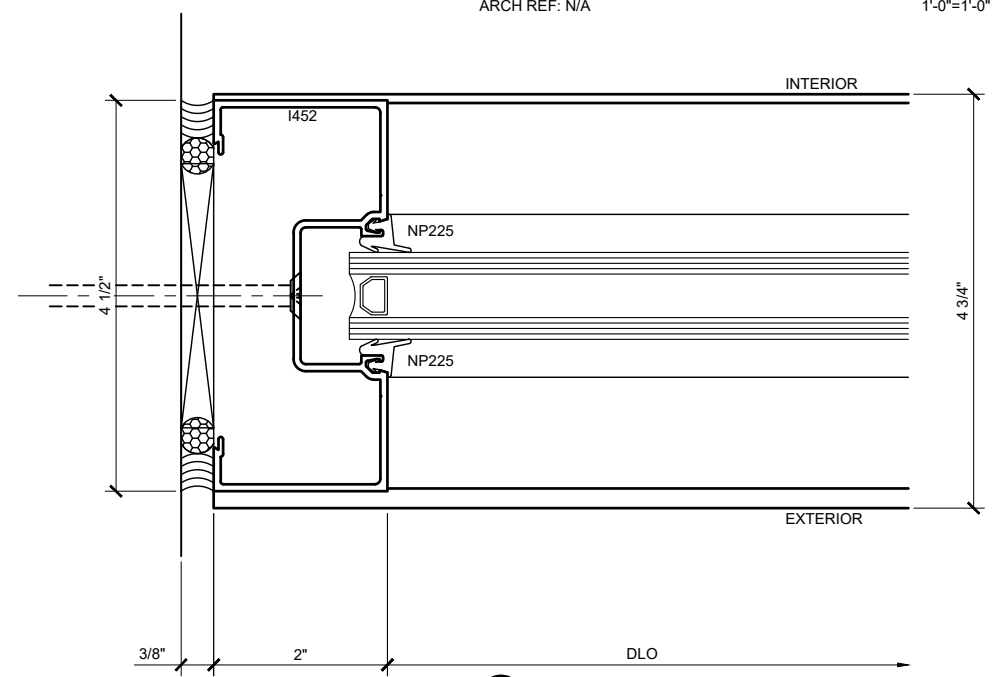
1.01



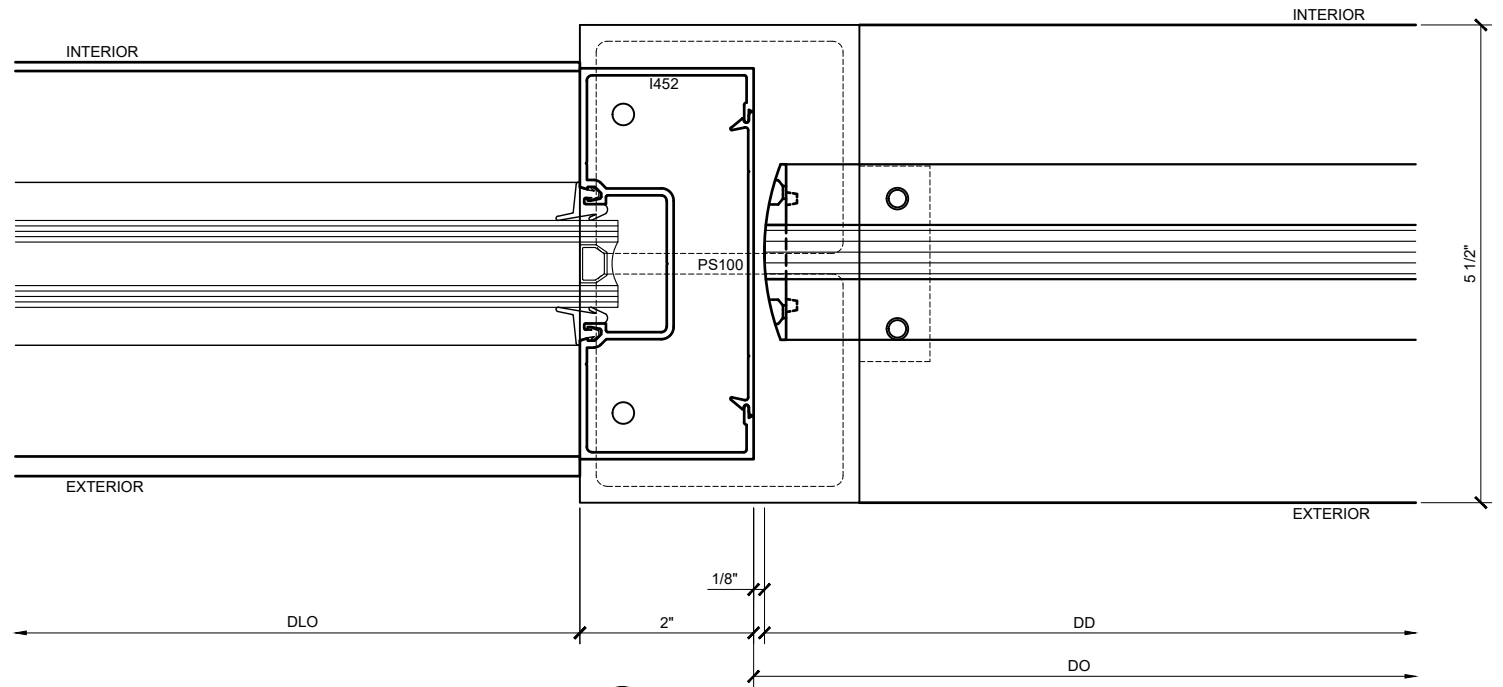
① DOOR PIVOT JAMB DETAIL
ARCH REF: N/A 1'-0"=1'-0"



② MEETING STILES DATAL
ARCH REF: N/A 1'-0"=1'-0"



③ JAMB DETAIL AT SIDELITE
ARCH REF: N/A 1'-0"=1'-0"



④ DOOR STRIKE JAMB AT SIDELITE DETAIL
ARCH REF: N/A 1'-0"=1'-0"

BALANCER SERIES ALUMINUM ALL GLASS BALANCED DOORS DETAILS / 4-1/2" JAMB / CONCEALED SHAFT

Revisions By:

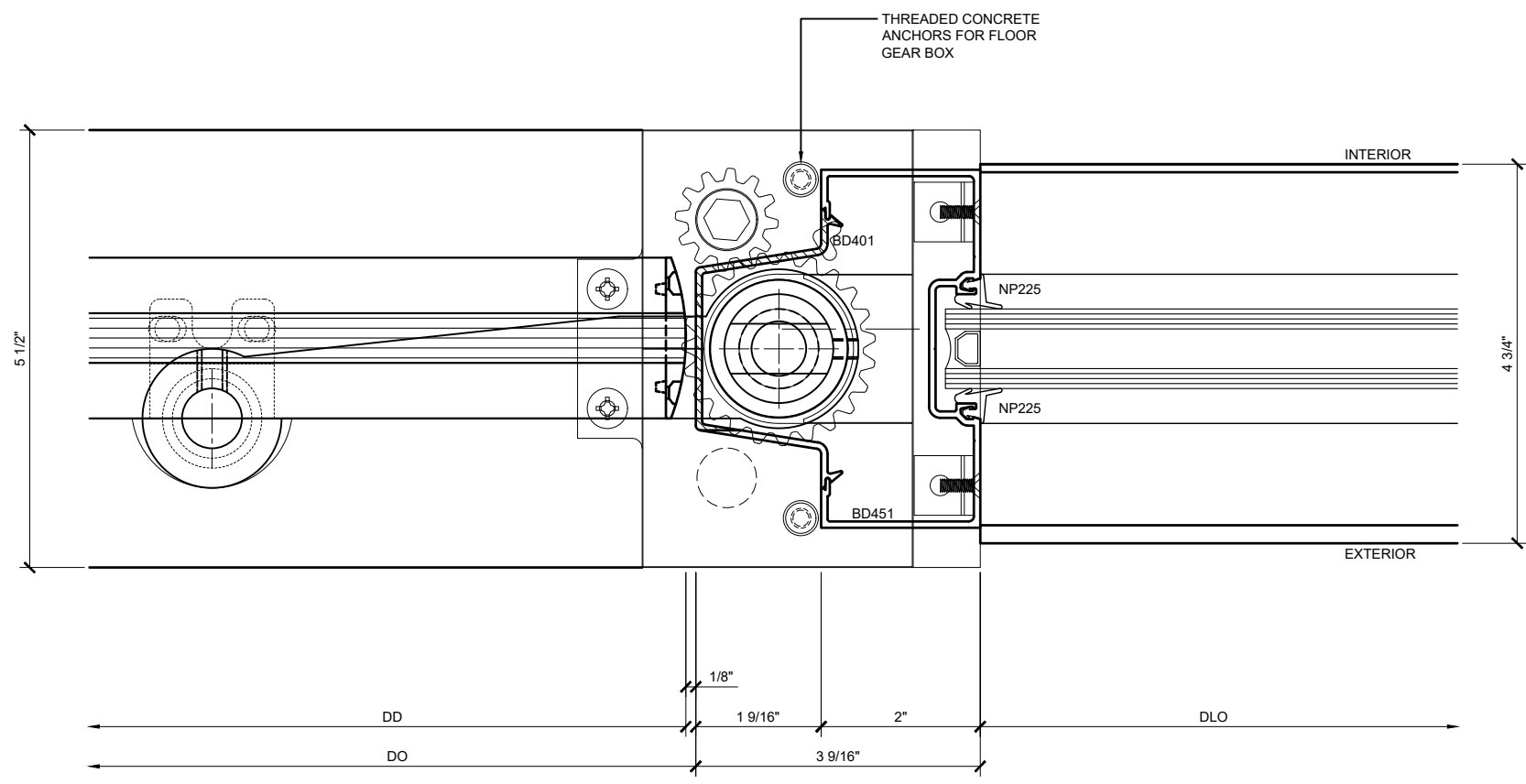
CRL

2503 E. Vernon Avenue, Los Angeles, CA 90058-1897
PH (800)-421-6144 FX: 800-587-7501 www.crlaurence.com

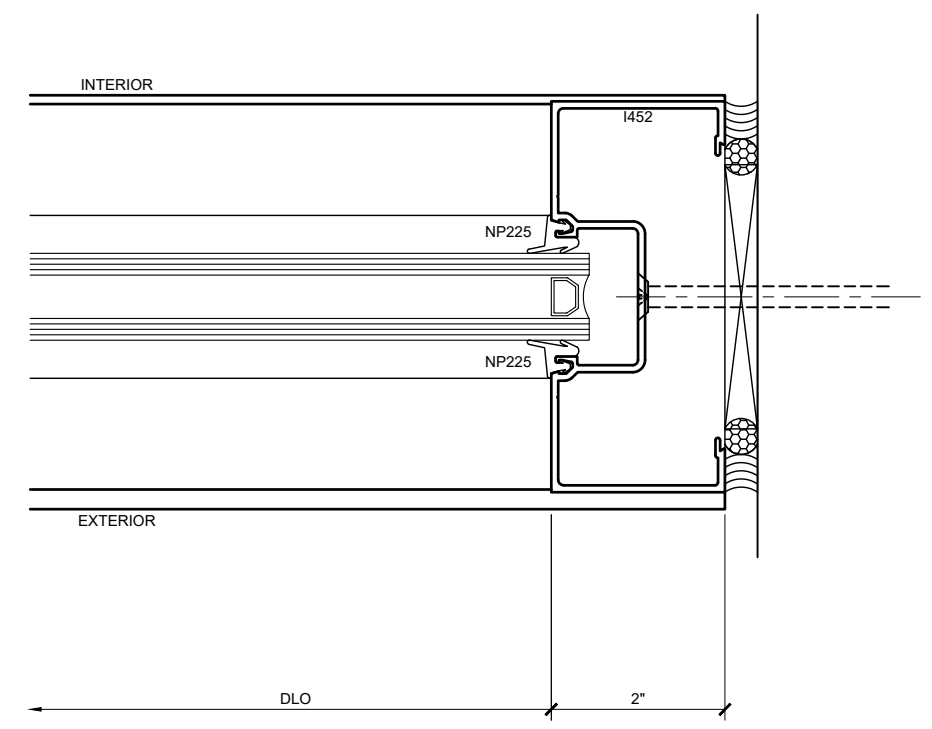
Description:
CRL BALANCER SERIES
BALANCED DOOR
ALUMINUM ALL GLASS

Drawn By: TGM
Date: 11/15/18
Scale: AS NOTED
File Name:
BS BD - ALUM ALL GLASS.dwg
Sheet

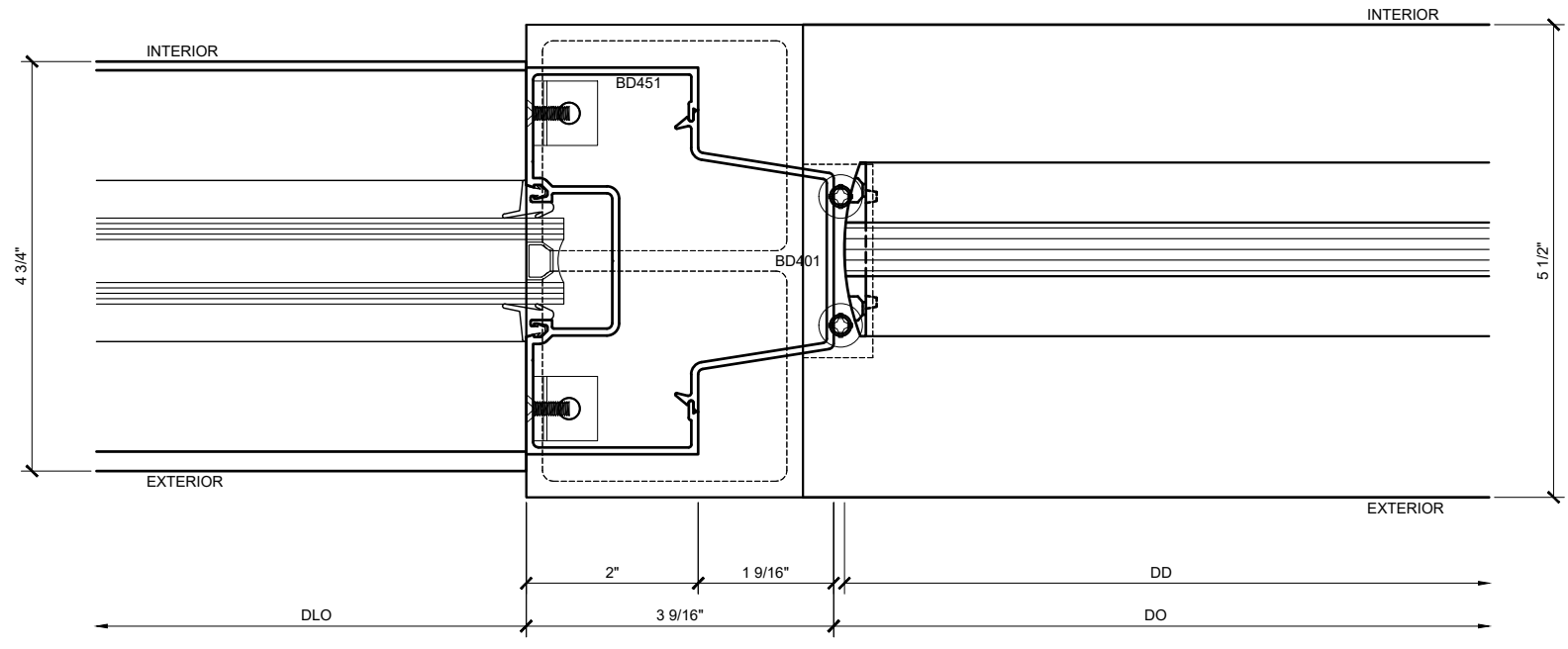
1.02



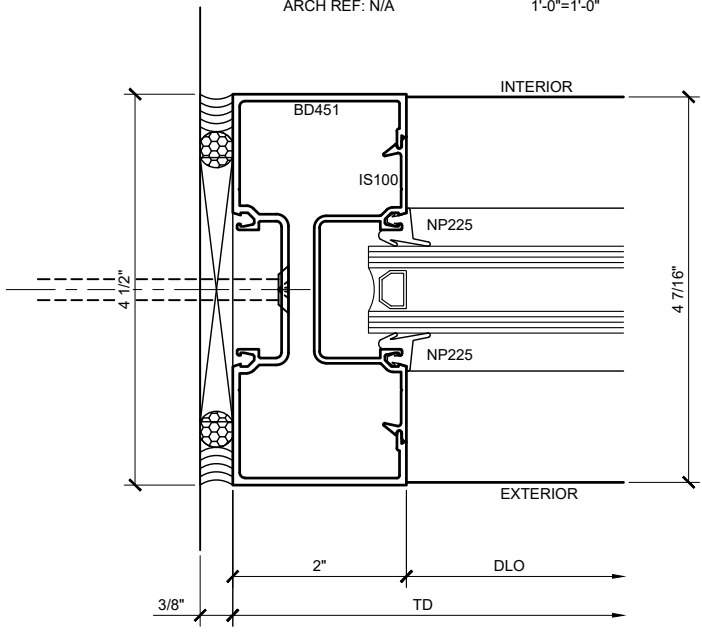
4A DOOR PIVOT JAMB SIDELITE DETAIL
ARCH REF: N/A 1'-0\"/>



3A JAMB DETAIL
ARCH REF: N/A 1'-0\"/>

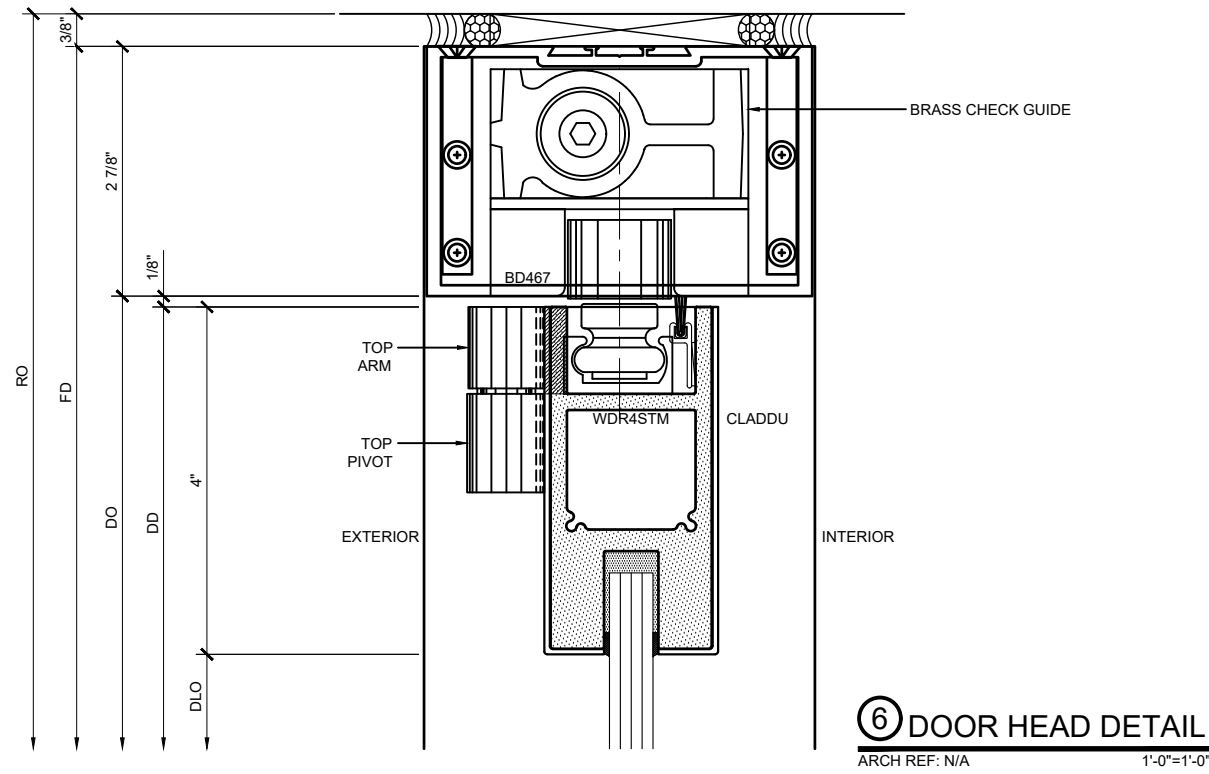


4B DOOR STRIKE JAMB AT SIDELITE DETAIL
ARCH REF: N/A 1'-0\"/>

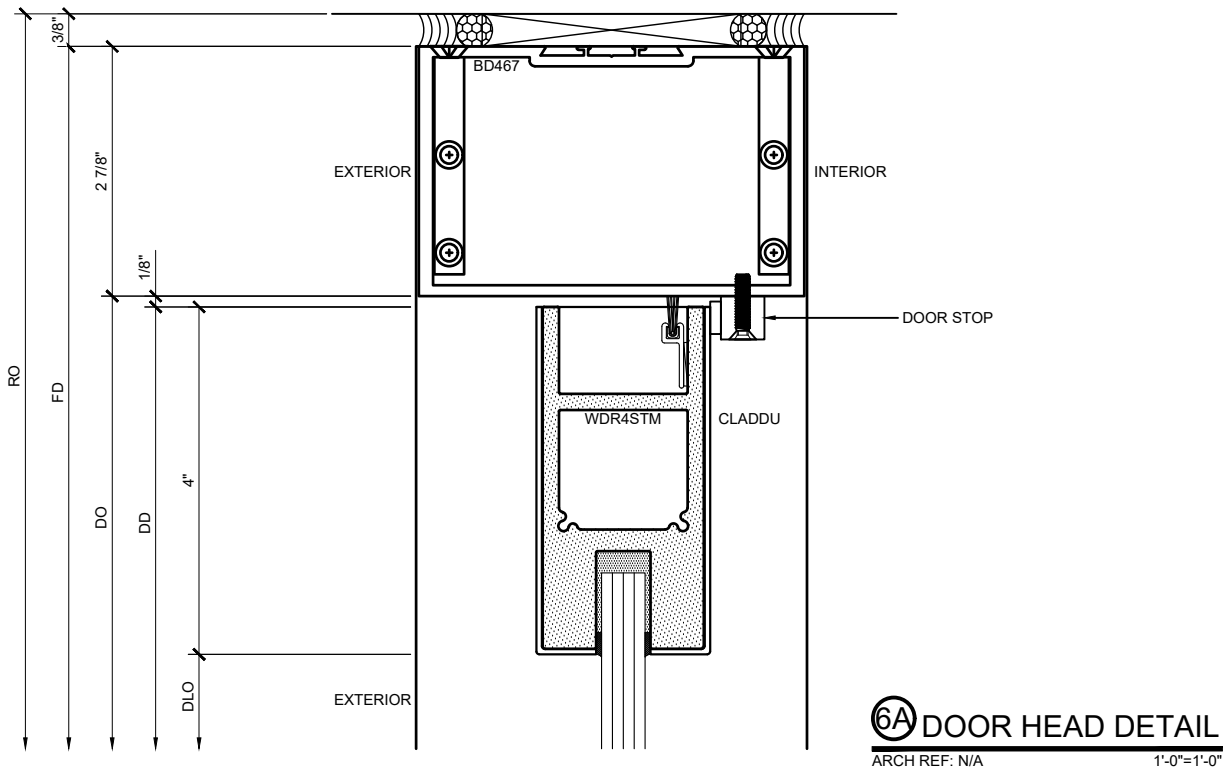


5 TRANSOM DETAIL
ARCH REF: N/A 1'-0\"/>

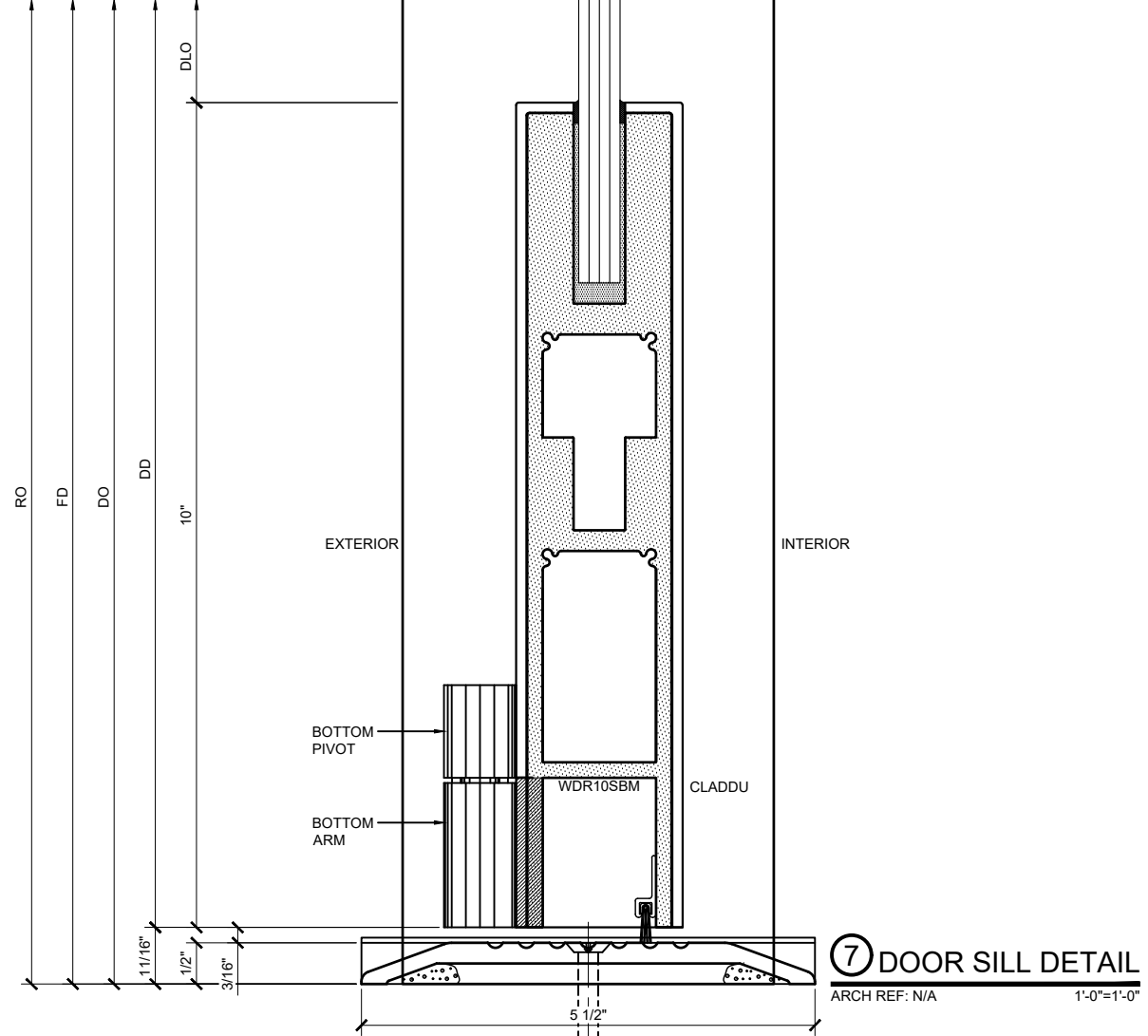
BALANCER SERIES ALUMINUM ALL GLASS BALANCED DOORS DETAILS / 4-1/2\"/>



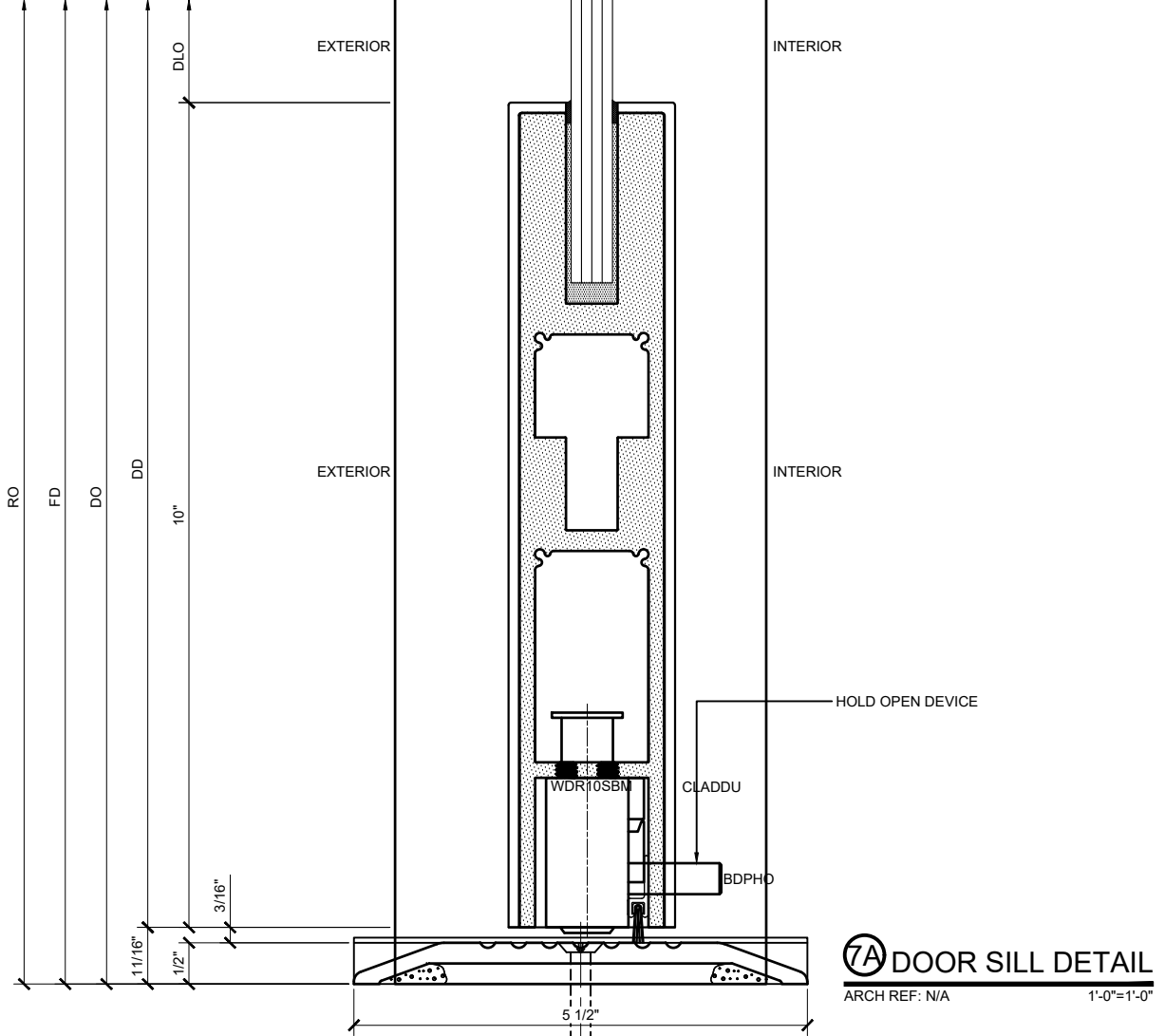
6 DOOR HEAD DETAIL
 ARCH REF: N/A 1'-0"=1'-0"



6A DOOR HEAD DETAIL
 ARCH REF: N/A 1'-0"=1'-0"



7 DOOR SILL DETAIL
 ARCH REF: N/A 1'-0"=1'-0"



7A DOOR SILL DETAIL
 ARCH REF: N/A 1'-0"=1'-0"

BALANCER SERIES ALUMINUM ALL GLASS BALANCED DOORS DETAILS / 4-1/2" JAMB / CONCEALED SHAFT

Revisions By:



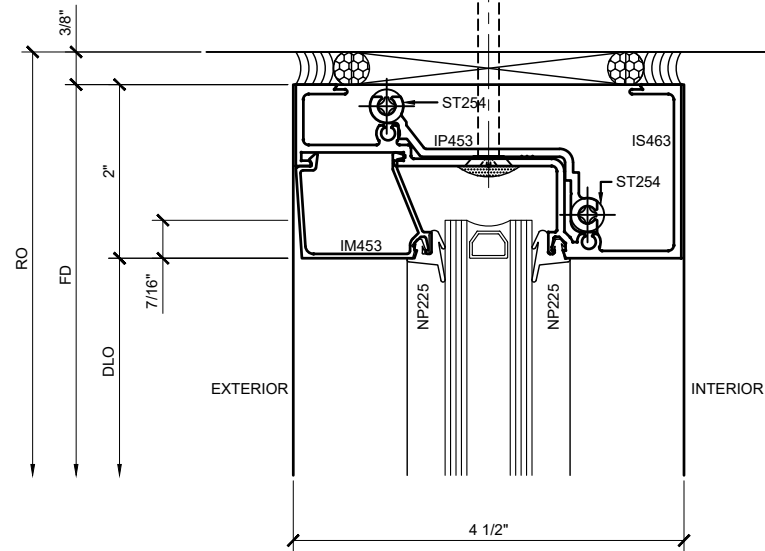
2503 E. Vernon Avenue, Los Angeles, CA 90058-1897
 PH (800)-421-6144 FX: 800-587-7501 www.crlaurence.com

Description:
 CRL BALANCER SERIES
 BALANCED DOOR
 ALUMINUM ALL GLASS

Drawn By: TGM
 Date: 11/15/18
 Scale: AS NOTED
 File Name: BS BD - ALUM ALL GLASS.dwg

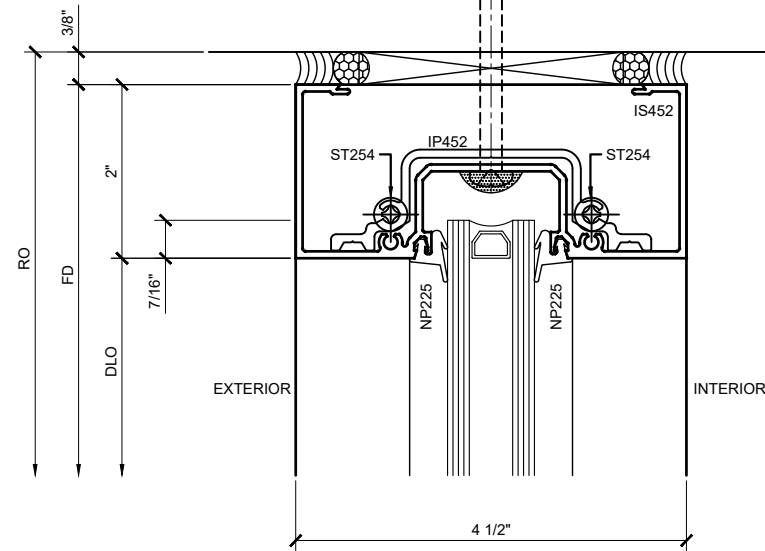
Sheet

1.03



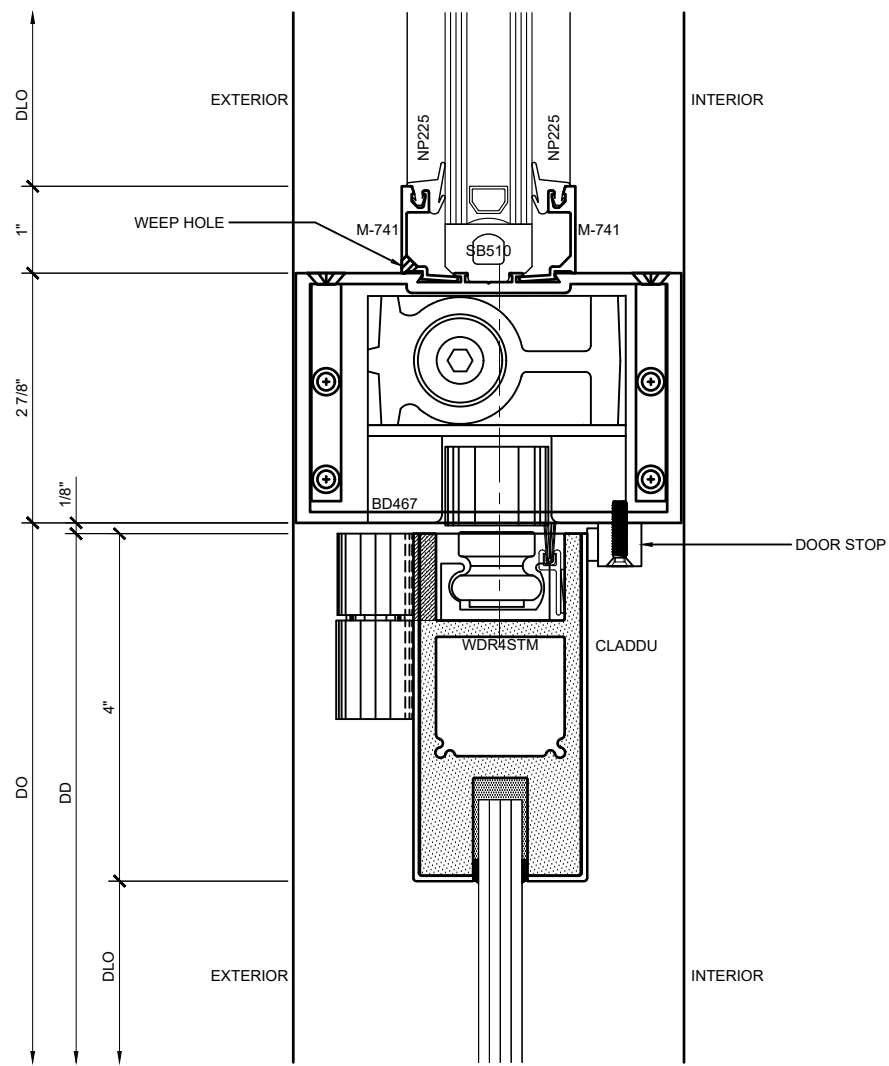
⑧ HEAD DETAIL

ARCH REF: N/A 1'-0"=1'-0"



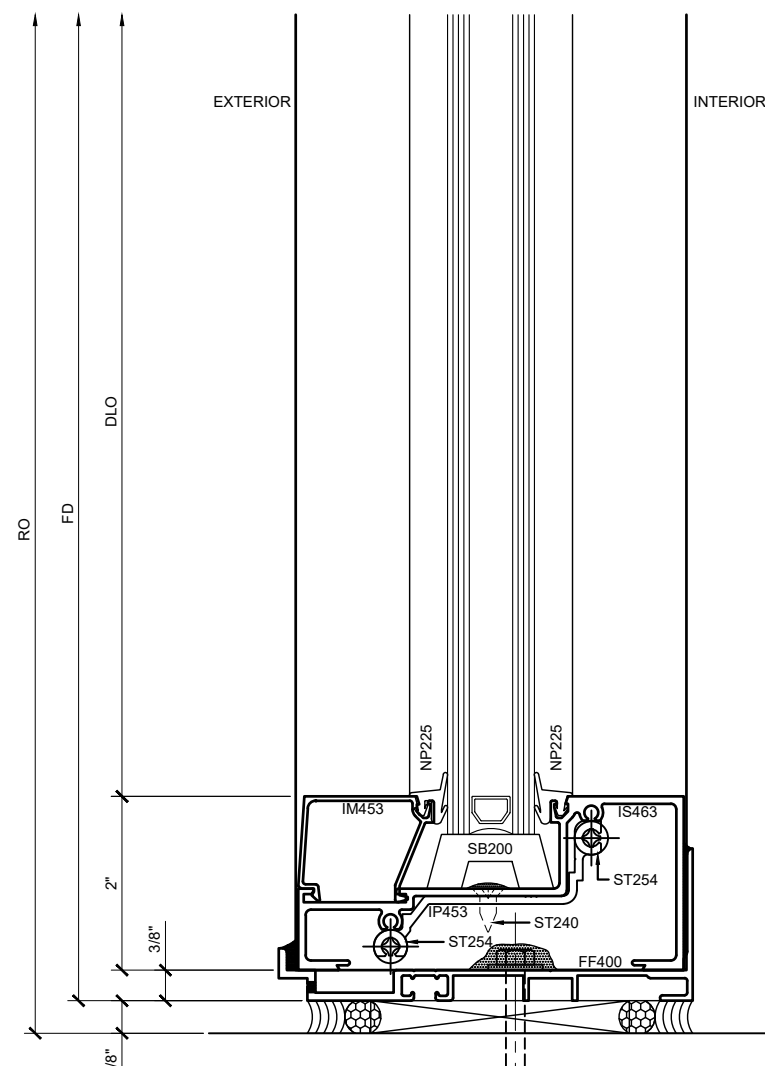
⑩ HEAD DETAIL

ARCH REF: N/A 1'-0"=1'-0"



⑨ DOOR HEAD DETAIL AT TRANSOM

ARCH REF: N/A 1'-0"=1'-0"



⑪ SILL DETAIL AT SIDELITE

ARCH REF: N/A 1'-0"=1'-0"

Revisions By:

CRL
 2503 E. Vernon Avenue, Los Angeles, CA 90058-1897
 PH (800)-421-6144 FX: 800-587-7501 www.crlaurence.com

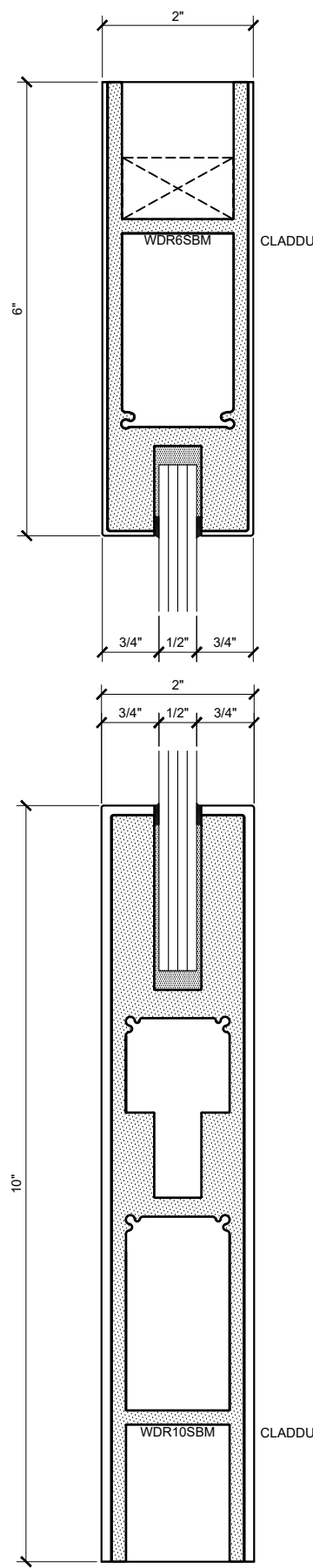
Description:
 CRL BALANCER SERIES
 BALANCED DOOR
 ALUMINUM ALL GLASS

Drawn By: TGM
 Date: 11/15/18
 Scale: AS NOTED
 File Name: BS BD - ALUM ALL GLASS.dwg

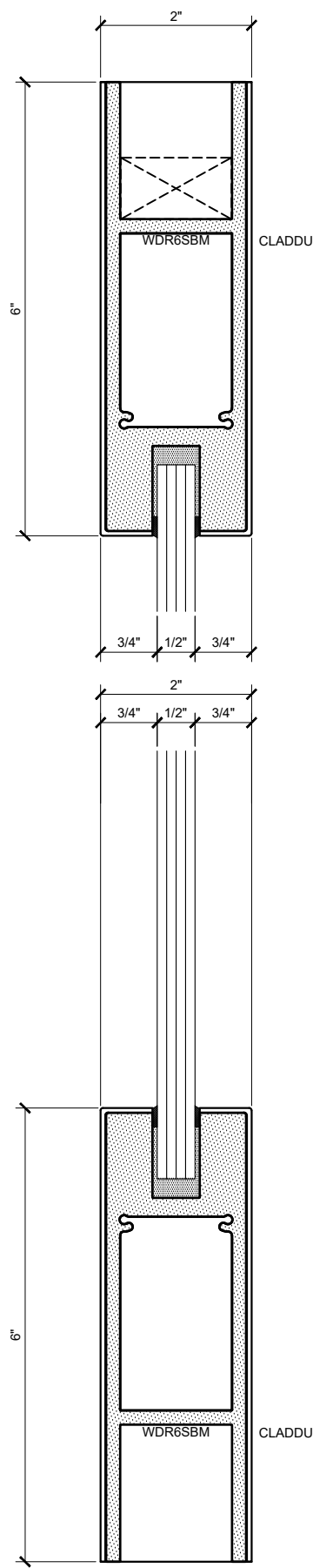
Sheet

1.04

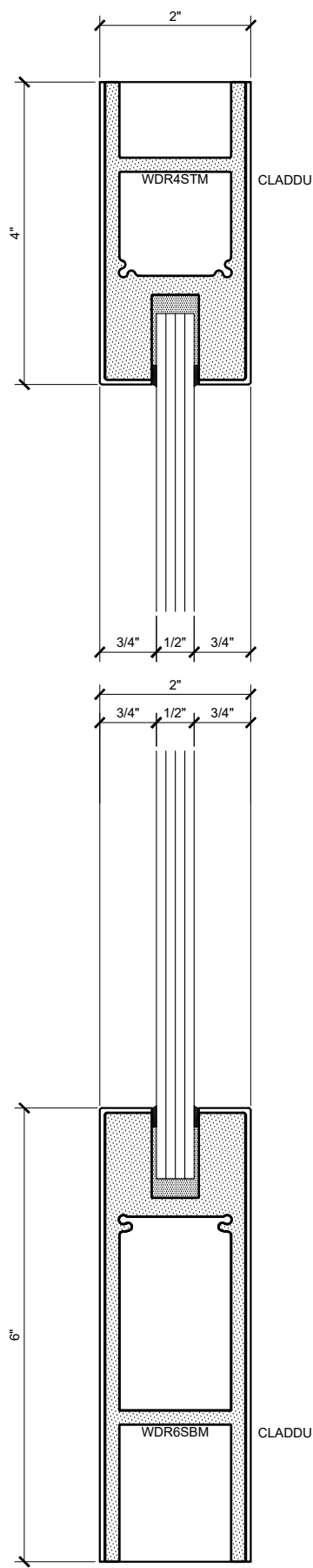
BALANCER SERIES ALUMINUM ALL GLASS BALANCED DOORS DETAILS / 4-1/2" JAMB / CONCEALED SHAFT



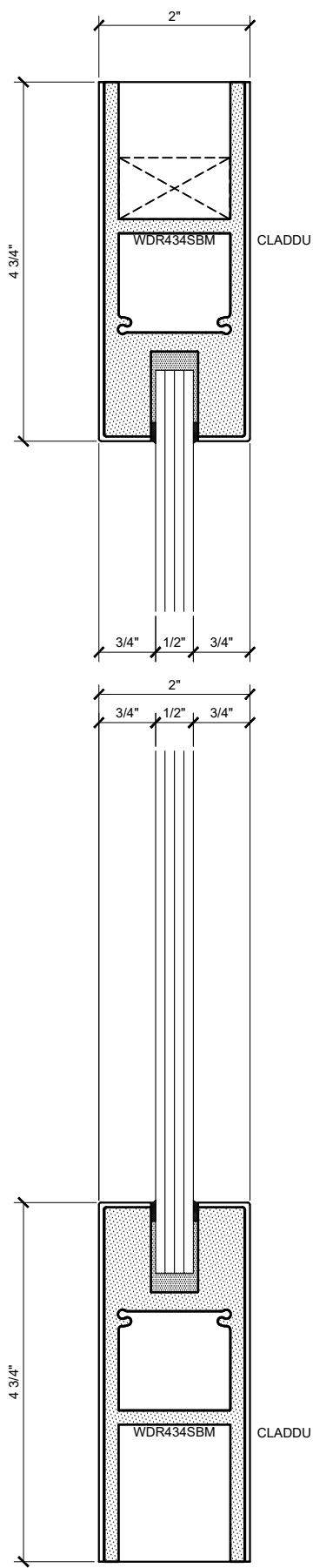
OPTION 1



OPTION 2



OPTION 3



OPTION 4

STANDARD RAILS - GLASS OPTIONS: 3/4", 9/16", 1/2", THICK GLASS (SHOWN WITH 1/2" THICK GLASS)

Revisions By:



2503 E. Vernon Avenue, Los Angeles, CA 90058-1897
PH (800)-421-6144 FX: 800-587-7501 www.crlaurence.com

Description:
CRL BALANCER SERIES
BALANCED DOOR
ALUMINUM ALL GLASS

Drawn By: TGM
Date: 11/15/18
Scale: AS NOTED
File Name: BS BD - ALUM ALL GLASS.dwg

Sheet

1.05



**CRL BALANCER SERIES BALANCED DOOR
ALUMINUM ALL GLASS WITH EXPOSED SHAFT**

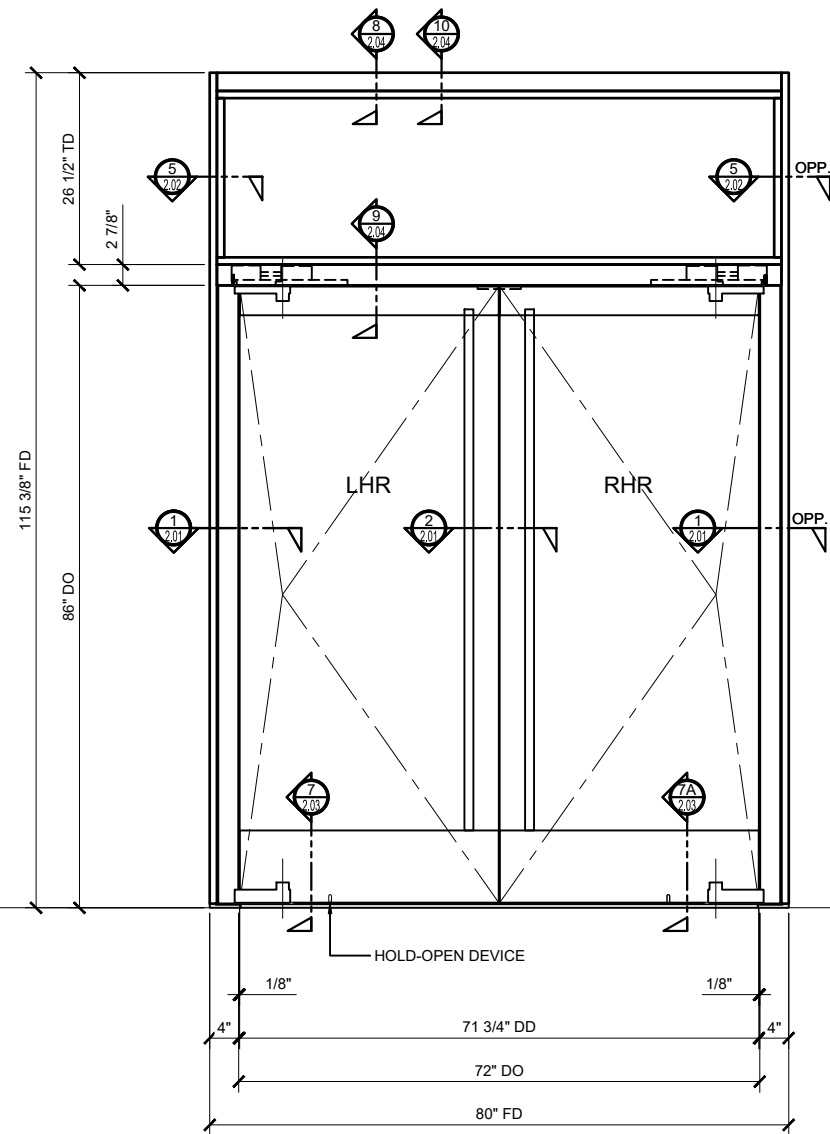
STRUCTURAL DISCLAIMER:

ALL CUSTOMERS WHO IN ANY WAY UTILIZE THIS PRODUCT ARE SOLELY RESPONSIBLE TO CONSULT A STRUCTURAL ENGINEER TO DETERMINE THE SUITABILITY OF THE PRODUCT FOR THE INTENDED USE AND SITE CONDITIONS. ALL INSTALLERS MUST BE QUALIFIED AND HAVE PROFESSIONAL KNOWLEDGE ABOUT COMPLIANCE WITH LOCAL, STATE AND FEDERAL REGULATIONS, SAFETY FACTORS, AND THE APPROPRIATE CHOICE OF FIXING MATERIAL AND PROCEDURES.

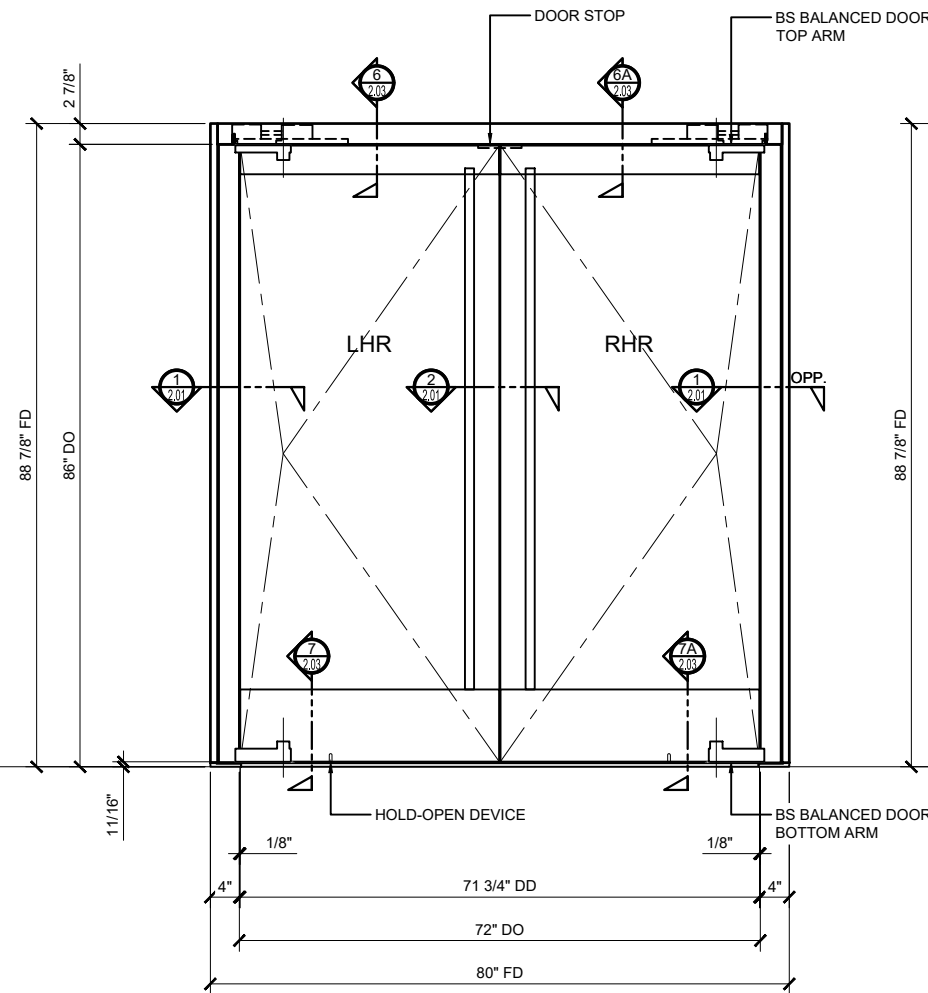
Revisions By:



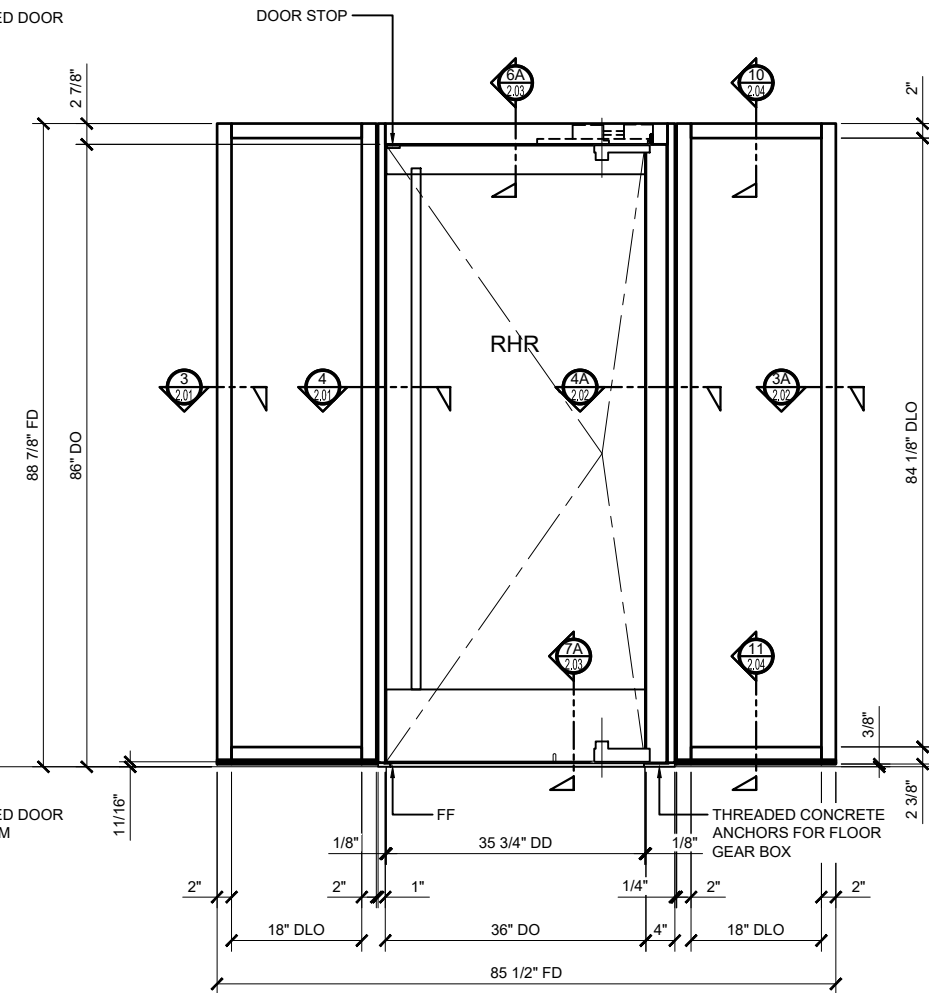
2503 E. Vernon Avenue, Los Angeles, CA 90058-1897
PH (800)-421-6144 FX: 800-387-7501 www.crlaurence.com



**CRL BALANCER SERIES BALANCED DOOR
ALUMINUM ALL GLASS WITH EXPOSED SHAFT
PAIR DOORS WITH TRANSOM ELEVATION**

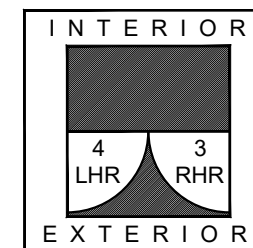


**CRL BALANCER SERIES BALANCED DOOR
ALUMINUM ALL GLASS WITH EXPOSED SHAFT
PAIR DOORS ELEVATION**



**CRL BALANCER SERIES BALANCED DOOR
ALUMINUM ALL GLASS WITH EXPOSED SHAFT
SINGLE DOOR WITH SIDELITE ELEVATION**

DOOR SWING CHART



STANDARD ABBREVIATIONS

RO	ROUGH OPENING
FD	FRAME DIMENSION
DLO	DAYLIGHT OPENING
DO	DOOR OPENING
DD	DOOR DIMENSION
TD	TRANSOM DIMENSION
FF	FLOOR FIDDING

Description:
CRL BALANCER SERIES
BALANCED DOOR
ALUMINUM ALL GLASS

Drawn By: TGM
Date: 11/15/18
Scale: AS NOTED
File Name: BS BD - ALUM ALL GLASS.dwg

Sheet

Revisions By:

CRL

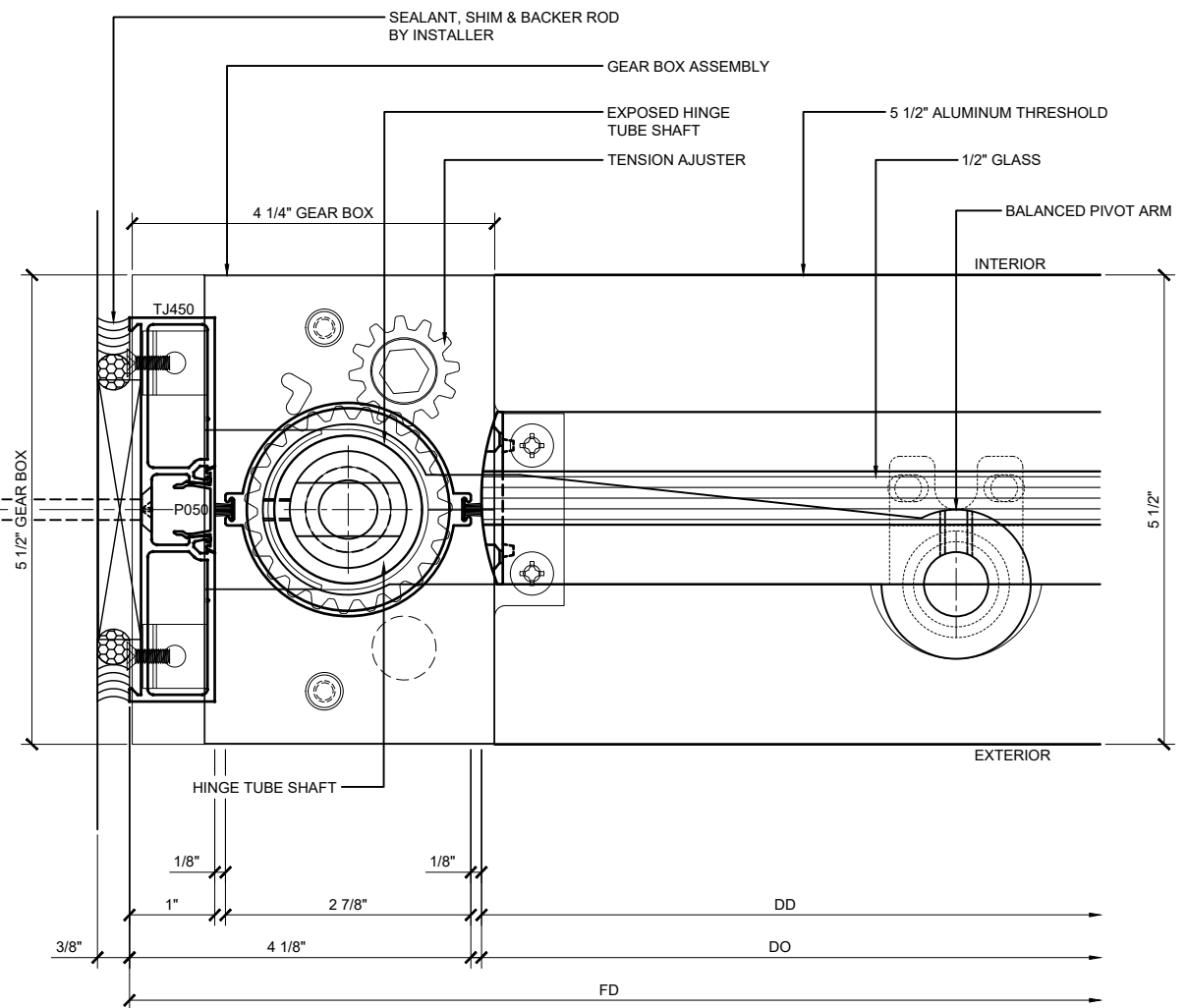
2503 E. Vernon Avenue, Los Angeles, CA 90058-1897
PH (800)-421-6144 FX: 800-587-7501 www.crlaurence.com

Description:
CRL BALANCER SERIES
BALANCED DOOR
ALUMINUM ALL GLASS

Drawn By: TGM
Date: 11/15/18
Scale: AS NOTED
File Name:
BS BD - ALUM ALL GLASS.dwg

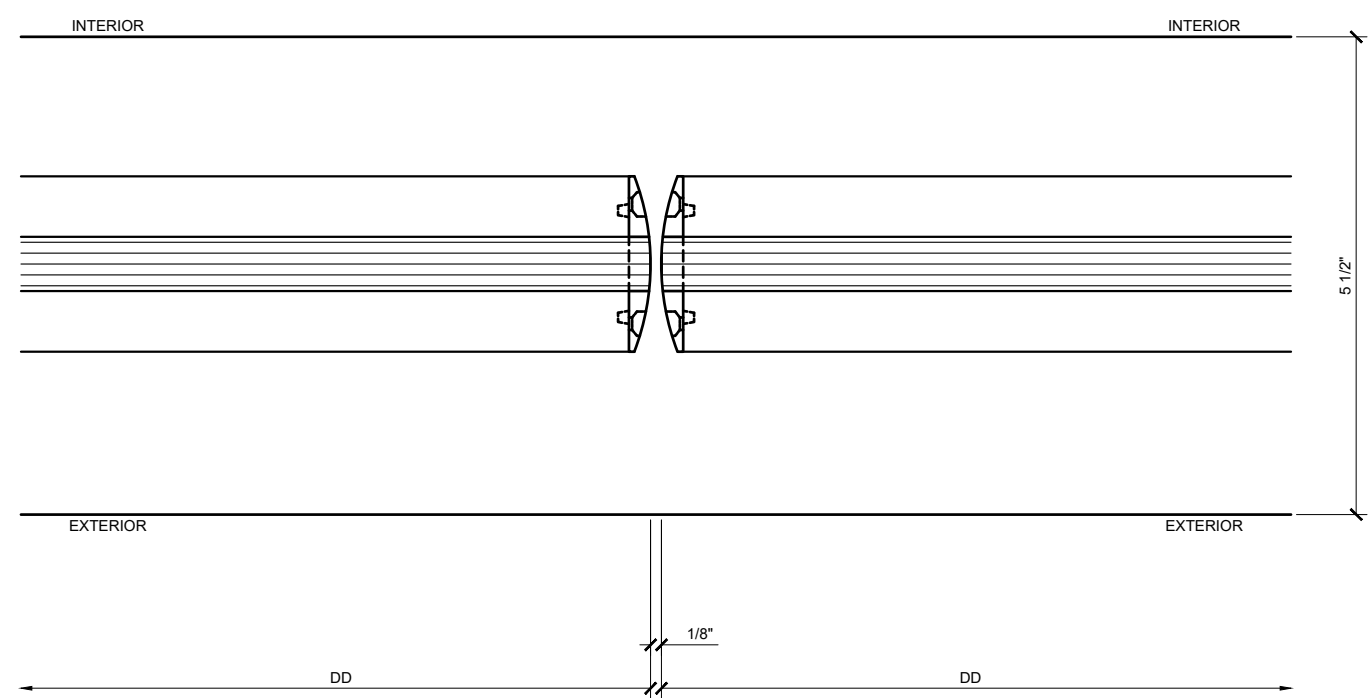
Sheet

2.01



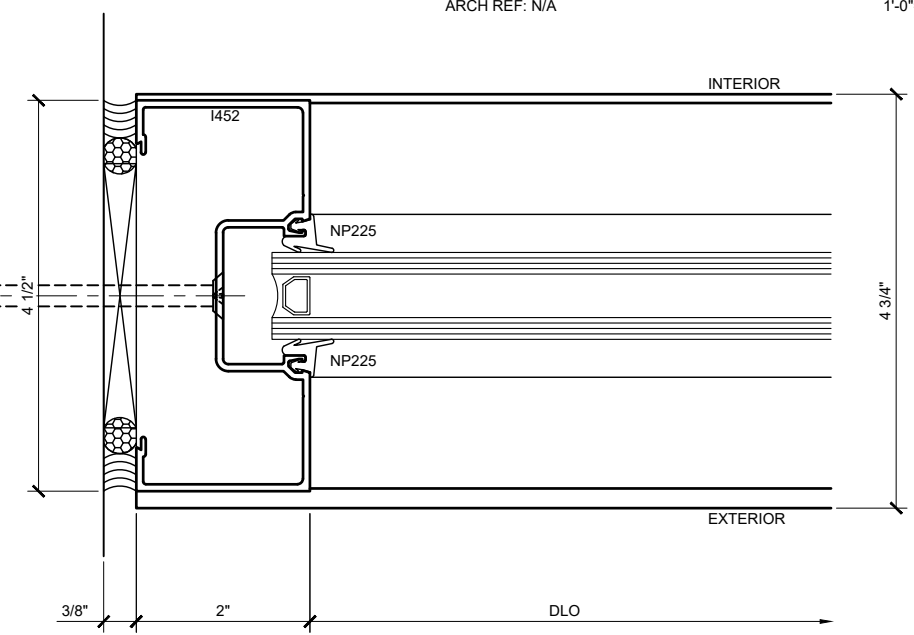
1 DOOR PIVOT JAMB DETAIL

ARCH REF: N/A 1'-0"=1'-0"



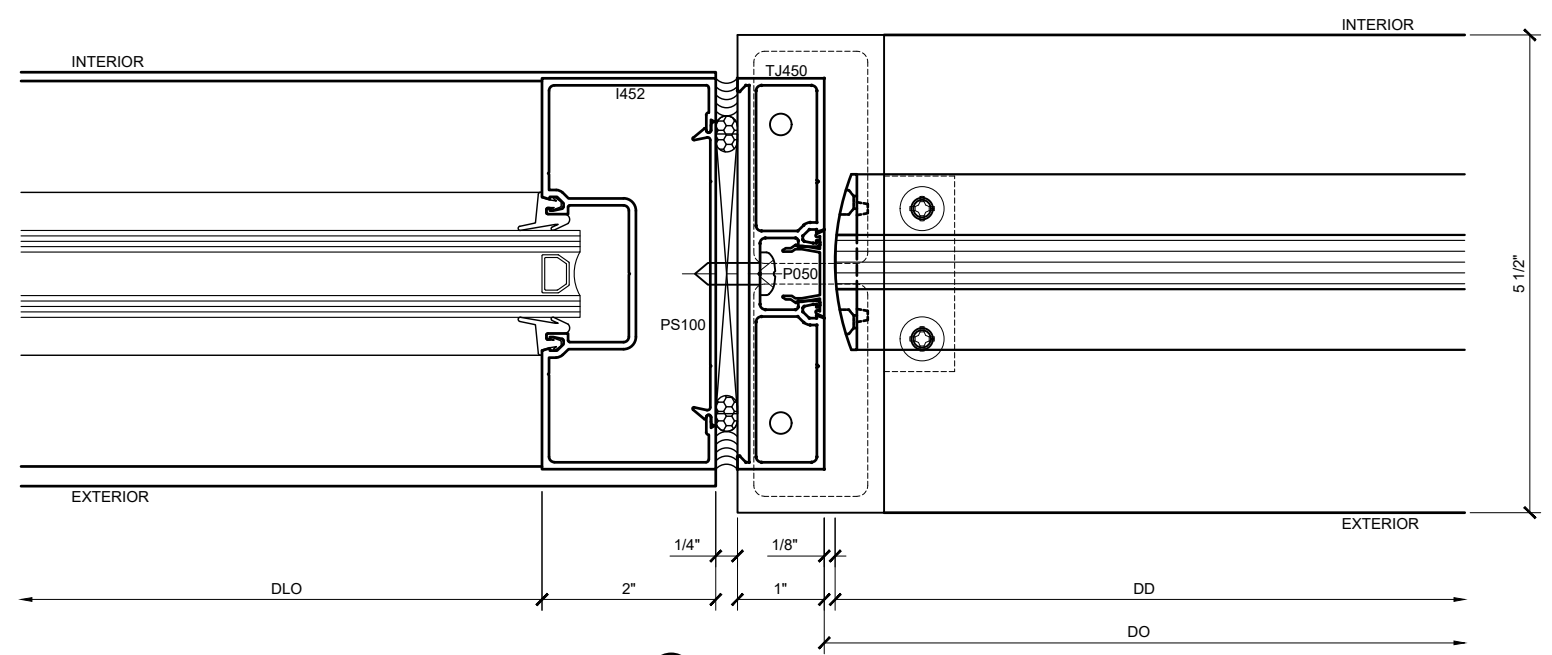
2 MEETING STILES DATAL

ARCH REF: N/A 1'-0"=1'-0"



3 JAMB DETAIL AT SIDELITE

ARCH REF: N/A 1'-0"=1'-0"



4 DOOR STRIKE JAMB AT SIDELITE DETAIL

ARCH REF: N/A 1'-0"=1'-0"

BALANCER SERIES ALUMINUM ALL GLASS BALANCED DOORS DETAILS / 4-1/2" JAMB / EXPOSED SHAFT

Revisions By:

CRL

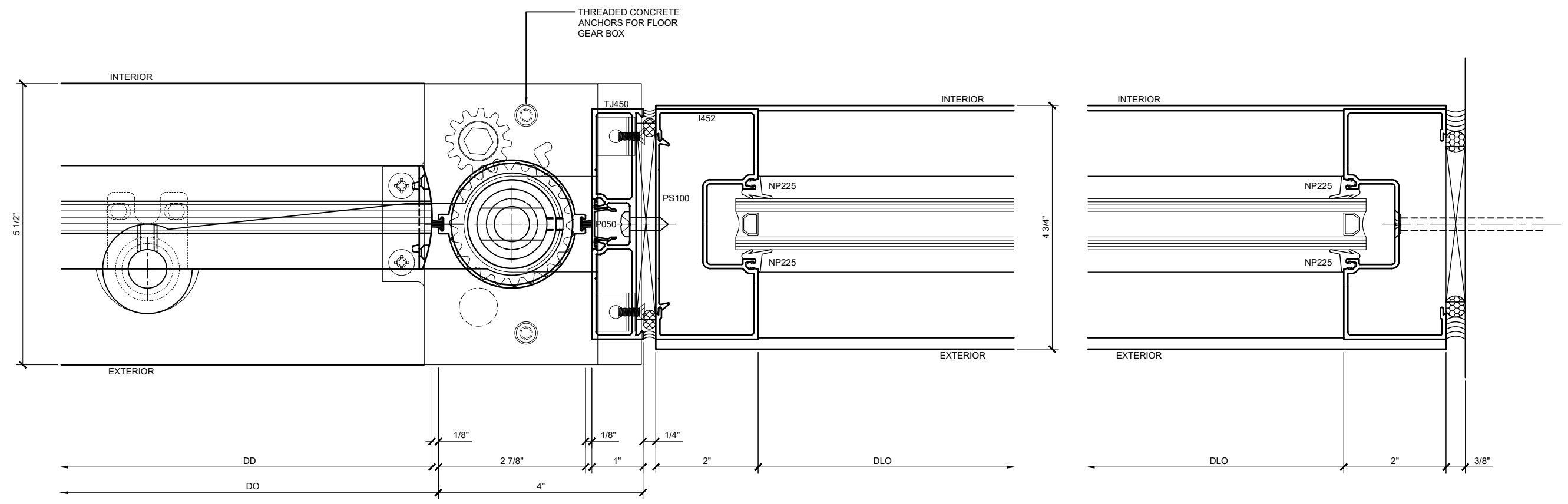
2503 E. Vernon Avenue, Los Angeles, CA 90058-1897
PH (800)-421-6144 FX: 800-587-7501 www.crlaurence.com

Description:
CRL BALANCER SERIES
BALANCED DOOR
ALUMINUM ALL GLASS

Drawn By: TGM
Date: 11/15/18
Scale: AS NOTED
File Name:
BS BD - ALUM ALL GLASS.dwg

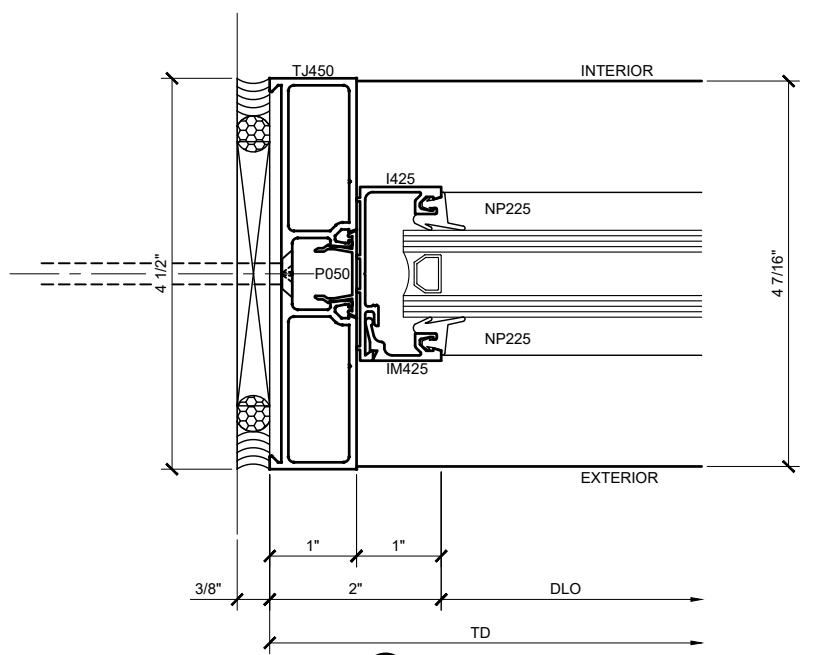
Sheet

2.02



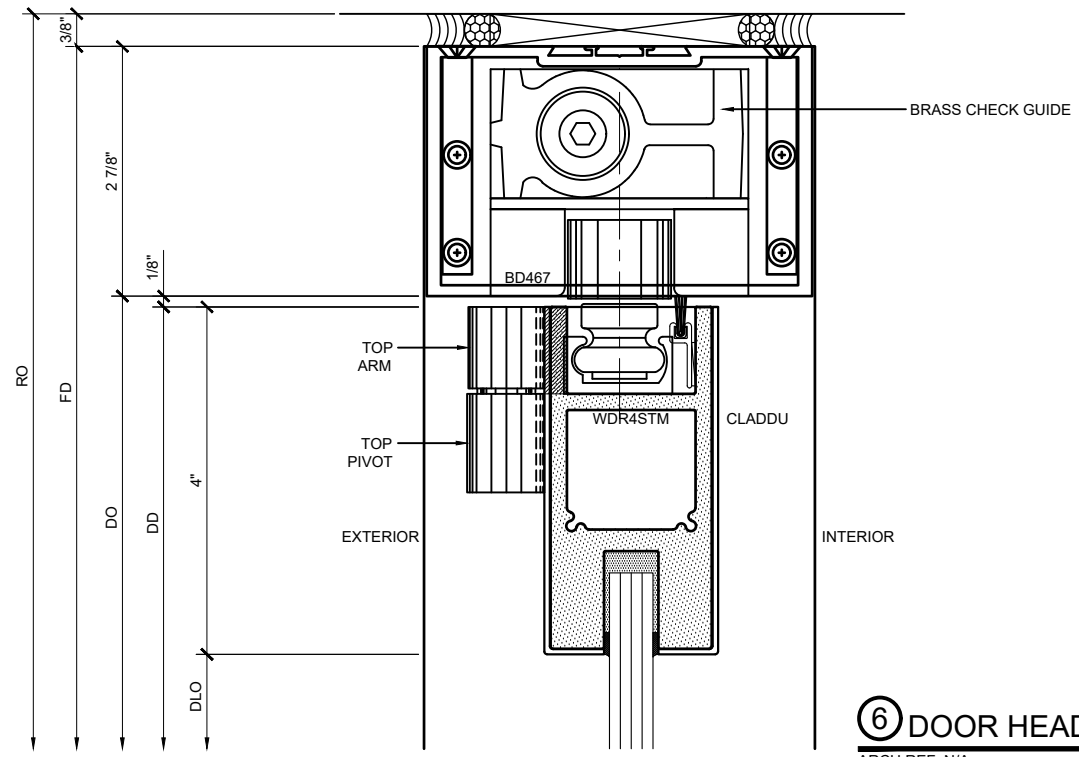
4A DOOR PIVOT JAMB SIDELITE DETAIL
ARCH REF: N/A 1'-0"=1'-0"

3A JAMB DETAIL
ARCH REF: N/A 1'-0"=1'-0"

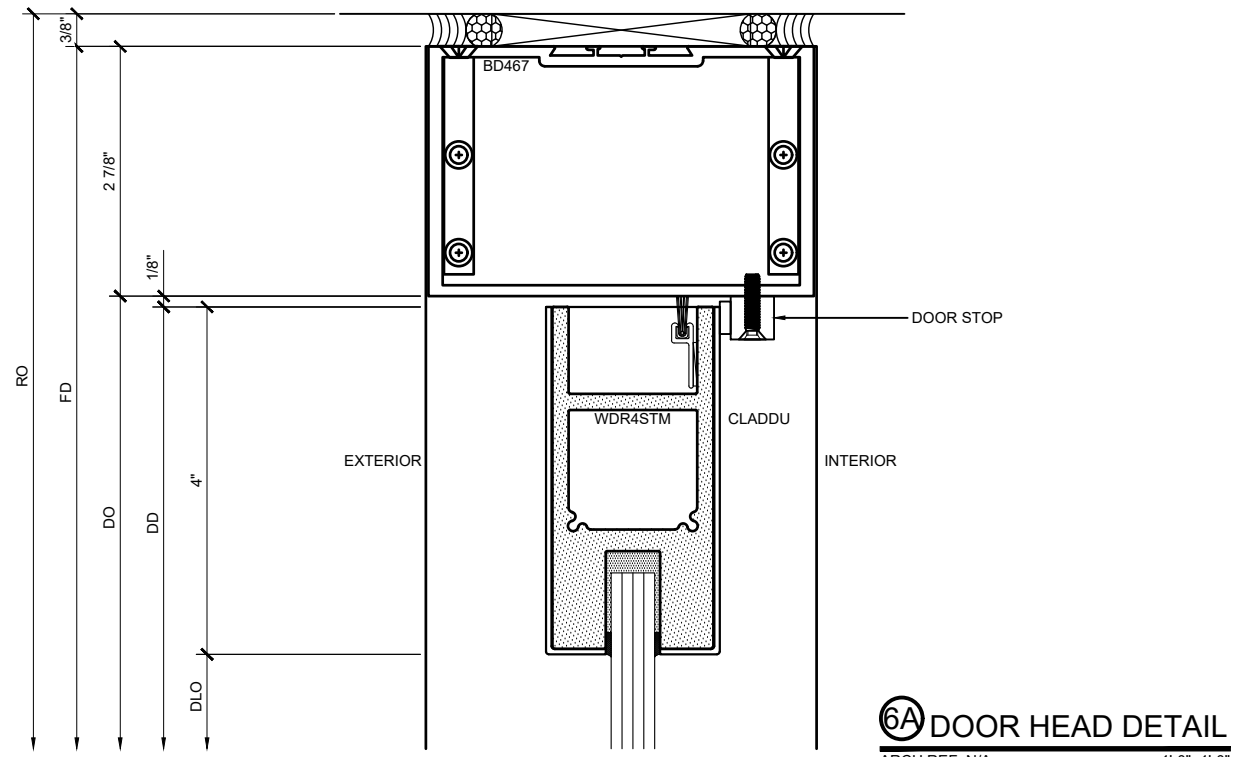


5 TRANSOM DETAIL
ARCH REF: N/A 1'-0"=1'-0"

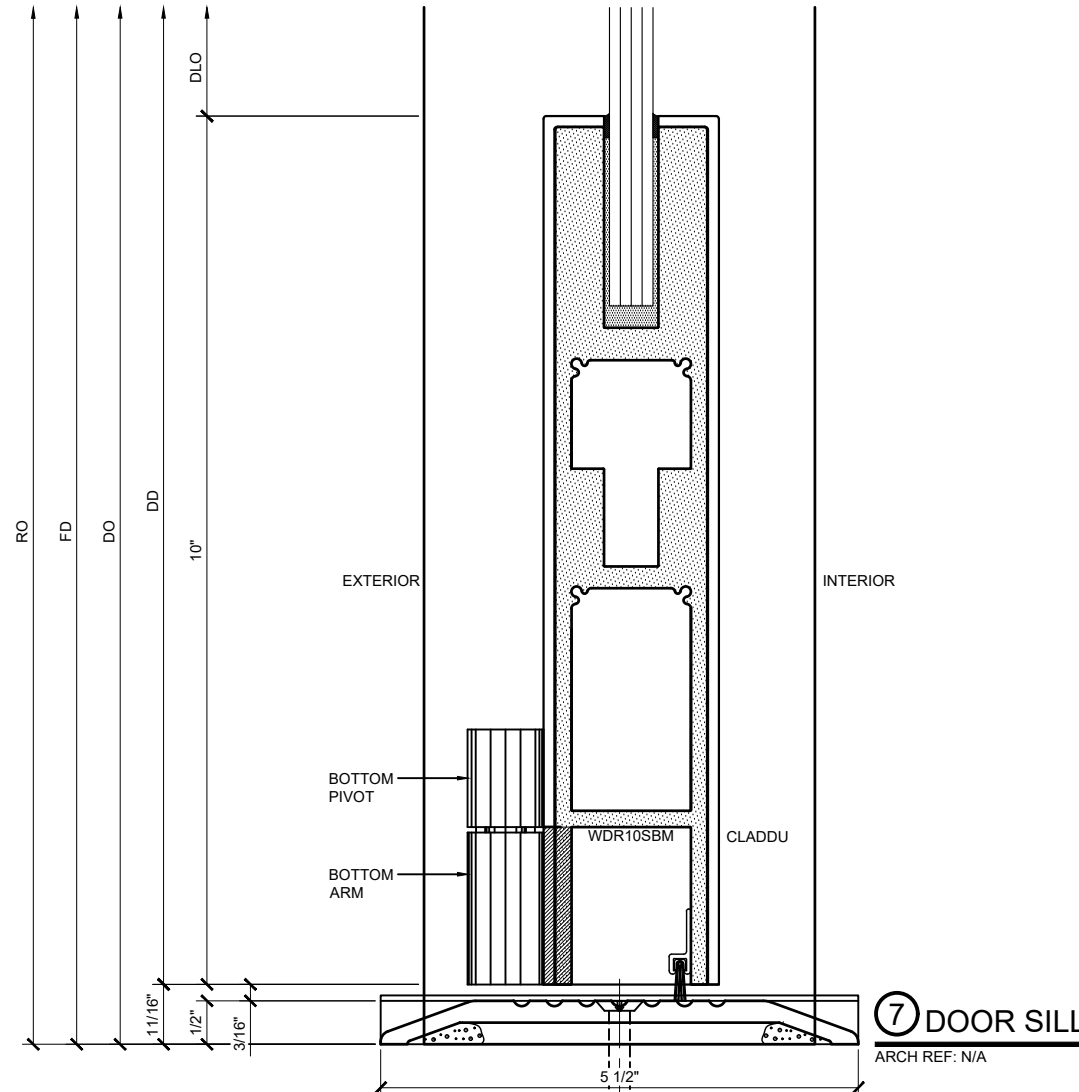
BALANCER SERIES ALUMINUM ALL GLASS BALANCED DOORS DETAILS / 4-1/2" JAMB / EXPOSED SHAFT



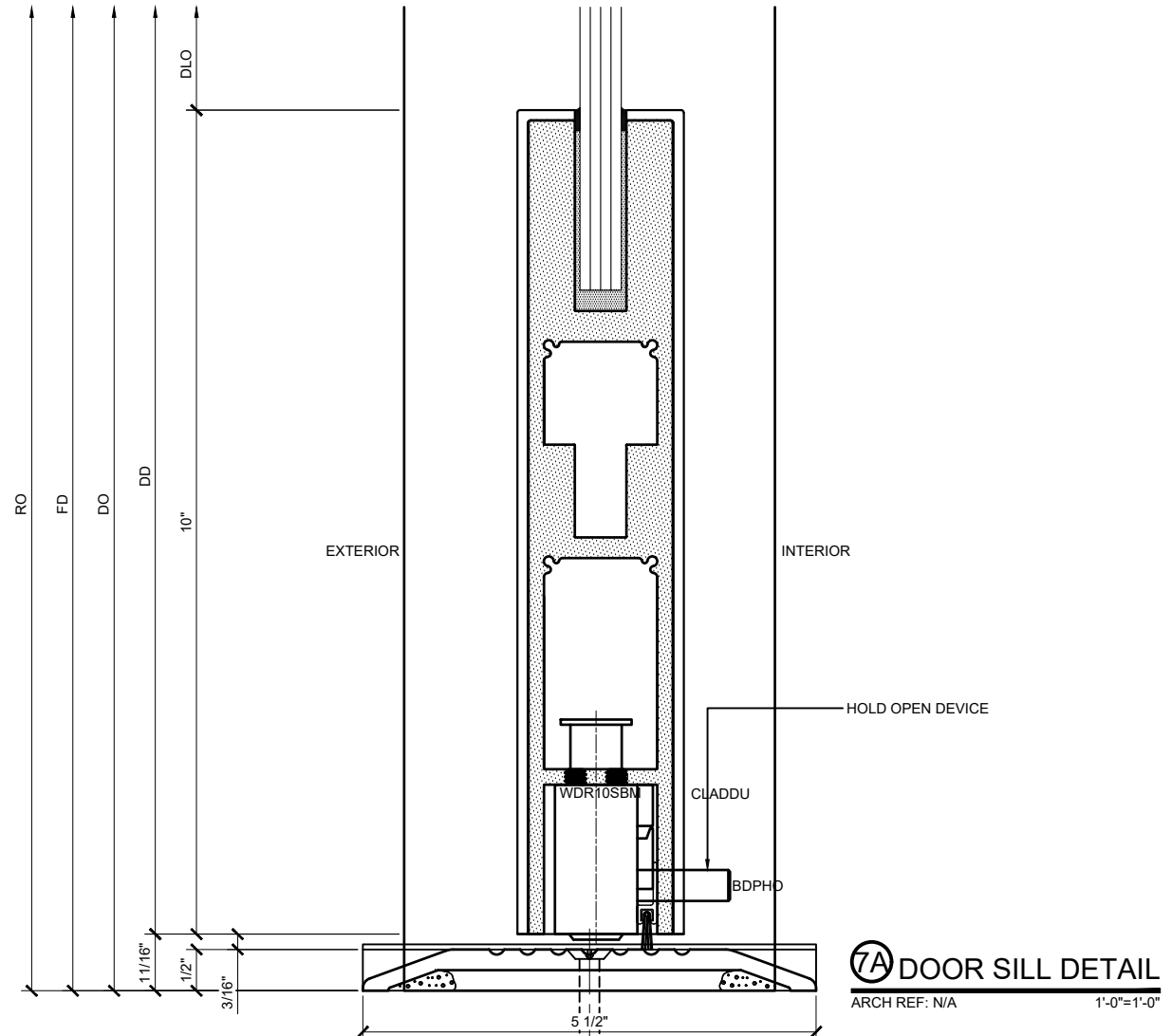
6 DOOR HEAD DETAIL
 ARCH REF: N/A 1'-0"=1'-0"



6A DOOR HEAD DETAIL
 ARCH REF: N/A 1'-0"=1'-0"



7 DOOR SILL DETAIL
 ARCH REF: N/A 1'-0"=1'-0"



7A DOOR SILL DETAIL
 ARCH REF: N/A 1'-0"=1'-0"

BALANCER SERIES ALUMINUM ALL GLASS BALANCED DOORS DETAILS / 4-1/2" JAMB / EXPOSED SHAFT

Revisions By:



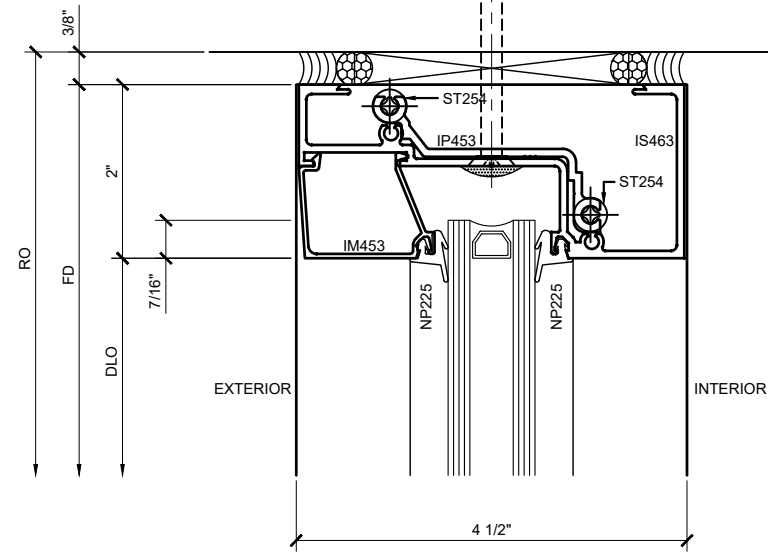
2503 E. Vernon Avenue, Los Angeles, CA 90058-1897
 PH (800)-421-6144 FX: 800-387-7501 www.crlaurence.com

Description:
 CRL BALANCER SERIES
 BALANCED DOOR
 ALUMINUM ALL GLASS

Drawn By: TGM
 Date: 11/15/18
 Scale: AS NOTED
 File Name: BS BD - ALUM ALL GLASS.dwg

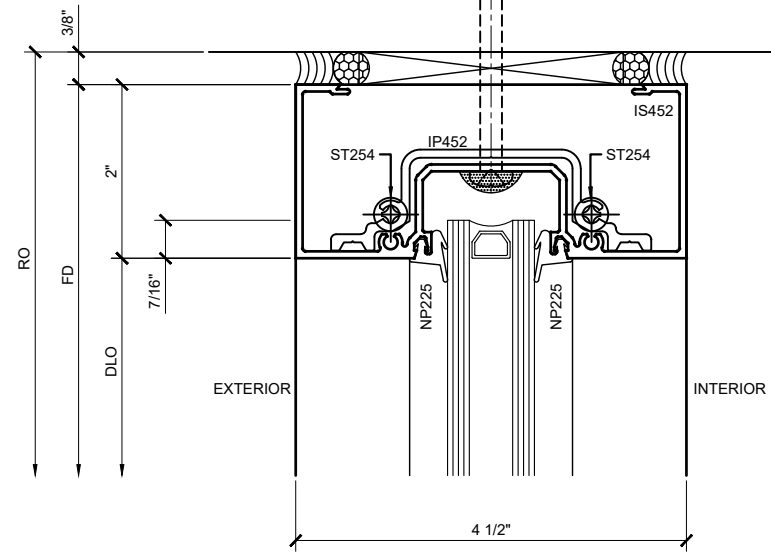
Sheet

2.03



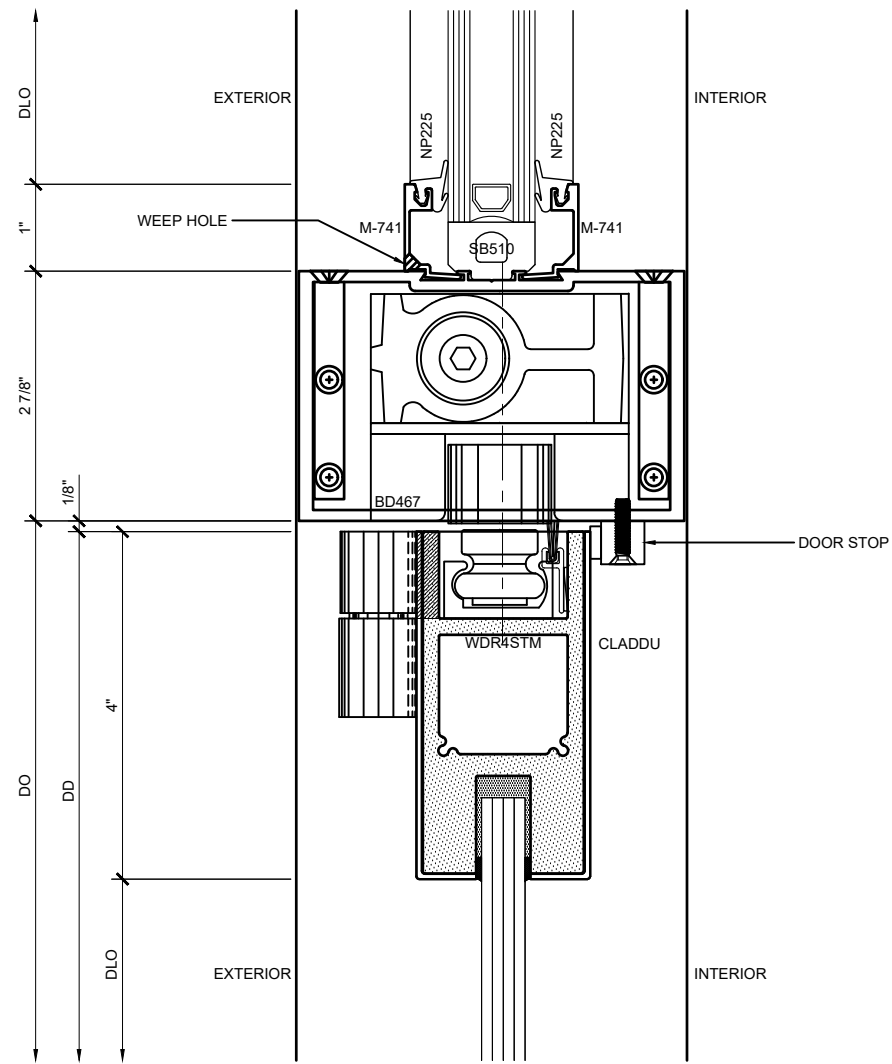
⑧ HEAD DETAIL

ARCH REF: N/A 1'-0"=1'-0"



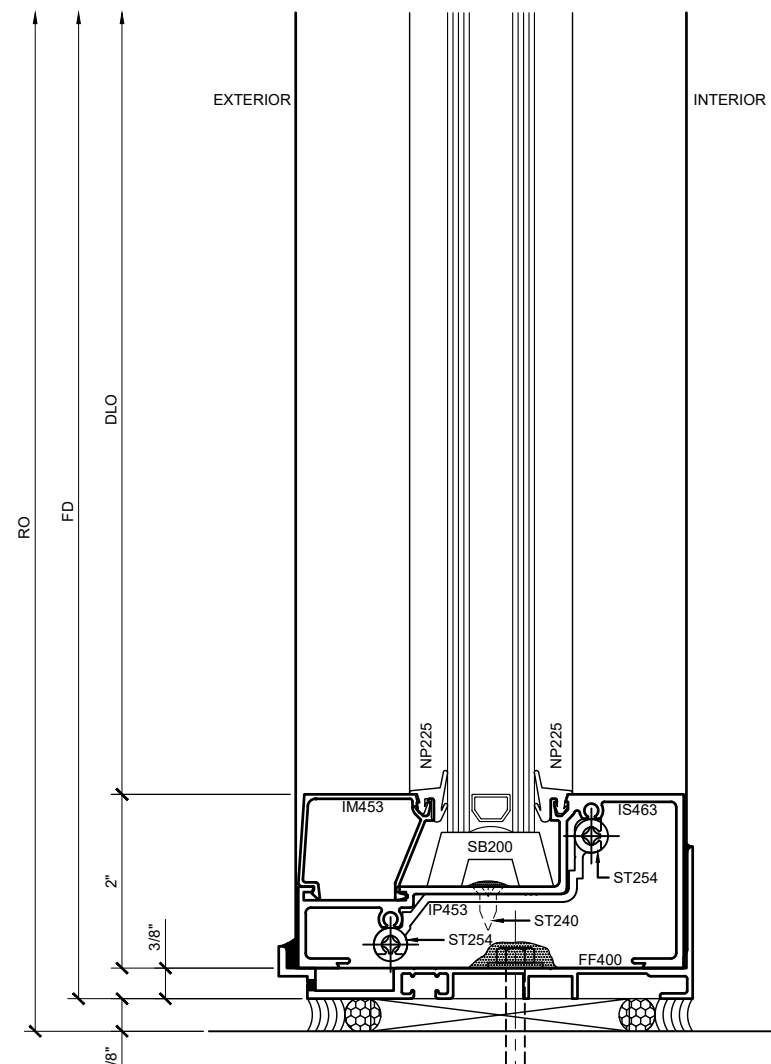
⑩ HEAD DETAIL

ARCH REF: N/A 1'-0"=1'-0"



⑨ DOOR HEAD DETAIL AT TRANSOM

ARCH REF: N/A 1'-0"=1'-0"



⑪ SILL DETAIL AT SIDELITE

ARCH REF: N/A 1'-0"=1'-0"

Revisions By:

CRL

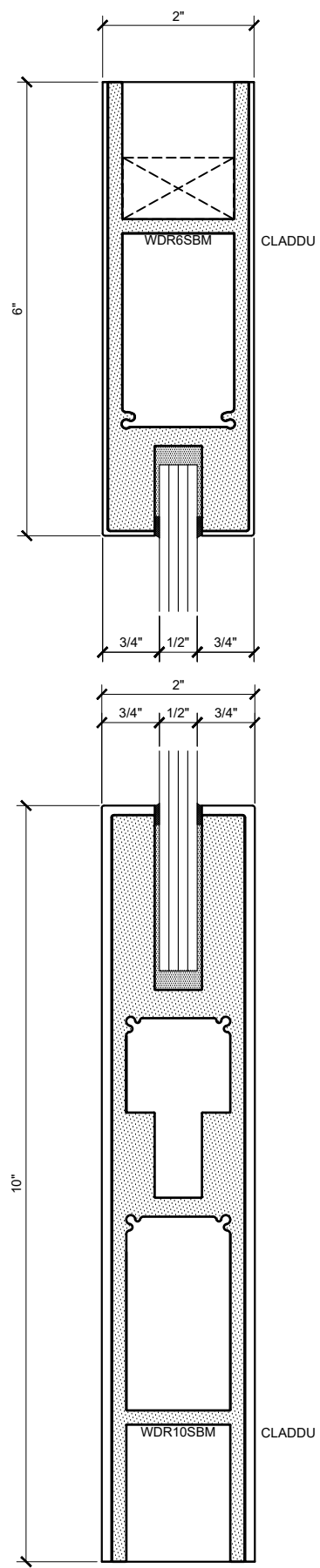
2503 E. Vernon Avenue, Los Angeles, CA 90058-1897
PH (800)-421-6144 FX: 800-587-7501 www.crlaurence.com

Description:
CRL BALANCER SERIES
BALANCED DOOR
ALUMINUM ALL GLASS

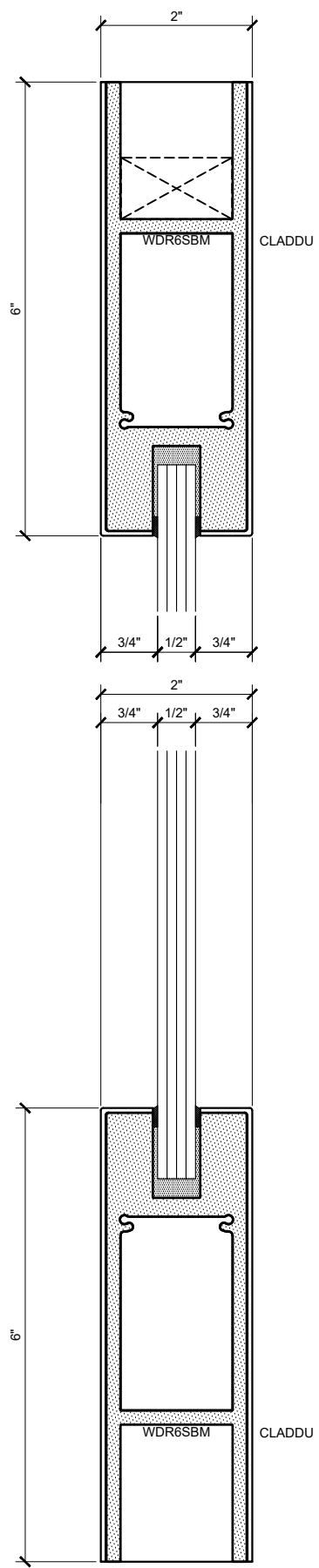
Drawn By: TGM
Date: 11/15/18
Scale: AS NOTED
File Name: BS BD - ALUM ALL GLASS.dwg

Sheet

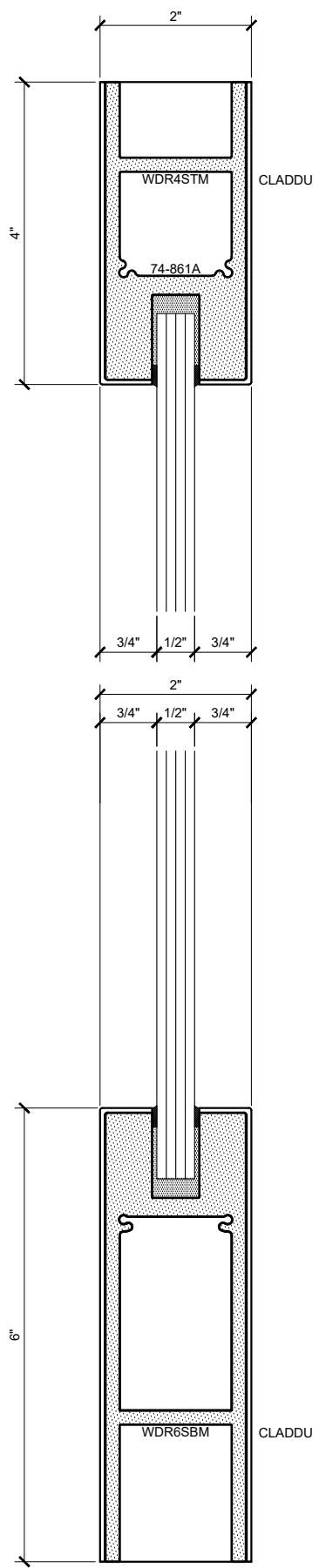
2.04



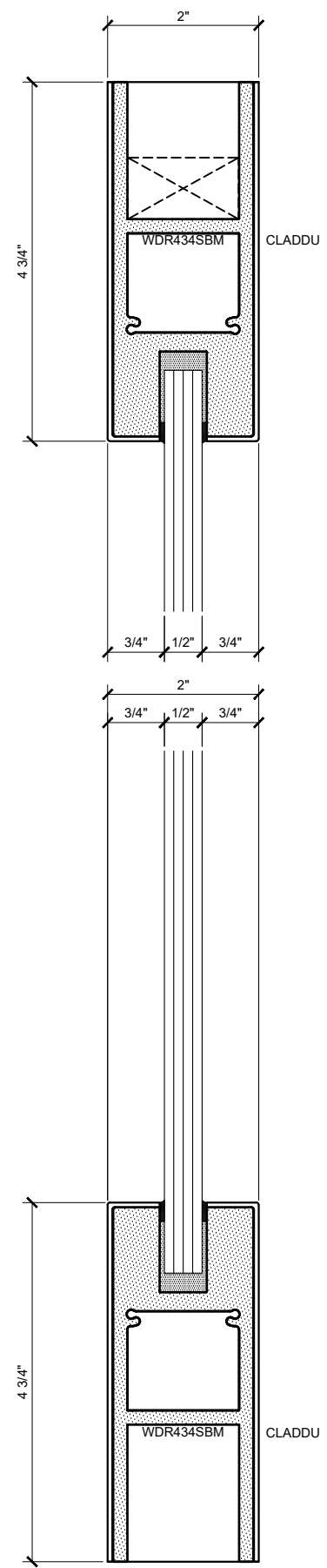
OPTION 1



OPTION 2



OPTION 3



OPTION 4

STANDARD RAILS - GLASS OPTIONS: 3/4", 9/16", 1/2", THICK GLASS (SHOWN WITH 1/2" THICK GLASS)

Revisions By:



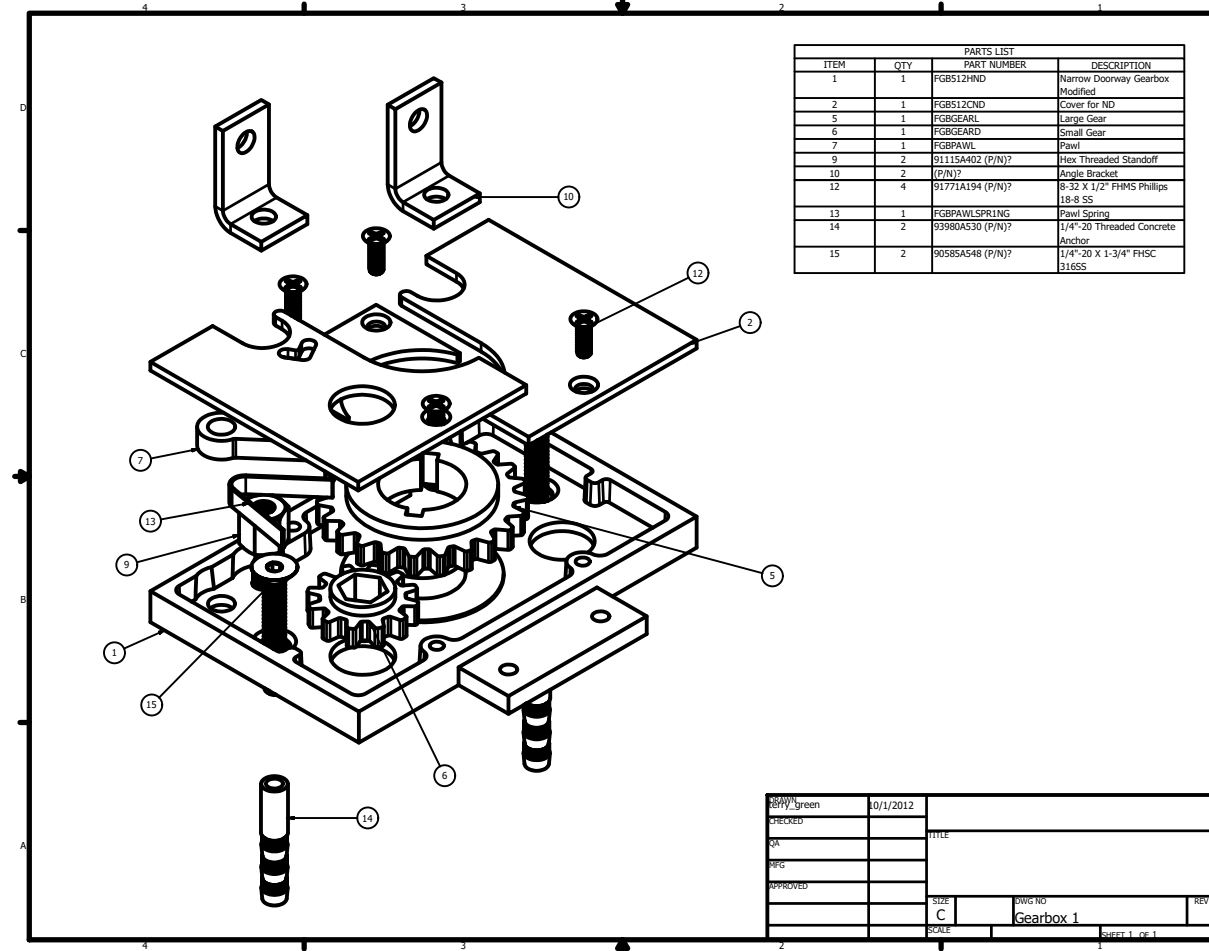
2503 E. Vernon Avenue, Los Angeles, CA 90058-1897
PH (800)-421-6144 FX: 800-587-7501 www.crlaurence.com

Description:
CRL BALANCER SERIES
BALANCED DOOR
ALUMINUM ALL GLASS

Drawn By: TGM
Date: 11/15/18
Scale: AS NOTED
File Name: BS BD - ALUM ALL GLASS.dwg

Sheet

2.05



DESIGNED	10/11/2012		
CHECKED		TITLE	
QA			
REG			
APPROVED			
		SIZE	DWG NO
		C	Gearbox 1
		SCALE	SHEET 1 OF 1

Revisions By:



2503 E. Vernon Avenue, Los Angeles, CA 90058-1897
 PH (800)-421-6144 FX: 800-587-7501 www.crlaurence.com

Description:
 CRL BALANCER SERIES
 BALANCED DOOR
 ALUMINUM ALL GLASS

Drawn By: TGM
 Date: 11/15/18
 Scale: AS NOTED
 File Name: BS BD - ALUM ALL GLASS.dwg

Sheet

3.01