

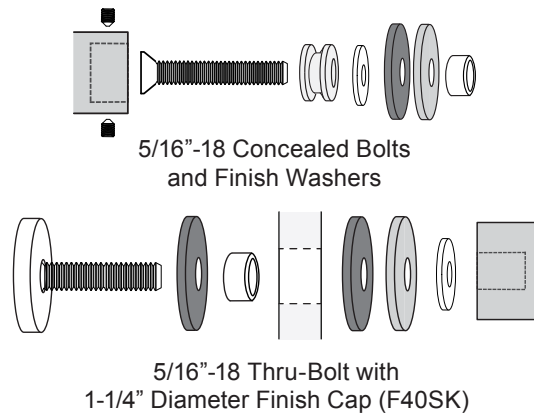
CRL ALUMINUM DOOR MOUNTED STANDARD PULL HANDLES

CRL 28" CROSS BAR PULL HANDLE FOR 4" X 10" CENTER LOCKS

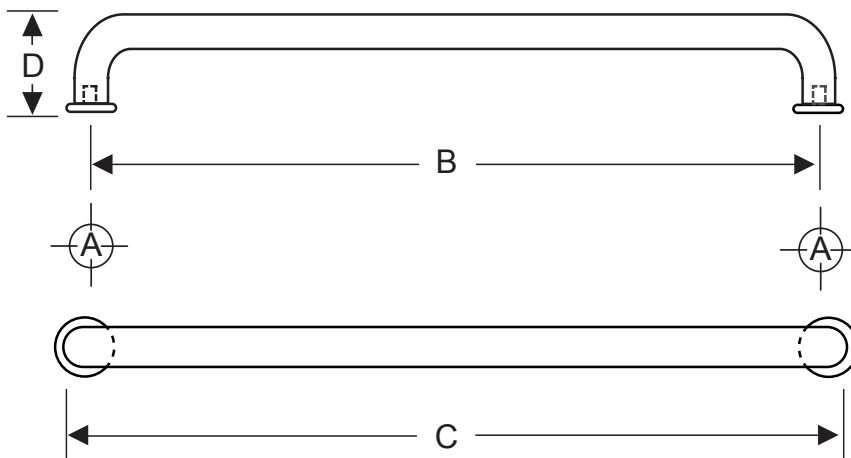


CAT. NO.
CM28

INCLUDED MOUNTING HARDWARE



MOUNTING TEMPLATE



ADD TO CAT. NO. FOR FINISH
BR = POLISHED BRASS
BS = BRUSHED STAINLESS
DU = DARK BRONZE
SC = SATIN CHROME

Hole Size: A	B	C	D
Glass 5/8" (16 mm)	28" (711 mm)	29" (737 mm)	2-3/4" (70 mm)

Mounting Options	Glass 3/8"-3/4" (10-19 mm)
Mounting Hardware	(1) Cat. No. F40SK (1) Cat. No. F40WK Included

NOTE: Optional hardware kits must be purchased separately.

