

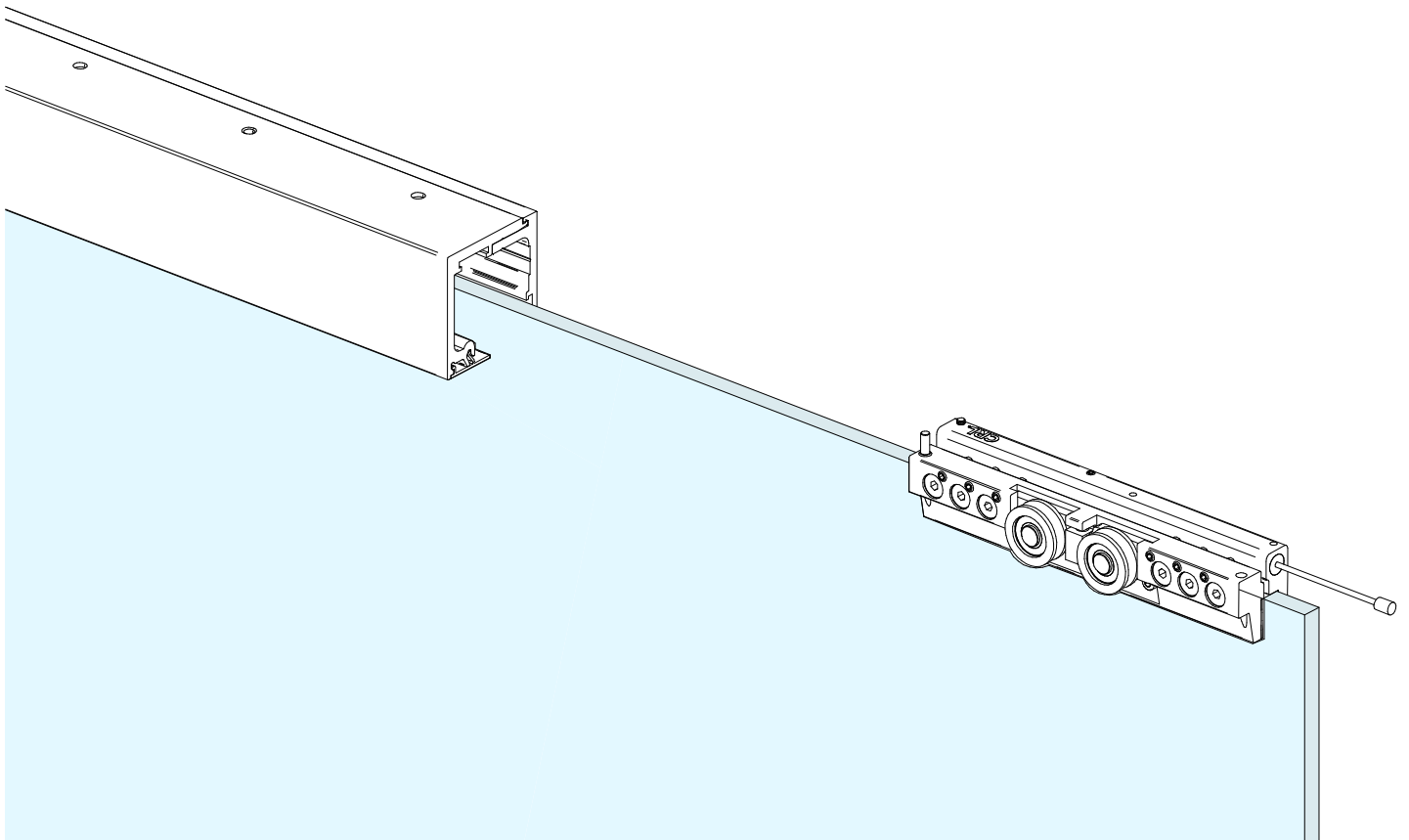


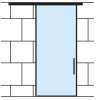
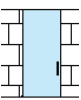
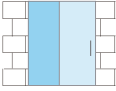
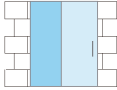
# Installation Instructions

crlaurence.com

## CRL690 SERIES SLIDING DOOR KITS

CRL690 | CRL6901 | CRL690D | CRL6901D

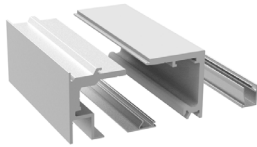


<p><b>CRL690/BSA/MBL</b>     <b>Wall and Ceiling mount Kit</b></p>  <p>Kit Contains:</p> <p>1xCRL490EXT     1xCRL2940          1xCRL290TF SET     1xCRL2945 SET          1xCRL4937 SET          1xCRL4939          1xCRL4942</p>	<p><b>CRL690D/BSA/MBL</b>     <b>Dropped ceiling mount Kit</b></p>  <p>Kit Contains:</p> <p>1xCRL4932EXT          1xCRL4939          1xCRL4942          1xCRL2940          1xCRL2945 SET          1xCRL2929 SET</p>
<p><b>CRL6901/BSA/MBL</b>     <b>Ceiling mount Kit with fixed glass</b></p>  <p>Kit Contains:</p> <p>1xCRL4931EXT     1xCRL2940          1xCRL290TF SET     1xCRL2945 SET          1xCRL4938 SET     1xCRL6979A          1xCRL4939          1xCRL4942</p>	<p><b>CRL6901D/BSA/MBL</b>     <b>Dropped ceiling mount Kit with fixed glass</b></p>  <p>Kit Contains:</p> <p>1xCRL4933EXT     1xCRL2945 SET          1xCRL4939     1xCRL6979A          1xCRL4942     1xCRL2929 SET          1xCRL2940</p>

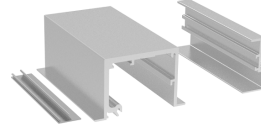
CRL490EXT/BSA/MBL



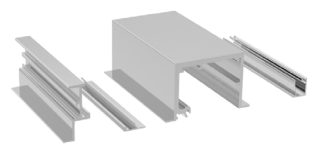
CRL4931EXT/BSA/MBL



CRL4932EXT/BSA/MBL



CRL4933EXT/BSA/MBL



CRL4939



CRL4942



CRL6979A/BSA/MBL



CRL2940/BSA/MBL



CRL290TF



CRL2943



CRL2944



CRL4972



CRL2945



CRL4937/BSA/MBL



CRL4938/BSA/MBL



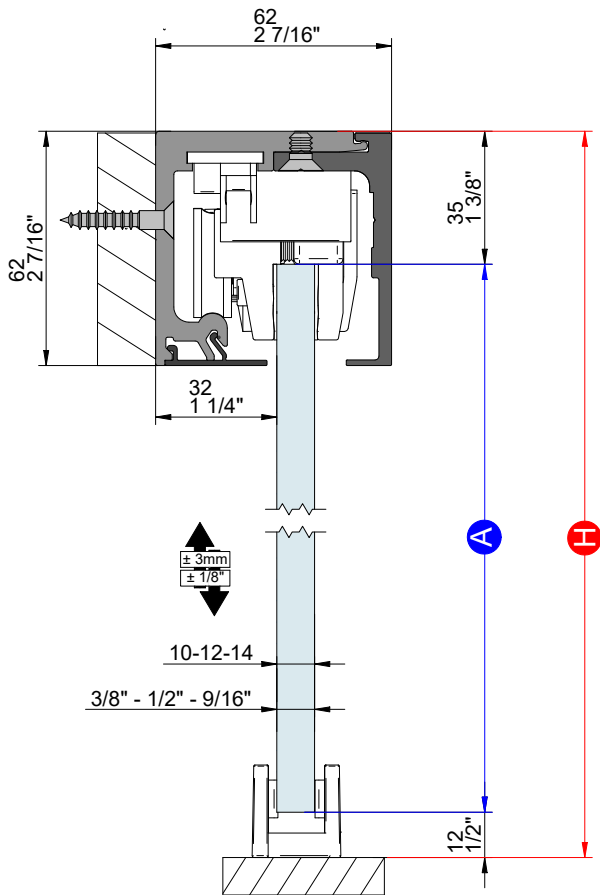
CRL2929



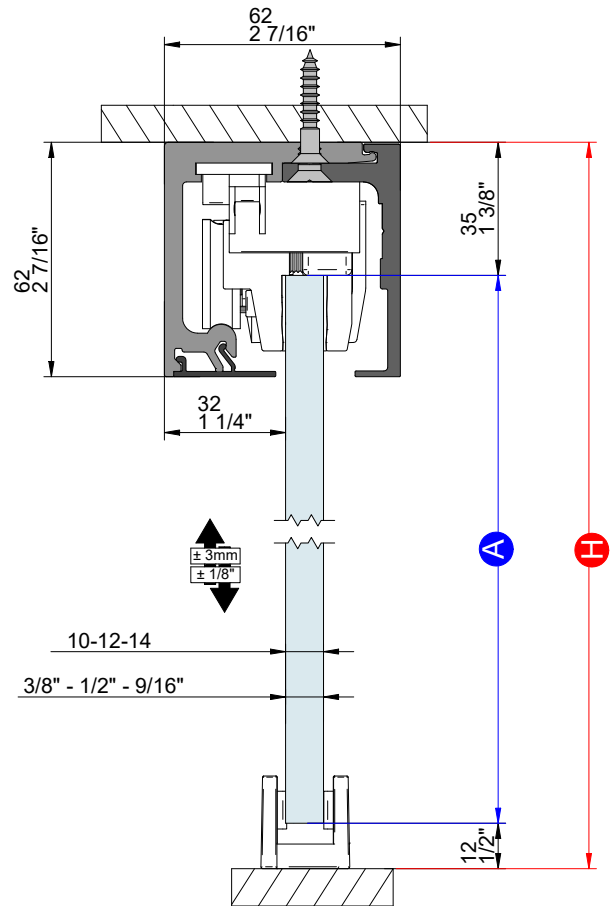
\*ORDERED SEPARATELY

CRL690 - GLASS DEDUCTIONS AND SECTIONS

**WALL MOUNTING**



**CEILING MOUNTING**



• GLASS HEIGHT "A"

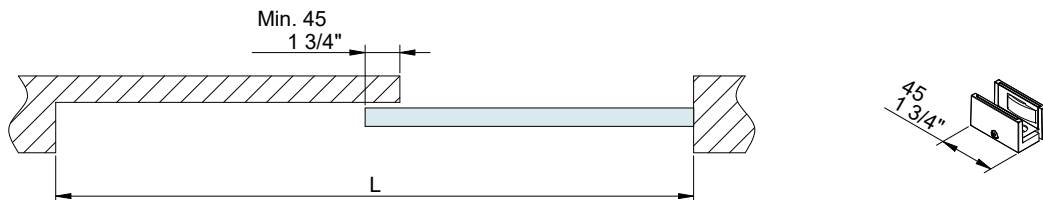
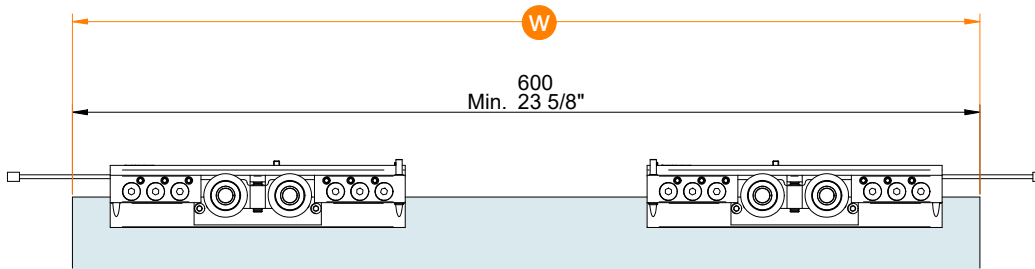
$$A = H - 1 \frac{7}{8}''$$

$$A = H - 47\text{mm}$$

• GLASS HEIGHT "A"

$$A = H - 1 \frac{7}{8}''$$

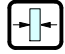
$$A = H - 47\text{mm}$$

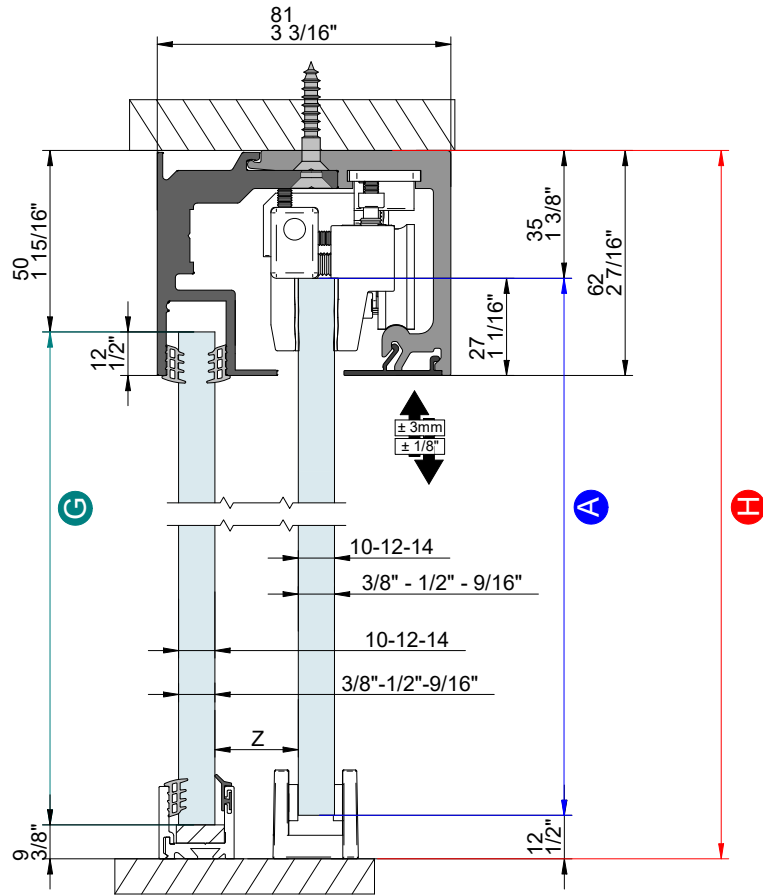


• GLASS WIDTH "W"

$$W = \frac{L + 45}{2}$$

$$W = \frac{L + 1 \frac{3}{4}''}{2}$$

Z	
21mm - 13/16"	10mm - 3/8"
19mm - 3/4"	12mm - 1/2"
17mm - 11/16"	14mm - 9/16"



• GLASS HEIGHT "A"

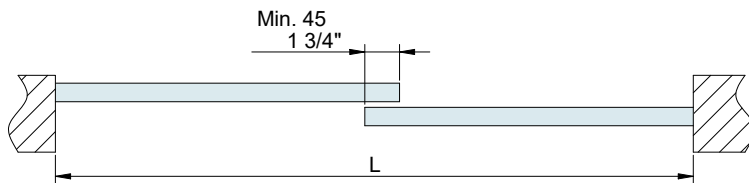
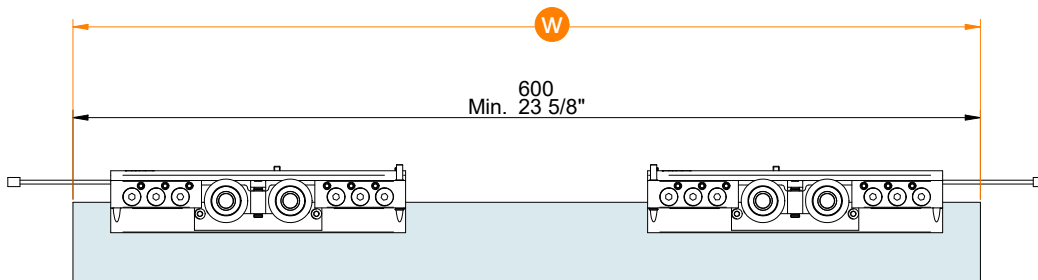
$$A = H - 1 \frac{7}{8}"$$

$$A = H - 47\text{mm}$$

• FIXED GLASS "G"

$$G = H - 2 \frac{5}{16}"$$

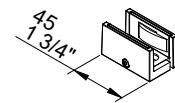
$$G = H - 59\text{mm}$$



• GLASS WIDTH "W"

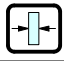
$$W = (L + 45)/2$$

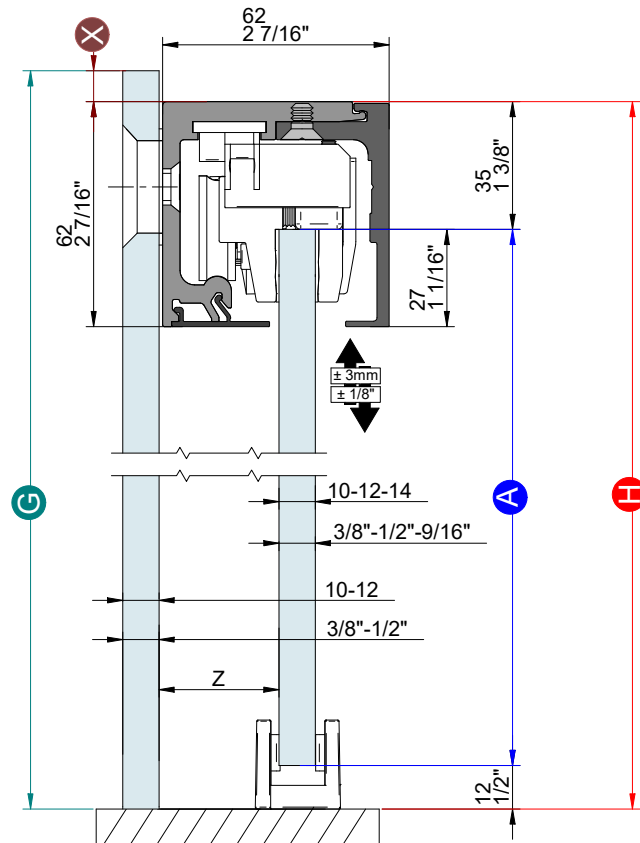
$$W = (L + 1 \frac{3}{4})/2$$



CRL4972- GLASS DEDUCTION AND SECTION

GLASS WALL MOUNT

Z	
32mm - 1 1/4"	10mm - 3/8"
30mm - 1 3/16"	12mm - 1/2"
28mm - 1/18"	14mm - 9/16"



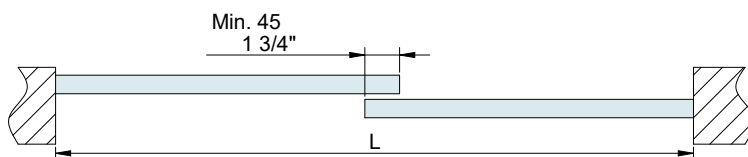
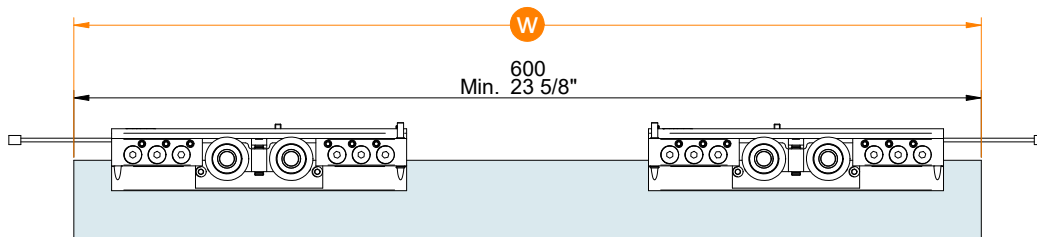
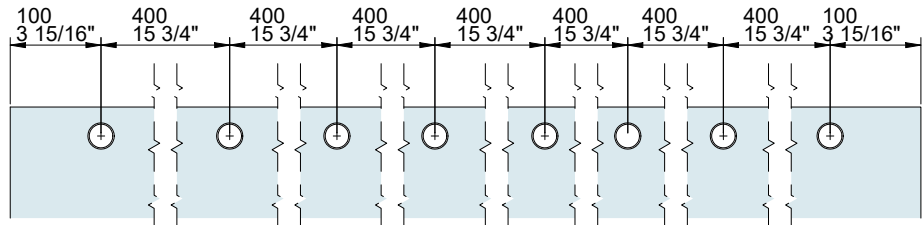
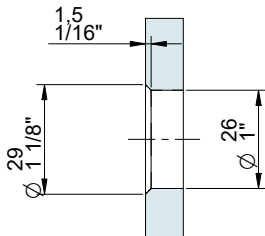
• GLASS HEIGHT "A"      • GLASS WALL "G"

$$A = H - 1 7/8"$$

$$A = H - 47mm$$

$$G = H + X$$

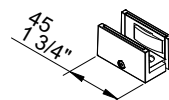
• GLASS WALL FABRICATION FOR CRL490EXT/BSA/MBL INSTALLATION WITH CRL4972 FLUSH MOUNT GLASS SUPPORT.



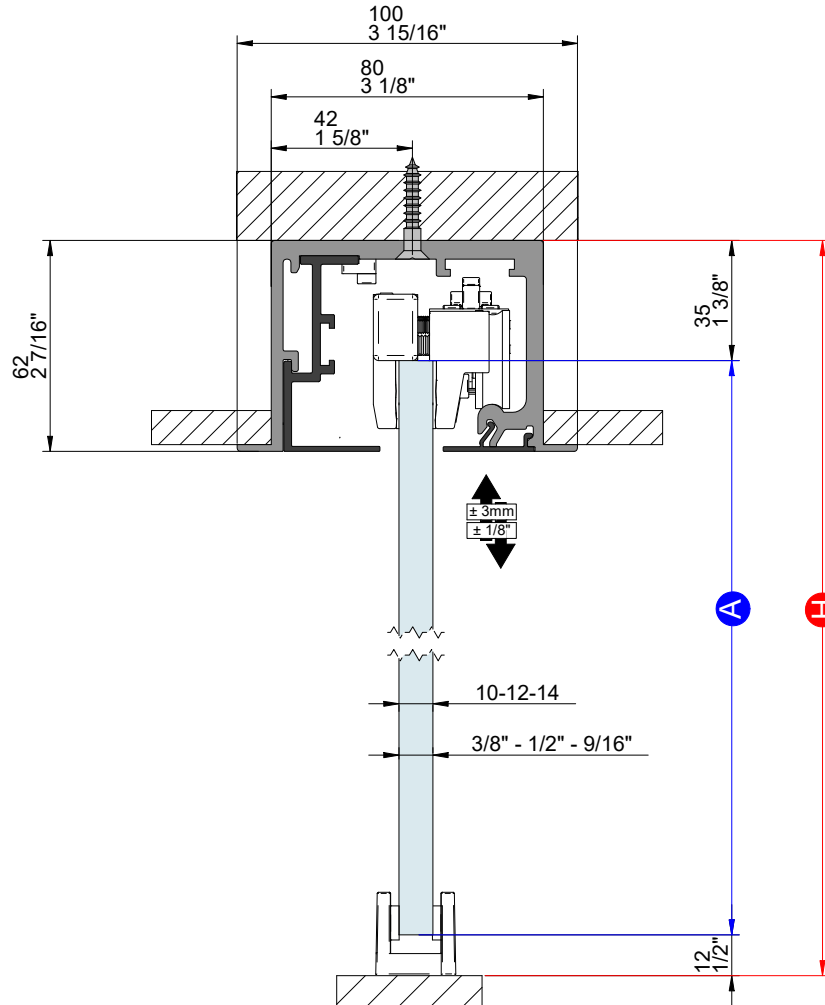
• GLASS WIDTH "W"

$$W = (L + 45)/2$$

$$W = (L + 1 3/4)/2$$



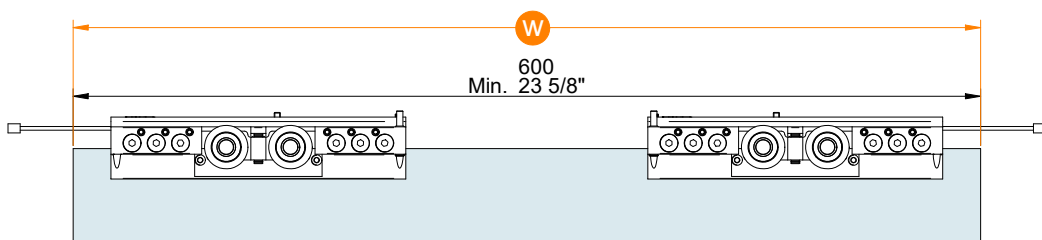
CRL690D - GLASS DEDUCTION AND SECTION



• GLASS HEIGHT "A"

$$A = H - 1 \frac{7}{8}"$$

$$A = H - 47\text{mm}$$




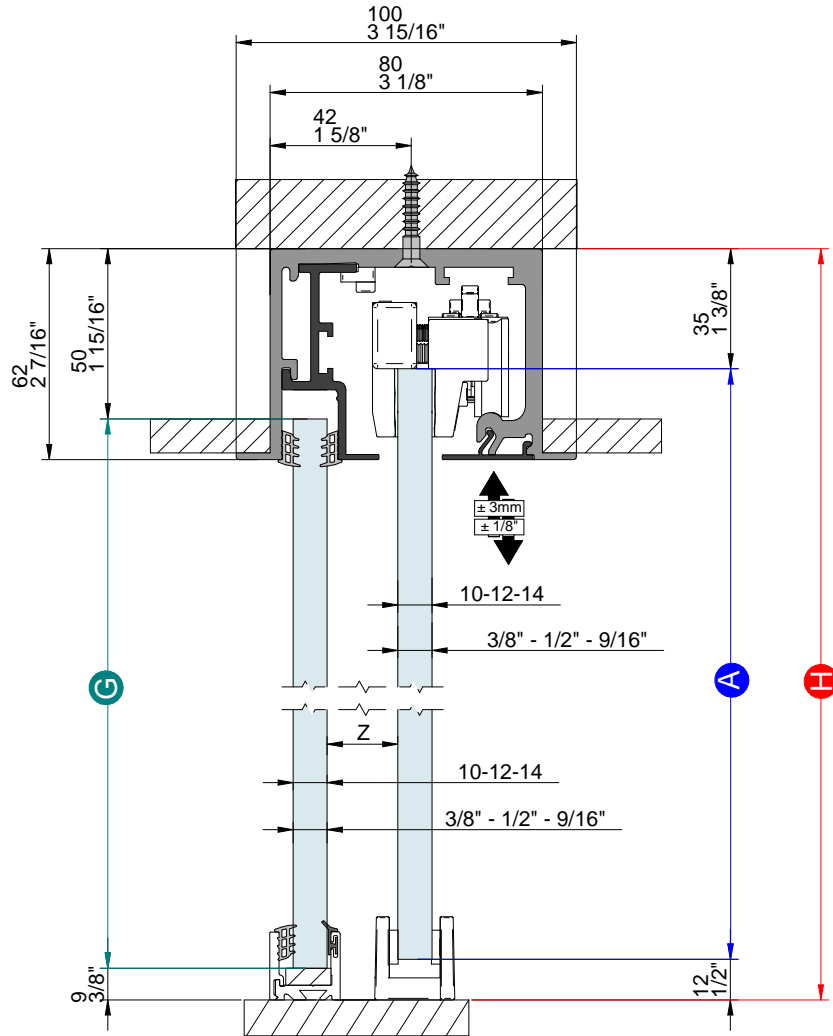
• GLASS WIDTH "W"

$$W = (L + 45) / 2$$

$$W = (L + 1 \frac{3}{4}) / 2$$

CRL6901D - GLASS DEDUCTION AND SECTION

Z	
21mm - 13/16"	→ 10mm - 3/8"
19mm - 3/4"	→ 12mm - 1/2"
17mm - 11/16"	→ 14mm - 9/16"



• GLASS HEIGHT "A"

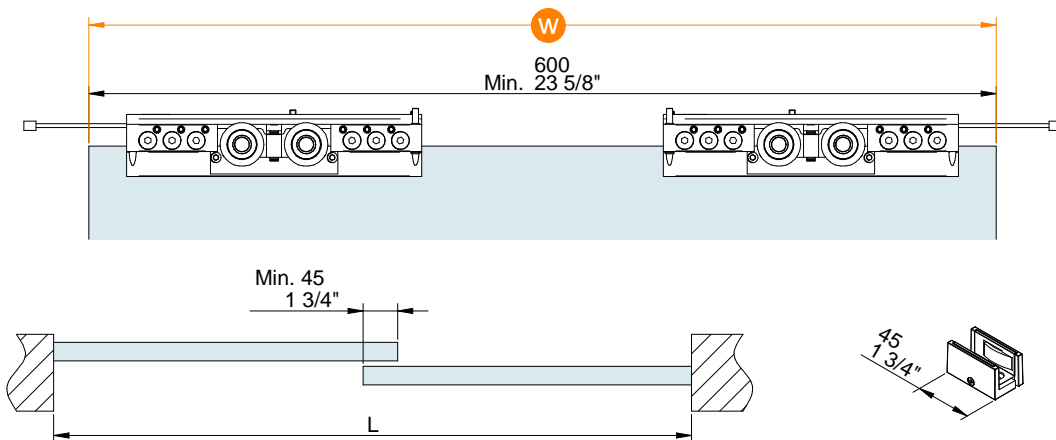
$$A = H - 1 \frac{7}{8}"$$

$$A = H - 47\text{mm}$$

• FIXED GLASS "G"

$$G = H - 2 \frac{5}{16}"$$

$$G = H - 59\text{mm}$$

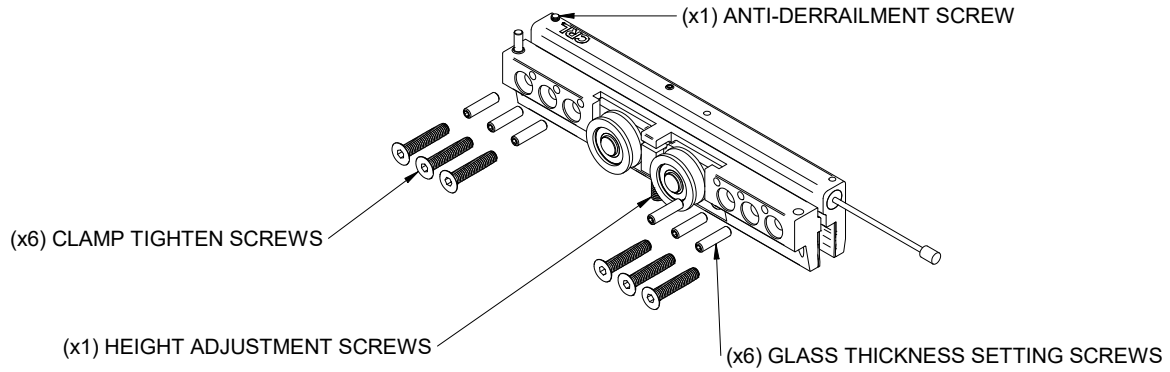
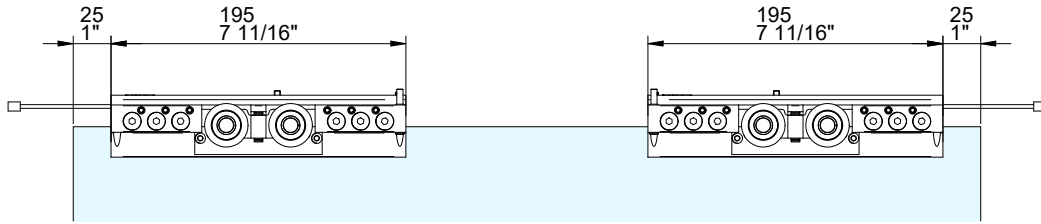


• GLASS WIDTH "W"

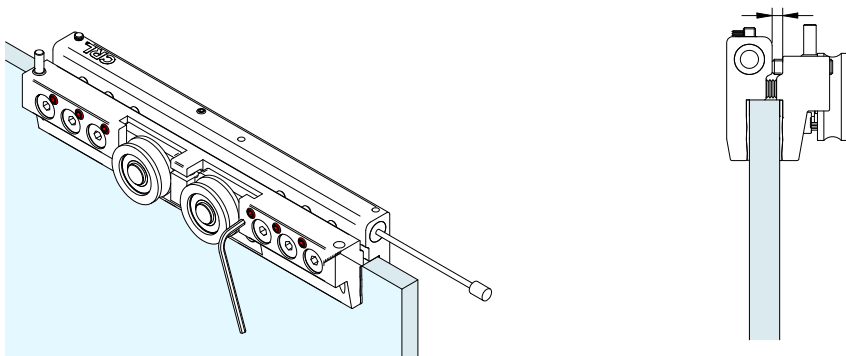
$$W = (L + 45)/2$$

$$W = (L + 1 \frac{3}{4})/2$$

HARDWARE INSTALLATION

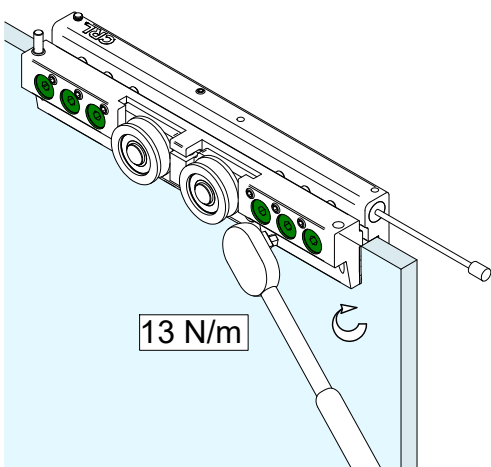


① ADJUST GLASS THICKNESS SCREWS

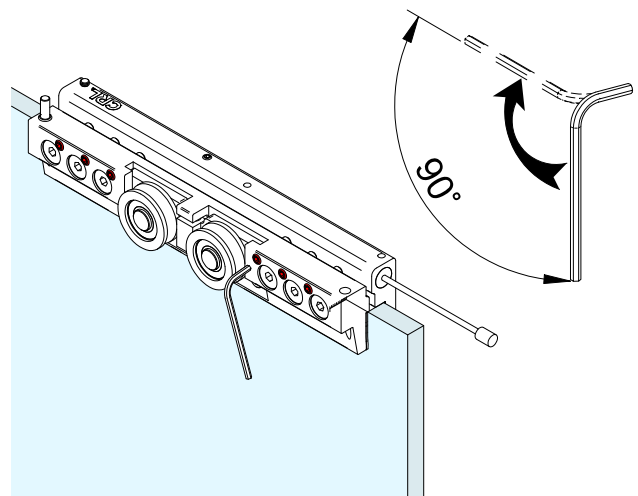


Clamps distance	Glass thickness
1/8" - 3mm	3/8" - 10mm
3/16" - 5mm	1/2" - 12mm
1/4" - 7mm	9/16" - 14mm

② TIGHTEN CLAMPING SCREWS



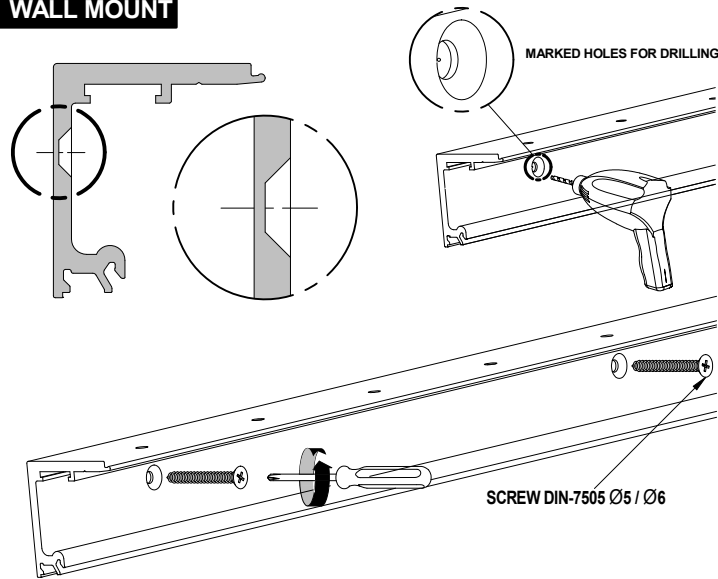
③ TIGHTEN GLASS THICKNESS SCREWS



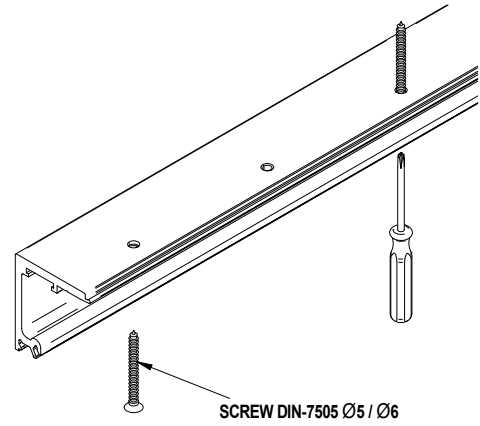


- 4 • Cut track to length. Fix the track to the wall or ceiling using the marked holes, using screws DIN-7505 Ø5 / Ø6 (NOT INCLUDED).  
 • Ensure Track is level.

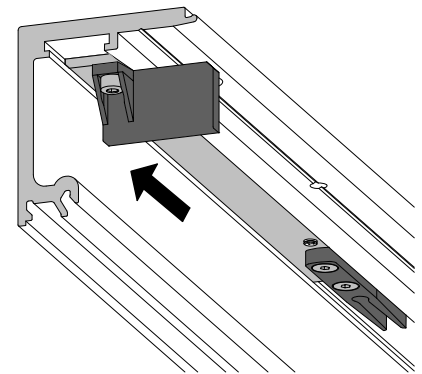
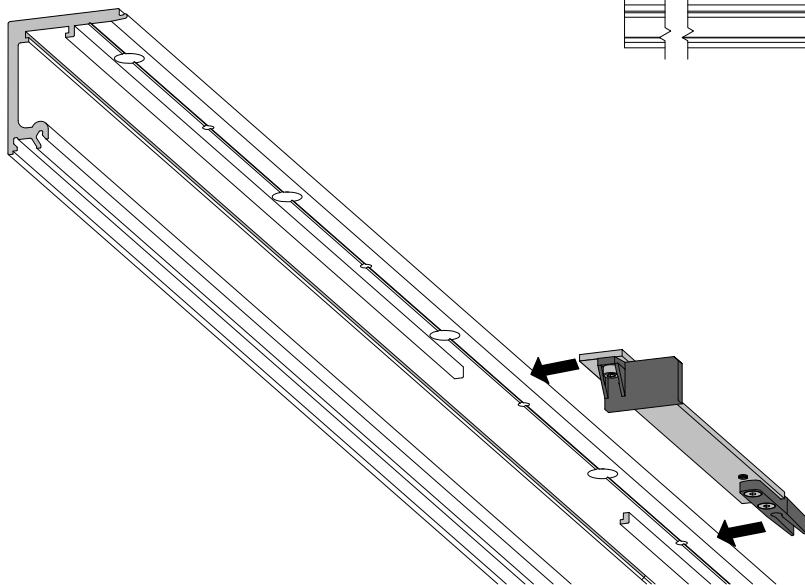
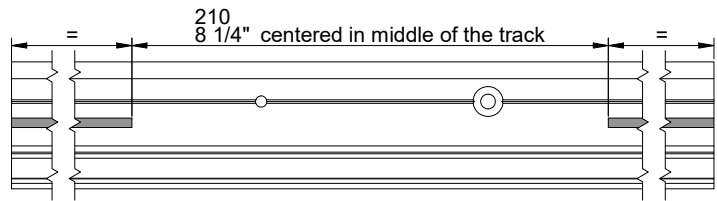
**WALL MOUNT**



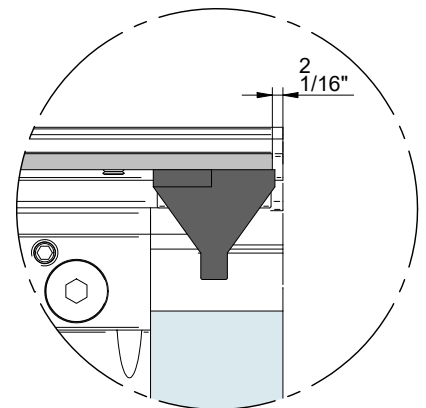
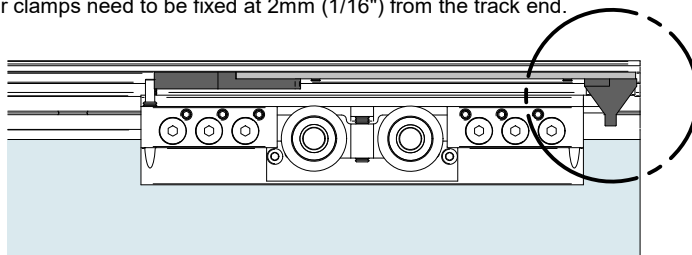
**CEILING MOUNT**



- 5 • Insert Roller Stops CRL4942 using the fast insert

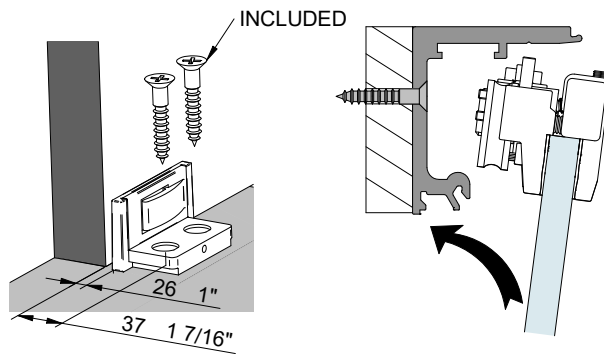


- Roller Stops CRL4942 for clamps need to be fixed at 2mm (1/16") from the track end.



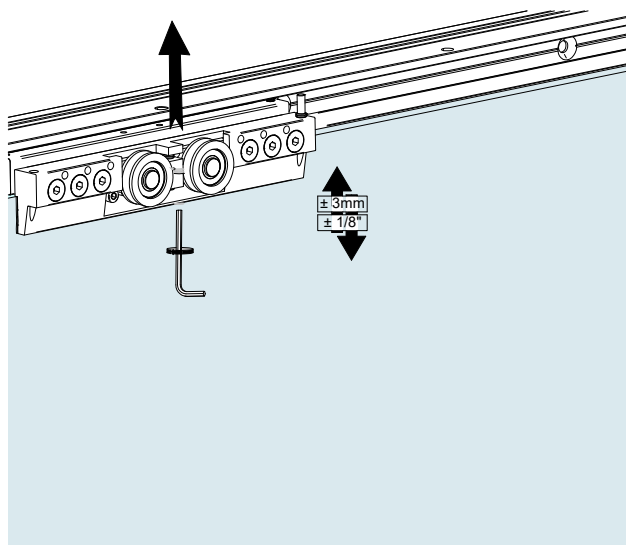
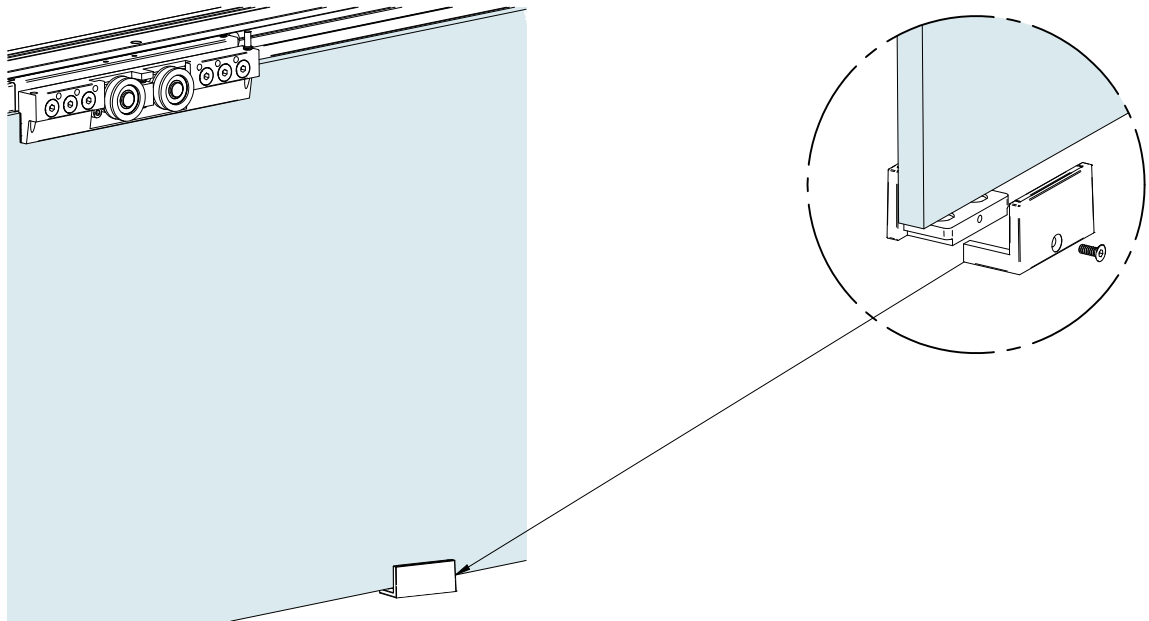
HARDWARE INSTALLATION

- ⑥ • Fix the 1st part of the bottom guide to the floor.  
• Hang the glass panel on the track.



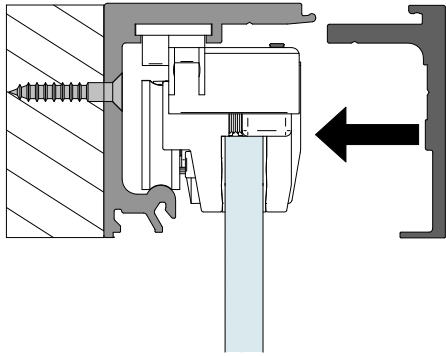
- ⑦ • Fix the second part of the bottom guide and regulate height if necessary supplied in.

HEIGHT ADJUSTMENT

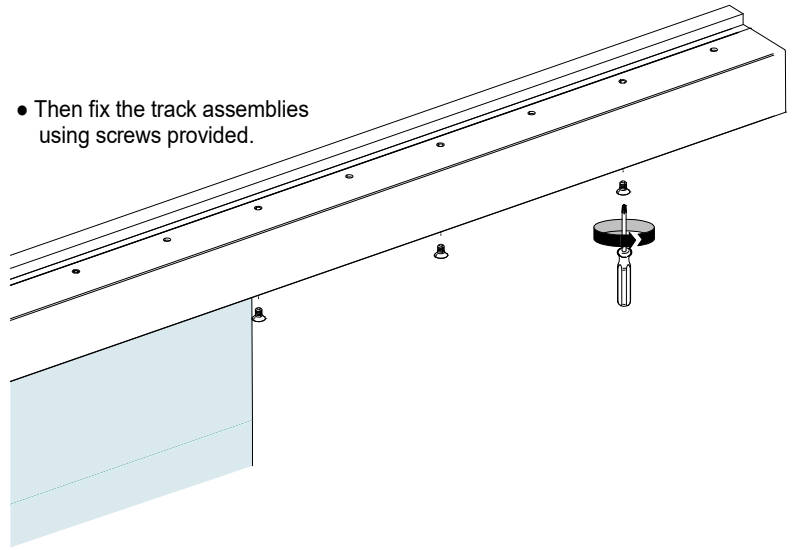


8 TRACK COVER

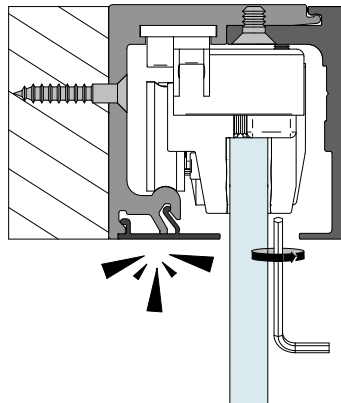
- Insert the track cover.



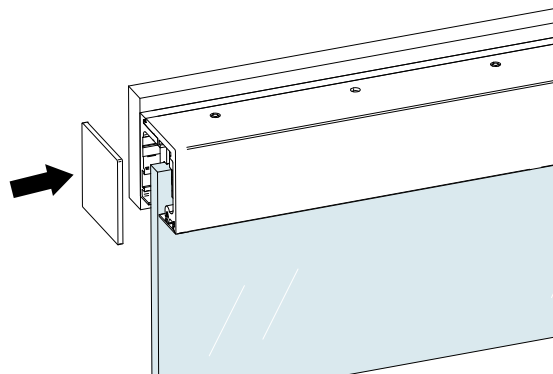
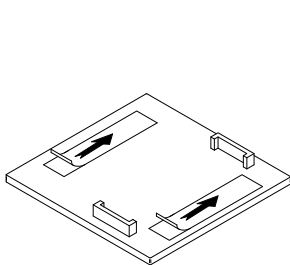
- Then fix the track assemblies using screws provided.



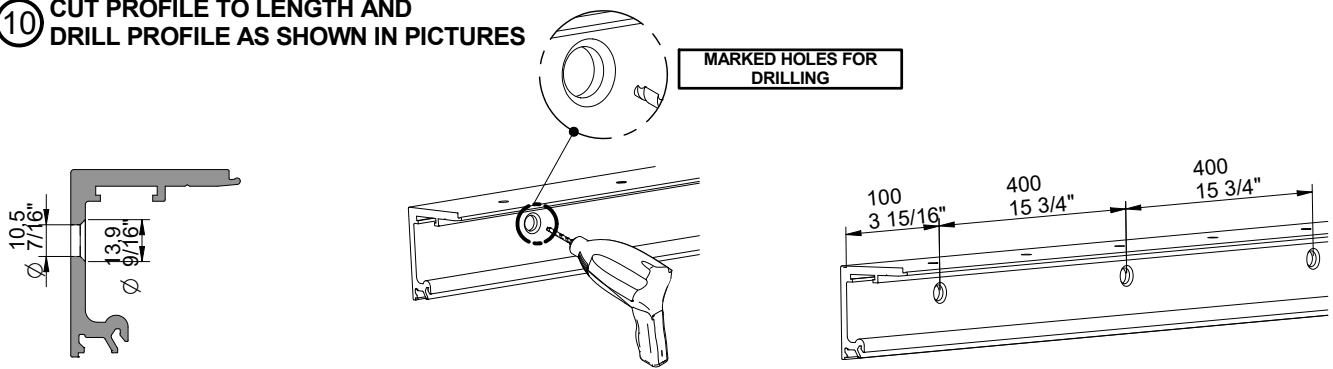
- Regulate the anti-derrailment screw in height.
- Clip trim cover profile



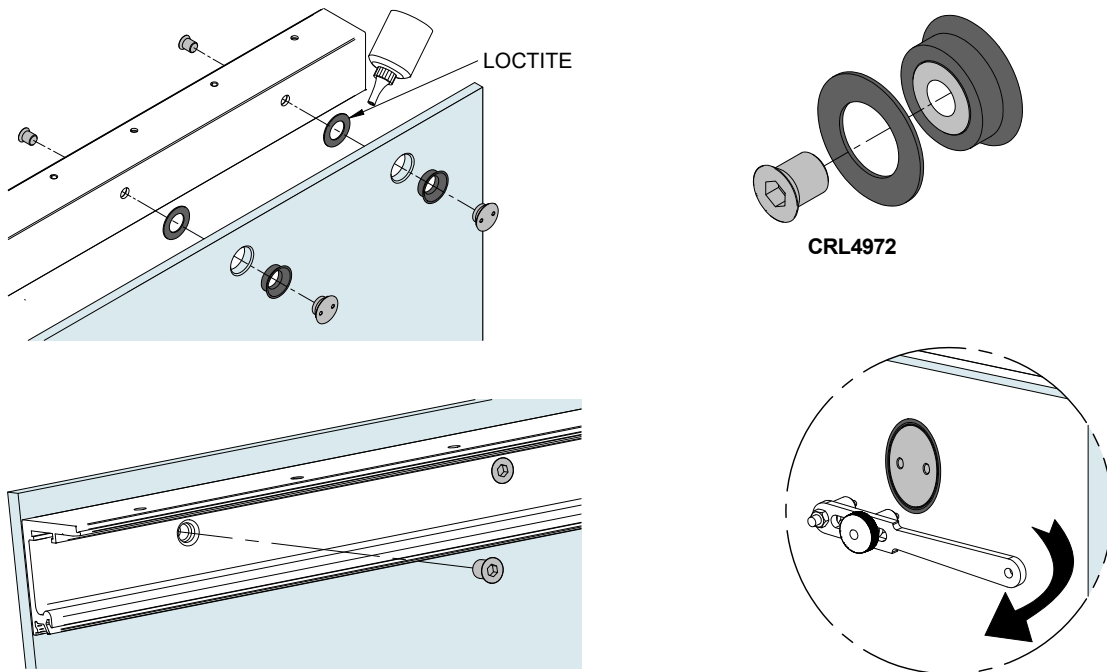
9 END TRACK COVERS



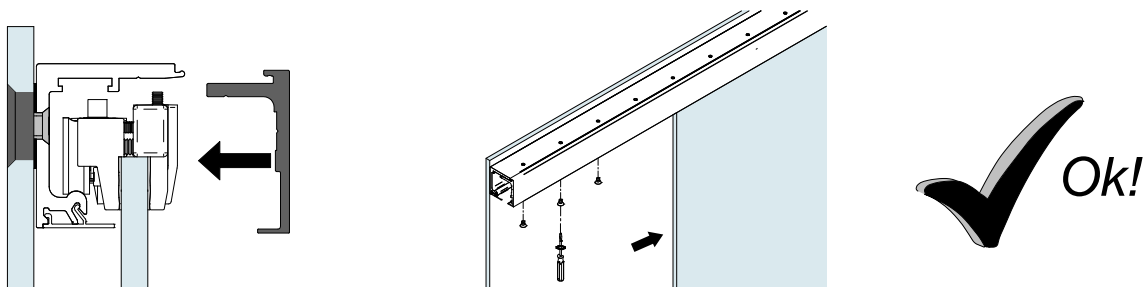
**10 CUT PROFILE TO LENGTH AND DRILL PROFILE AS SHOWN IN PICTURES**



**11 GLASS WALL BRACKET**



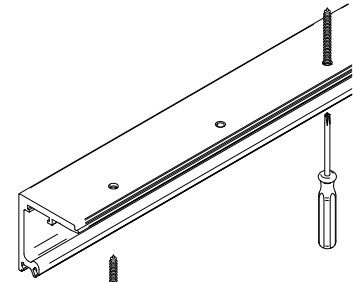
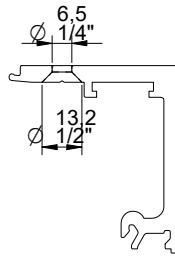
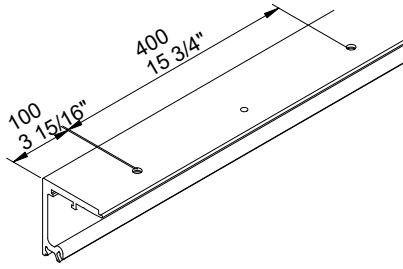
**12**  **FOLLOW INSTALLATION STEPS AS PER CRL695 KIT PAGE 11.**



HARDWARE INSTALLATION

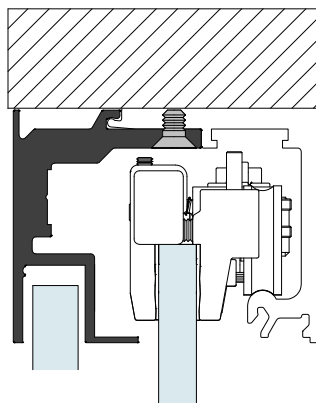
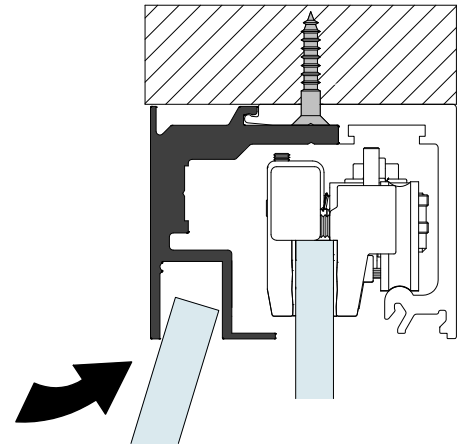
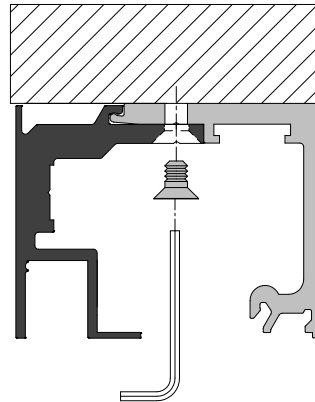
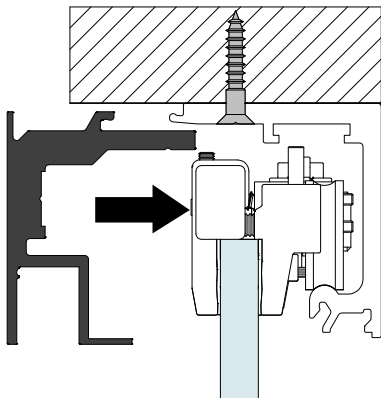
**CEILING MOUNT WITH FIXED GLASS**

**13 CEILING MOUNT**

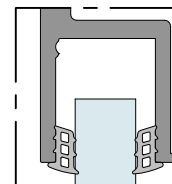
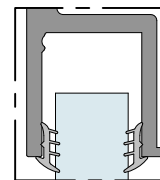


SCREW DIN-7505 Ø5 / Ø6 (NOT INCLUDED)

**14 MOUNT PROFILE FOR FIXED GLASS**

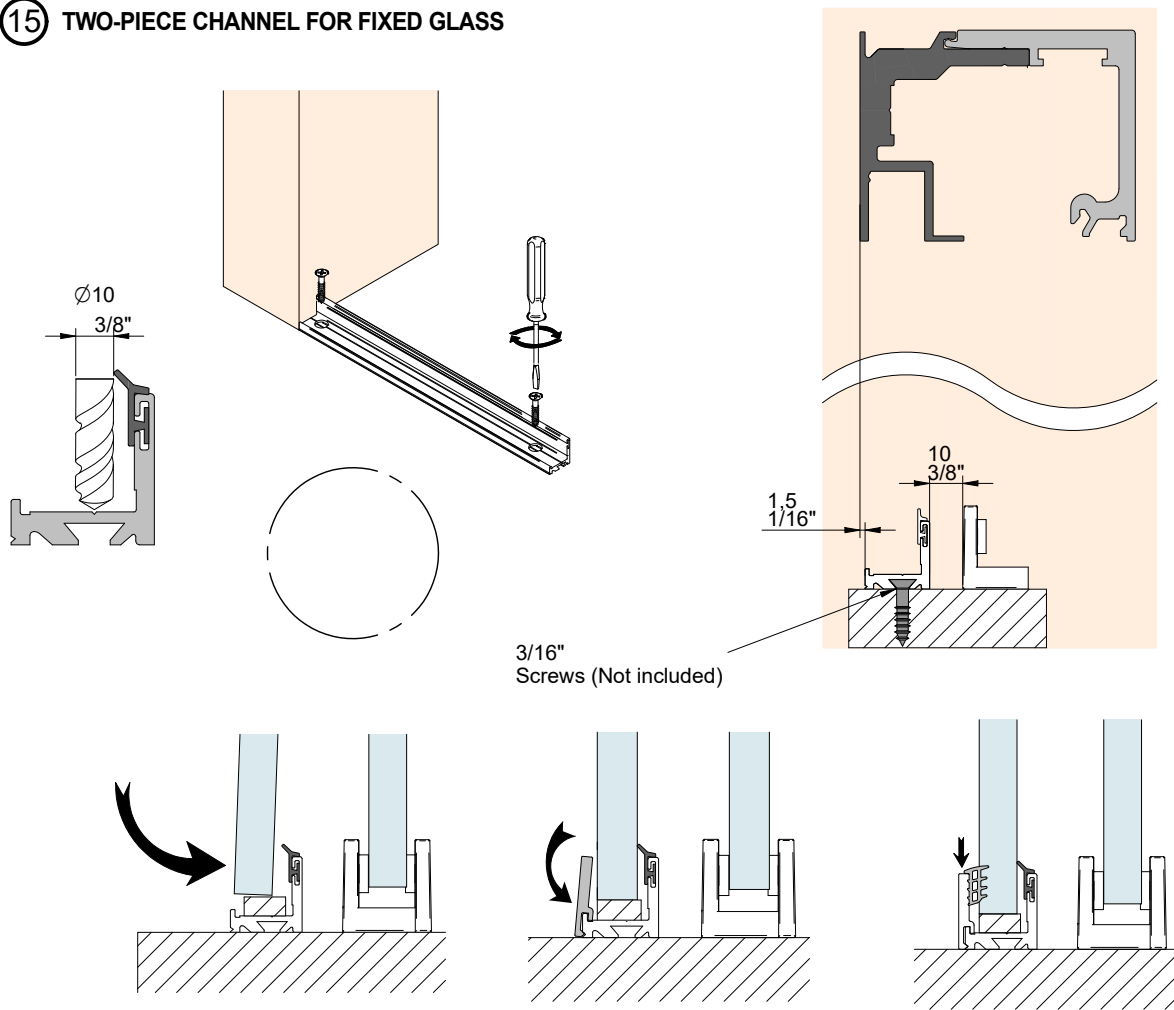


OPTIONAL		
CODE		PVC GASKET
CRL2944	12mm - 1/2"	
CRL2943	10mm - 3/8"	

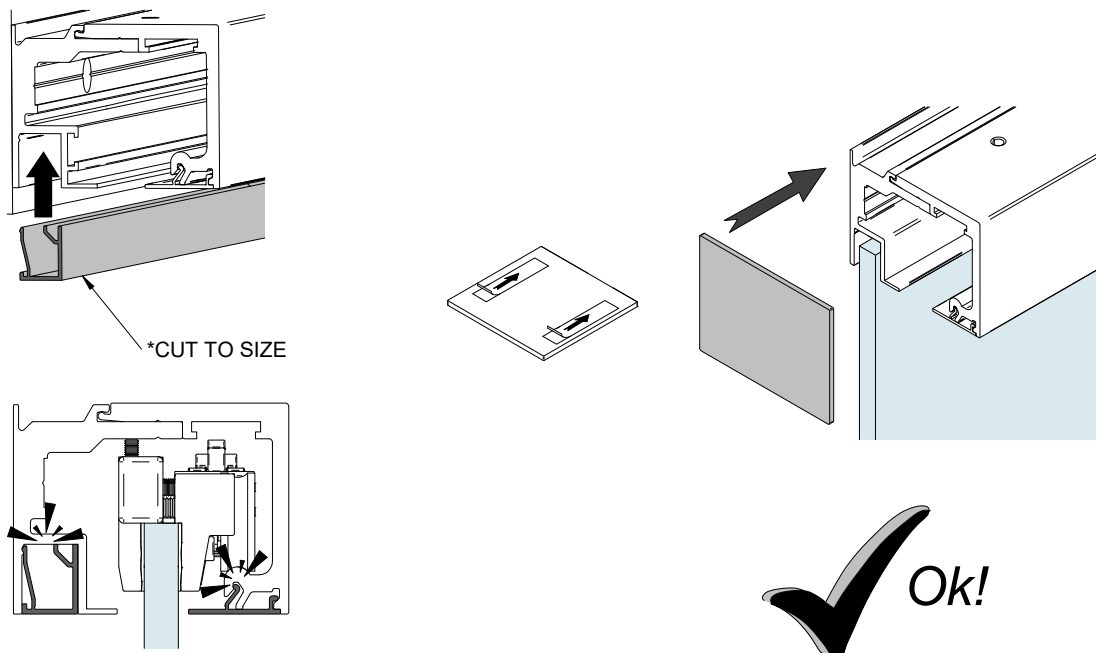


HARDWARE INSTALLATION

15 TWO-PIECE CHANNEL FOR FIXED GLASS



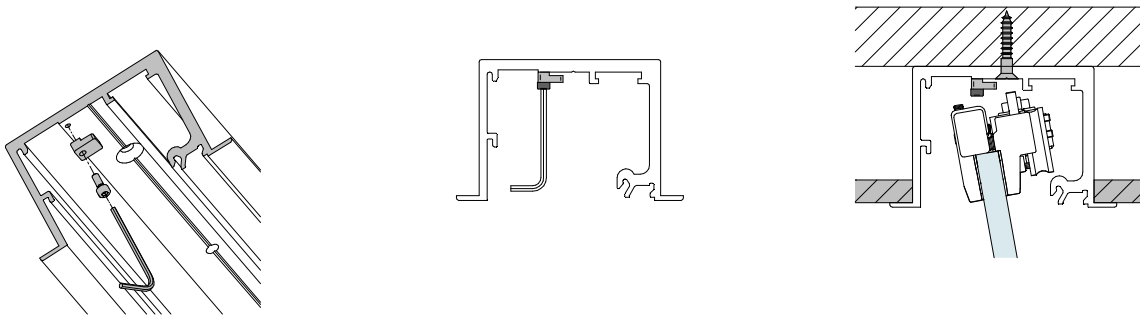
16 TRIM PROFILES AND END COVERS MOUNT



HARDWARE INSTALLATION

FALSE CEILING MOUNT WITH FIXED GLASS

17 INSTALL TRACK FALSE CEILING



18 DIFFERENTS PROFILES MOUNT

