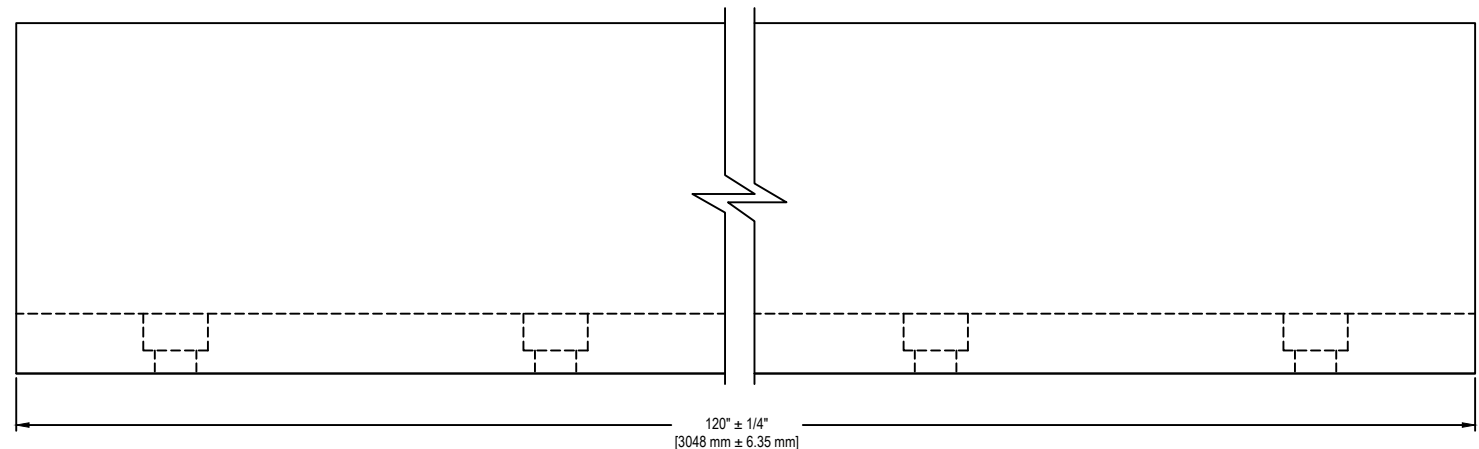
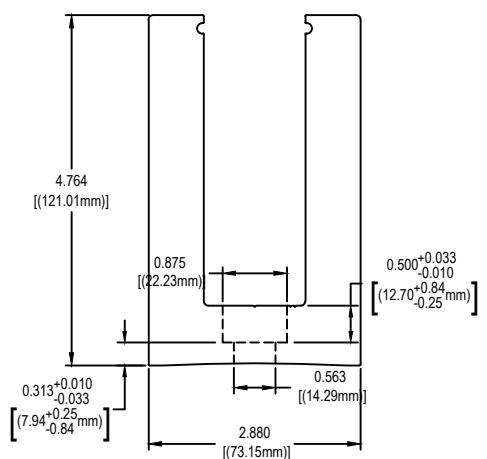
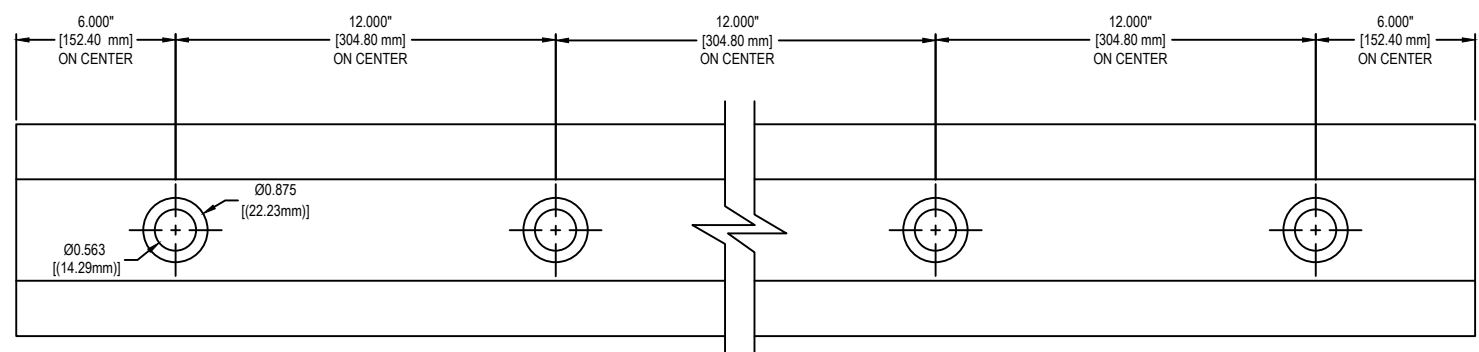
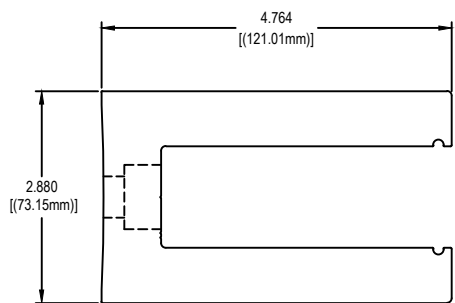


9/16" Laminated Glass Base Shoe with bottom mounting holes 10'



| | | | | | | |
|---|--|-------------|------|----|---|--|
| <p>UNLESS OTHERWISE SPECIFIED DIMENSIONS ARE IN INCHES TOLERANCE IS:</p> <p>Frac ± 1/16 .XX ± .010 .XXX ± .005 ANGLES ± .5 RADIAL</p> | | | | | <p>CRL C.R. Laurence Co., Inc 2100 E. 38TH STREET VERNON, CA 90058 PHONE: (323) 588-1281 FAX: (323) 232-2523</p> | |
| | | | | | | <p>DRAWN BY: CQ SCALE: NTS DATE: 12/16/08 PART NUMBER: L56S10D</p> |
| | REV. | DESCRIPTION | DATE | BY | PART: 9/16" Lami Glass fab base shoe | |
| | <p>THIS DRAWING AND THE DESIGN SHOWN THEREIN IS THE PROPERTY OF C.R.LAURENCE CO., INC. AND USE OR COPIES THEREOF CANNOT BE MADE WITHOUT WRITTEN CONSENT.</p> | | | | | <p>PRODUCT: HRS NOTE: 6063-T52 Mill Finish</p> |
| | | | | | DRAWING NUMBER: L56S10D | |