

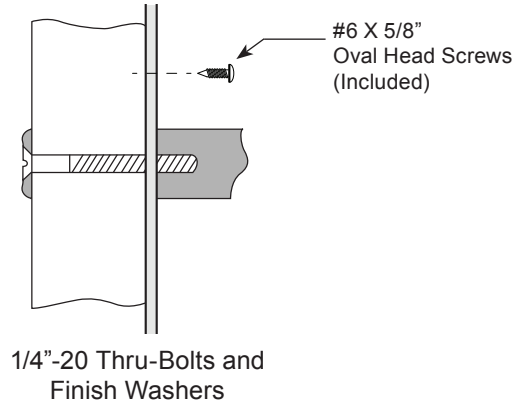
# CRL ALUMINUM DOOR MOUNTED STANDARD PULL HANDLES

## CRL 3/4" DIAMETER 8" PULL HANDLE WITH 3-1/2" X 15" PUSH PLATE

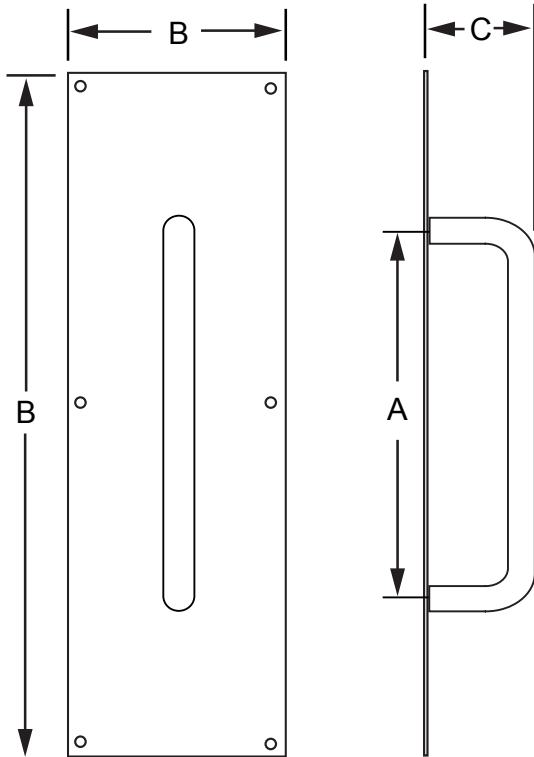


CAT. NO.  
M8732D  
M8728  
M8710B

### INCLUDED MOUNTING HARDWARE



## MOUNTING TEMPLATE



FINISH
M8732D = BRUSHED STAINLESS
M8728 = CLEAR ANODIZED
M8710B = OIL RUBBED BRONZE

**NOTE:** Please select appropriate Cat. No. for color and finish.

A	B	C
8" (203 mm)	3-1/2" x 15" (89 x 381 mm) Plate	2-1/2" (64 mm)

Mounting Options	Wood/Aluminum up to 1-3/4" (45 mm)
Mounting Hardware	Included

**NOTE:** Optional hardware kits must be purchased separately.

