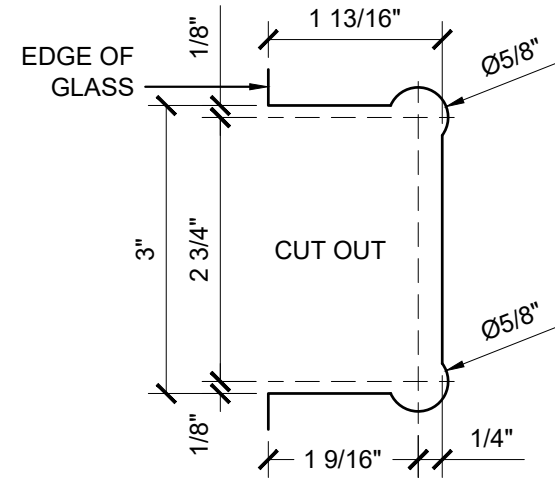
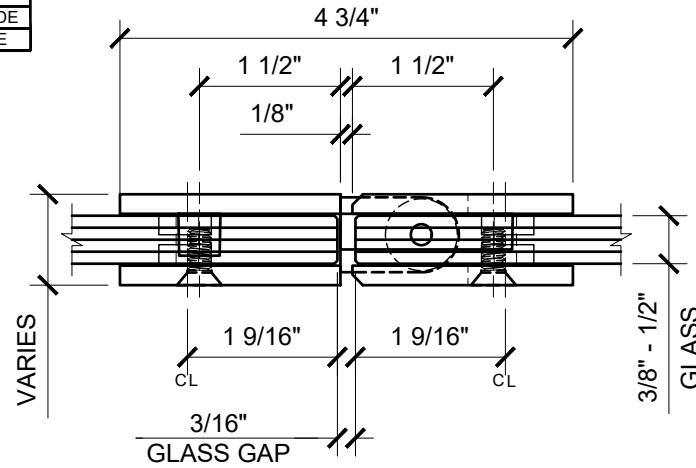
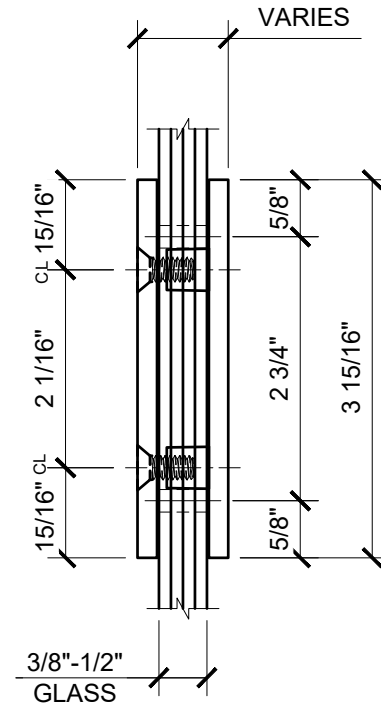
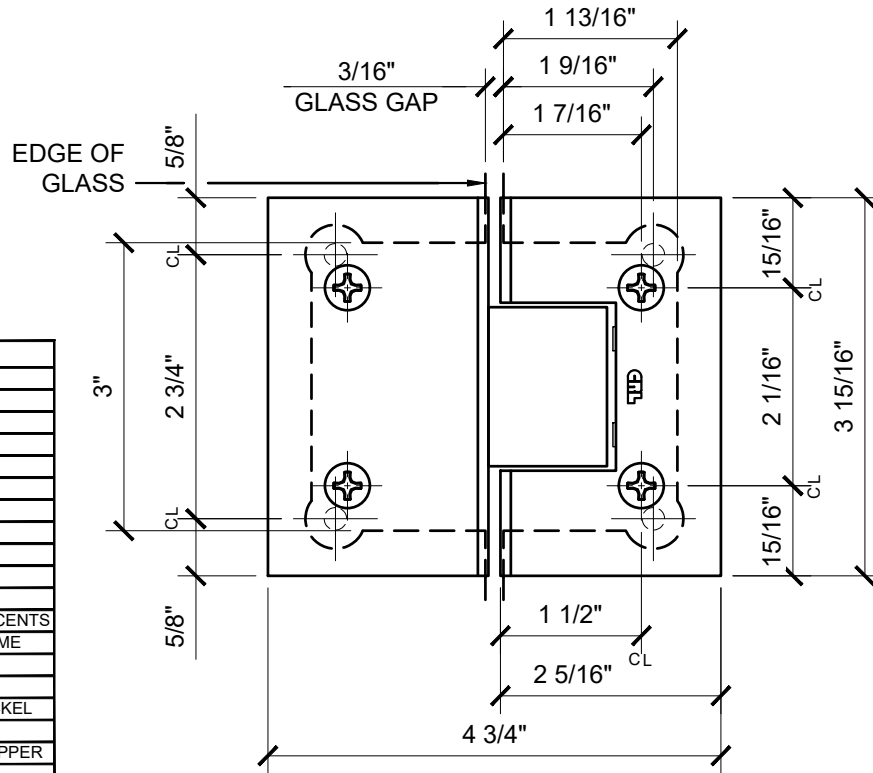


USE OF GASKETS

FOR 3/8" (10mm) GLASS: USE ONE THICK GASKET ON EACH SIDE
 FOR 1/2" (12mm) GLASS: USE ONE THIN GASKET ON EACH SIDE



TEMPLATE FOR DOOR AND FIXED PANEL ARE THE SAME



CATALOG NUMBER	FINISH
V1E380CH	CHROME
V1E380BN	BRUSHED NICKEL
V1E380PN	POLISHED NICKEL
V1E380ORB	OIL RUBBED BRONZE
V1E380BR	BRASS
V1E380MBL	MATTE BLACK
V1E380SB	SATIN BRASS
V1E380SN	SATIN NICKEL
V1E380BBRZ	BRUSHED BRONZE
V1E380SC	SATIN CHROME
V1E380ABR	ANTIQUE BRASS
V1E380BL	BLACK W/ CHROME ACCENTS
V1E380BSC	BRUSHED SATIN CHROME
V1E380GB	GOLD PLATED
V1E380AW	ALL WHITE
V1E380ABN	ANTIQUE BRUSHED NICKEL
V1E380ABRZ	ANTIQUE BRONZE
V1E380ABC0	ANTIQUE BRUSHED COPPER
V1E380GM	GUN METAL
V1E380CBA	CHROME W/ BRASS ACCENTS
V1E380BC0	BRUSHED COPPER
V1E380ABL	ALL BLACK
V1E380WC	WHITE W/ CHROME ACCENTS

V1E380XX - CRL VIENNA SERIES 180° GLASS TO GLASS HINGE ADJUSTABLE

DATE: 11/06/17
 SCALE: 6"=1'-0"
 DRAWN BY: VM

DESCRIPTION: CRL V1E380
 VIENNA SERIES 180°
 GLASS TO GLASS HINGE ADJUSTABLE

C.R.LAURENCE CO. ARCHITECTURAL PRODUCTS
 2503 E. Vernon Avenue, Los Angeles, C.A 90058-1897
 PH (800)-421-6144 FX: 800-587-7501 www.crlaurence.com

