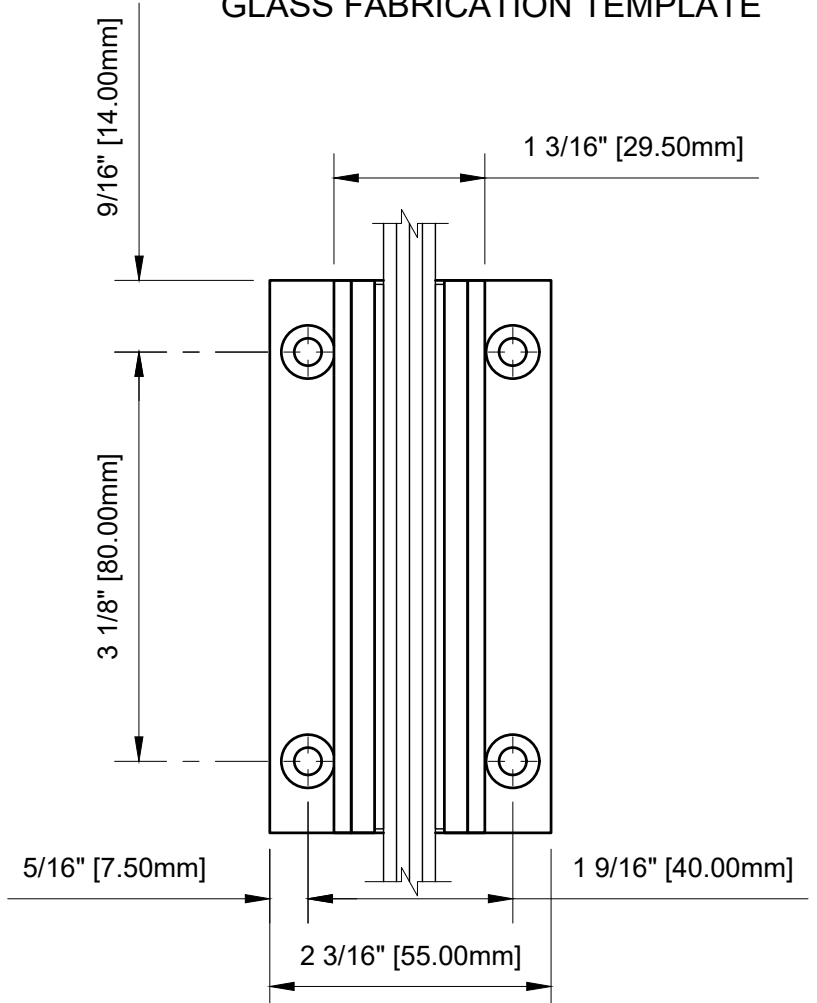
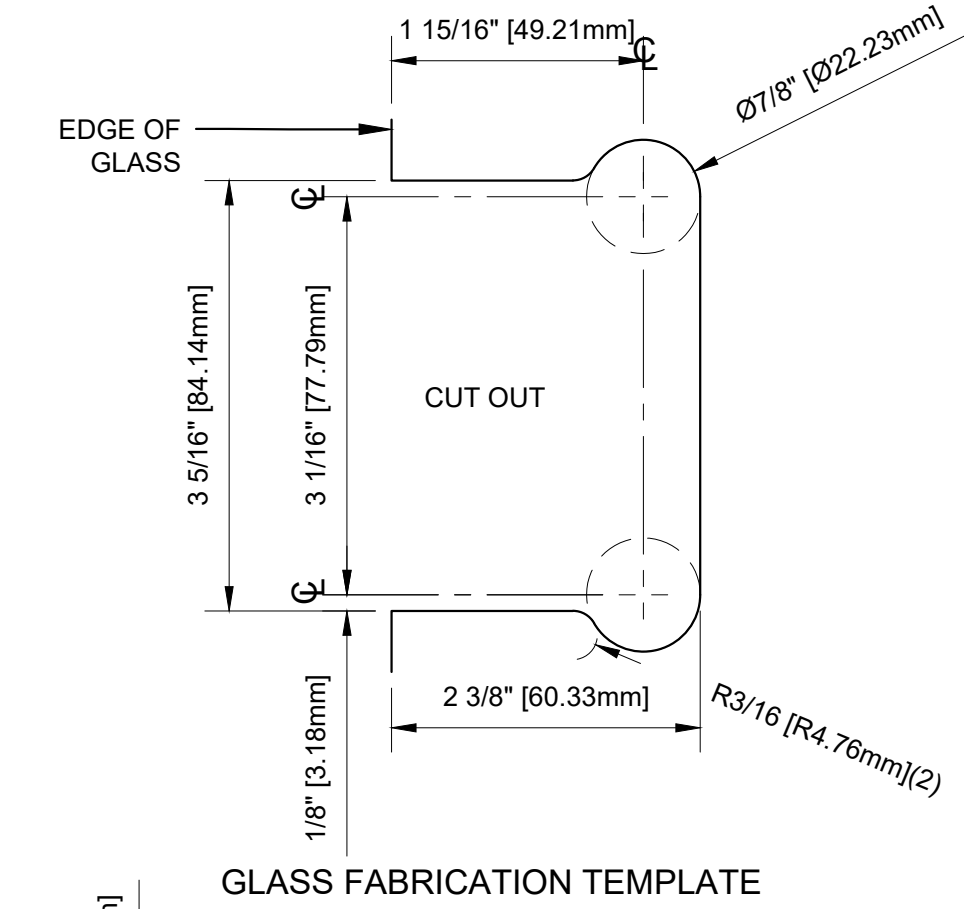
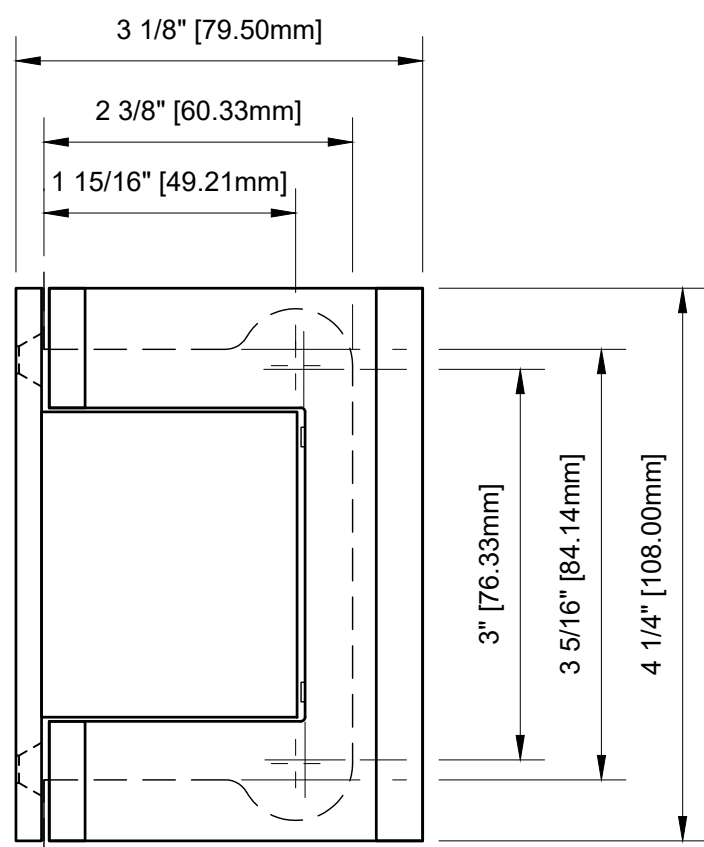
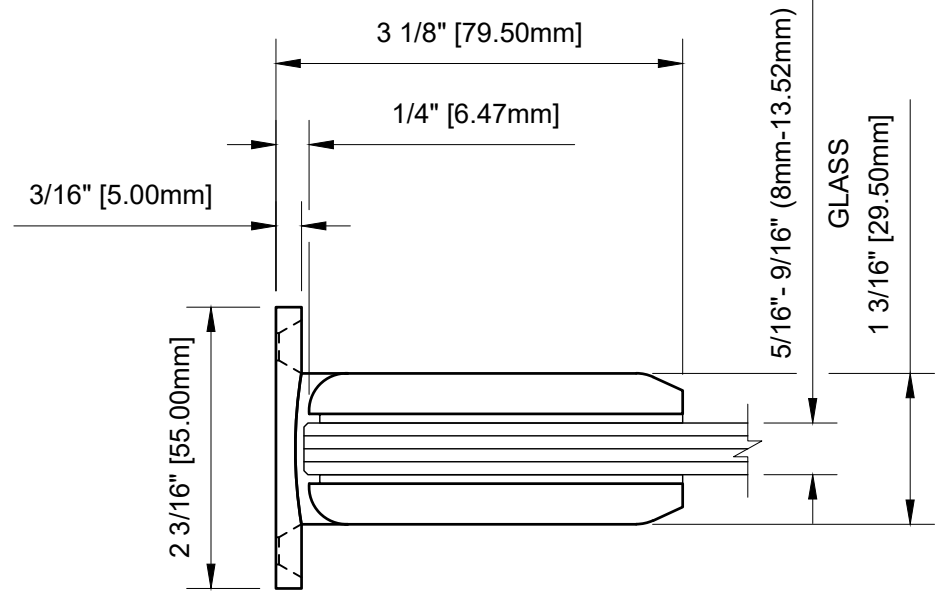


GLASS
5/16" (8mm)
9/16" (13.52mm)



CATALOG NUMBER	FINISH
31M8010BTCH	BRITE CHROME
31M8010BTSN	BRUSHED SATIN NICKEL
31M8010CPS	POLISHED STAINLESS

31M8010XX - CRL VERNON SERIES FULL BACK PLATE WALL MOUNT HOLD OPEN

DATE:	1/28/19
SCALE:	6"=1'-0"
DRAWN BY:	VM

DESCRIPTION: CRL VERNON SERIES HINGE  
CTS  
CRL 31M8010  
FULL BACK PLATE WALL MOUNT HOLD OPEN

C.R. LAURENCE CO. ARCHITECTURAL PRODUCTS  
2503 E. Vernon Avenue, Los Angeles, C.A 90058-1897  
PH (800)-421-6144 FX: 800-587-7501 www.crlaurence.com

