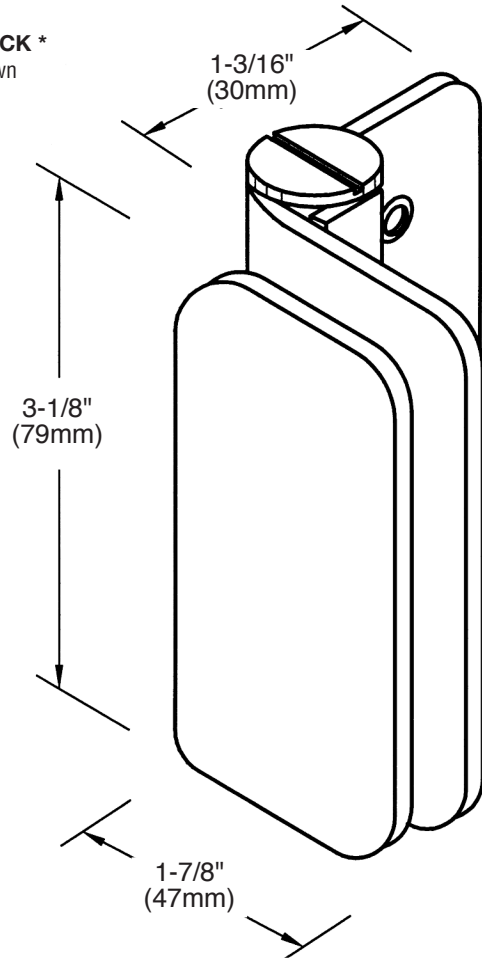




*** SEE TEMPLATE ON BACK ***
Refer to Dimensions Shown
to Ensure Accuracy



ZURICH

Inswing Wall Mount Hinge

CAT. NO. ZUR03

***NOTE:** Do not exceed either maximum weight or width when choosing proper quantity of hinges.

Specifications:

Glass Sizes: 5/16" (8mm) to 3/8" (10mm) thick tempered safety glass
Construction: Stainless steel or solid brass
Closing Type: Free-swinging
Two Holes Required (No Cutout)
Includes: Gaskets, screws and template

Maximum Door Capacities for Two Hinges or Three Hinges

Maximum Door Weight:	100 lbs. (45 kg)	150 lbs. (68 kg)
Maximum Door Width:	36" (914mm)	40" (1016mm)

Use of Gaskets:

For 5/16" (8mm) Glass: Use one thick gasket on each side

For 3/8" (10mm) Glass: Use one thin gasket on each side

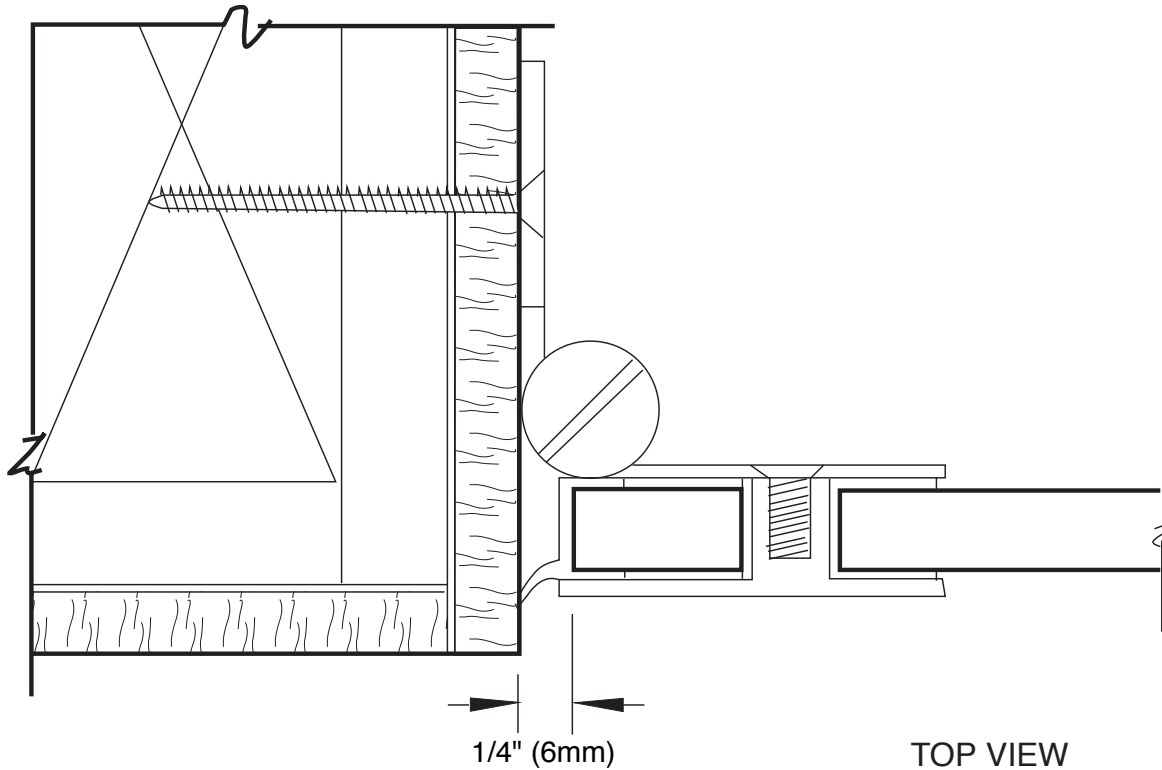
Recommendations:

For public safety, we recommend the use of only tempered safety glass.
Do not use power tools when installing these hinges.

Maintenance Guidelines:

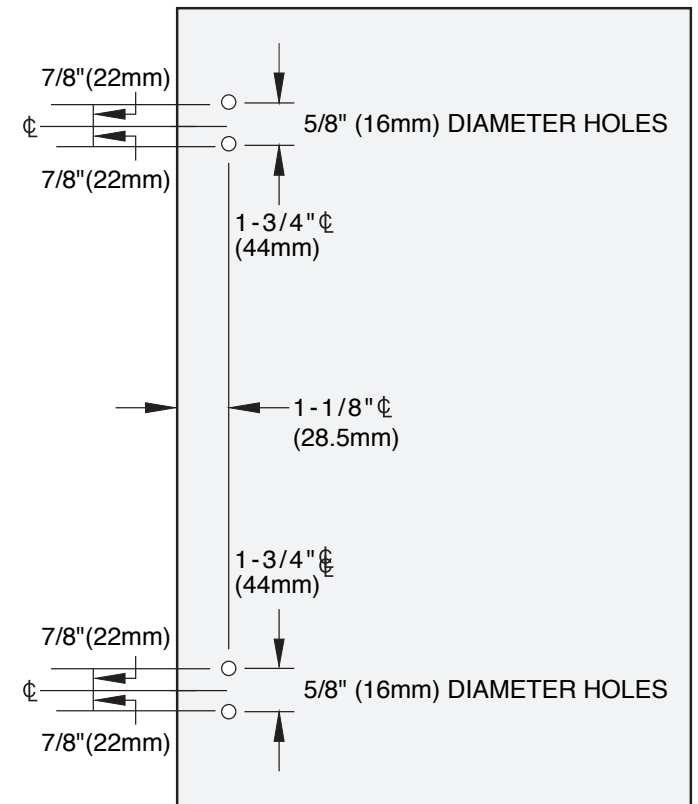
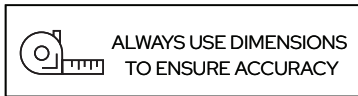
- Never use an abrasive cleaner on the hardware. Many of the components are coated with a clear lacquer that will be irreparably damaged if subjected to harsh, abrasive chemicals. Advise your customer that drying the hardware with a clean, soft towel on a daily basis is the best way to maintain the hardware. If mineral deposits build-up, mix a couple of drops of a mild liquid soap (such as Ivory or a similar product) into a cup of warm water. Using a soft, non-abrasive cloth, clean the hardware. Rinse thoroughly with clean, warm water and dry.

IMPORTANT: Project measurements from the edge of the glass.



1/4" (6mm)

TOP VIEW



DOOR PANEL

ZURICH

180° Glass-to-Glass Inswing or Bi-Fold Outswing Hinge

CAT. NO. ZUR03