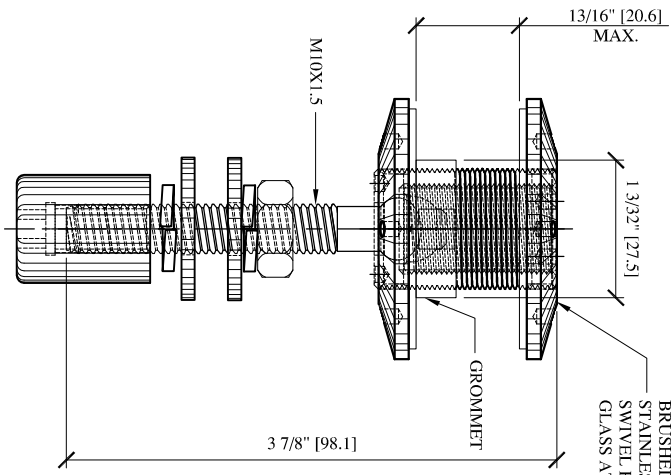
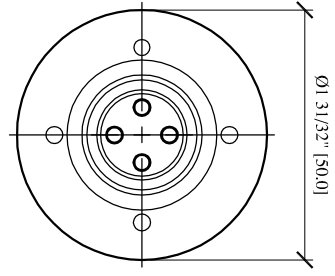
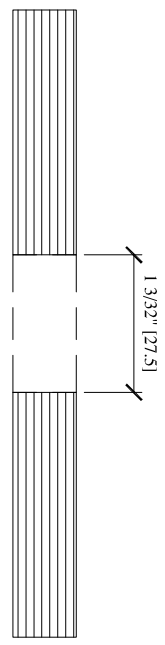


CRL SWIVEL HEAD COMBINATION GLASS ATTACHMENT	
CATALOG NUMBER	FINISH
RSFEX10BS	BRUSHED STAINLESS
RSFEX10PS	POLISHED STAINLESS



CRL RSFEX10BS/CRL RSFEX10PS
BRUSHED / POLISHED
STAINLESS STEEL
SWIVEL HEAD COMBINATION
GLASS ATTACHMENT



GLASS FABRICATION

1 RSFEX10
Scale: 1:1

CUSTOMER SIGNATURE: X DATE: _____

SHT #	1
JOB #	_____
SCALE	1:1
CHECKED BY	J.R.M.
DATE	12-28-2010

Part No: _____
No. RSFEX10
Phone: -
Fax: -

CRL
C.R. LAURENCE CO.
ARCHITECTURAL PRODUCTS
2503 E. Vernon Avenue, Los Angeles, CA 90058
Phone: 800-421-4144 Fax: 800-262-3299
www.crlaurence.com

REVISIONS	_____
_____	_____
_____	_____