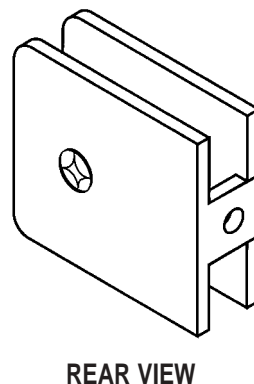
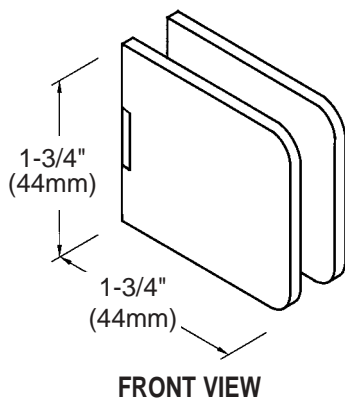




**C.R. LAURENCE CO., INC.**  
 PROFESSIONAL QUALITY

**GLASS CLAMPS**  
 Junior Fixed Panel U-Clamp  
 CAT. No. UC66

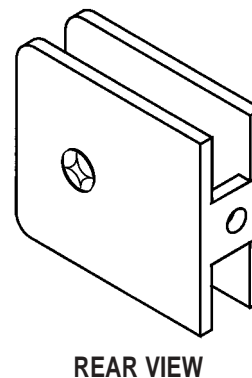
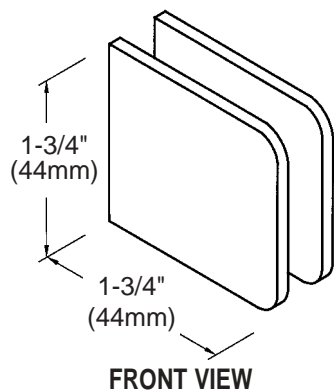


**Specifications:**

**Material:** Solid brass  
**Glass Thickness:** 1/4" (6mm)  
**Hole Size Required:** 5/8" (16mm) or 3/4" (19mm)  
**Includes:** Mounting screws and gaskets

**Template Shown on Next Page**

**GLASS CLAMPS**  
 Fixed Panel U-Clamp  
 CAT. No. UC77

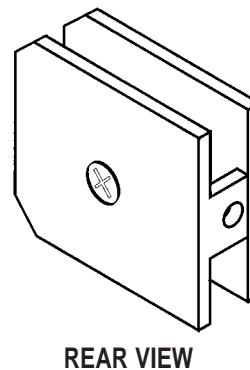
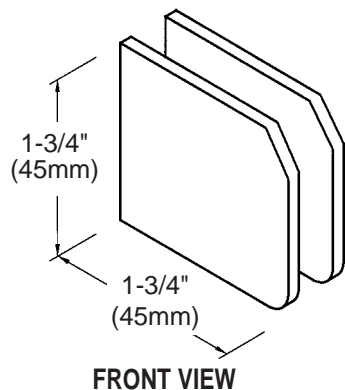


**Specifications:**

**Material:** Solid brass  
**Glass Thickness Range:** 5/16" (8mm) to 1/2" (12mm)  
**Hole Size Required:** 5/8" (16mm) or 3/4" (19mm)  
**Includes:** Mounting screws and gaskets  
**Note:** An additional set of gaskets is required for 5/16" (8mm) glass

**Template Shown on Next Page**

**GLASS CLAMPS**  
 Monaco Glass Clamp  
 CAT. No. MO638



**Specifications:**

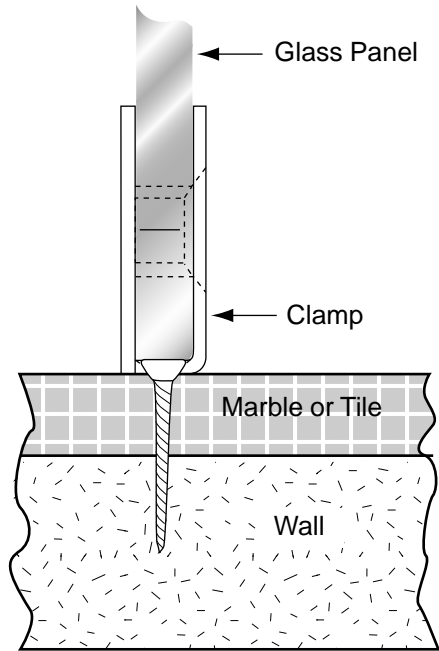
**Material:** Solid brass  
**Glass Thickness Range:** 1/4" (6mm) to 5/16" (8mm)  
**Hole Size Required:** 5/8" (16mm) or 3/4" (19mm)  
**Includes:** Mounting screws and gaskets

**Template Shown on Next Page**



**C.R. LAURENCE CO., INC.**  
**PROFESSIONAL QUALITY**

## TYPICAL INSTALLATION



END VIEW

## GLASS CLAMPS

Junior Fixed Panel U-Clamp

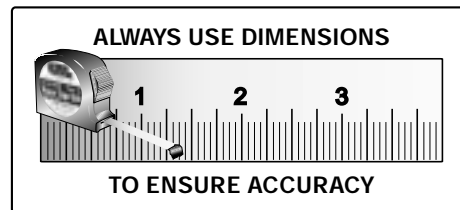
CAT. No. UC66

Fixed Panel U-Clamp

CAT. No. UC77

Monaca Glass Clamp

CAT. No. M0638



## TEMPLATE

**Important:** Project measurements from the edge of the glass.

