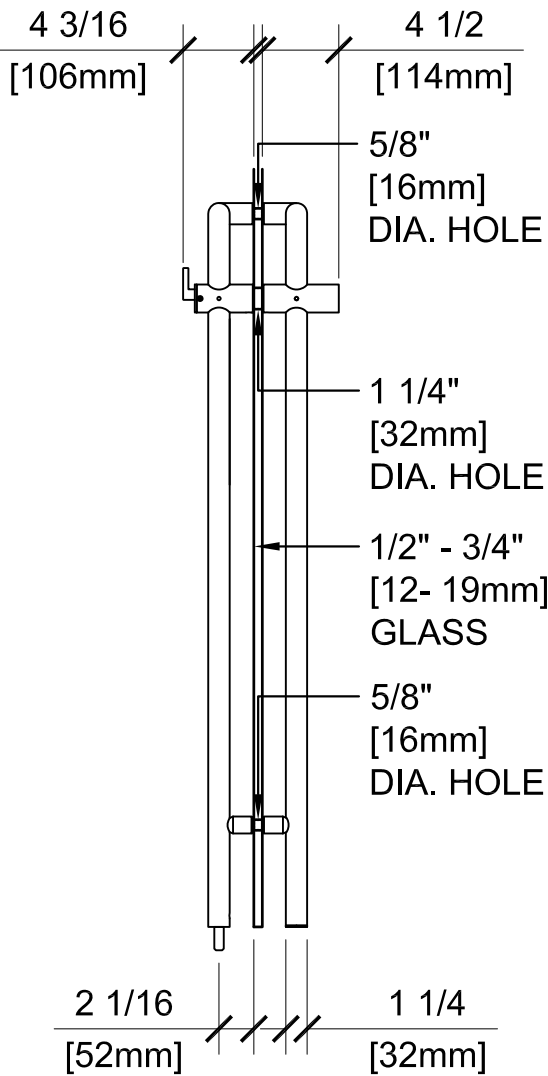
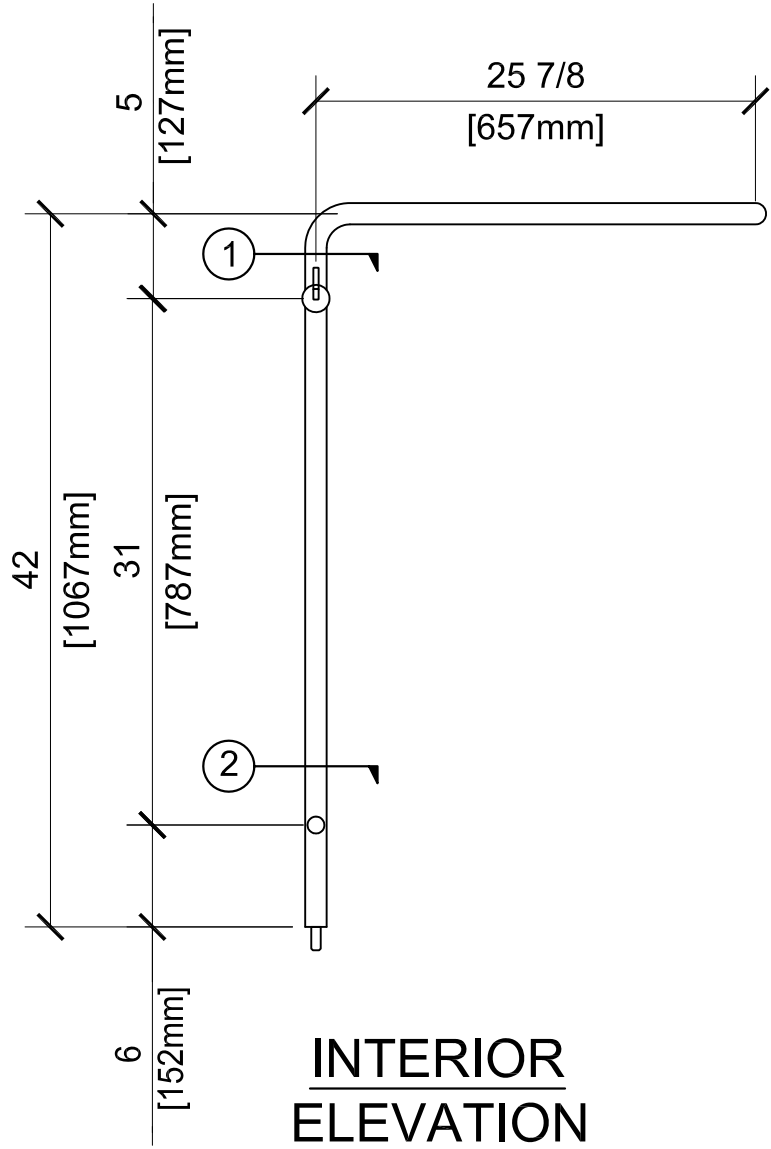


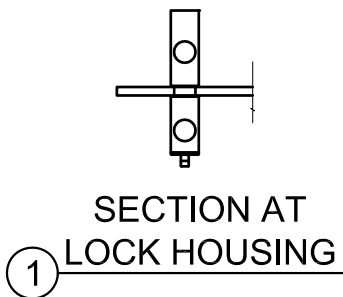
# LLPA110CLxx



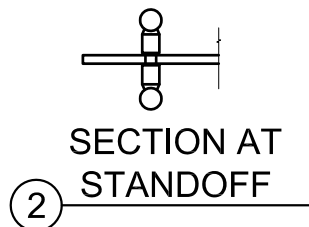
**SIDE VIEW**



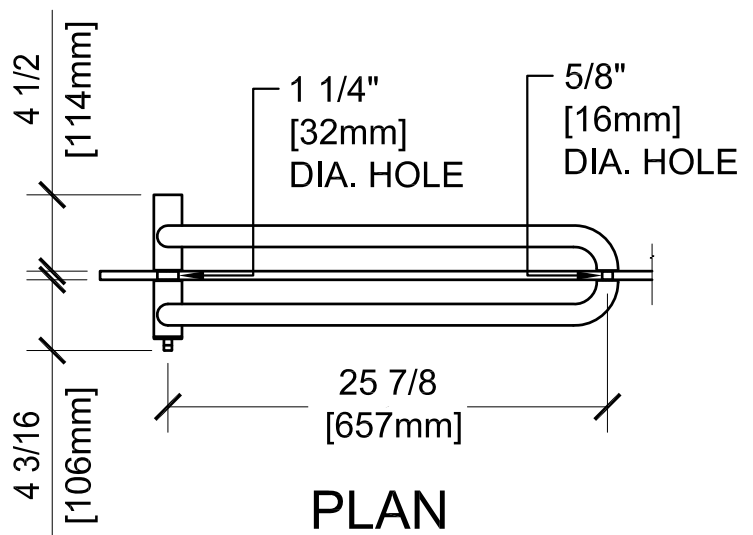
**INTERIOR ELEVATION**



SECTION AT LOCK HOUSING



SECTION AT STANDOFF



**PLAN**