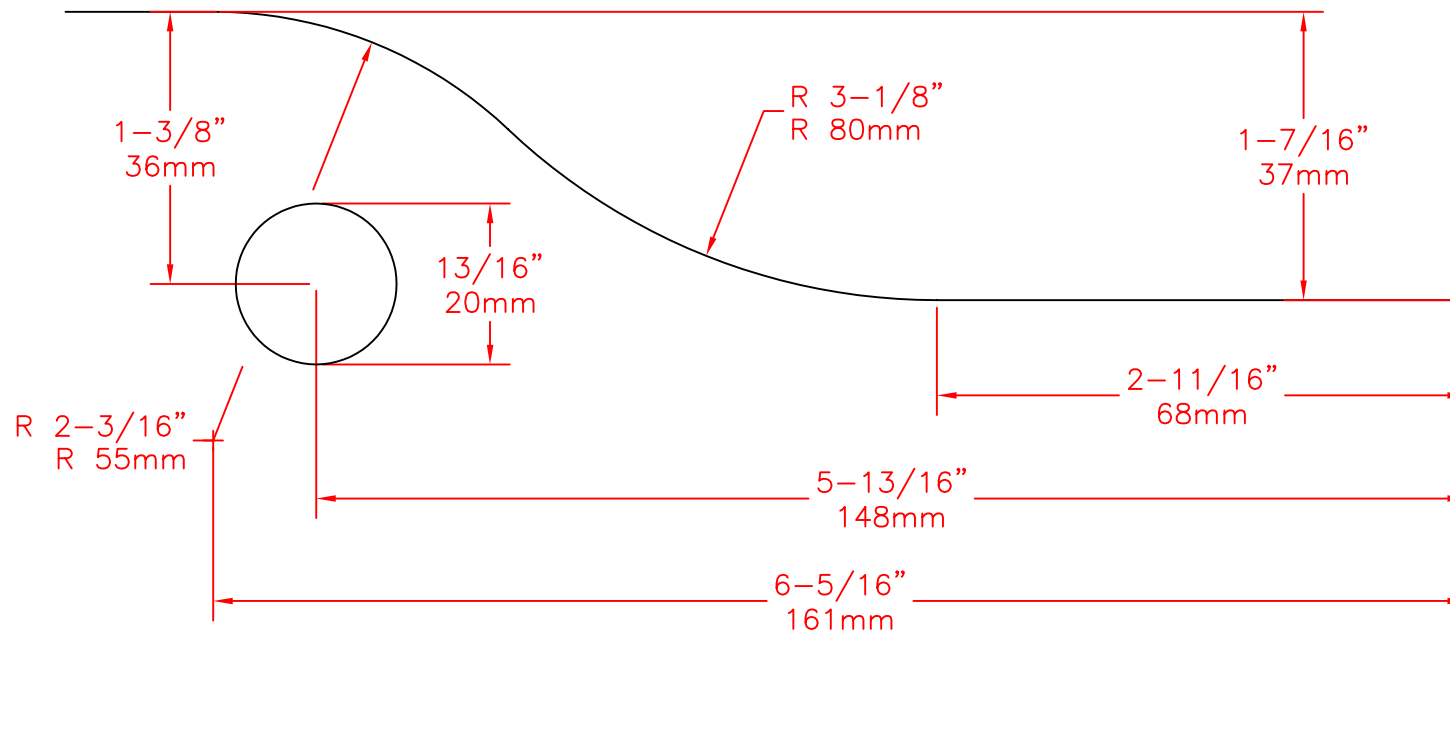
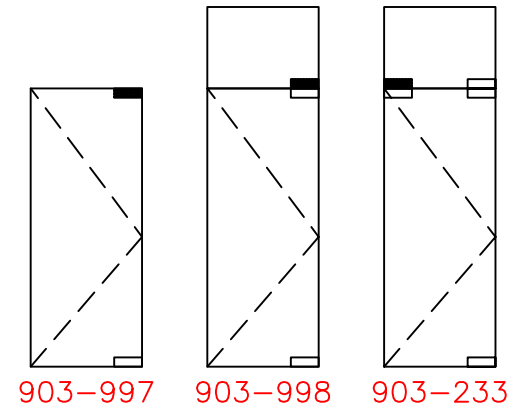




# GLASS FABRICATION DETAIL

NEW ITEM NO.	OLD ARTICLE NO.	PT NO.
903-997	(7 317.0)	10, 20, 22
903-998	(7 317.35)	30, 34
903-233	(319.5.30)	GK30



REF.: 1SE-GS1 SCALE: FULL DATE: 3/29/00	Date	Revision