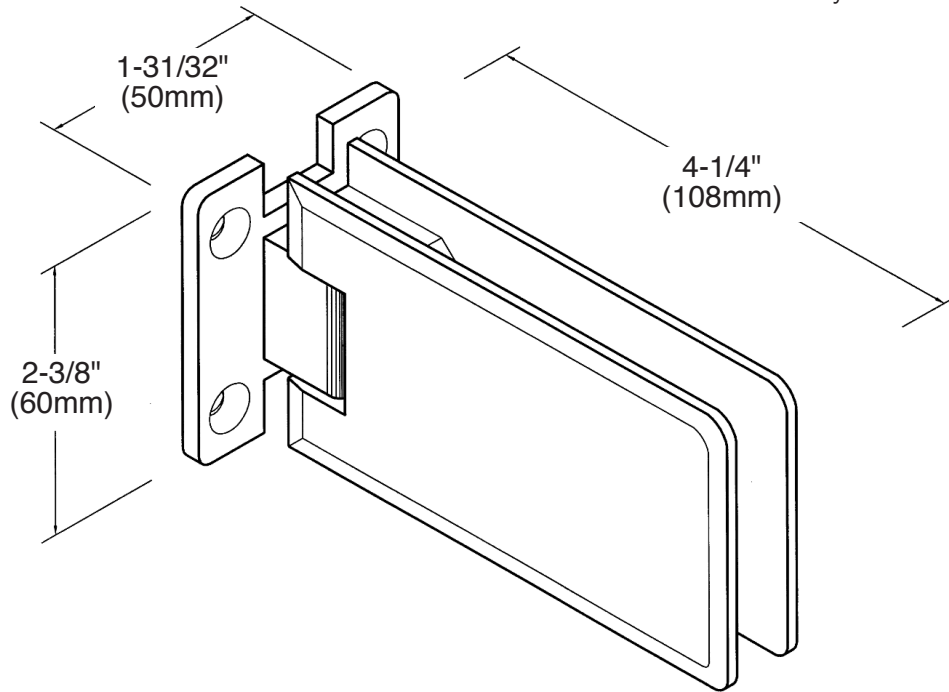


**\* SEE TEMPLATE ON BACK \***  
Refer to Dimensions Shown  
to Ensure Accuracy



## GRANDE

Standard Back Plate – Wall Mount Hinge

CAT. NO. GRA037

**\*NOTE:** Do not exceed either maximum weight or width when choosing proper quantity of hinges.

### Specifications:

Glass Sizes: 5/16" (8mm) to 3/8" (10mm) thick tempered safety glass  
Construction: Solid brass  
Closing Type: Self-centering when within 15° of closed position  
Cutout Required  
Includes: Gaskets, screws and template

### Maximum Door Capacities for Two Hinges or Three Hinges

|                      |                 |                  |
|----------------------|-----------------|------------------|
| Maximum Door Weight: | 90 lbs. (41 kg) | 134 lbs. (61 kg) |
| Maximum Door Width:  | 31" (787mm)     | 34" (864mm)      |

### Use of Gaskets:

For 5/16"(8mm) Glass: Use one thick gasket and one thin gasket on each side  
For 3/8"(10mm) Glass: Use one thick gasket on each side

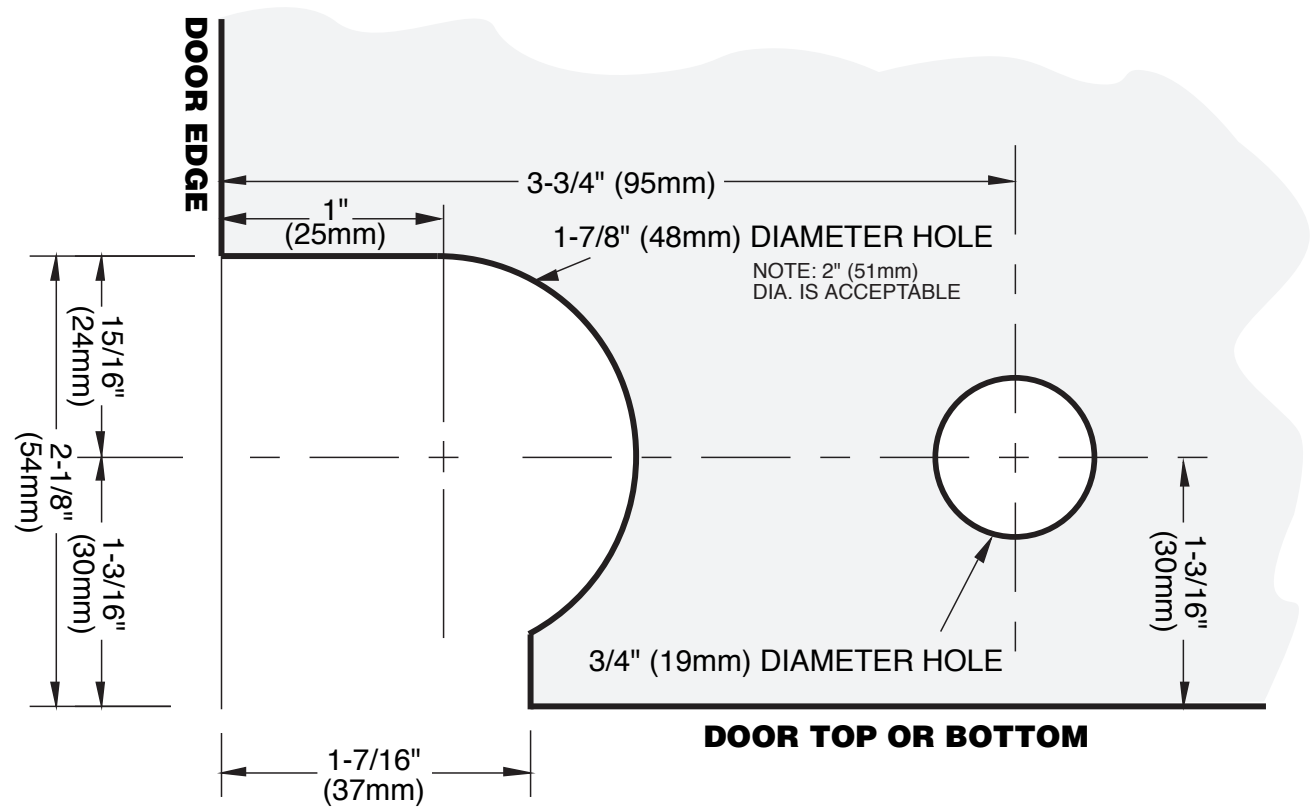
### Recommendations:

For public safety, we recommend the use of only tempered safety glass.  
Do not use power tools when installing these hinges.

### Maintenance Guidelines:

- Never use an abrasive cleaner on the hardware. Many of the components are coated with a clear lacquer that will be irreparably damaged if subjected to harsh, abrasive chemicals. Advise your customer that drying the hardware with a clean, soft towel on a daily basis is the best way to maintain the hardware. If mineral deposits build-up, mix a couple of drops of a mild liquid soap (such as Ivory or a similar product) into a cup of warm water. Using a soft, non-abrasive cloth, clean the hardware. Rinse thoroughly with clean, warm water and dry.

**IMPORTANT:** Project measurements from the edge of the glass.

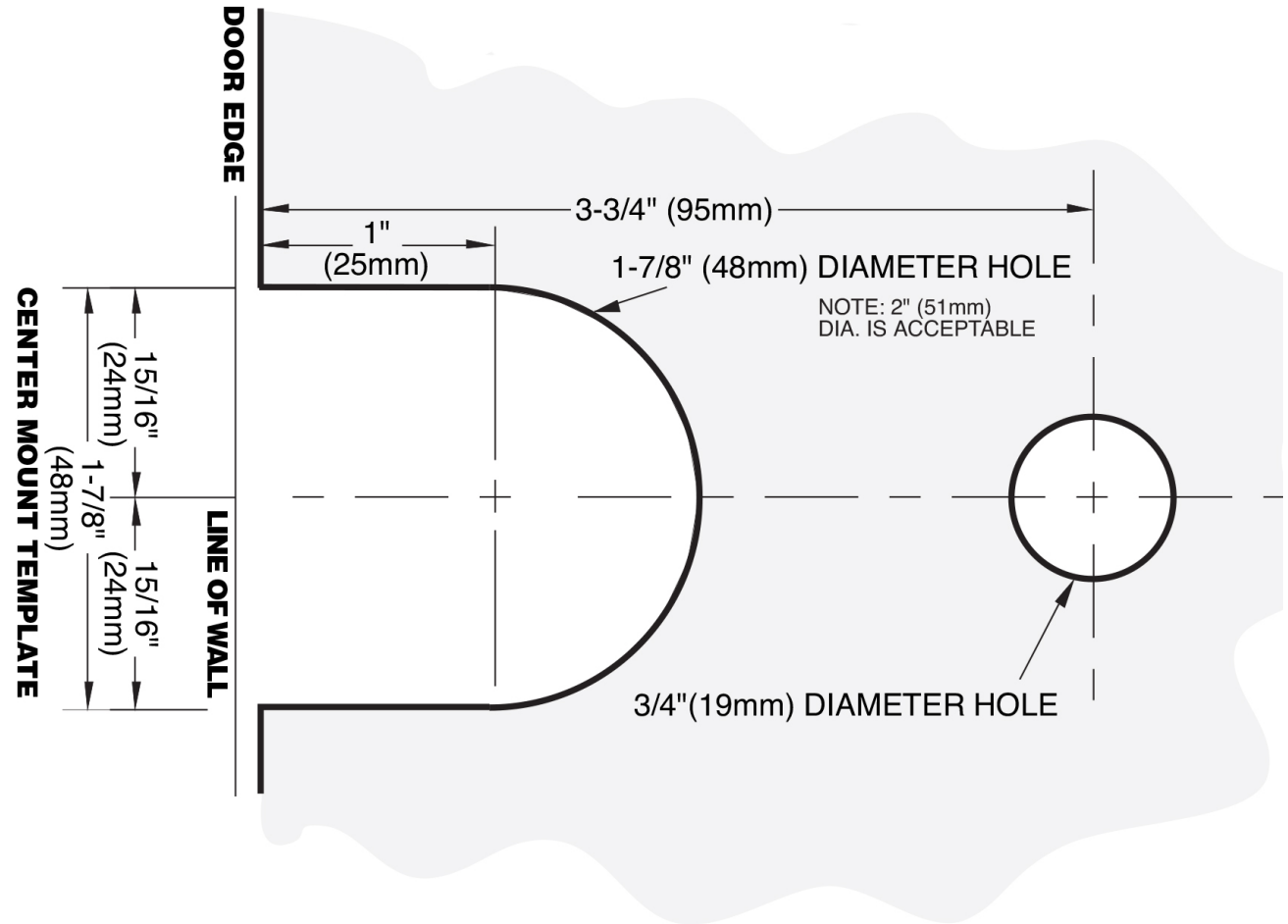


**TOP OR BOTTOM CORNER MOUNT TEMPLATE**

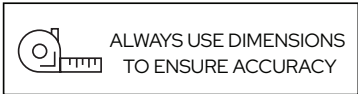
## GRANDE

Standard Back Plate – Wall Mount Hinge Top and Bottom Corner Mount Option  
CAT. NO. GRA037

**IMPORTANT:** Project measurements from the edge of the glass.



**CENTER MOUNT TEMPLATE**



## GRANDE

Standard Back Plate – Wall Mount Hinge Top and Bottom Corner Mount Option  
CAT. NO. GRA037