

Architectural Hardware

PA100D PANIC EXIT DEVICE

The operating mechanism concealed within the vertical tubing retracts the latch bolt when the interior actuation bar is pushed. Optionally, an exterior keyed access device can be installed to allow entry. A dogging feature defeats locking action during business hours. Electronic Strikes are available for use with our Panic Handles, providing many secured entry options.

DB100D DEADBOLT LOCK

The Deadbolt Handle is offered with keyed cylinders on both the interior and exterior sides of the door, or with a thumbturn on the interior. An optional top latch bolt will permit the use of electronic strikes for controlled entry systems.

DH100D DUMMY HANDLE

These fixed handles are designed to match the appearance of Panic, Deadbolt, and Electronic Egress Handles, and are made from the same high quality materials.

4-1/8" →



MADE UNDER ONE OR MORE OF THE FOLLOWING:
U.S. 6434905, OTHER U.S. and CANADIAN PAT. PEND.

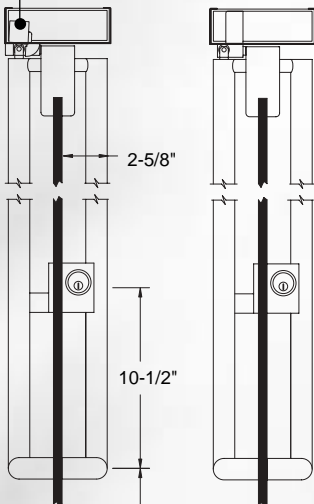
PUSH
PUSH/PULL
Indicators

Keyed
Access
Device

Push Indicator PA100D

"D" Style Exterior Pull

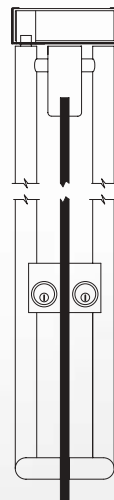
Electronic
Strike



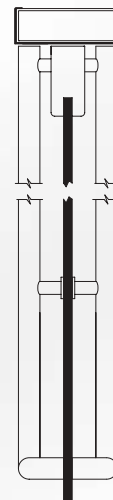
PANIC HANDLE
PA100D
WITH KEYED
ACCESS
DEVICE



BHMA
CERTIFIED
GRADE 1



DEADBOLT HANDLE
DB100D
WITH KEYED
CYLINDERS



DUMMY HANDLE
DH100D
WITHOUT
MECHANISM



Architectural Hardware

Door heights should be limited to:

Exterior Use 8'-0" for 1/2" Glass Thickness and 8'-6" for 3/4" Glass Thickness

Interior Use 8'-6" for 1/2" Glass Thickness and 9'-0" for 3/4" Glass Thickness

Increased sizes make the door assemblies heavier and more flexible.

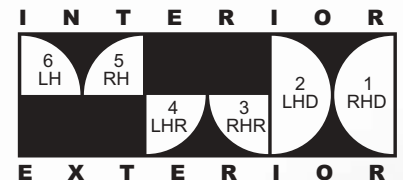
Therefore, the following guidelines should be considered:

- Wind load, stack action and ventilation loads
- Mounting conditions of doors to building structure
- Panic devices, deadbolt locks or other hardware
- Overhead Closer or Floor Closer characteristics
- Heavy usage and frequency of operation
- Comfortable feel and ease of door operation

The architects structural engineer should be consulted to assure that the door design is correct for the intended use.

The following list of mortise cylinders will work with CRL Panic, Deadbolt, and Electronic Egress Handles:

MFR.	NO.	NOMINAL LENGTH	CAM NO.
Schlage	20-001	1 1/8" long	B502-191 cam
Russwin	#0 1/2"	1 1/8" long	#1 cam
Corbin	5253	1 1/8" long	#1 cam
Sargent	41	1 1/8" long	X13000 cam
Best	1E64	1 1/8" long	1EC4 cam
Yale	1152	1 1/8" long	1161 (std.) cam
Lori	218	1 1/8" long	4400-00-3002



Door Swing Diagram

PA100D Panic Handle with Exterior Fixed Pull Handle, Style "D"

BHMA TYPE 2 Surface Vertical Rod Exit Device

SPECIFICATIONS:

- Material: 1-1/4" (32mm) Diameter Stainless Steel Tubing (2 mm wall thickness)
- Glass Thickness: 1/2" (12 mm) or 3/4" (19 mm)
- Glass Fabrication: Varies. Please contact CRL Technical Sales
- Certification: ANSI/BHMA A156.3 - 2001 Grade1

DB100D Deadbolt Handle with Exterior Fixed Pull Handle, Style "D"

BHMA DOOR FASTENER

SPECIFICATIONS:

- Material: 1-1/4" (32mm) Diameter Stainless Steel Tubing (2 mm wall thickness)
- Glass Thickness: 1/2" (12 mm) or 3/4" (19 mm)
- Glass Fabrication: Varies. Please contact CRL Technical Sales
- Meets Requirements: ANSI/BHMA A156.16-1997 Grade 1