

Zero Shower Collection

Shower Hinge Set & Clamps



Endless Design Opportunities

Introducing our revolutionary **Zero Shower Collection**, a testament to our unwavering commitment to innovation. This groundbreaking series not only embodies our dedication to pushing the boundaries of design and technology, it also redefines the very essence of shower installations with its unparalleled elegance and cutting-edge functionality.

The **meticulously-crafted** Zero Shower Collection features the Zero Shower Hinge Set (patented) and Clamps (patent pending). When combined with our new Premium Handles and Towel Bars, these elements create the first truly cohesive solution for contemporary shower enclosures.

Available finishes: Brushed Bronze, Brushed Nickel, Polished Chrome, Matte Black, and Satin Brass

CRL | Zero Shower Hinge Set Configurations

The CRL Zero Hinge Set offers a sleek, next-generation solution for shower installations, featuring a modern design and technological breakthroughs.

Performance:

- Door width up to 45"
- Door weight up to 167 lbs
- For 3/8" (10 mm) and 1/2" (12 mm) glass

Versatile Installation Options:

- Wall mount or glass-to-glass applications
- Wall or floor mounting (acting as a pivoting hinge)
- Integrated clamp-function for floor installations reduces additional hardware for 90°, 135°, or 180°

Innovative Rise-and-Fall Mechanism:

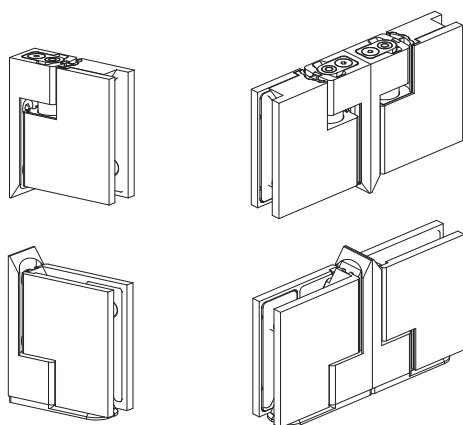
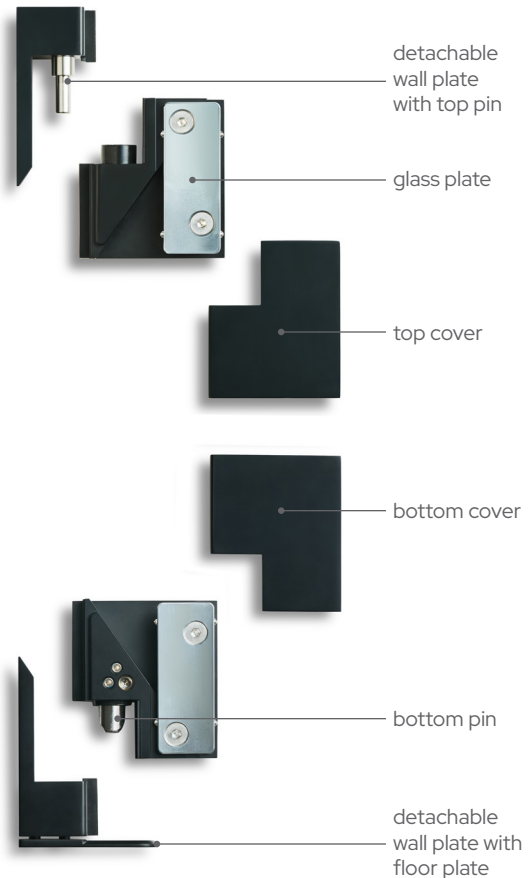
- Lifts the door by 1/4" (6 mm) when opening
- Eliminates need for bottom sweep and reduces friction
- Enhances wheelchair accessibility, ideal for barrier-free designs

Precision Engineering:

- Self-centering within +/-60° of closed position

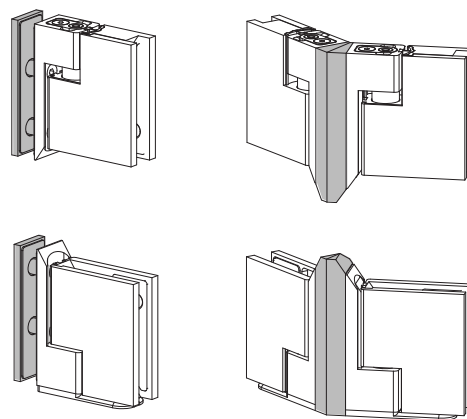
Adjustability:

- Adjustable up to +/-15°



1 Hinge Set for
Wall Mount Installation

2 Hinge Sets for
180° Installation



Accessory Kit Shown in Gray for 90° and 135° Installation

For more information
and video installation
scan qr code.

