

Cutting Formula for EK Series Sliding Shower Door Kits

(Installation Instructions are shown in Section 3)

Components Description

HEADER
SIDE JAMB
BOTTOM TRACK
TOWEL BAR
KNOB
HARDWARE (Including Guide)

Metal Size Cutting Formula

HEADER = Top Width Measurement Less 1/16" (1.5 mm)
SIDE JAMB = Overall Height Less 1-1/2" (38 mm)
BOTTOM TRACK FOR EK SERIES = Bottom Width Measurement Less 3/4" (19 mm)

Glass Size Cutting Formula

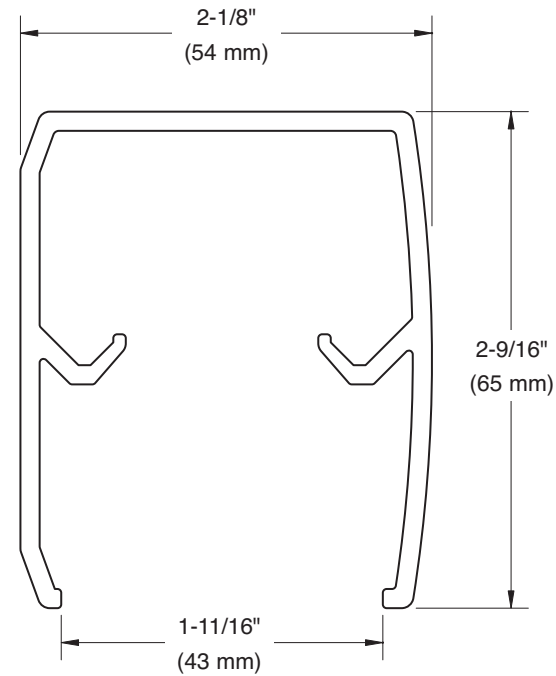
WIDTH FOR EK SERIES = Overall Width Divided By 2 Plus 3/8" (10 mm)
HEIGHT FOR EK SERIES = Overall Height Less 2-5/8" (67 mm)

All Stock EK Sliders Come with a Knob and a 24" (610 mm) Towel Bar

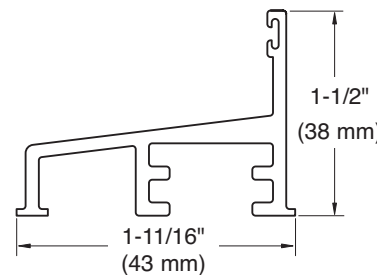
Towel Bar and Knob require 1/2" (12 mm) diameter holes.

Holes for Towel Bar should be 24" (610 mm) center-to-center. The recommendation is to center the Towel Bar both vertically and horizontally on the glass.

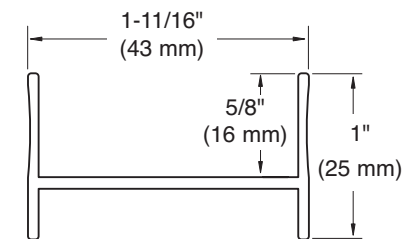
Placement of the Knob should be such that it is in line horizontally with the Towel Bar. The hole should be centered 3" in from the edge of the glass.



Header



Bottom Track



Side Jamb

This Information Applies to EK Series Sliders

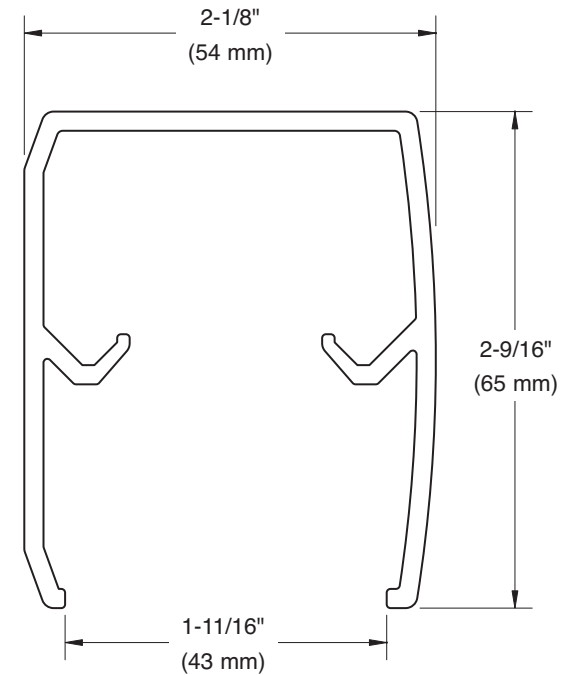
(Fabrication and Glass Sizing Information is shown Section 2)

Assembly Instructions for EK Series Sliders:

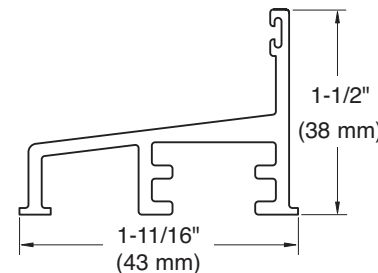
1. Clean the top edge of the glass to fasten the Roller Brackets.
2. Place the Roller Brackets approximately 2" (51 mm) in from the vertical edge of the glass to the edge of the Bracket. There is no adhesive required.
3. Place the loose clamping plate between the Allen head set screws and the glass.
4. Tighten the Roller Brackets with the T-handle Allen wrench provided, until the wrench twists a quarter turn.

Installation Instructions for EK Series Sliders:

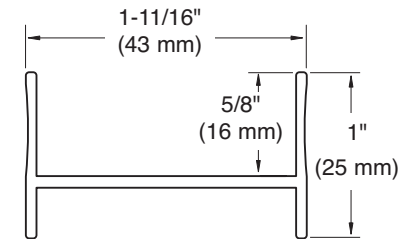
1. Place the Bottom Track in the desired position on the tub/curb. Use a level to plumb your Side Jambs. Mark the holes for drilling.
2. Drill the holes into the vertical walls. Use the appropriate anchors to prepare for fastening Side Jambs.
3. Run a bead of Clear Silicone to the underside of the Bottom Track. Immediately put the Track into position.
4. Fasten the Side Jambs into the vertical walls using the screws provided. Be sure to clean up any excess silicone at this time.
5. Install the Header and fasten it to the Side Jambs on the inside.
6. Hang the panels (the inside panel is hung first). Make the necessary adjustments to accommodate for out-of-level/plumb conditions.
7. Attach the Single-Sided Knob to the inside panel and Single-Sided Towel Bar to the outside panel.
8. Run a bead of of Clear Silicone at each end of the Bottom Track where it meets the Jambs.
9. Allow 24 hours for the Silicone to cure prior to using the enclosure.



Header



Bottom Track



Side Jamb