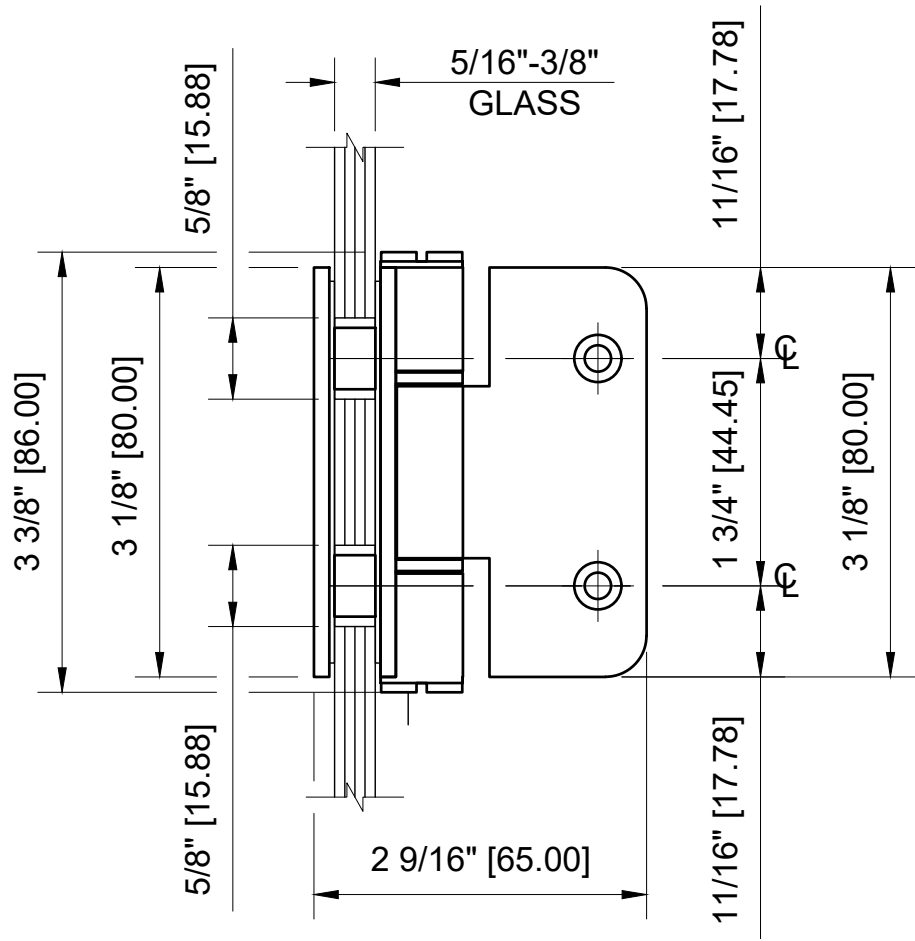
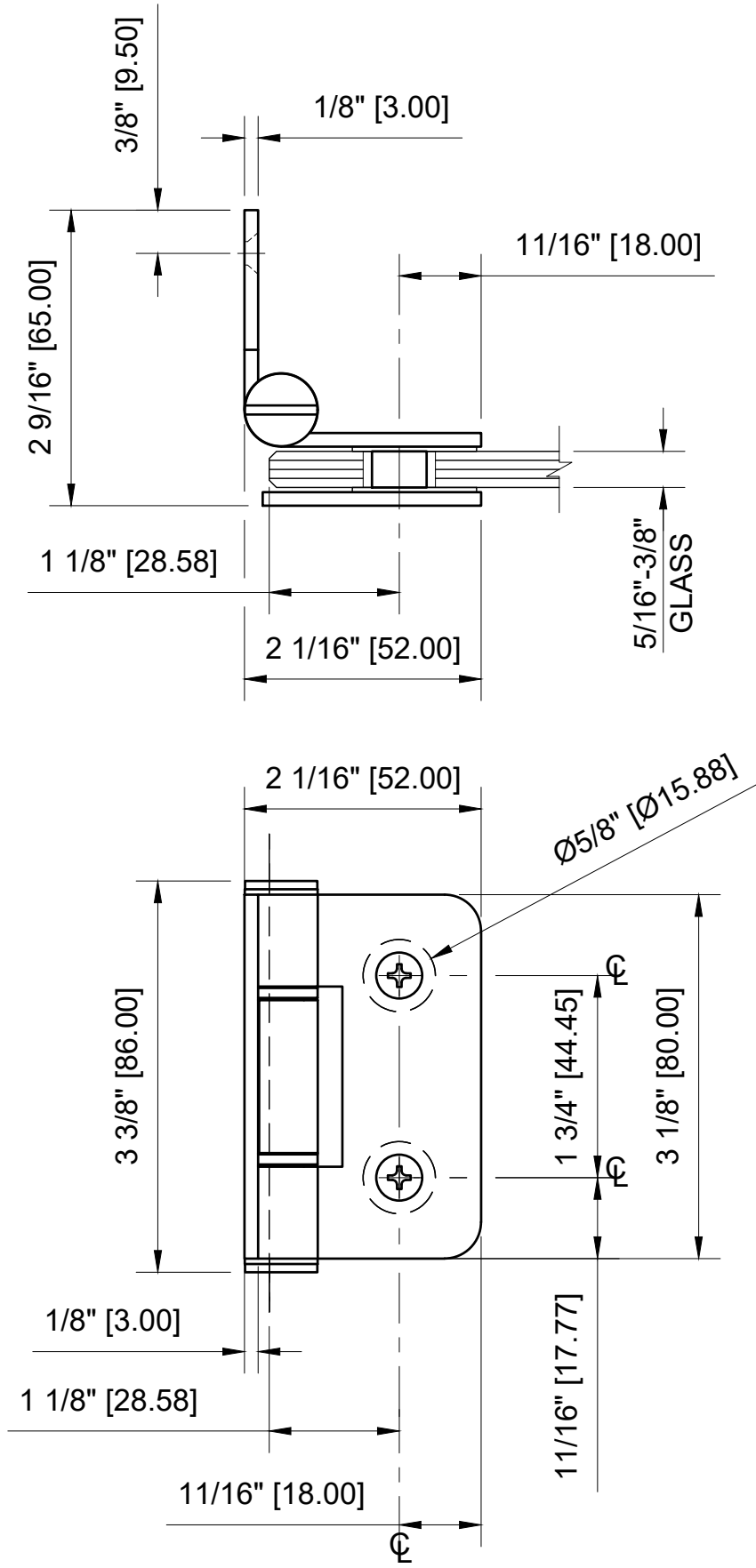


USE OF GASKETS

FOR 5/16" (8mm) GLASS: USE ONE THICK GASKET ON EACH SIDE  
 FOR 3/8" (10mm) GLASS: USE ONE THIN GASKET ON EACH SIDE



CATALOG NUMBER	FINISH
ZUR03PS	POLISHED STAINLESS
ZUR03BR	POLISHED BRASS
ZUR030RB	OIL RUBBED BRONZE
ZUR03ABR	ANTIQUÉ BRASS
ZUR03BN	BRUSHED NICKEL
ZUR03GP	GOLD PLATE
ZUR03SS	BRUSHED STAINLESS
ZUR03WS	WHITE STAINLESS

ZUR03XX - CRL ZURICH SERIES WALL MOUNT IN-SWING HINGE

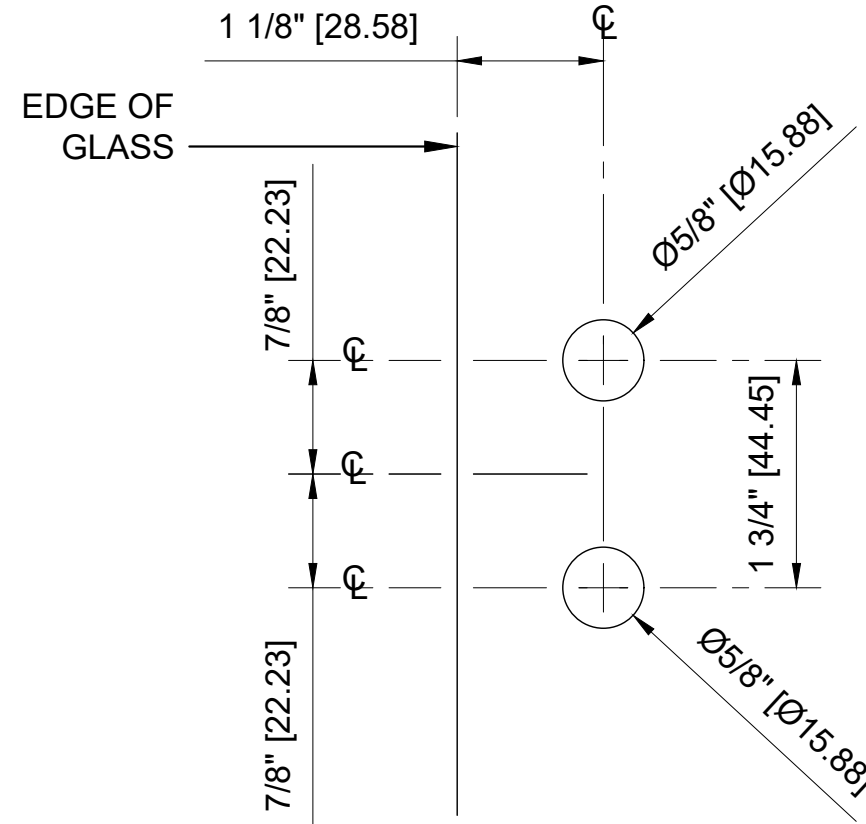
DATE: 9/9/19  
 SCALE: 6"=1'-0"  
 DRAWN BY: VM

DESCRIPTION: CRL ZURICH SERIES HINGE  
 CTS  
 ZUR03 - WALL MOUNT IN-SWING HINGE

C.R. LAURENCE CO. ARCHITECTURAL PRODUCTS  
 2503 E. Vernon Avenue, Los Angeles, C.A 90058-1897  
 PH (800)-421-6144 FX: 800-587-7501 www.crlaurence.com



USE OF GASKETS
FOR 5/16" (8mm) GLASS: USE ONE THICK GASKET ON EACH SIDE
FOR 3/8" (10mm) GLASS: USE ONE THIN GASKET ON EACH SIDE



DOOR PANEL "A"  
GLASS FABRICATION TEMPLATE

CATALOG NUMBER	FINISH
ZUR03PS	POLISHED STAINLESS
ZUR03BR	POLISHED BRASS
ZUR030RB	OIL RUBBED BRONZE
ZUR03ABR	ANTIQUÉ BRASS
ZUR03BN	BRUSHED NICKEL
ZUR03GP	GOLD PLATE
ZUR03SS	BRUSHED STAINLESS
ZUR03WS	WHITE STAINLESS

**ZUR03XX - CRL ZURICH SERIES WALL MOUNT IN-SWING HINGE**

DATE:	9/9/19
SCALE:	6"=1'-0"
DRAWN BY:	VM

DESCRIPTION:	CRL ZURICH SERIES HINGE
CTS	ZUR03 - WALL MOUNT IN-SWING HINGE
www.crlaurence.com	

C.R. LAURENCE CO. ARCHITECTURAL PRODUCTS  
 2503 E. Vernon Avenue, Los Angeles, C.A 90058-1897  
 PH (800)-421-6144 FX: 800-587-7501 www.crlaurence.com

