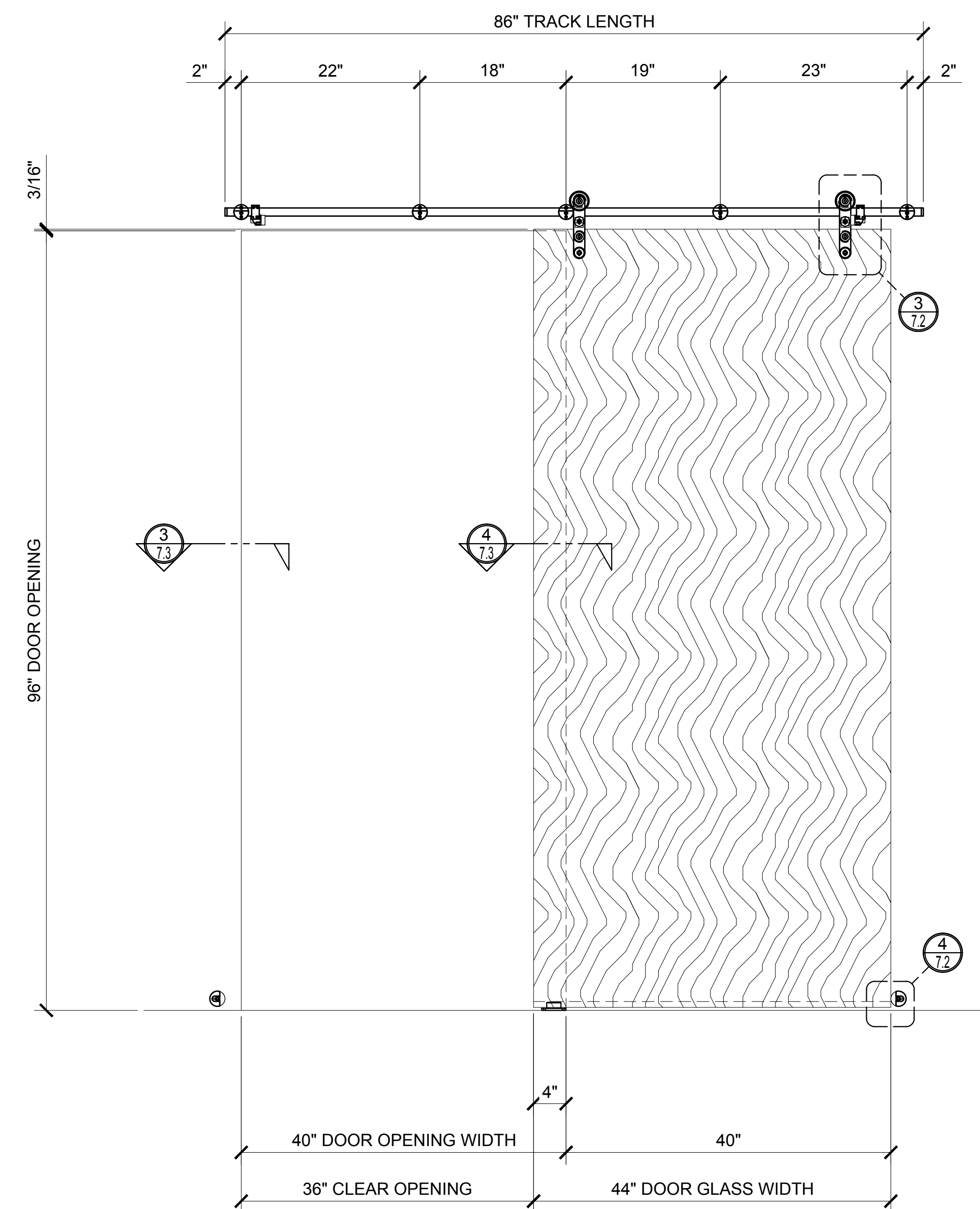
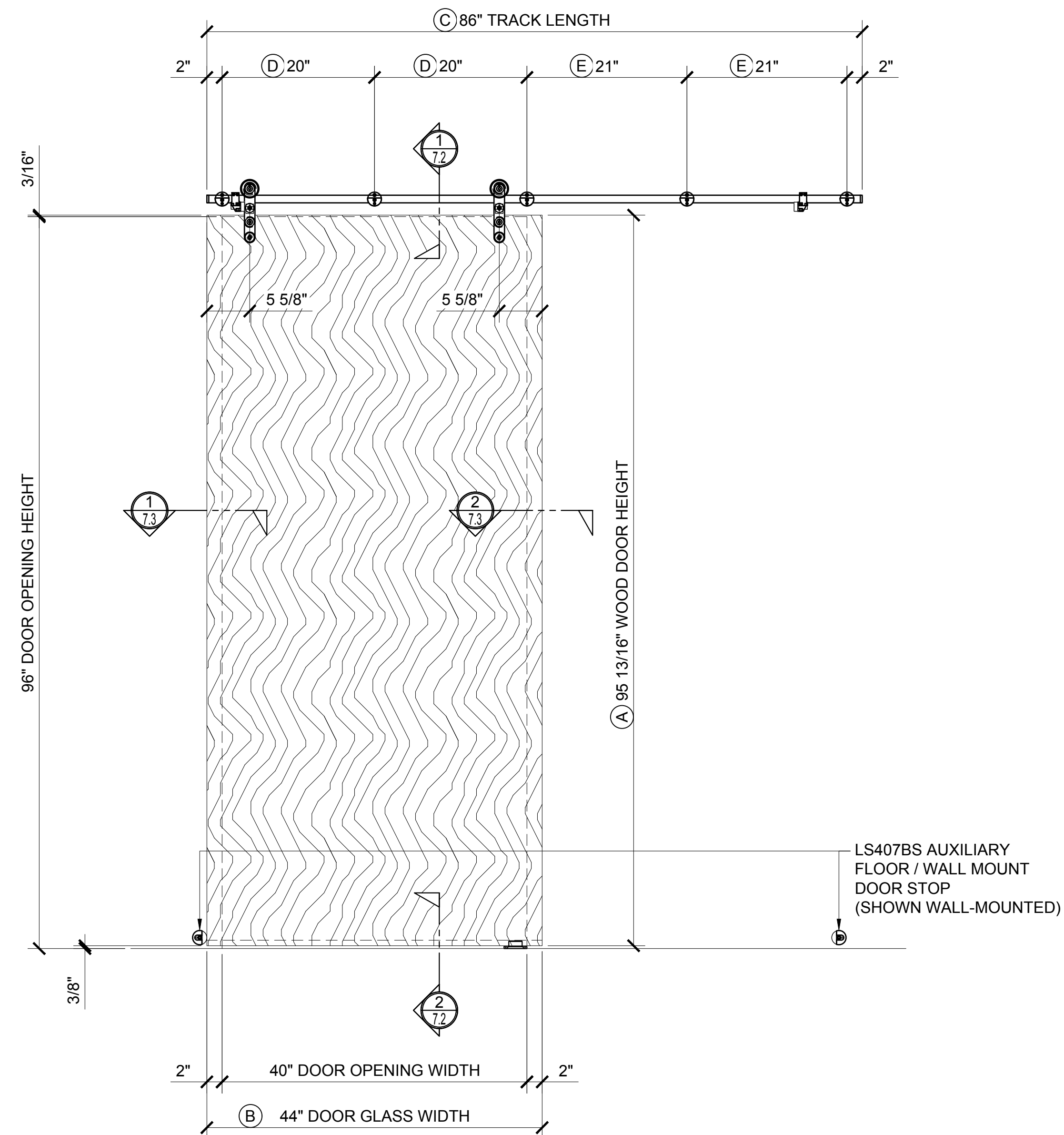




DOOR SYSTEM LIMITATIONS
 MAXIMUM DOOR WEIGHT: 220 lbs. (100 kg)
 MAXIMUM PANEL WIDTH: 53 1/2" (1.36m)
 MAXIMUM PANEL HEIGHT: 98 7/16" (2.50m)
 MAXIMUM TRACK LENGTH: 104" (2.64m)

- * ANTI-LIFT FEATURE FOR ADDED SAFETY
- * ALL 316 ALLOY BRUSHED STAINLESS STEEL CONSTRUCTION
- * IDEAL FOR INTERIOR APPLICATIONS
- * FOR USE WITH 1 3/4" (44mm) WOOD DOOR

CRL LSWM3BS / LSWMADT LAGUNA SERIES WALL MOUNT SINGLE SLIDER



- (A) D.O.H. - 3/16"
- (B) D.O.W. + 4"
- (C) (D.O.W. x 2) + 6"
- (D) D.O.W. / 2
- (E) ((B) / 2) - 1"

① LAGUNA SERIES DOOR (CLOSED)
 ARCH REF: NONE 1"=1'-0"

② LAGUNA SERIES DOOR (OPEN)
 ARCH REF: NONE 1"=1'-0"

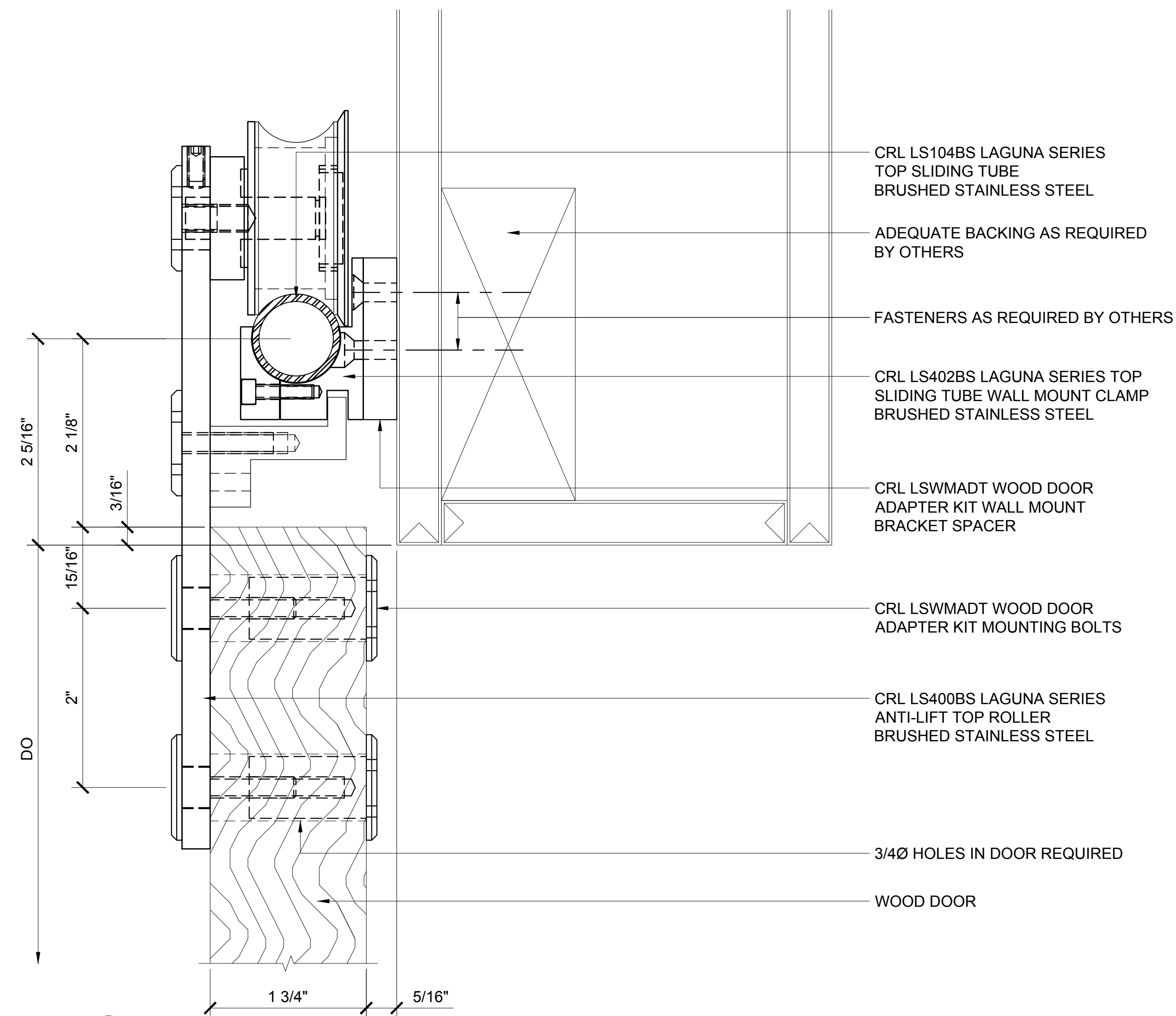
D.O.H. = DOOR OPENING HEIGHT
 D.O.W. = DOOR OPENING WIDTH

Revisions By:



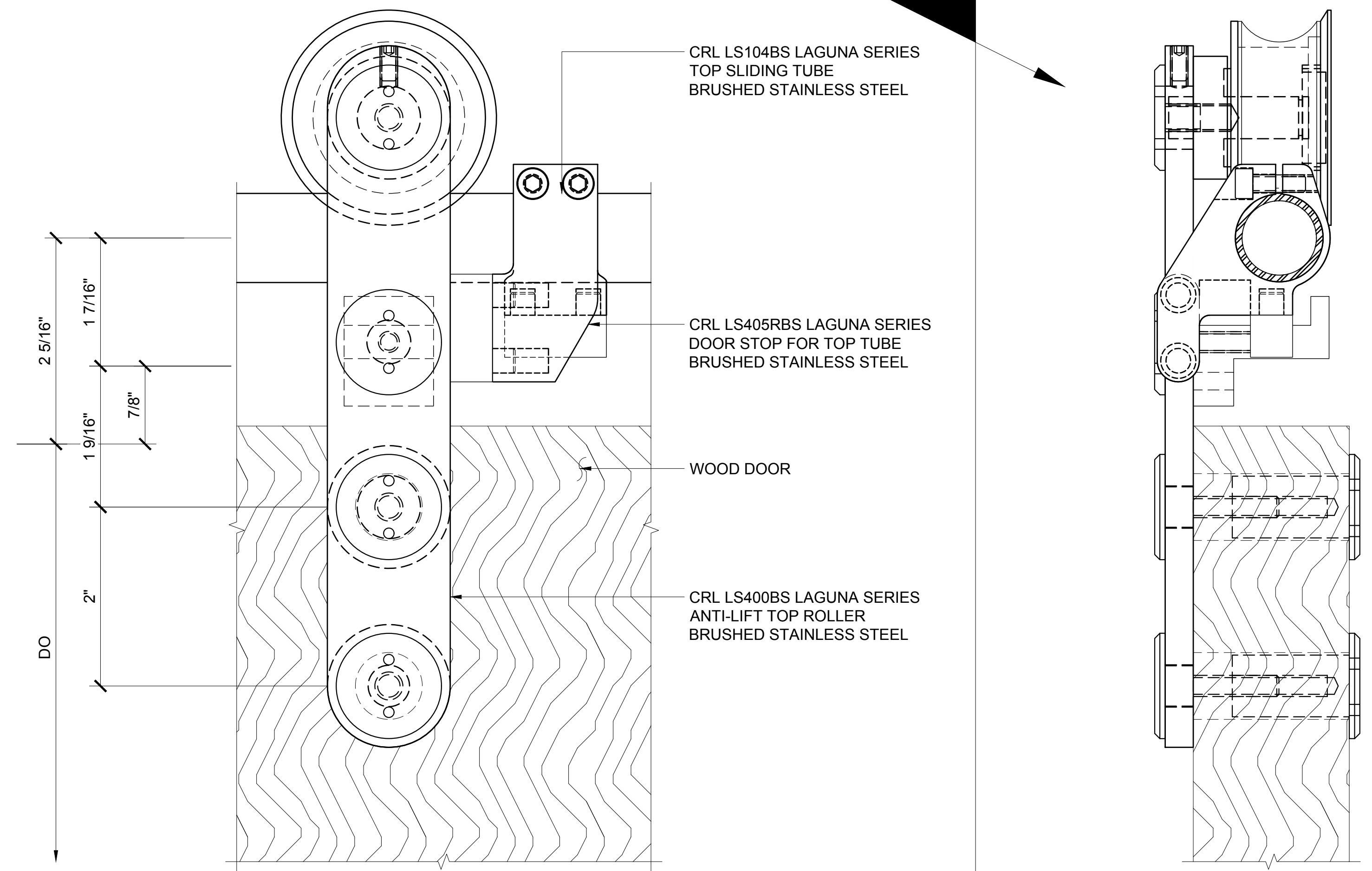
Discription:
 CRL LAGUNA OFFICE
 PARTITION SYSTEM

Drawn By: AAD
 Date: 3/3/16
 Scale: AS NOTED
 File Name:
 7.CRL.LSWM3BS.LSWMADT.LAGUNA
 SERIES.WALL.MOUNT.SINGLE.SLIDER.dwg
 Sheet



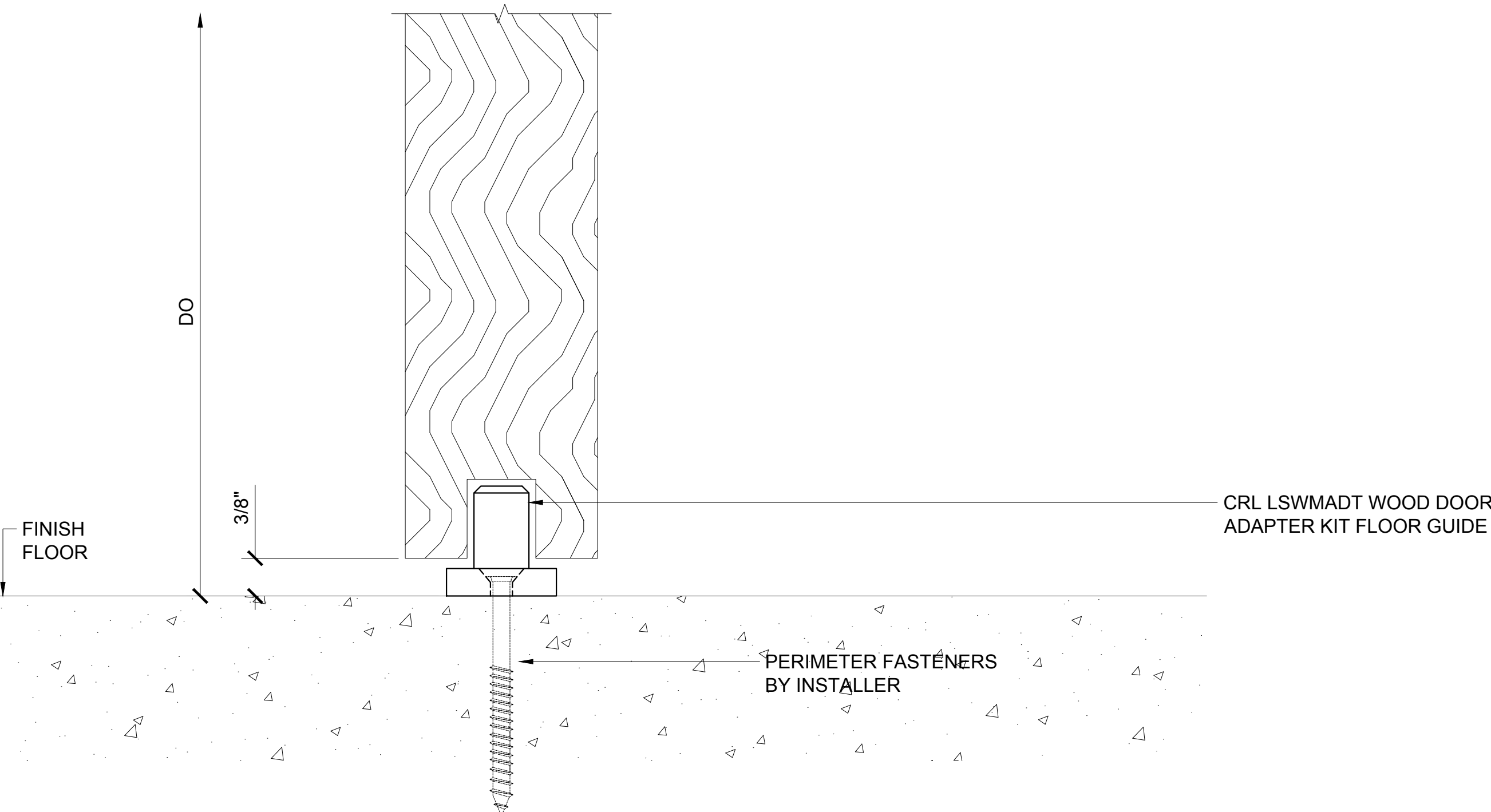
① SIDELITE HEAD DETAIL

ARCH REF: 1'-0"=1'-0"



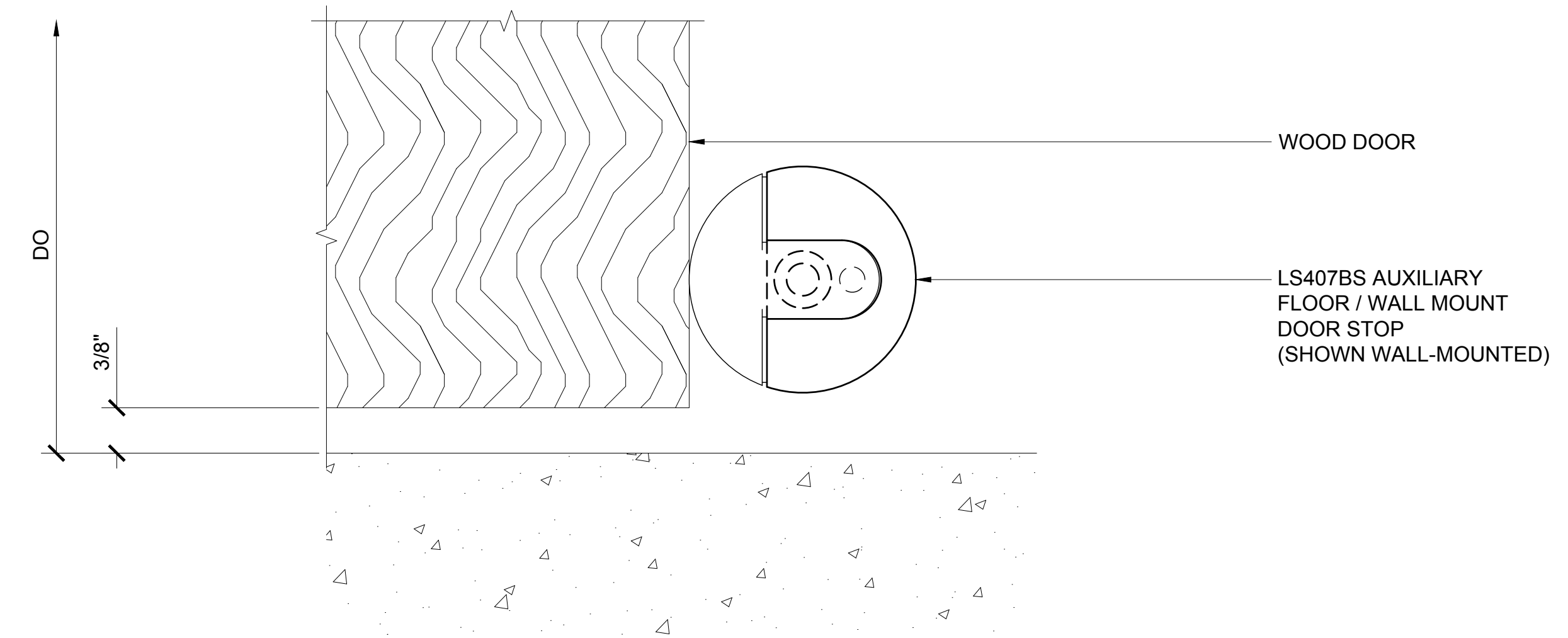
③ TOP BUMPER DETAIL

ARCH REF: 1'-0"=1'-0"



② SIDELITE SILL DETAIL

ARCH REF: 1'-0"=1'-0"

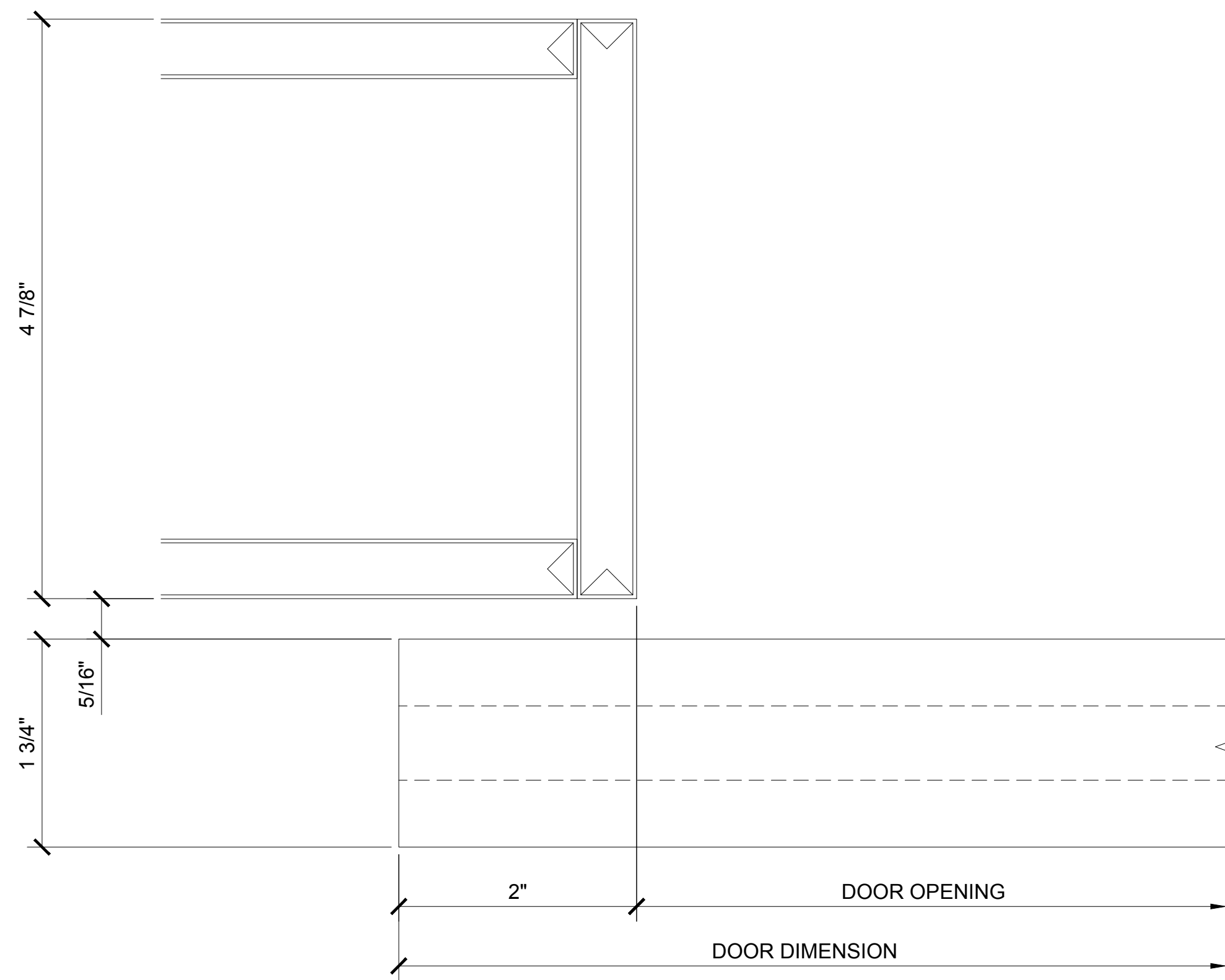


④ BOTTOM BUMPER DETAIL

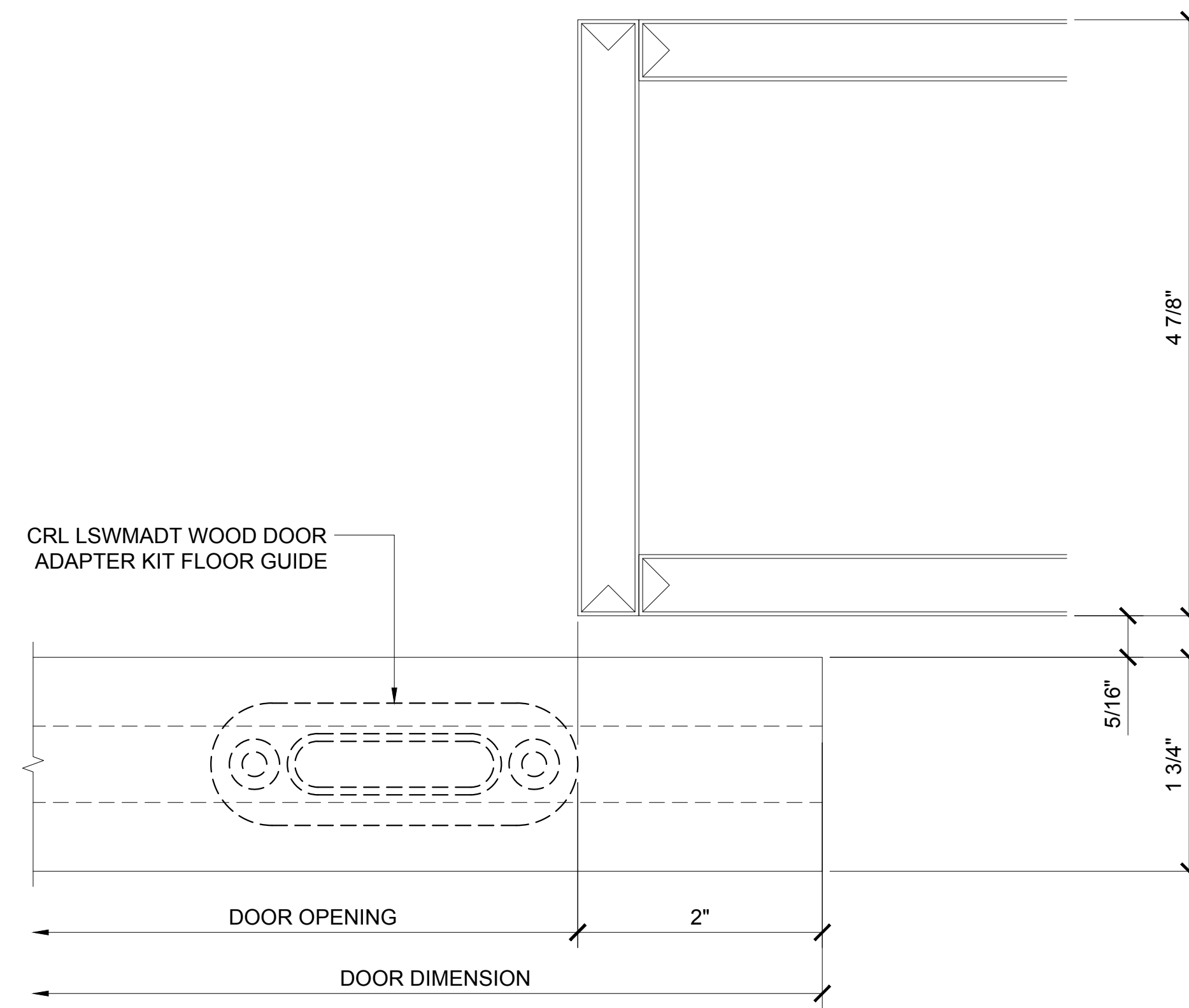
ARCH REF: 1'-0"=1'-0"

Discription:
 CRL LAGUNA OFFICE
 PARTITION SYSTEM

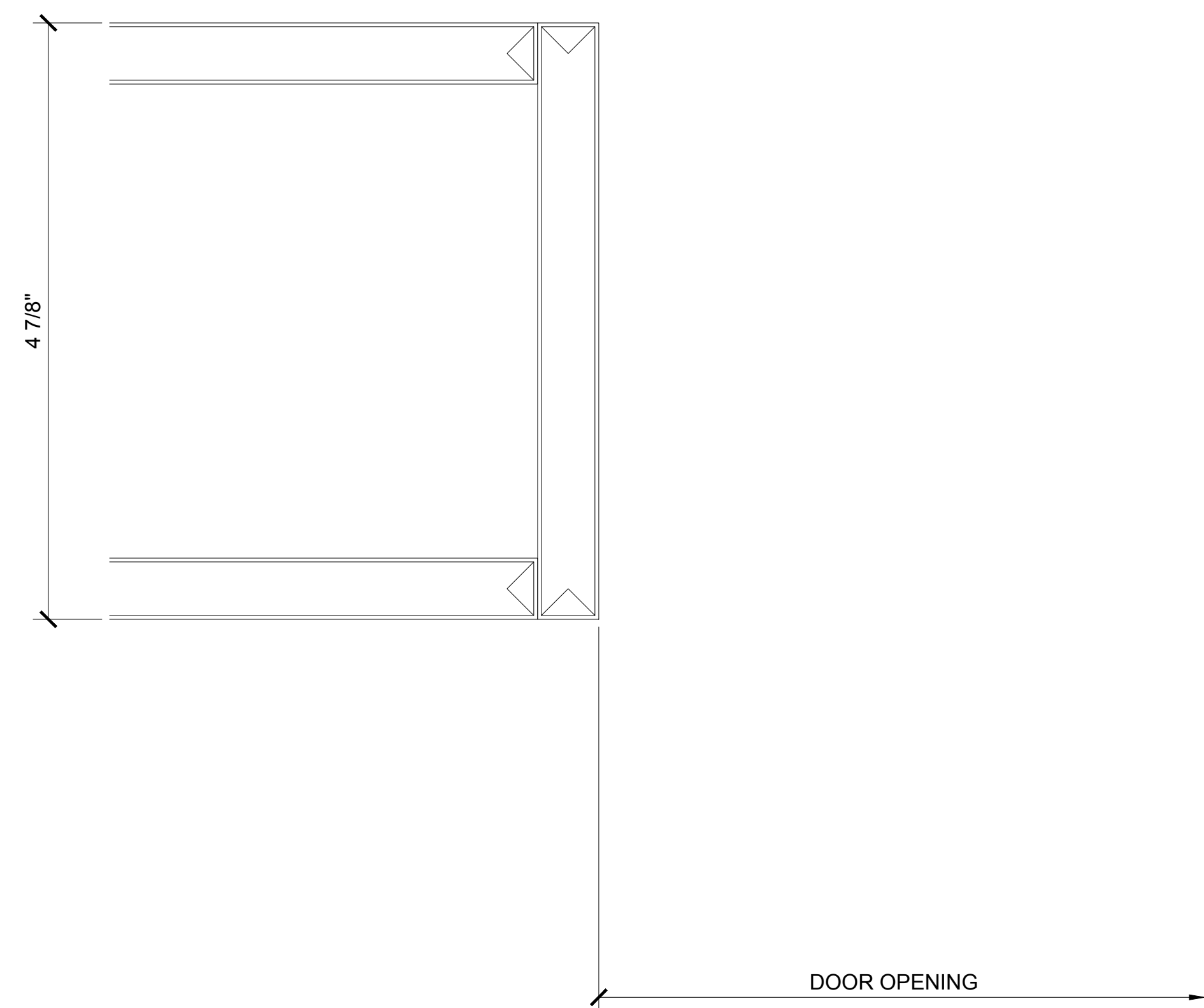
Drawn By: AAD
 Date: 3/3/16
 Scale: AS NOTED
 File Name:
 7.CRL.LS1W13BS.LS1WMDT.LAGUNA
 SERIES.WALL.MOUNT.SINGLE.SLIDER.dwg
 Sheet



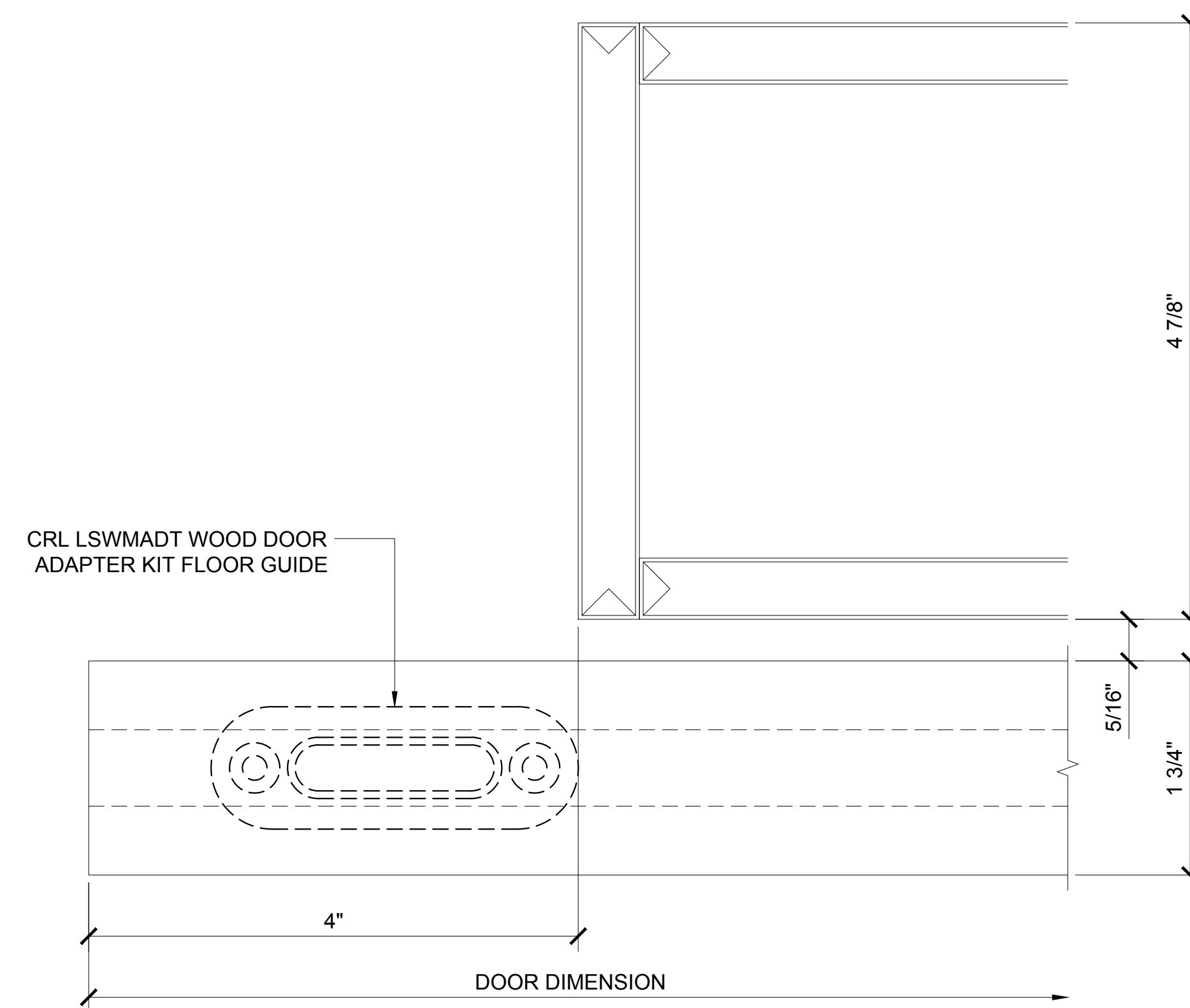
① DOOR JAMB DETAIL (DOOR CLOSED)
 ARCH REF: 1'-0"=1'-0"



② DOOR JAMB DETAIL (DOOR CLOSED)
 ARCH REF: 1'-0"=1'-0"



③ DOOR JAMB DETAIL (DOOR OPEN)
 ARCH REF: 1'-0"=1'-0"



④ DOOR JAMB DETAIL (DOOR OPEN)
 ARCH REF: 1'-0"=1'-0"

Revisions By:



Description:
 CRL LAGUNA OFFICE
 PARTITION SYSTEM

Drawn By: AAD
 Date: 3/3/16
 Scale: AS NOTED
 File Name:
 7.CRL.LSWM3BS.LSWMADT.LAGUNA
 SERIES.WALL.MOUNT.SINGLE.SLIDER.dwg
 Sheet