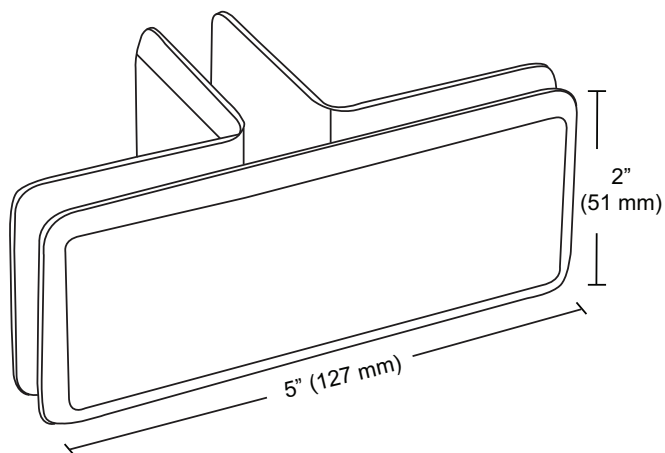


GLASS CLAMPS
Square "T" Junction
CAT. NO. SGC90T

Specifications:

Material: Solid brass
Glass Thickness: 3/8" (10 mm) to 1/2" (12mm) thick glass
Hole Size Required: 3/4" (19mm) diameter
Includes: Mounting screws and gaskets

Template Shown on Next Page

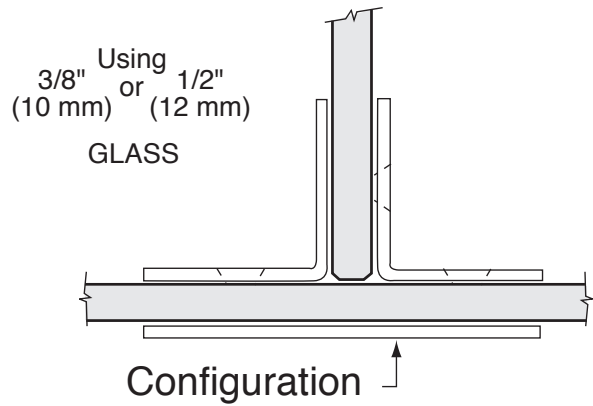


GLASS CLAMPS
Beveled "T" Junction
CAT. NO. BGC90T

Specifications:

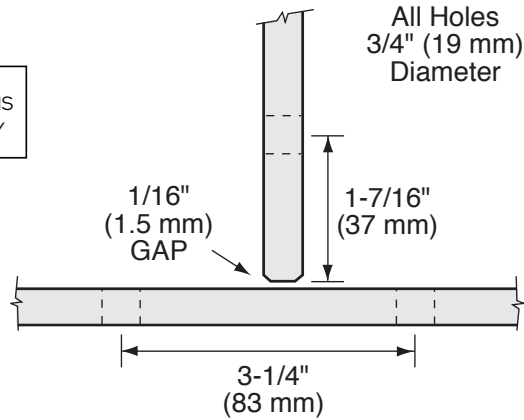
Material: Solid brass
Glass Thickness: 3/8" (10 mm) to 1/2" (12mm) thick glass
Hole Size Required: 3/4" (19mm) diameter
Includes: Mounting screws and gaskets

Template Shown on Next Page

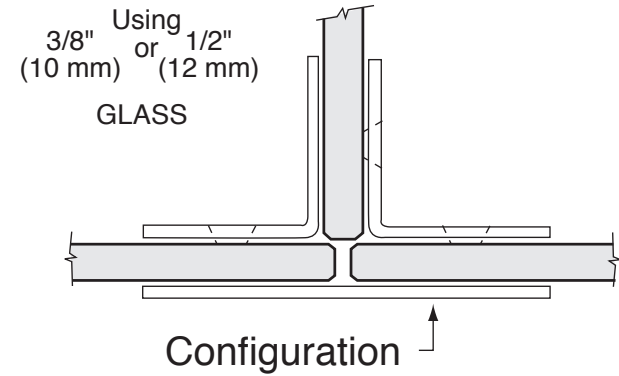


Template

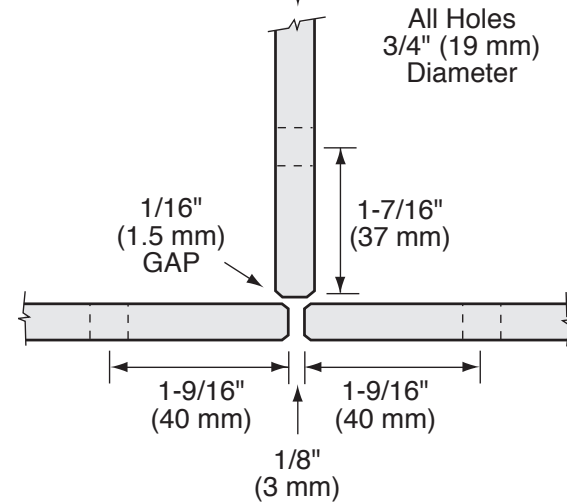
 ALWAYS USE DIMENSIONS TO ENSURE ACCURACY



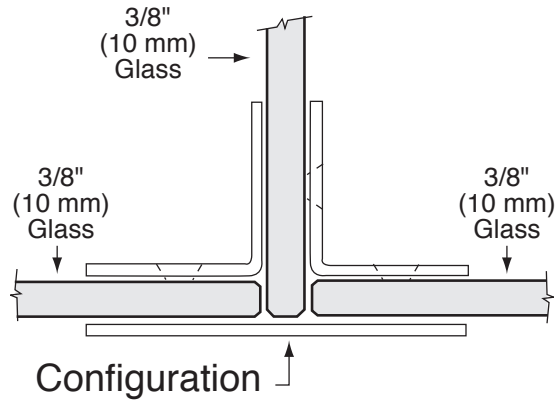
GLASS CLAMPS
Square "T" Junction
CAT. NO. SGC90T



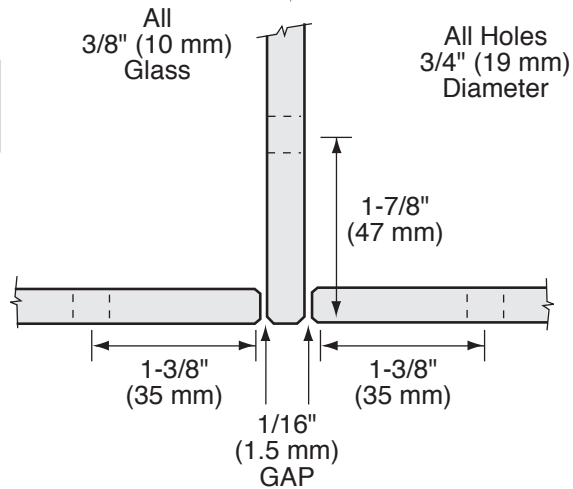
Template



IMPORTANT: Project measurements from the edge of the glass.



Template

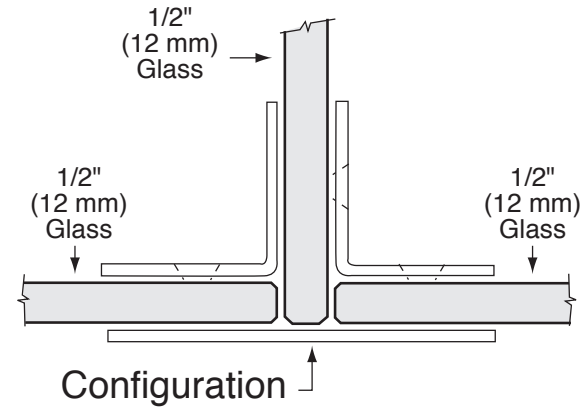


 ALWAYS USE DIMENSIONS TO ENSURE ACCURACY

GLASS CLAMPS

Beveled "T" Junction

CAT. NO. BGC90T



Template

