

CAT. NO. BM8X24

CAT. NO. V1C8X24

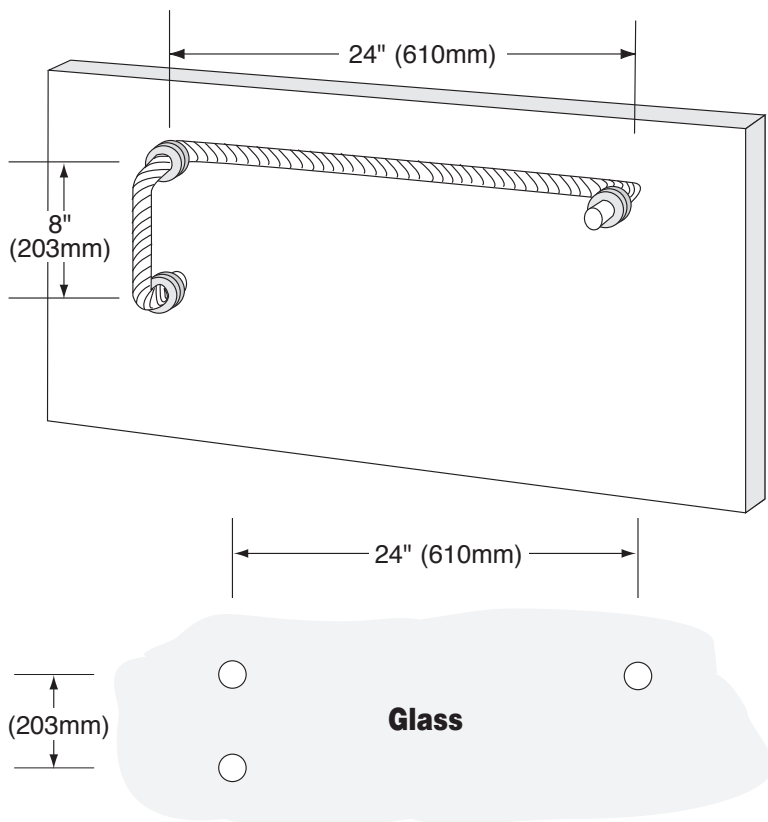
CAT. NO. BMNW8X24

CAT. NO. CAC8X24

CAT. NO. CAT8X24

CAT. NO. MT8X24

CAT. NO. SQ8X24



### Specifications:

All Holes Are 1/2" (12mm) Diameter

All Measurements Are Center-To-Center

Appropriate Clear Gaskets Included

Fits 1/4" (6mm) to 1/2" (12mm) Glass

CAT. NO. BM8X18

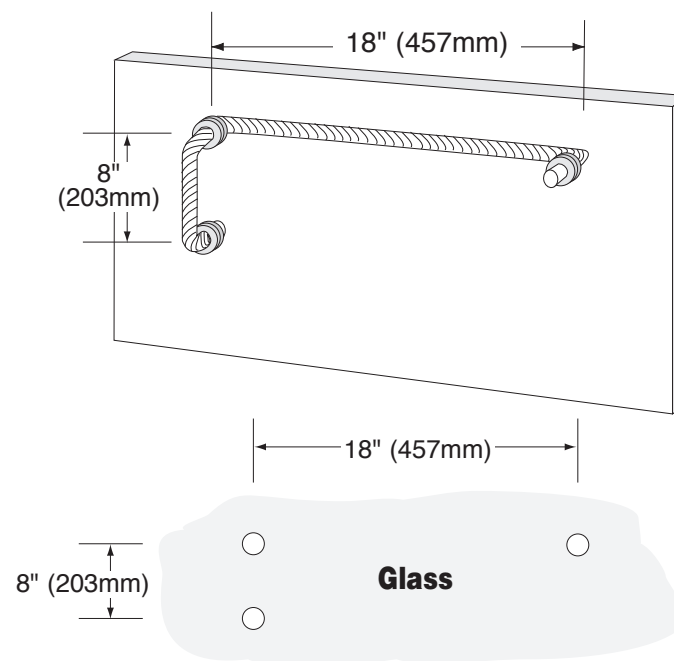
CAT. NO. V1C8X18

CAT. NO. BMNW8X18

CAT. NO. CAT8X18

CAT. NO. MT8X18

CAT. NO. SQ8X18



## PULL AND TOWEL BAR COMBINATION SETS

(Brass or Acrylic Construction)