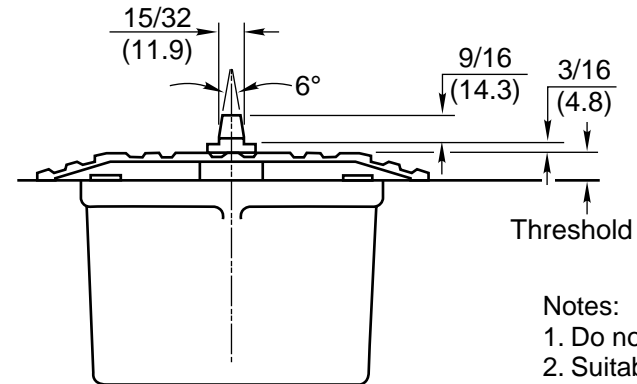
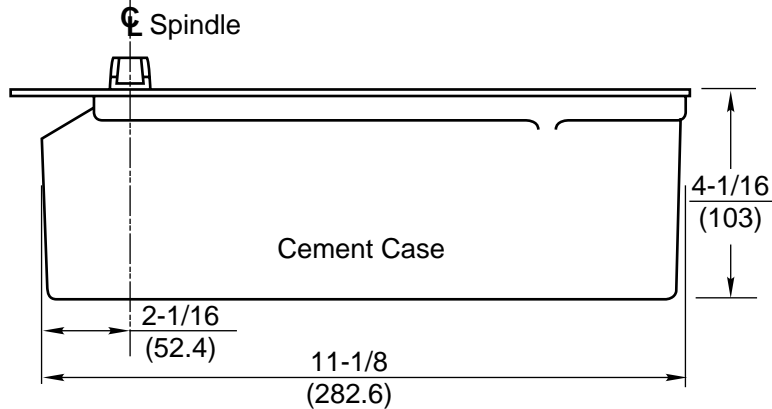


WITH FLOOR PLATE
Set Cement Case 1/8" Below
Surface of Finished Floor



WITH THRESHOLD
Set Cement Case Flush
with Finished Floor
(See Note 3)

Notes:

1. Do not scale drawing.
2. Suitable reinforcing by others.
3. With 1/4" threshold order 1/4" longer spindle. With 1/2" threshold order 1/2" longer spindle.
4. For use only on glass doors using patch fittings.
5. All dimensions given in inches (mm).

328 Floor Closer
Single Acting, Center Hung
For Use on Glass Doors with Patch Fittings

RIXSON™	
Rixson Specialty Door Controls	
www.rixson.com	
TEMPLATE NUMBER	DATE
CH20500	4-06