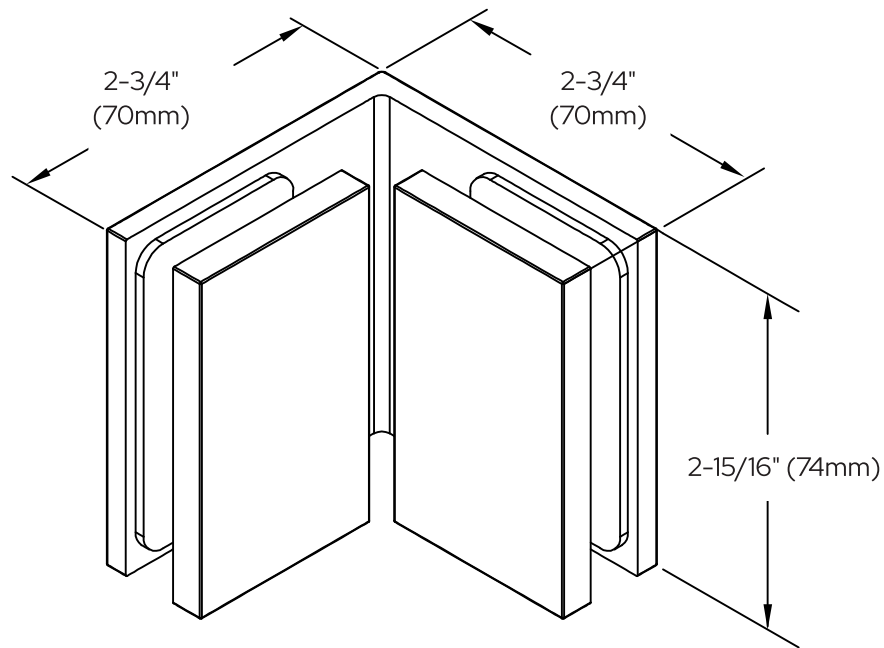


*** SEE TEMPLATE ON BACK ***
Refer to Dimensions Shown
to Ensure Accuracy



Specifications:

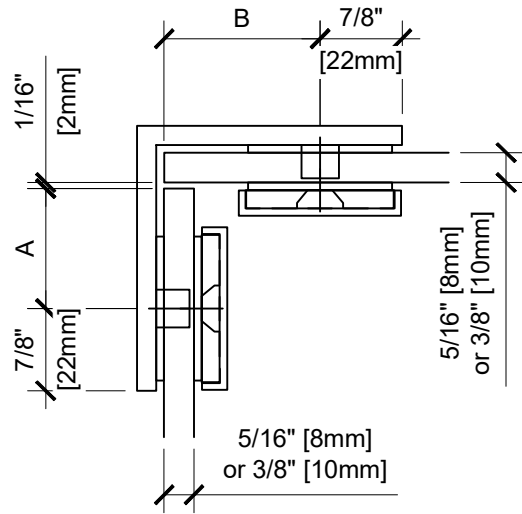
Material:	Solid brass
Glass Thickness Range:	5/16" (8mm) to 3/8" (10mm)
Hole Size Required:	5/8" (16mm)
Includes:	Mounting, screws and gaskets

BELLAGIO

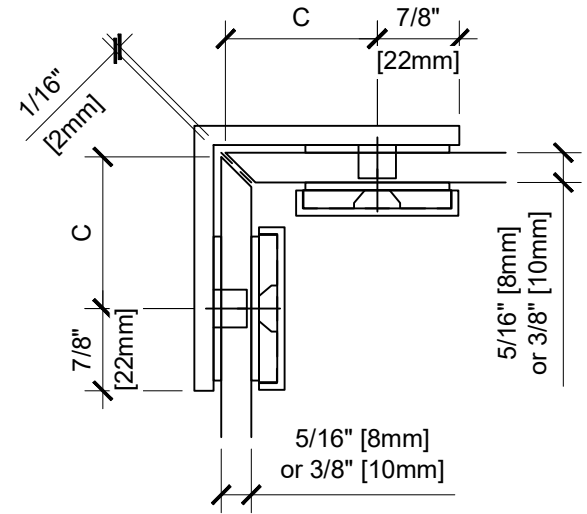
Glass-to-Glass Bracket

CAT. NO. BEL090

***NOTE:** Do not exceed either maximum weight or width when choosing proper quantity of hinges.

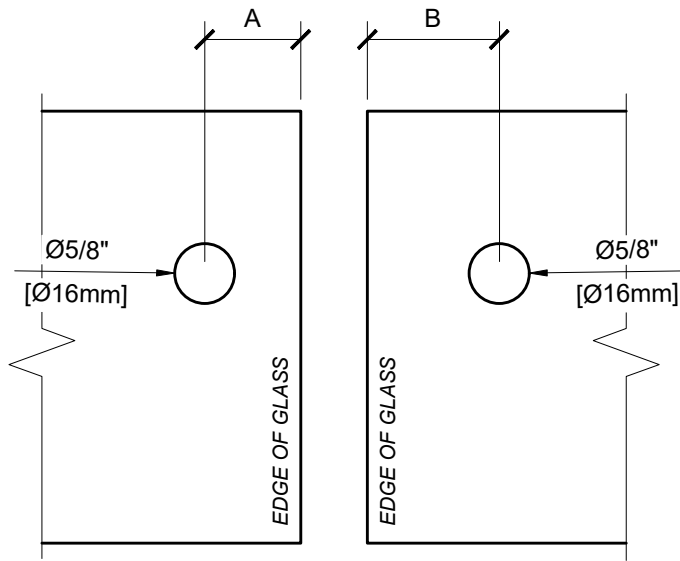


OVERLAP GLASS CUTOUT

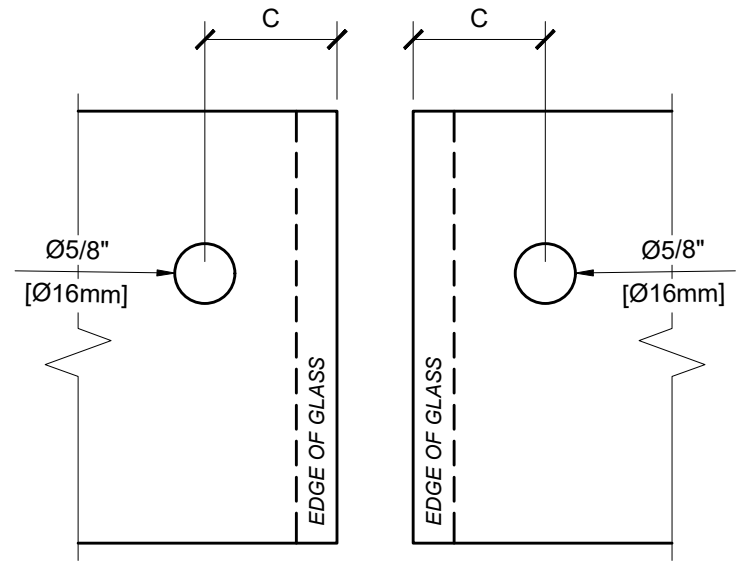


MITER GLASS CUTOUT

GLASS	5/16" [8mm]	3/8" [10mm]
A	1 1/4" [32mm]	1 3/16" [30mm]
B	1 5/8" [41mm]	1 5/8" [41mm]
C	1 9/16" [40mm]	1 9/16" [40mm]



GLASS CUTOUT



GLASS CUTOUT

BELLAGIO

Glass-to-Glass Bracket
CAT. NO. BEL090