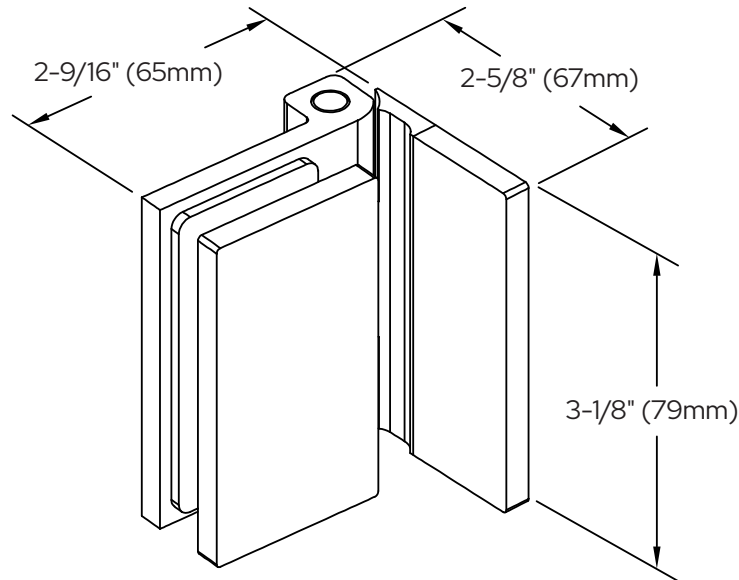


*** SEE TEMPLATE ON BACK ***
Refer to Dimensions Shown
to Ensure Accuracy



COMO

Wall Mount Offset Backplate Hinge

CAT. NO. COM044

Important Information:

1). This is a one-direction hinge and is designed for an outswing application only. A door strike is required so the door isn't allowed to swing inward and damage the door glass.

Specifications:

Glass Sizes:	5/16" (8mm) to 3/8" (10mm) thick tempered safety glass
Construction:	Solid brass
Cutout Required	
Includes:	Gaskets, screws and template

Maximum Door Capacities for Two Hinges

Maximum Door Weight:	110 lbs. (50 kg)
Maximum Door Width:	39-3/8" (1000mm)

Use of Gaskets:

For 5/16" (8mm) Glass: Use one thick gasket on each side
For 3/8" (10mm) Glass: Use one thin gasket on each side

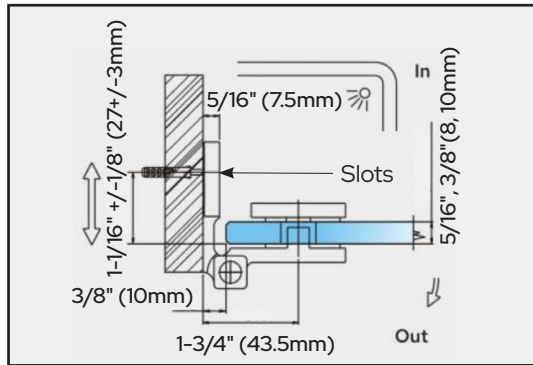
Recommendations:

For public safety, we recommend the use of only tempered safety glass. Do not use power tools when installing these hinges.

Maintenance Guidelines:

- Never use an abrasive cleaner on the hardware. Many of the components are coated with a clear lacquer that will be irreparably damaged if subjected to harsh, abrasive chemicals. Advise your customer that drying the hardware with a clean, soft towel on a daily basis is the best way to maintain the hardware. If mineral deposits build-up, mix a couple of drops of a mild liquid soap (such as Ivory or a similar product) into a cup of warm water. Using a soft, non-abrasive cloth, clean the hardware. Rinse thoroughly with clean, warm water and dry.

IMPORTANT: Project measurements from the edge of the glass.



COMO
Wall Mount Offset Backplate Hinge
CAT. NO. COMO44

