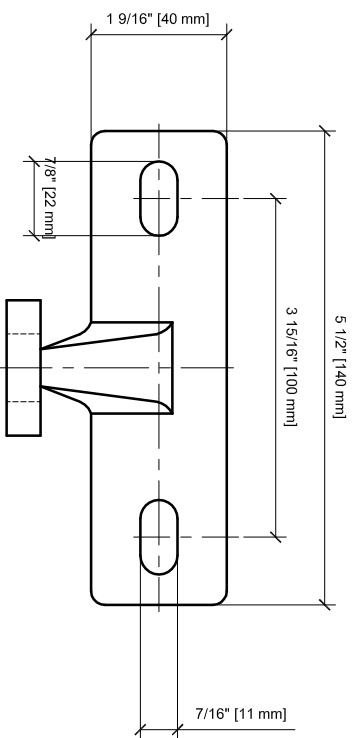
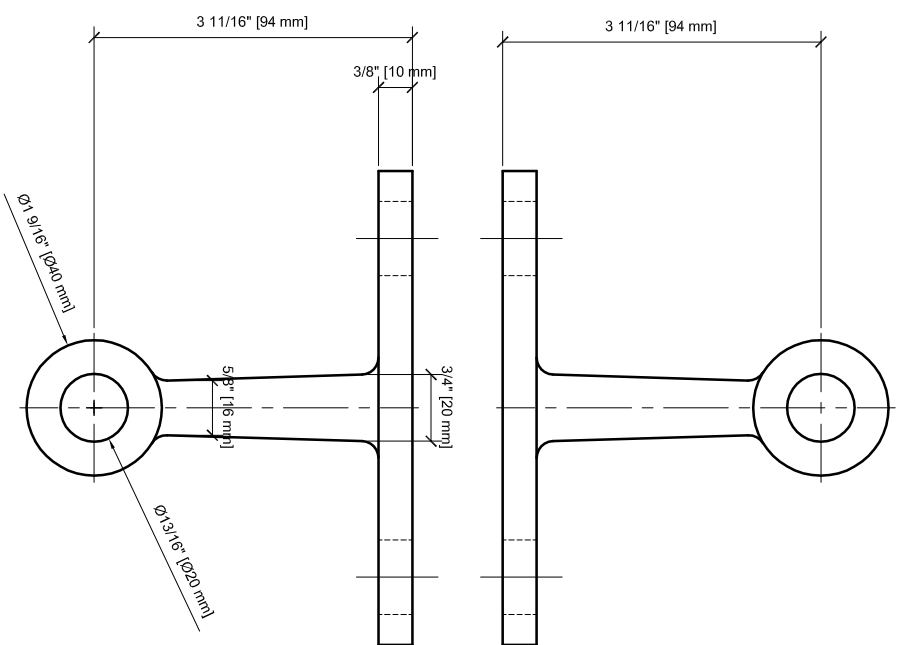


**FMH2**



Drawn By: RGA Date: 05/13/10 Scale: As Noted Job No.: FMH2 Sheet No.: 1	Glazing Contractor : <b>CR LAURENCE</b> 2503 East Vernon Ave Los Angeles, CA 90058 Tel 1 323 588 1281 Fax 1 323 581 6522	Project Name : <b>FMH2 SPIDER FITTING</b>	Architect : - - - - Tel - Fax -	 C.R. LAURENCE CO. ARCHITECTURAL PRODUCTS 2503 E. Vernon Avenue, Los Angeles, CA 90058-1897 PH (800) 421-6144 FAX (800) 262-3299 www.crlaurence.com	Revisions By: JRM - 02/15/2011