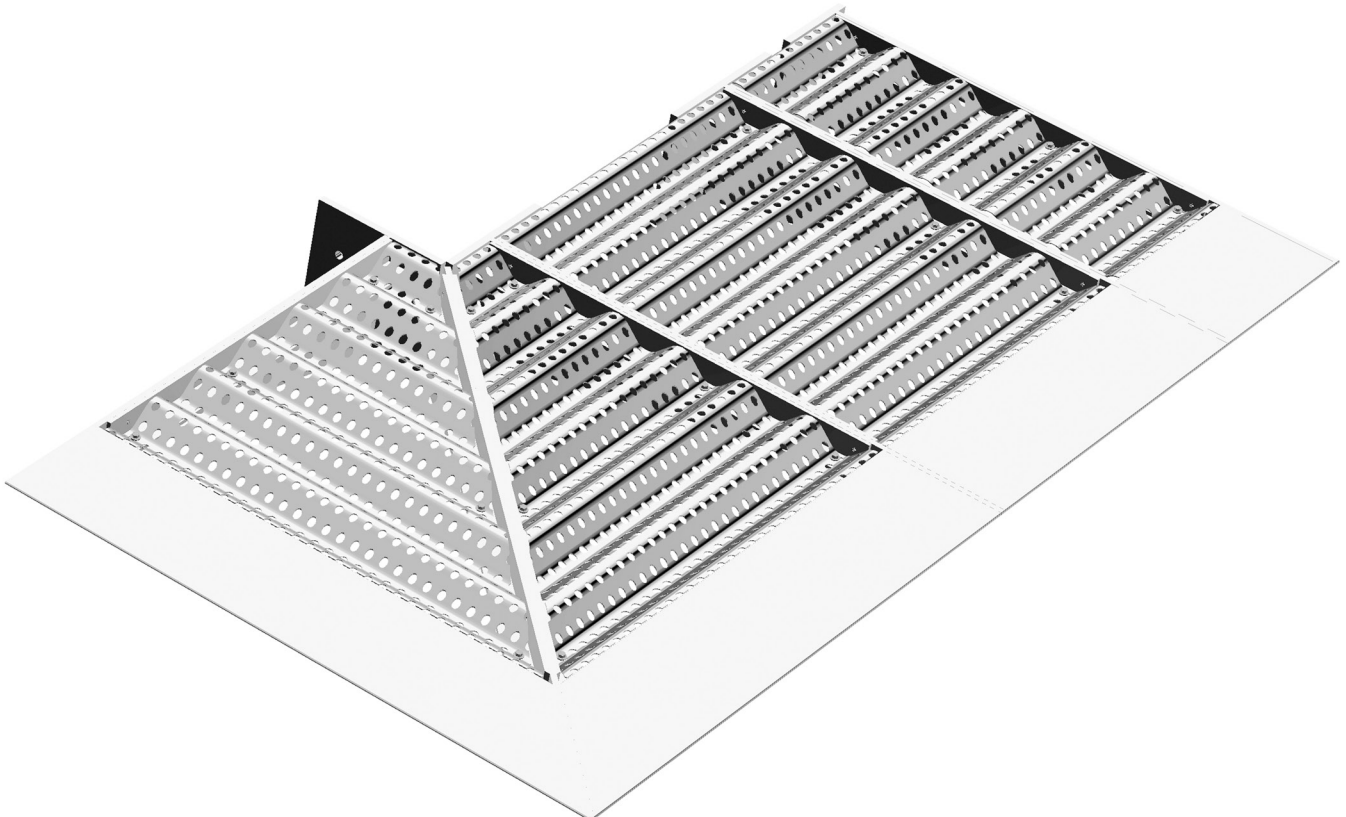
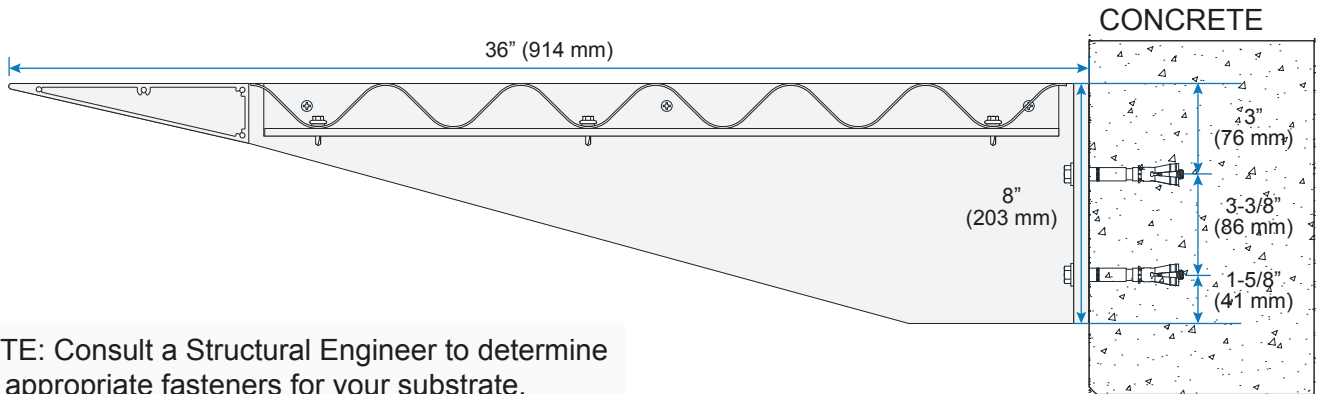


# AW7750 SERIES ALUMINUM SUNSHADE SYSTEM

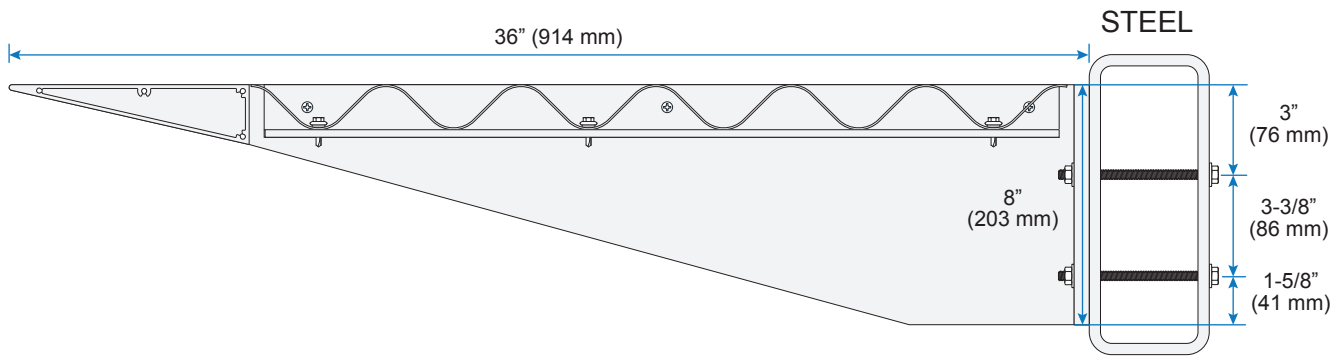


# MOUNTING OPTIONS

AW7750 Series Sunshades can also be mounted to curtain walls. Contact CRL Technical Sales for details.



NOTE: Consult a Structural Engineer to determine the appropriate fasteners for your substrate.



**IMPORTANT: READ THIS MANUAL THOROUGHLY BEFORE BEGINNING INSTALLATION**

## TABLE OF CONTENTS

MOUNTING OPTIONS .....	2
MODEL IDENTIFICATION .....	3
INSTALLATION .....	4 - 6
Assemble and Install First Panel .....	4
Install Center Outriggers and Fascia for Center Panels .....	5
Install End Outrigger and Fascia for Last Panel .....	5
Install Infill Panels .....	6

# MODEL IDENTIFICATION

AW7750 Series Sunshades Standard sizes are listed below. Custom sizes and finishes available upon request.

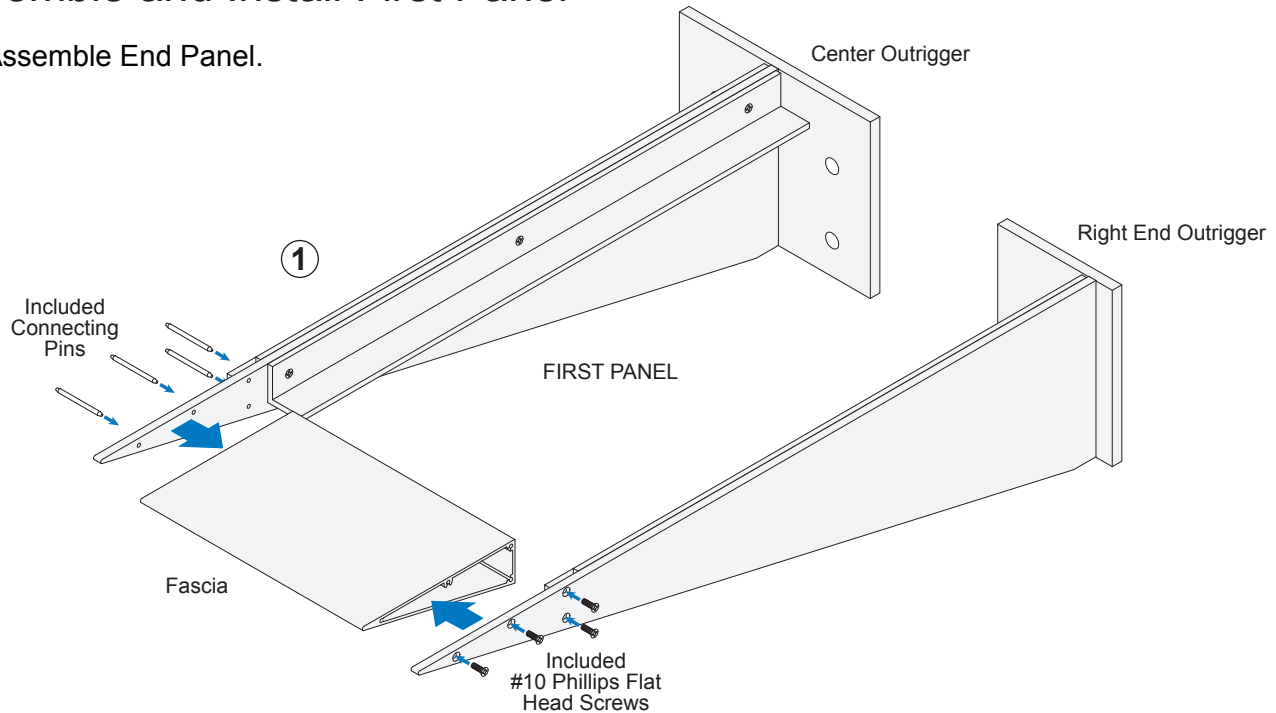
<p><b>AW7750C12</b></p> <p>36" (914 mm) 12" (305 mm)</p> <p>12" (305 mm) Center Panel</p>	<p><b>AW7750C24</b></p> <p>36" (914 mm) 24" (610 mm)</p> <p>24" (610 mm) Center Panel</p>	<p><b>AW7750C36</b></p> <p>36" (914 mm) 36" (914 mm)</p> <p>36" (914 mm) Center Panel</p>	<p><b>AW7750C48</b></p> <p>36" (914 mm) 48" (1219 mm)</p> <p>48" (1219 mm) Center Panel</p>
<p><b>AW7750L12</b></p> <p>36" (914 mm) 12" (305 mm)</p> <p>12" (305 mm) Left End Panel</p>	<p><b>AW7750L24</b></p> <p>36" (914 mm) 24" (610 mm)</p> <p>24" (610 mm) Left End Panel</p>	<p><b>AW7750L36</b></p> <p>36" (914 mm) 36" (914 mm)</p> <p>36" (914 mm) Left End Panel</p>	<p><b>AW7750L48</b></p> <p>36" (914 mm) 48" (1219 mm)</p> <p>48" (1219 mm) Left End Panel</p>
<p><b>AW7750R12</b></p> <p>36" (914 mm) 12" (305 mm)</p> <p>12" (305 mm) Right End Panel</p>	<p><b>AW7750R24</b></p> <p>36" (914 mm) 24" (610 mm)</p> <p>24" (610 mm) Right End Panel</p>	<p><b>AW7750R36</b></p> <p>36" (914 mm) 36" (914 mm)</p> <p>36" (914 mm) Right End Panel</p>	<p><b>AW7750R48</b></p> <p>36" (914 mm) 48" (1219 mm)</p> <p>48" (1219 mm) Right End Panel</p>
<p><b>AW7750CNR</b></p> <p>36" (914 mm) 40" (1016 mm) 40" (1016 mm) 36" (914 mm)</p> <p>40" (1016 mm) Corner Panel</p>	<p><b>EBA334</b></p> <p>M8 3-7/8" Long HSL-3 Expansion Anchor</p>	<p><b>AWS38BA</b></p> <p>CRL Bolt Assembly for Aluminum Sunshades</p>	<p><b>14X78HWSD</b></p> <p>1/4-14 x 7/8" Self-Drilling HWHS install Perforated Corrugated Infill</p>

# INSTALLATION

Begin at one end. Assemble and install first panel, and then install Outriggers and Fascia for each connecting panel. For short runs, all panels may be assembled and installed as a unit. Corner Outriggers are welded together with the Fascia. For installations with corners, begin with Corner Outrigger.

## Assemble and Install First Panel

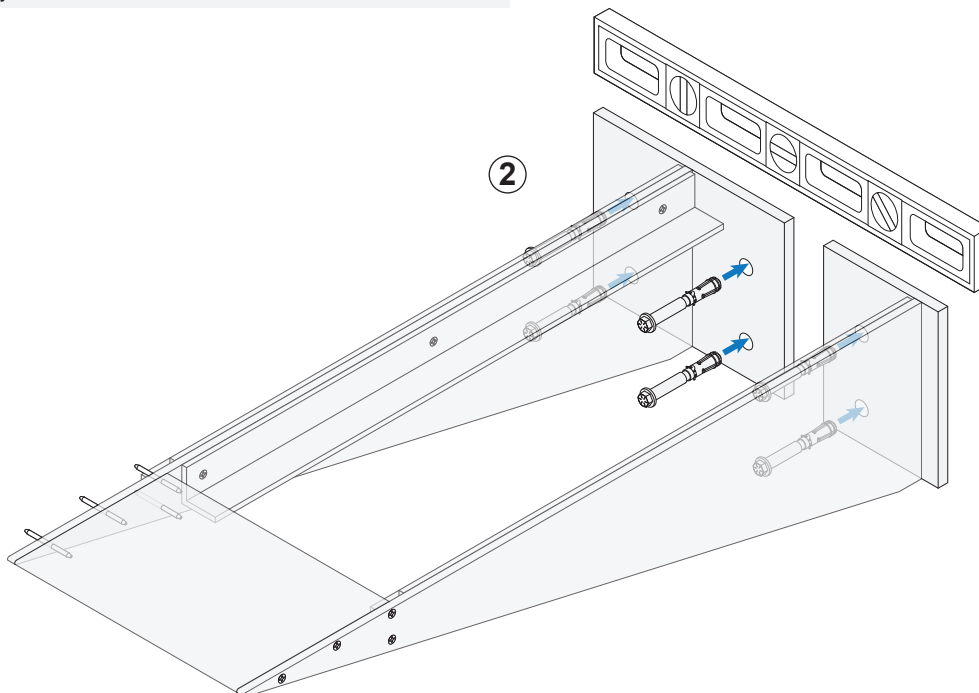
### ① Assemble End Panel.



### ② Anchor Outriggers to substrate.

NOTE: Use fasteners specified by a Structural Engineer for your conditions. CRL EBA334 for concrete shown.

NOTE: Ensure Outriggers are plumb and level. Shim as needed.



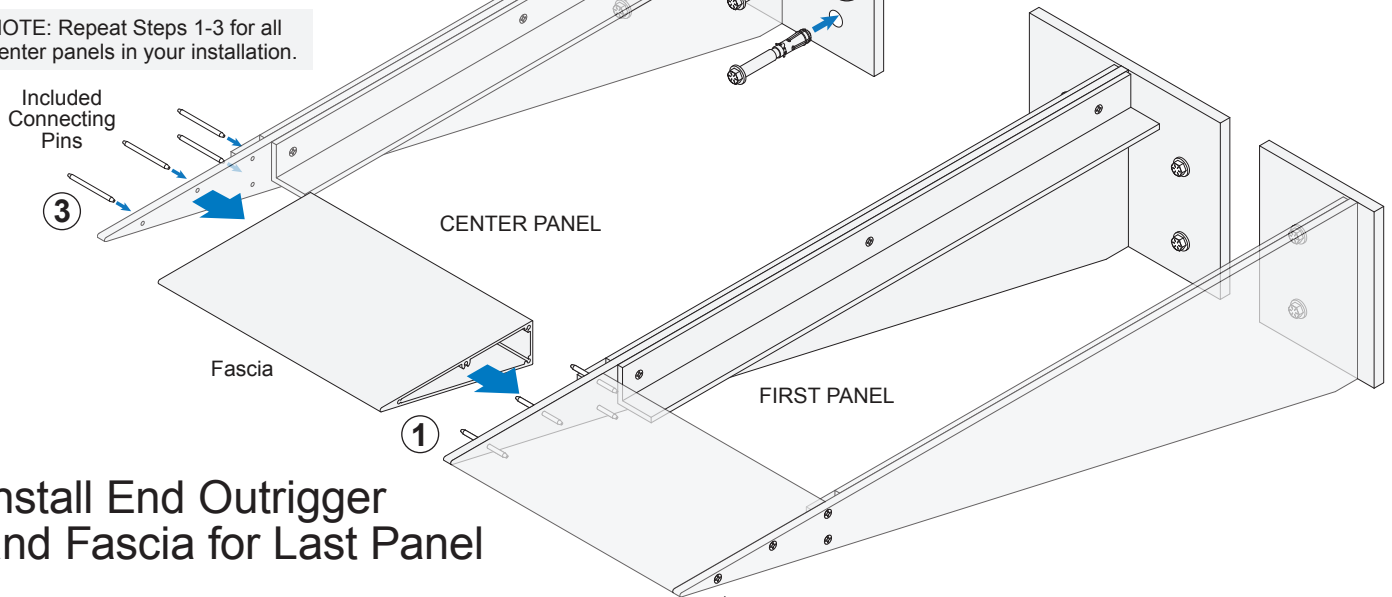
## INSTALLATION (CONTINUED)

### Install Center Outriggers and Fascia for Center Panels

- ① Install Fascia for next panel.
- ② Anchor Center Outrigger to substrate.
- ③ Fit Connecting Pins into Center Outrigger to secure Fascia.

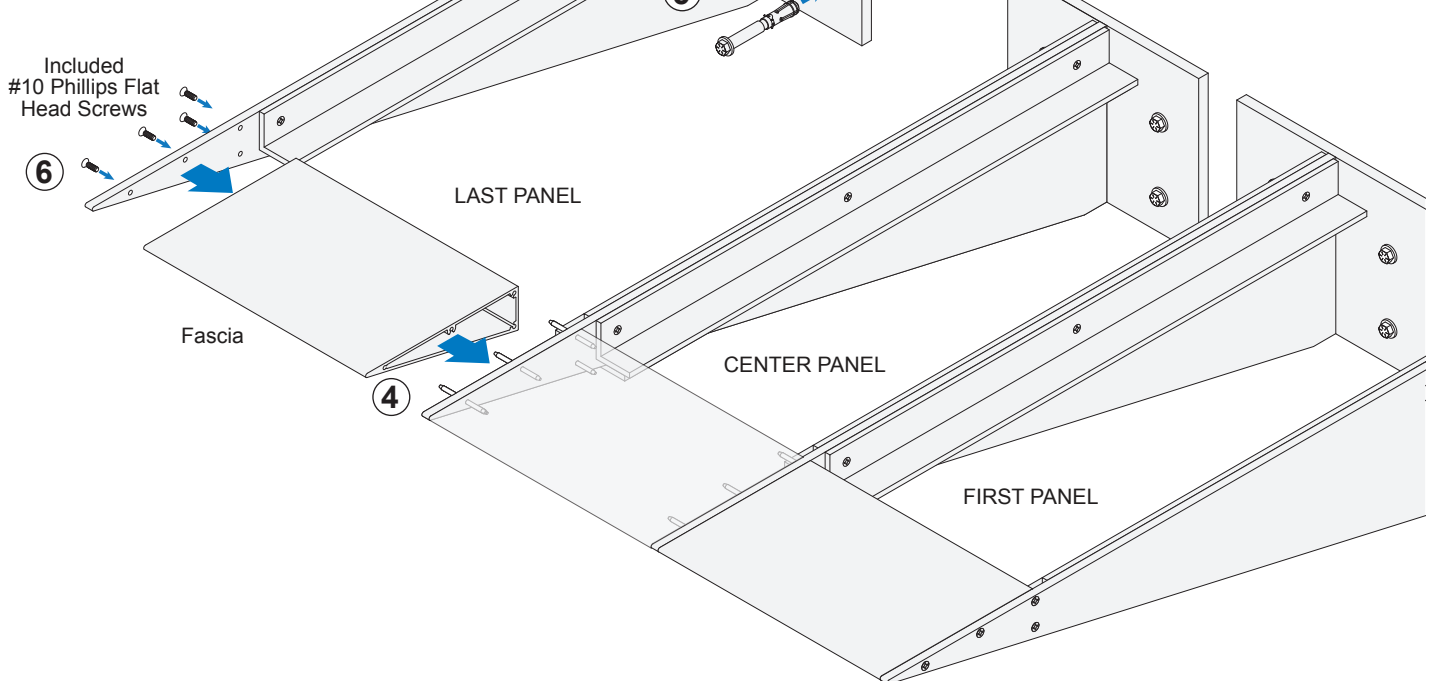
NOTE: Ensure Outriggers are plumb and level. Shim as needed. Use fasteners specified by a Structural Engineer for your conditions.

NOTE: Repeat Steps 1-3 for all center panels in your installation.



### Install End Outrigger and Fascia for Last Panel

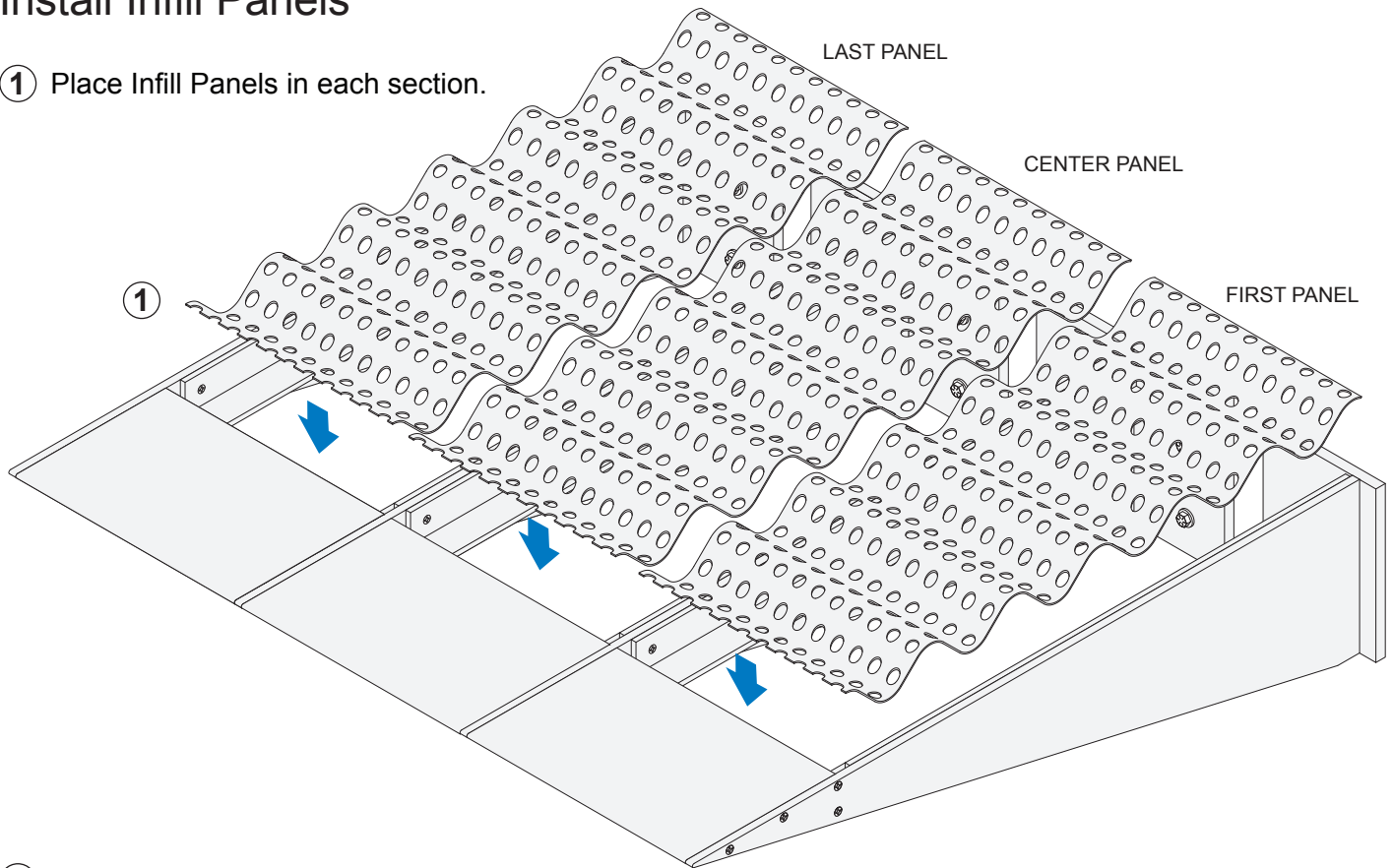
- ④ Install Fascia for end panel.
- ⑤ Anchor End Outrigger to substrate.
- ⑥ Secure Fascia at End Outrigger with #10 Flat Head Screws.



# INSTALLATION (CONTINUED)

## Install Infill Panels

① Place Infill Panels in each section.



② Anchor with included Hex Washer Screws.

