

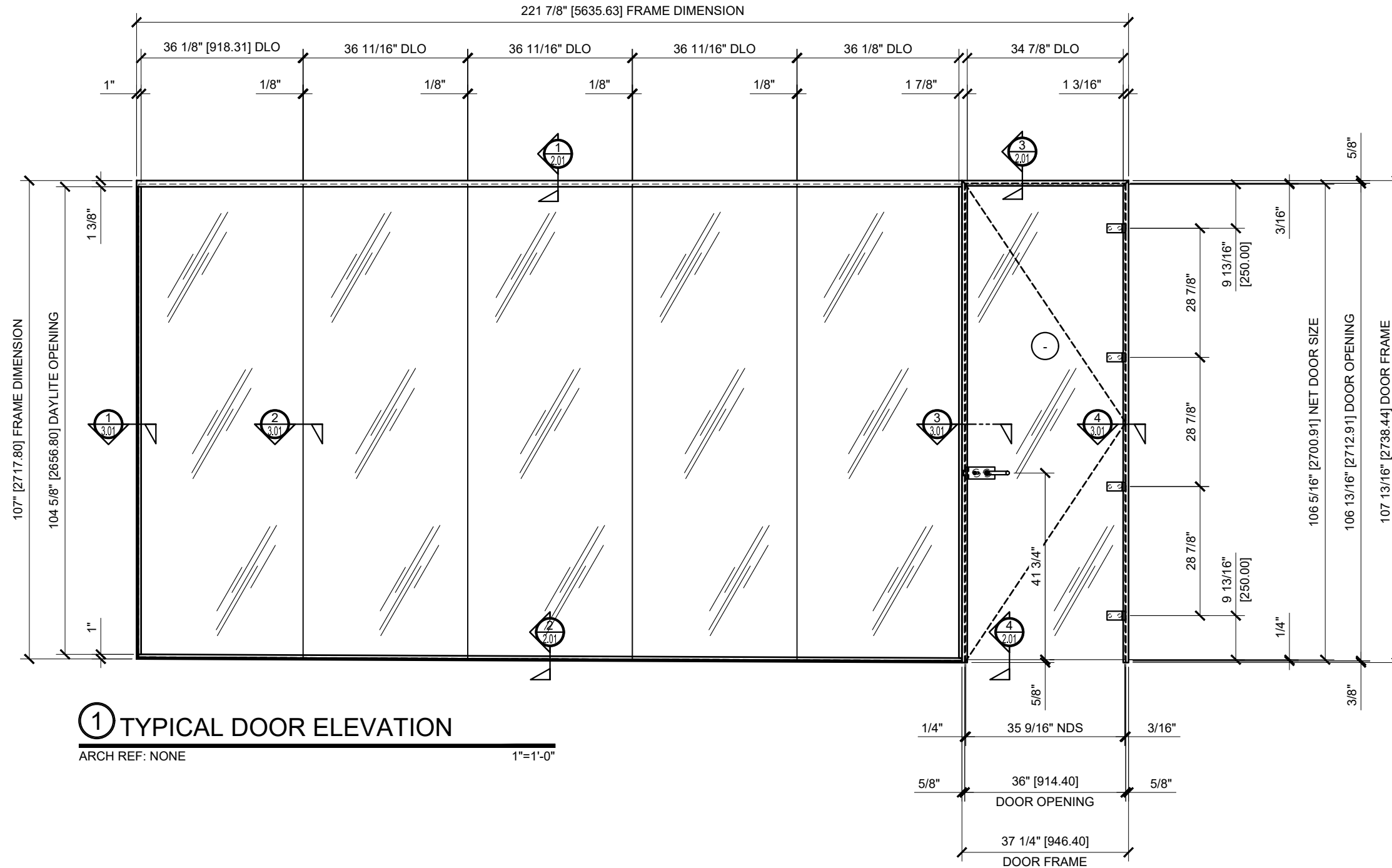
# CRL FALLBROOK SERIES WITH ALL GLASS DOOR

THE FALLBROOK SERIES USES MONOLITHIC TEMPERED GLASS ON THE DOORS AND MONOLITHIC GLASS ON THE FIXED PANELS. THE FRONT LOAD DRY GLAZING DOES NOT HAVE EXPOSED FASTENERS, AND THE NARROW PROFILE FRAMES ALLOW CREATION OF A FLOATING APPEARANCE, THUS PROVIDING MORE OF THE 'ALL-GLASS' LOOK DESIRED BY MORE DESIGNERS AND ARCHITECTS WHO WANT TO MINIMIZE THE HARDWARE AND EXPOSE MORE GLASS.

FOR ADDITIONAL INFORMATION, PLEASE VISIT US ONLINE AT [CRLAURENCE.COM/OFFICE-PARTITIONS](http://CRLAURENCE.COM/OFFICE-PARTITIONS) OR CONTACT TECHNICAL SALES AT (800) 421-6144 IN THE U.S., (877) 421-6144 FROM CANADA, OR (323) 588-1281 INTERNATIONAL. ASK FOR EXTENSION 7770. YOU CAN ALSO SEND EMAIL TO [PARTITIONS@CRLAURENCE.COM](mailto:PARTITIONS@CRLAURENCE.COM).

## STRUCTURAL DISCLAIMER:

ALL CUSTOMERS WHO IN ANY WAY UTILIZE THIS PRODUCT ARE SOLELY RESPONSIBLE TO CONSULT A STRUCTURAL ENGINEER TO DETERMINE THE SUITABILITY OF THE PRODUCT FOR THE INTENDED USE AND SITE CONDITIONS. ALL INSTALLERS MUST BE QUALIFIED AND HAVE PROFESSIONAL KNOWLEDGE ABOUT COMPLIANCE WITH LOCAL, STATE AND FEDERAL REGULATIONS, SAFETY FACTORS, AND THE APPROPRIATE CHOICE OF FIXING MATERIAL AND PROC



## ① TYPICAL DOOR ELEVATION

ARCH REF: NONE

1"=1'-0"

- \* ACCOMMODATES 5/16" (8mm), 3/8" (10mm), AND 1/2" (12mm) THK. GLASS FOR FIXED. ALSO 3/8" (10mm) AND 1/2" (12mm) THK. FOR DOOR
- \* SATIN ANODIZED, BRUSHED NICKEL ANODIZED, OR MATTE BLACK FINISHES

Revisions By:

**CRL**  
A CRH COMPANY  
2903 E. Vernon Avenue, Los Angeles, CA 90058-1897  
PH (800)-421-6144 FX 800-367-7501 www.crlaurence.com

Description:  
FALLBROOK SERIES  
OFFICE FRONT  
SYSTEM

Drawn By:

Date: 2/5/19

Scale: NA

File Name:

SYS0102A\_FALLBROOK OFFICE FRONT

Sheet

1.01

## FALLBROOK, DOOR AND HINGE LIMITATION

Maximum door width = 36" (914mm)

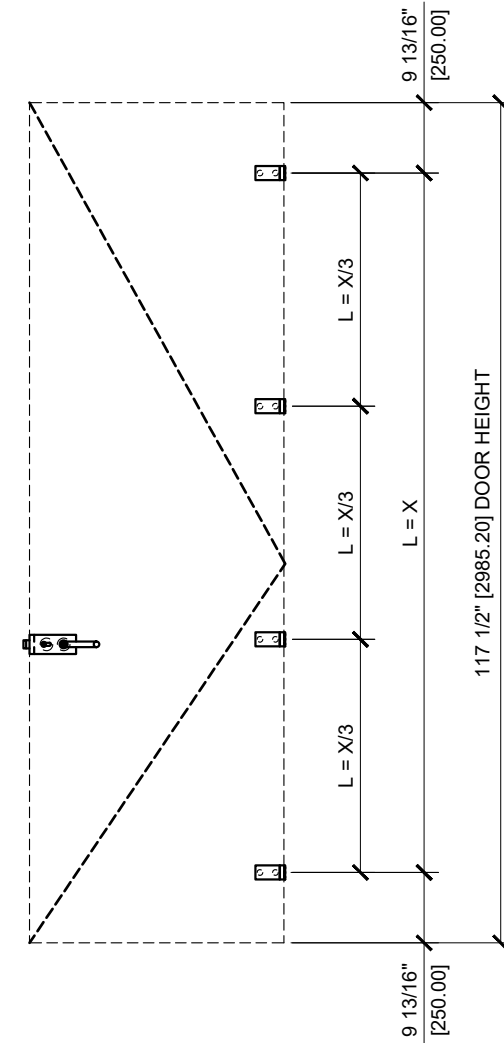
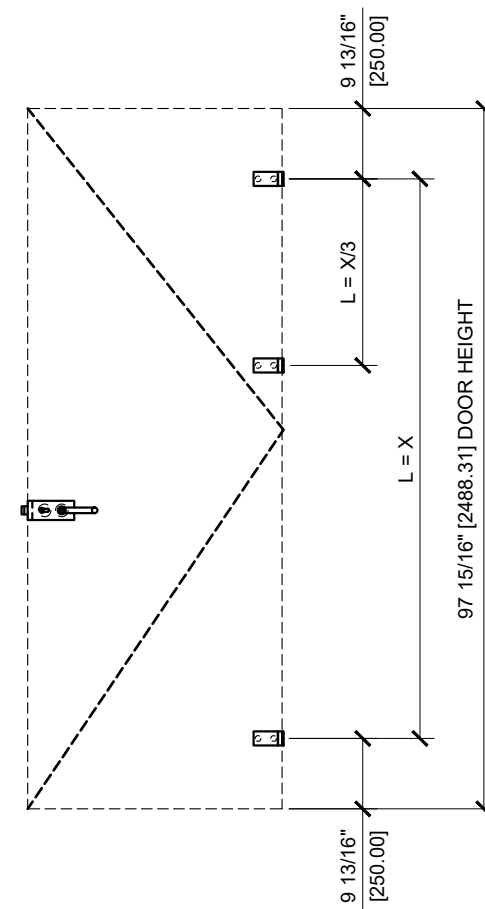
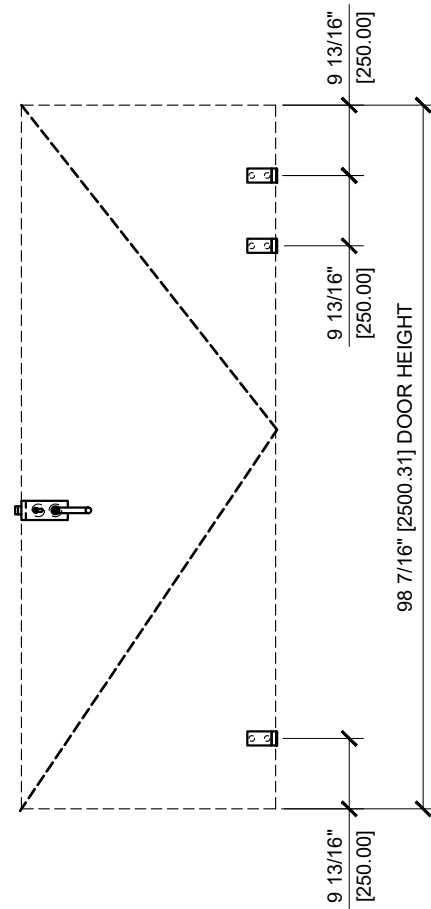
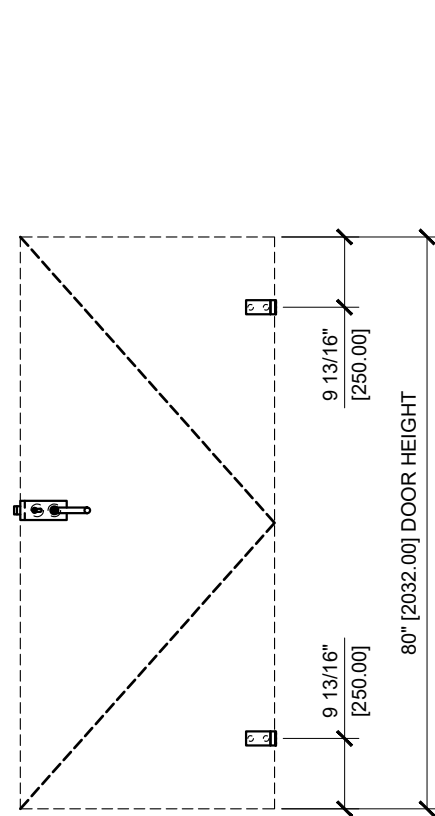
Maximum door height = 118" (2997mm)

Maximum door weight = 190lbs (86kg)

Number of hinges required:

- 2 hinges - door weight up to 110lbs (50kg) OR door height up to 80" (2032mm)
- 3 hinged - door weight over 110lbs (50kg) and up to 190lbs (86kg) OR door heights 80" to 98-7/16"
- 4 hinges - door height over 98-7/16" to maximum height 118" (3000mm) regardless of weight.

Recommended hinge locations:



Revisions By:



Description:  
FALLBROOK SERIES  
OFFICE FRONT  
SYSTEM

Drawn By:

Date: 2/5/19

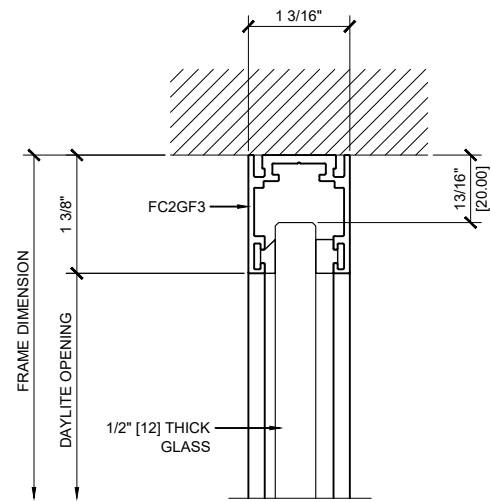
Scale: NA

File Name:

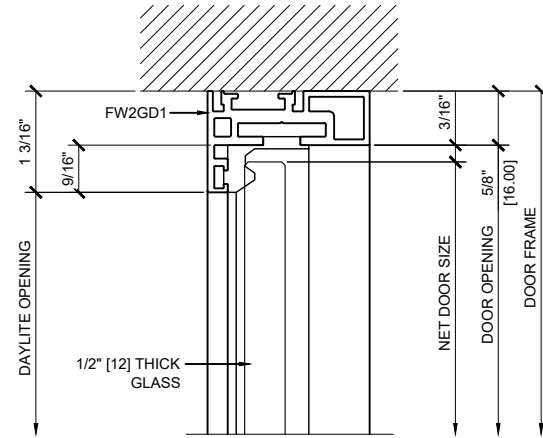
SYS0102A\_FALLBROOK OFFICE FRONT

Sheet

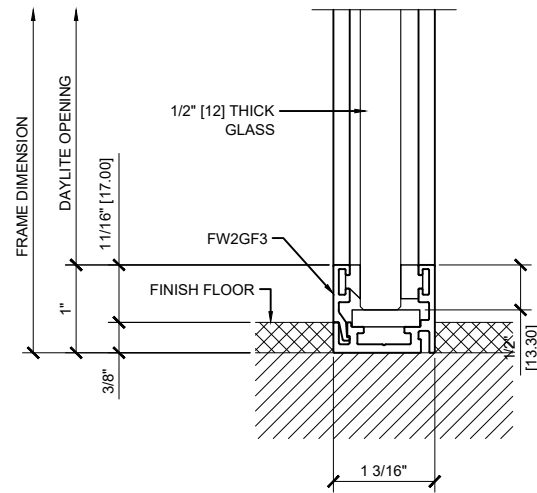
1.02



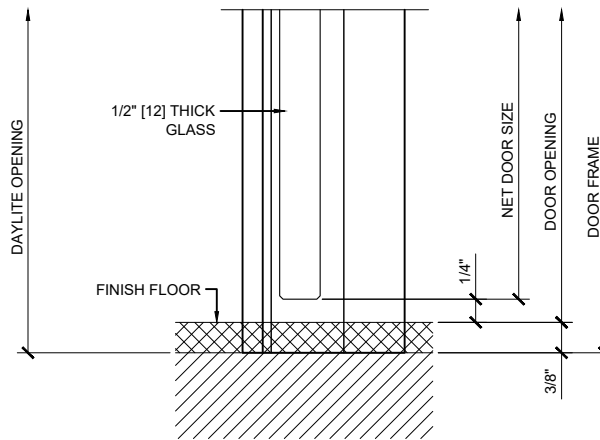
① SIDELITE HEAD DETAIL  
 ARCH REF: NONE 1'-0"=1'-0"



③ SWING IN DOOR HEAD DETAIL  
 ARCH REF: NONE 1'-0"=1'-0"



② SIDELITE SILL DETAIL  
 ARCH REF: NONE 1'-0"=1'-0"



④ SWING IN DOOR SILL DETAIL  
 ARCH REF: NONE 1'-0"=1'-0"

Revisions By:

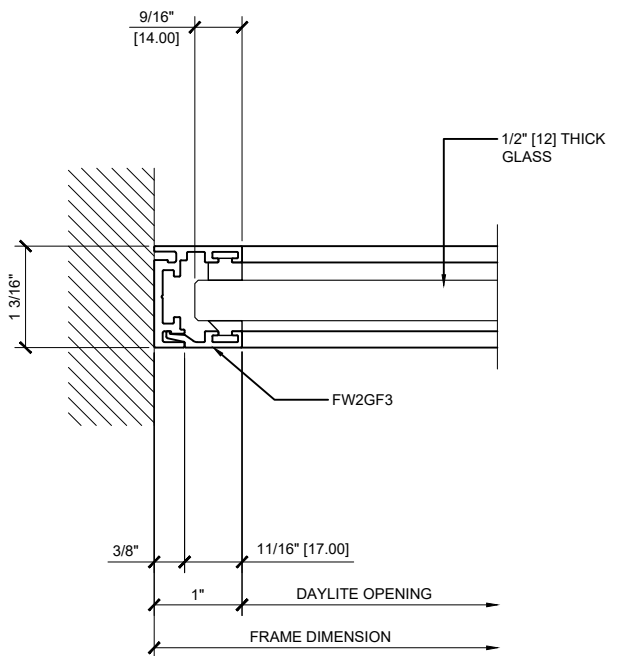


Description:  
 FALLBROOK SERIES  
 OFFICE FRONT  
 SYSTEM

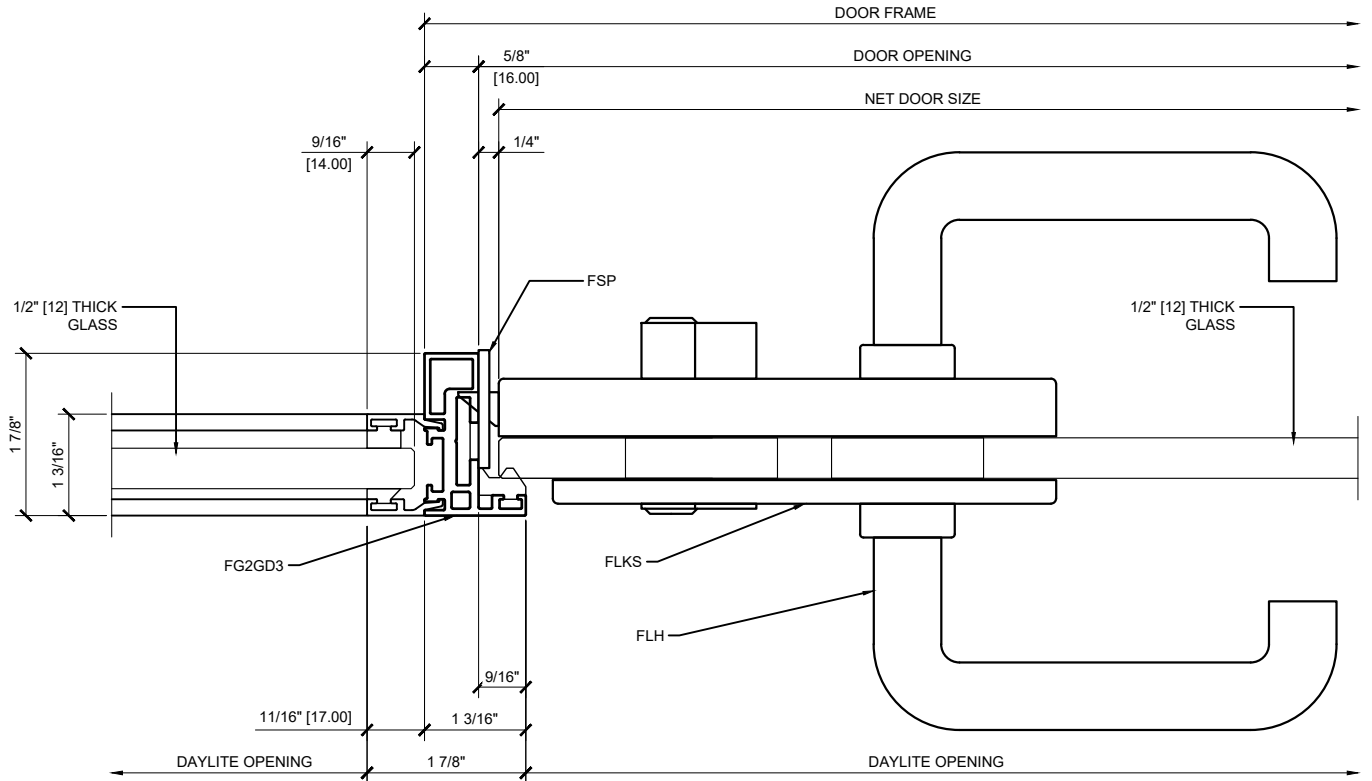
Drawn By:  
 Date: 2/5/19  
 Scale: NA  
 File Name:  
 SYS0102A\_FALLBROOK OFFICE FRONT

Sheet

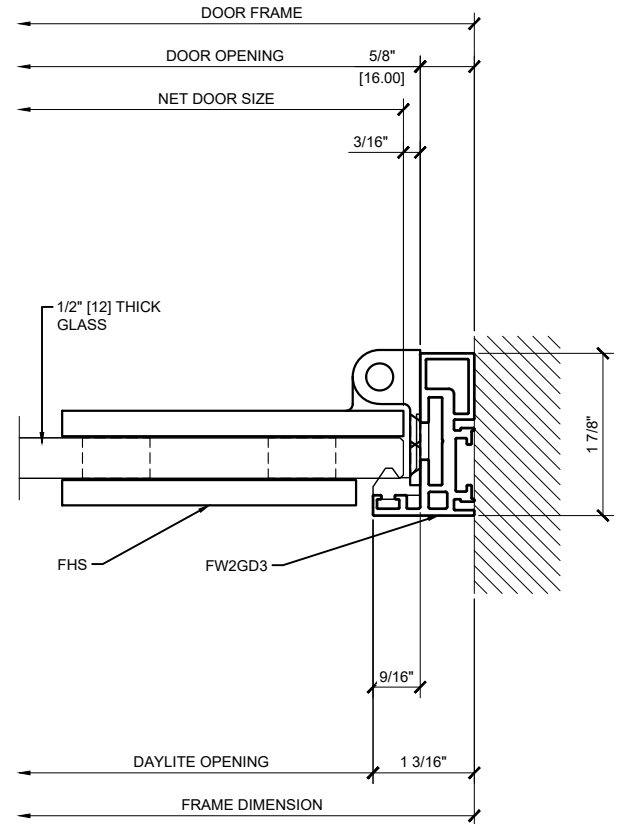
2.01



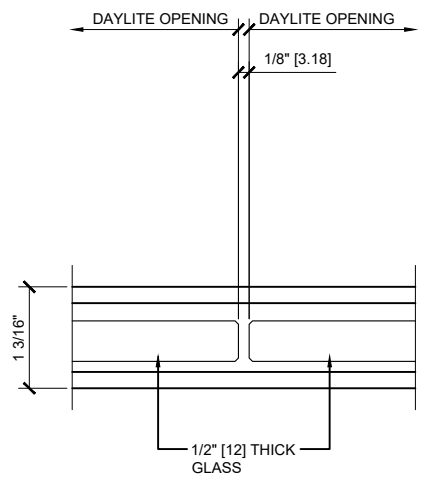
① SIDELITE JAMB DETAIL  
ARCH REF: NONE 1'-0"=1'-0"



③ SIDELITE / SWING IN DOOR JAMB DETAIL  
ARCH REF: NONE 1'-0"=1'-0"



④ SWING IN DOOR JAMB DETAIL  
ARCH REF: NONE 1'-0"=1'-0"



② SIDELITE GLASS JOINT DETAIL  
ARCH REF: NONE 1'-0"=1'-0"

Revisions By:



Description:  
FALLBROOK SERIES  
OFFICE FRONT  
SYSTEM

Drawn By:  
Date: 2/5/19  
Scale: NA  
File Name:  
SYS0102A\_FALLBROOK OFFICE FRONT