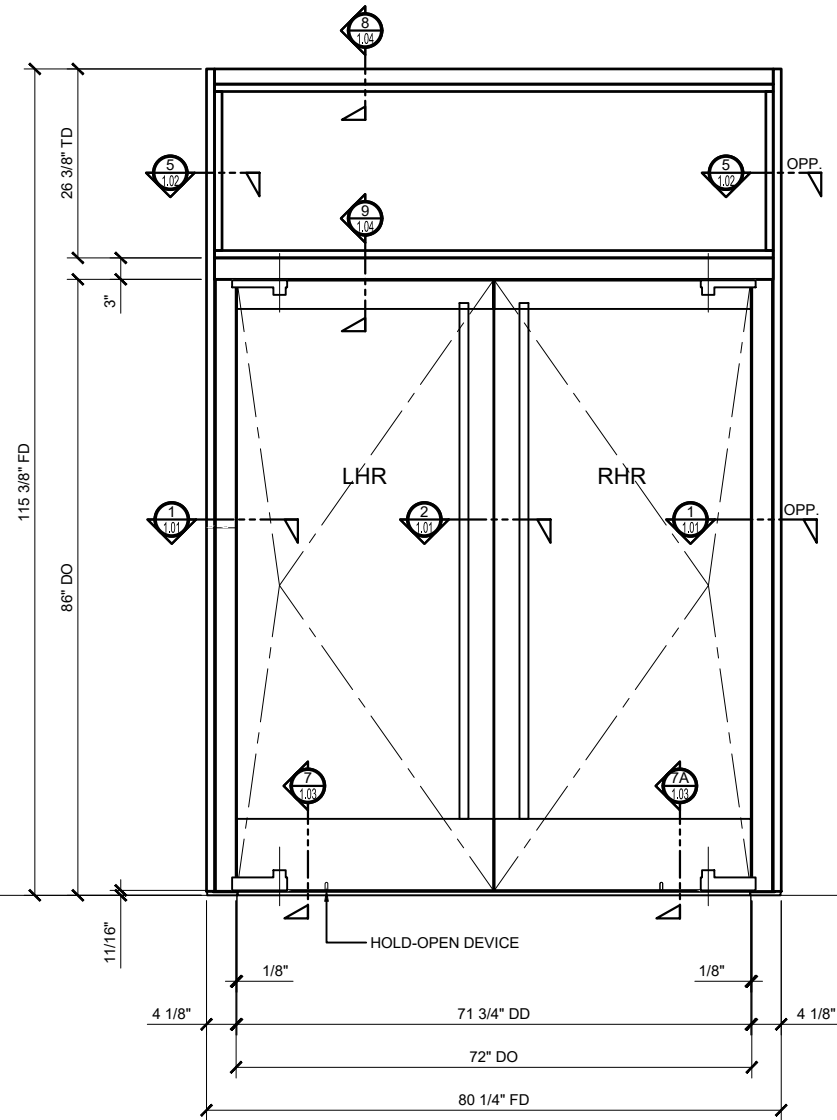
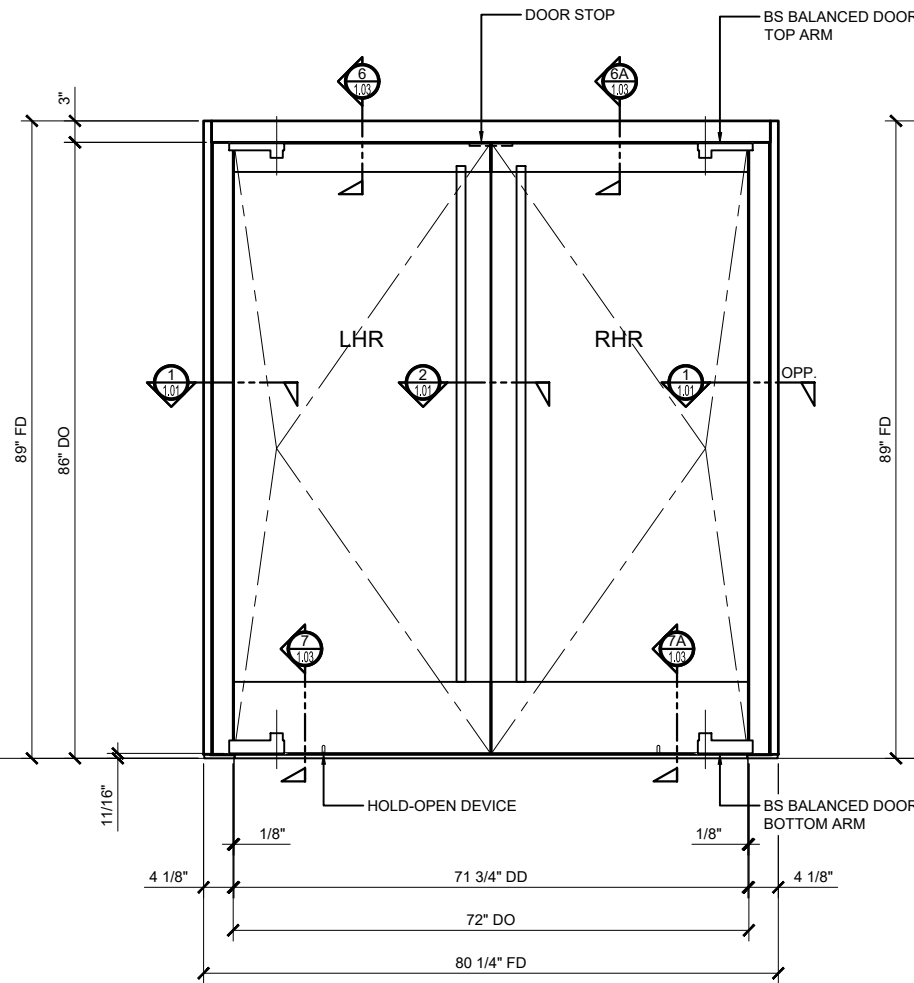


**CRL BALANCER SERIES BALANCED DOOR
ALUMINUM CLAD ALL GLASS WITH EXPOSED SHAFT**

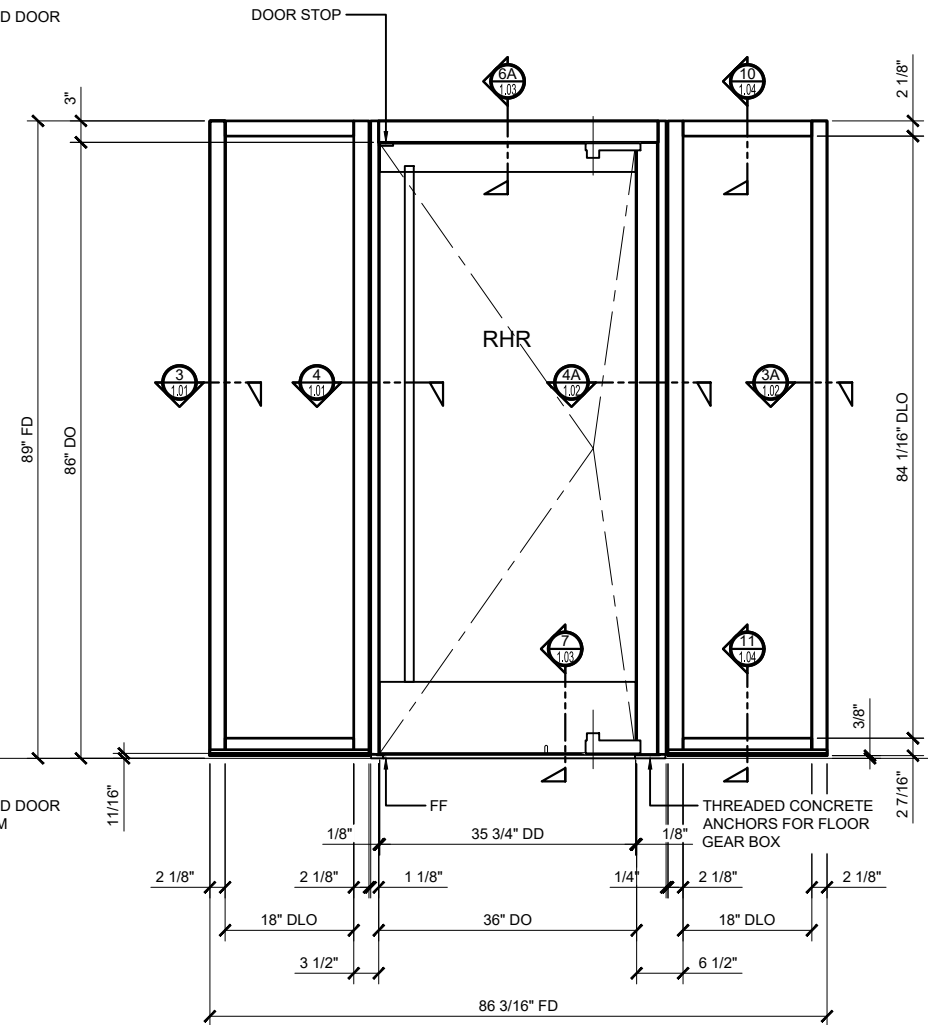
STRUCTURAL DISCLAIMER:
ALL CUSTOMERS WHO IN ANY WAY UTILIZE THIS PRODUCT ARE SOLELY RESPONSIBLE TO CONSULT A STRUCTURAL ENGINEER TO DETERMINE THE SUITABILITY OF THE PRODUCT FOR THE INTENDED USE AND SITE CONDITIONS. ALL INSTALLERS MUST BE QUALIFIED AND HAVE PROFESSIONAL KNOWLEDGE ABOUT COMPLIANCE WITH LOCAL, STATE AND FEDERAL REGULATIONS, SAFETY FACTORS, AND THE APPROPRIATE CHOICE OF FIXING MATERIAL AND PROCEDURES.



**CRL BALANCER SERIES BALANCED DOOR
ALUMINUM CLAD ALL GLASS WITH EXPOSED SHAFT
PAIR DOORS WITH TRANSOM ELEVATION**

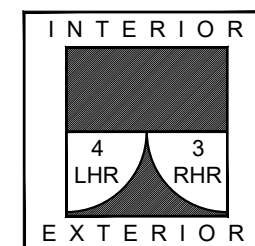


**CRL BALANCER SERIES BALANCED DOOR
ALUMINUM CLAD ALL GLASS WITH EXPOSED SHAFT
PAIR DOORS ELEVATION**



**CRL BALANCER SERIES BALANCED DOOR
ALUMINUM CLAD ALL GLASS WITH EXPOSED SHAFT
SINGLE DOOR WITH SIDELITE ELEVATION**

DOOR SWING CHART



STANDARD ABBREVIATIONS

- RO ROUGH OPENING
- FD FRAME DIMENSION
- DLO DAYLIGHT OPENING
- DO DOOR OPENING
- DD DOOR DIMENSION
- TD TRANSOM DIMENSION
- FF FLOOR FIDING

Revisions By:

CRL

2503 E. Venice Avenue, Los Angeles, CA 90059-1897
PH (800)-421-6144 FX: 800-587-7501 www.crlaurence.com

Description:
CRL BALANCER SERIES
BALANCED DOOR
U.S. ALUMINUM CLAD
ALL GLASS

Drawn By: TGM
Date: 11/15/18
Scale: AS NOTED
File Name: BS BD - U.S. ALUM CLAD ALL GLASS.dwg
Sheet

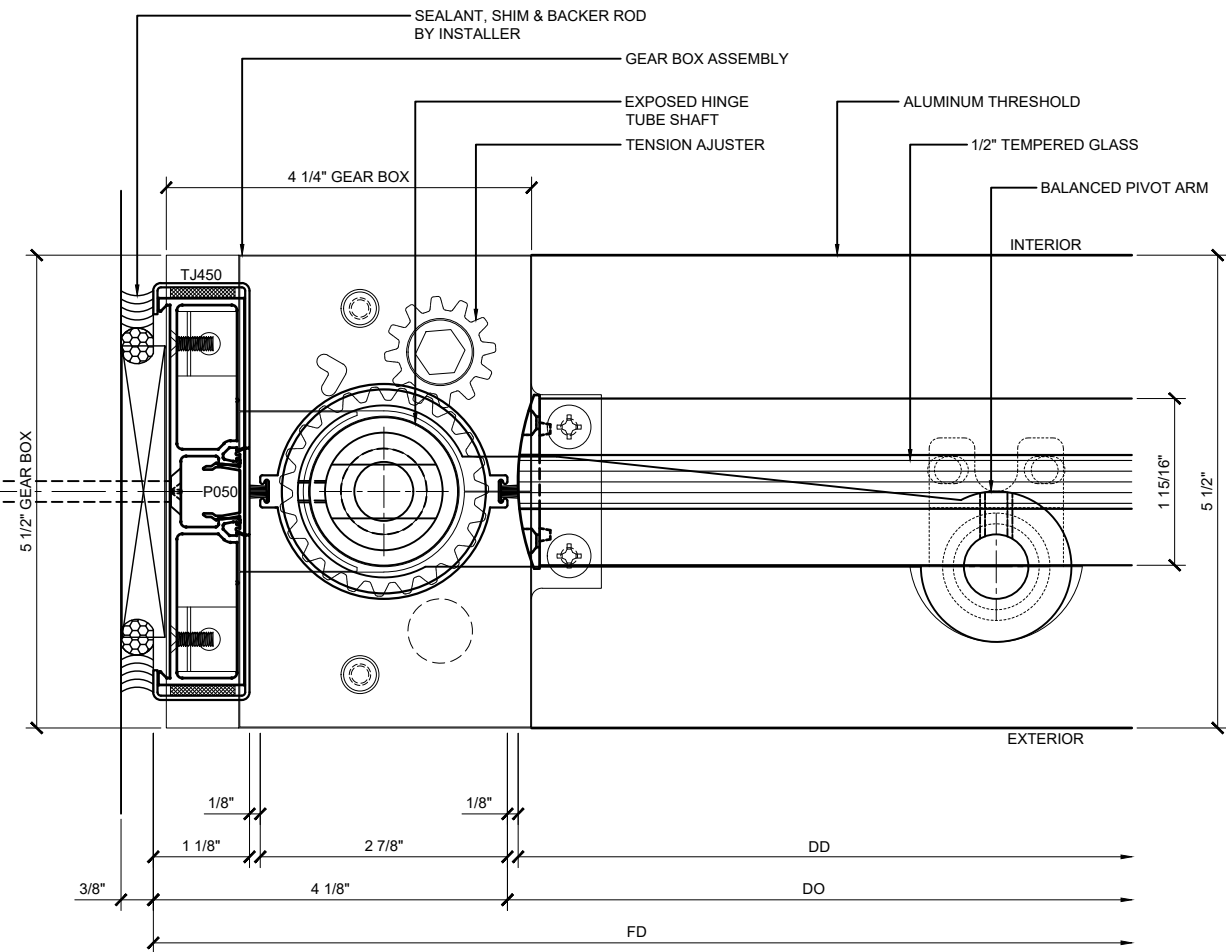
Revisions By:

CRL
2503 E. Vernon Avenue, Los Angeles, CA 90058-1887
PH: (800)-421-6144 FX: 800-587-7501 www.crlaurence.com

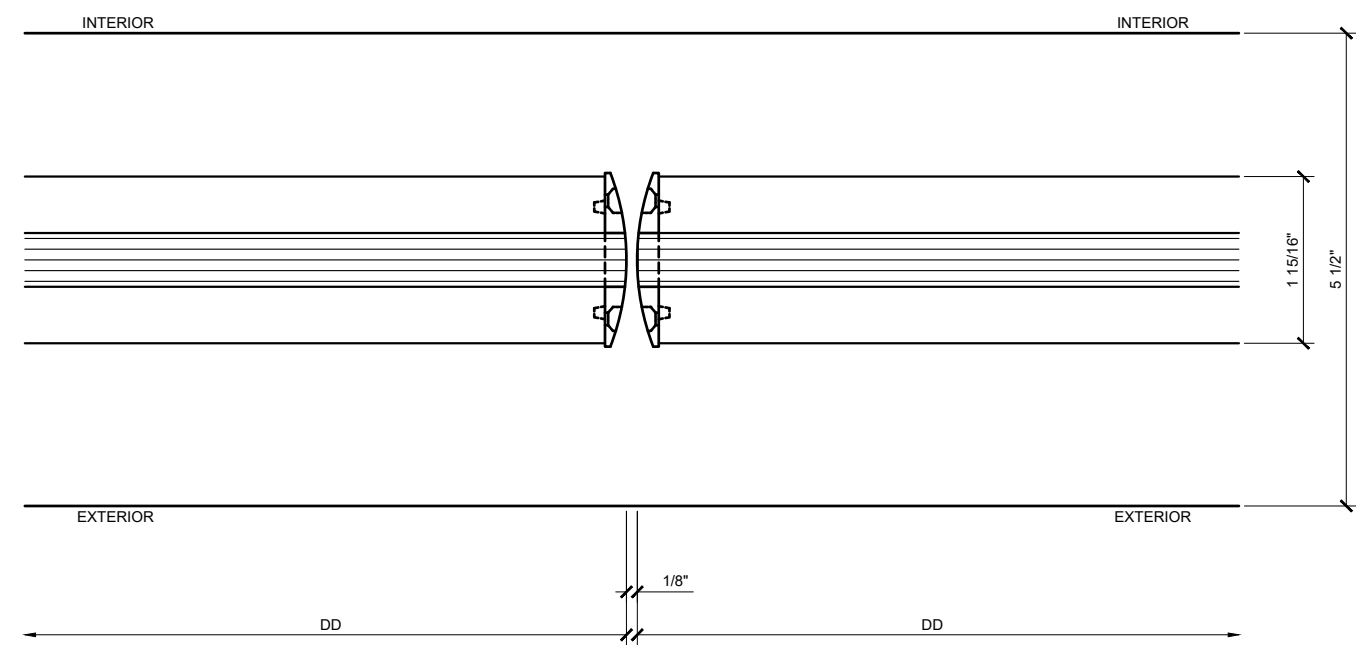
Description:
CRL BALANCER SERIES
BALANCED DOOR
U.S. ALUMINUM CLAD
ALL GLASS

Drawn By: TGM
Date: 11/15/18
Scale: AS NOTED
File Name:
BS BD - U.S. ALUM CLAD ALL GLASS.dwg
Sheet

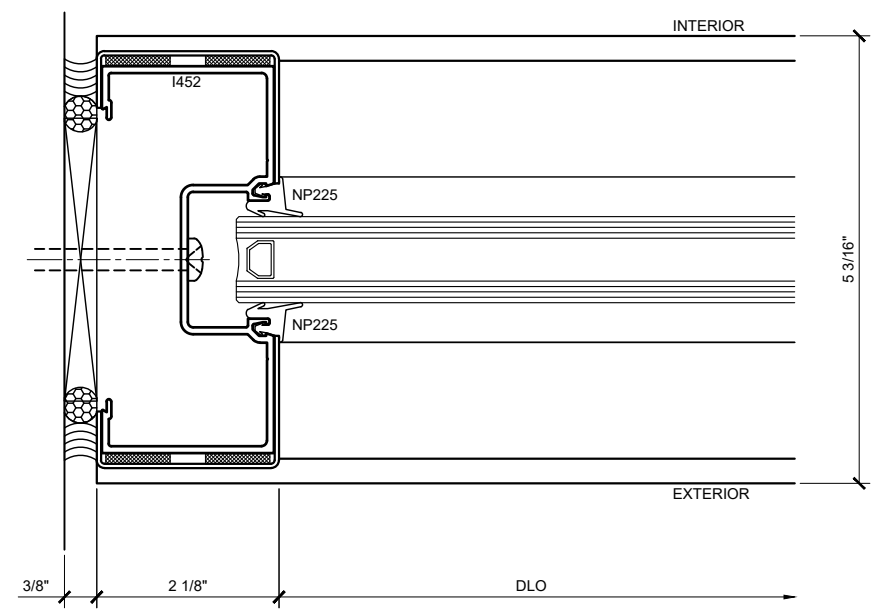
1.01



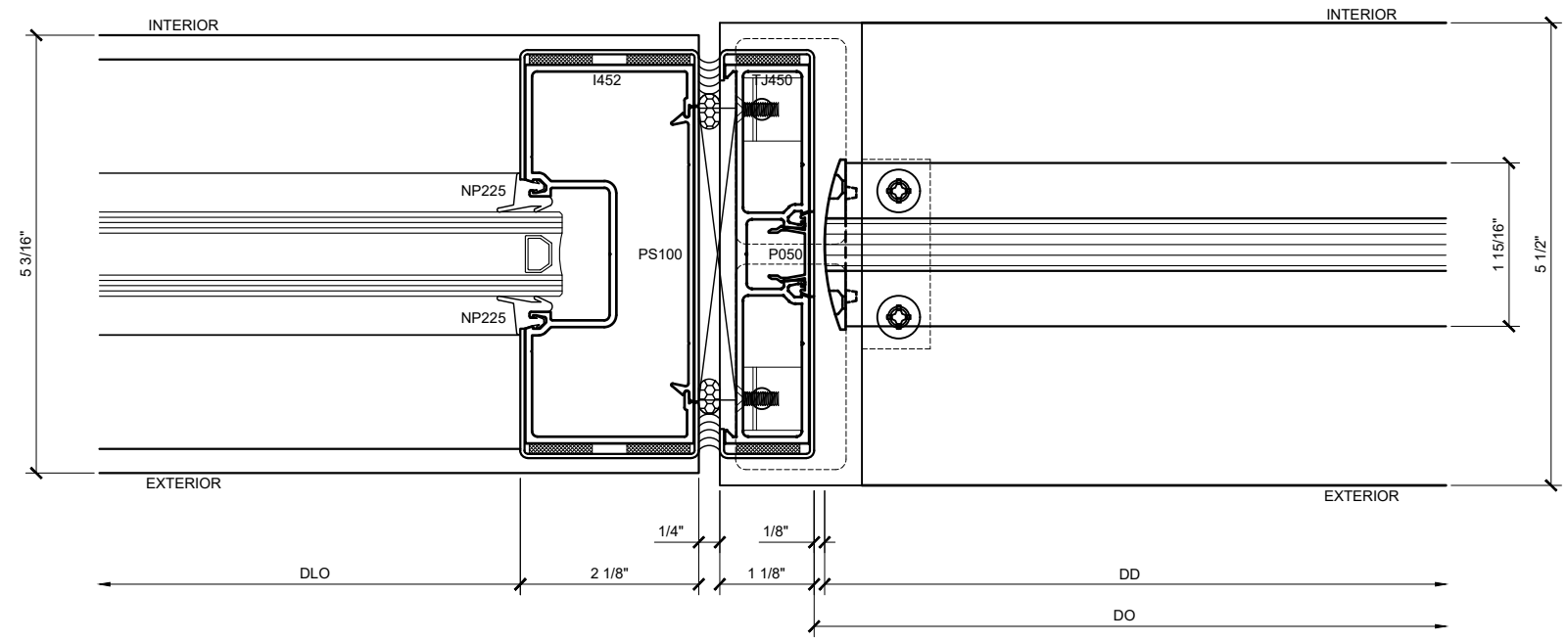
1 DOOR PIVOT JAMB DETAIL
ARCH REF: N/A 1'-0"=1'-0"



2 MEETING STILES DETAIL
ARCH REF: N/A 1'-0"=1'-0"



3 JAMB DETAIL AT SIDELITE
ARCH REF: N/A 1'-0"=1'-0"



4 DOOR STRIKE JAMB AT SIDELITE DETAIL
ARCH REF: N/A 1'-0"=1'-0"

BALANCER SERIES ALUMINUM CLAD ALL GLASS BALANCED DOORS DETAILS / 4-1/2\"/>

Revisions By:

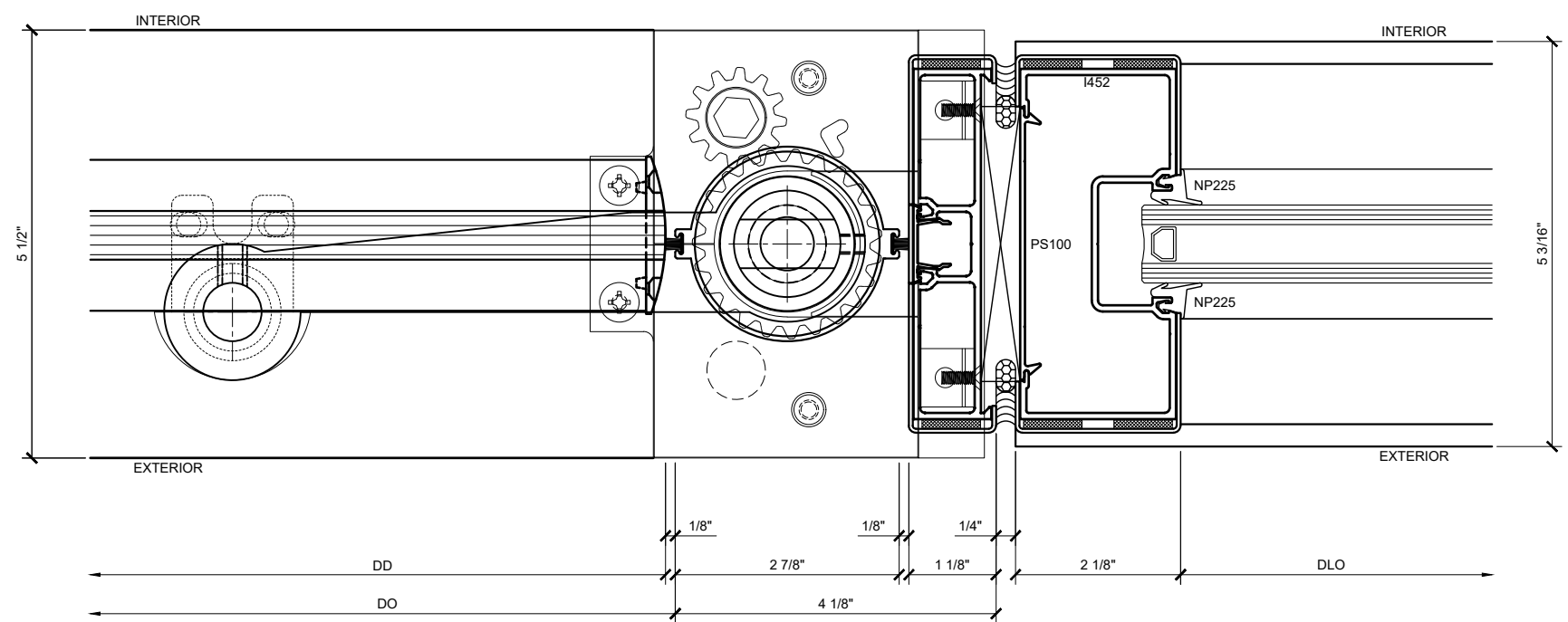
CRL

2503 E. Vernon Avenue, Los Angeles, CA 90059-1897
PH: (800)-421-6144 FX: 800-587-7501 www.crlaurence.com

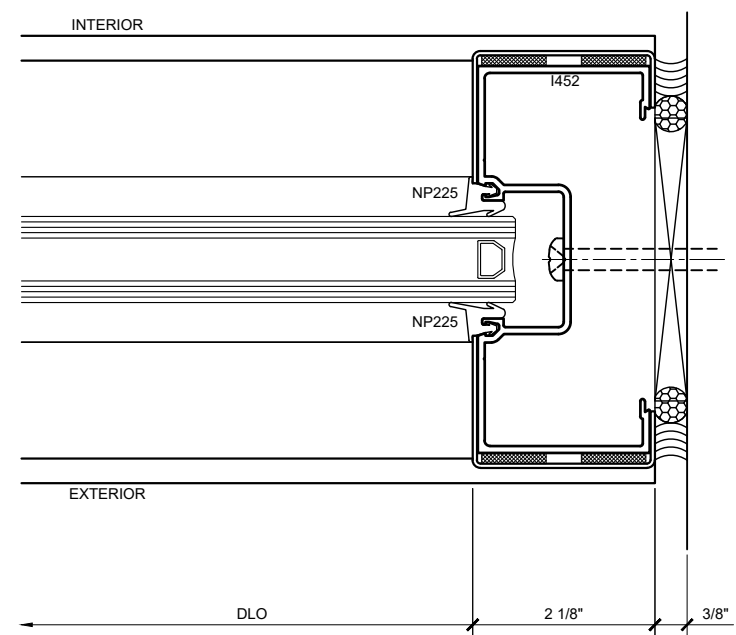
Description:
CRL BALANCER SERIES
BALANCED DOOR
U.S. ALUMINUM CLAD
ALL GLASS

Drawn By: TGM
Date: 11/15/18
Scale: AS NOTED
File Name:
BS BD - U.S. ALUM CLAD ALL GLASS.dwg
Sheet

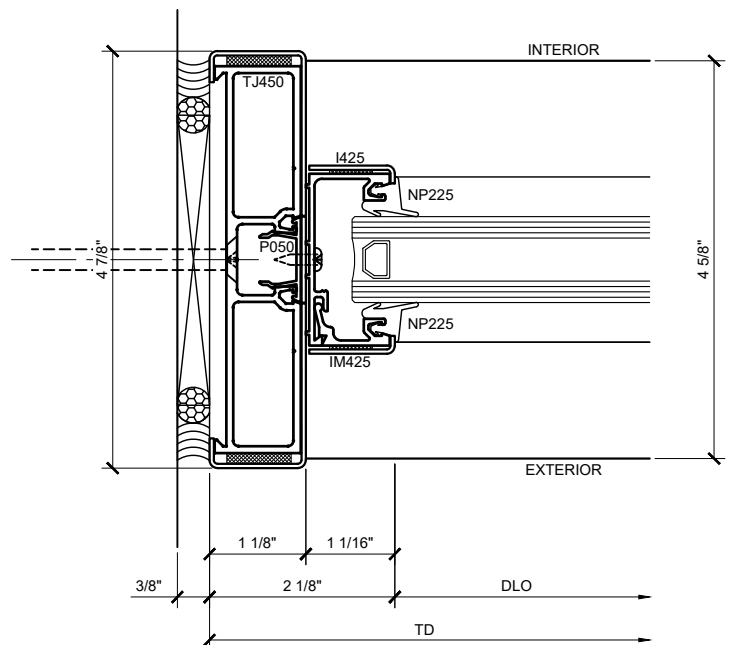
1.02



4A DOOR PIVOT JAMB SIDELITE DETAIL
ARCH REF: N/A 1'-0"=1'-0"

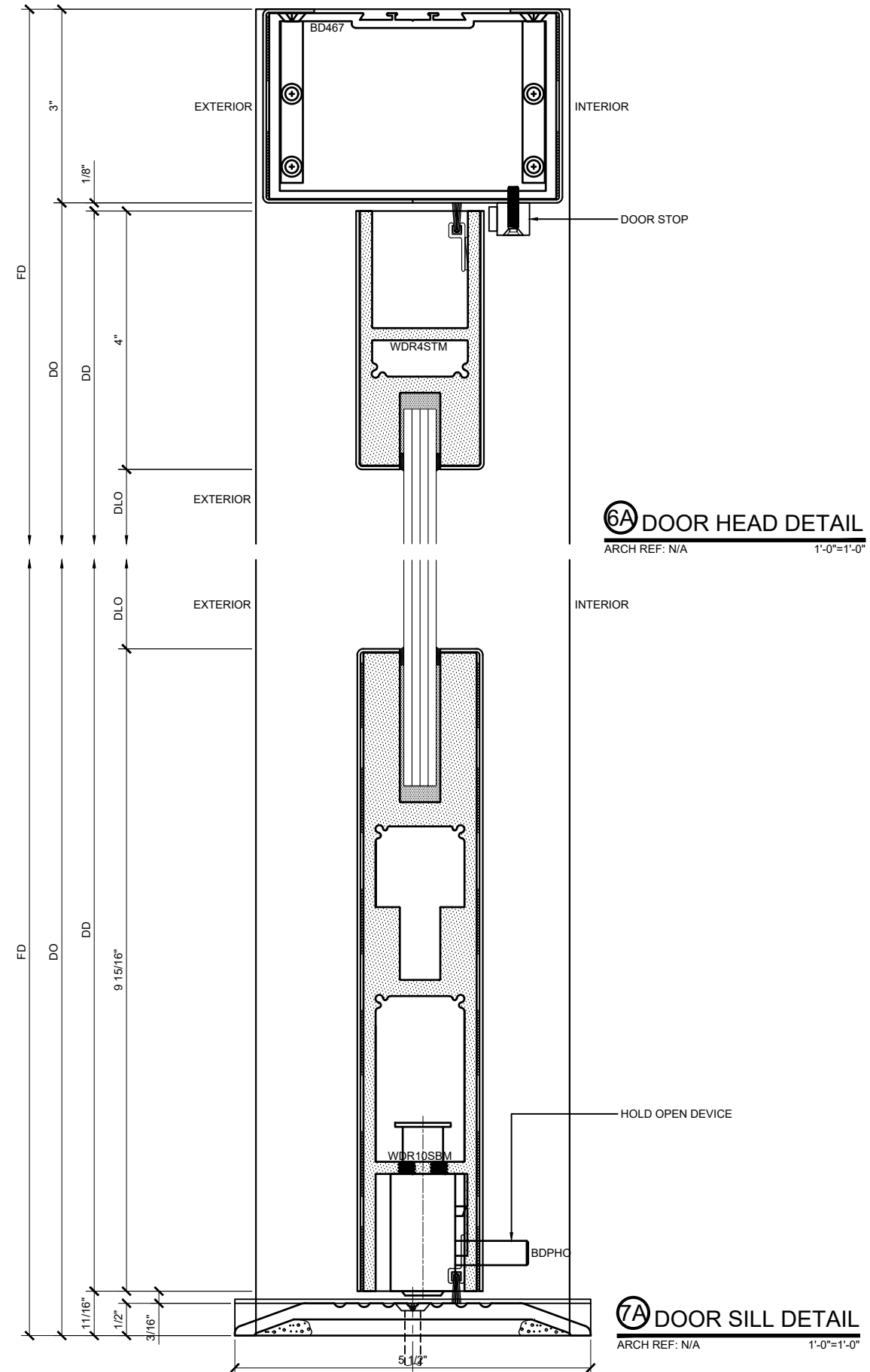
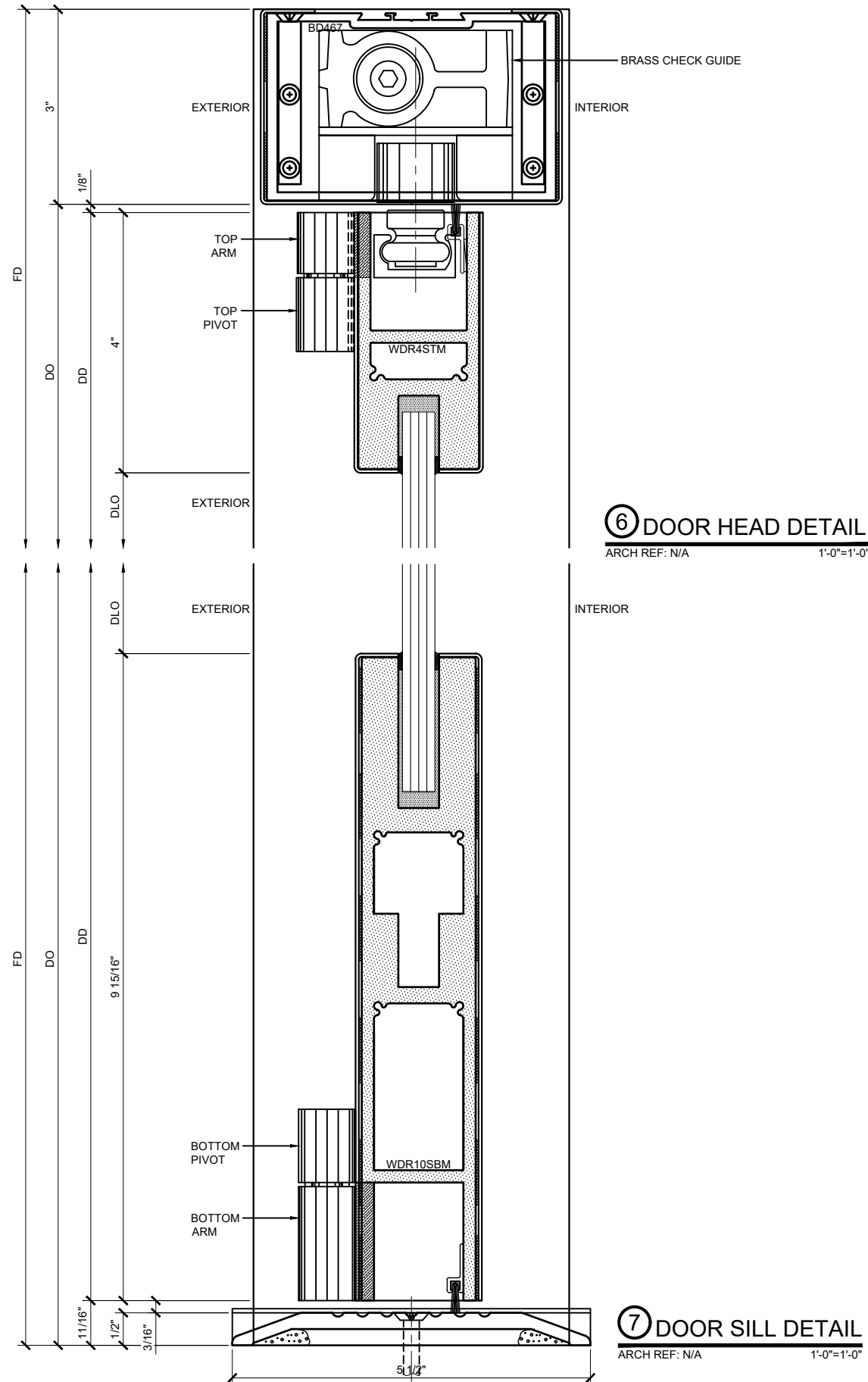


3A JAMB DETAIL
ARCH REF: N/A 1'-0"=1'-0"



5 TRANSOM DETAIL
ARCH REF: N/A 1'-0"=1'-0"

BALANCER SERIES ALUMINUM CLAD ALL GLASS BALANCED DOORS DETAILS / 4-1/2" JAMB / EXPOSED SHAFT



BALANCER SERIES ALUMINUM CLAD ALL GLASS BALANCED DOORS DETAILS / 4-1/2" JAMB / EXPOSED SHAFT

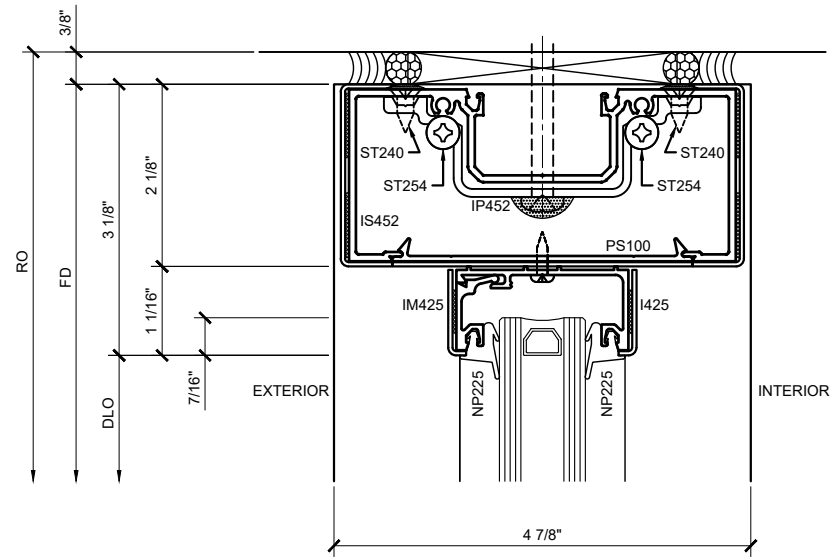
Revisions By:



2503 E. Vernon Avenue, Los Angeles, CA 90059-1897
PH: (800)-421-6144 FX: 800-587-7501 www.crlaurence.com

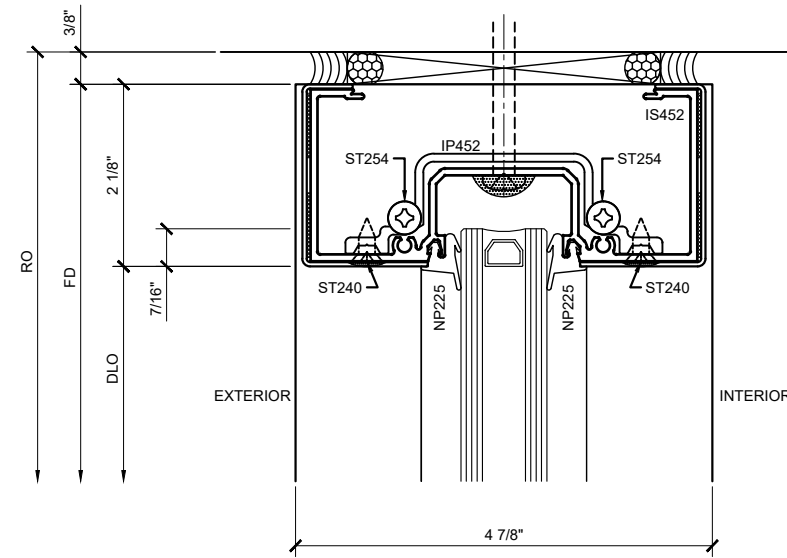
Description:
CRL BALANCER SERIES
BALANCED DOOR
U.S. ALUMINUM CLAD
ALL GLASS

Drawn By:	TGM
Date:	11/15/18
Scale:	AS NOTED
File Name:	BS BD - U.S. ALUM CLAD ALL GLASS.dwg
Sheet	



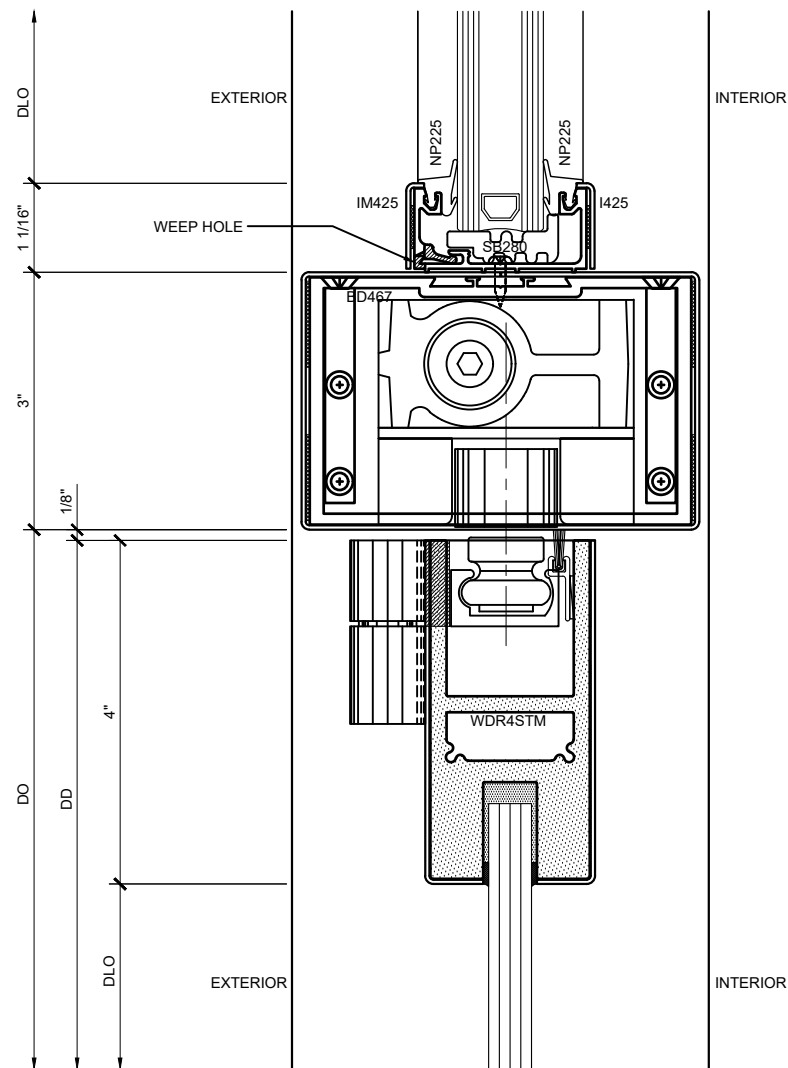
⑧ HEAD DETAIL

ARCH REF: N/A 1'-0"=1'-0"



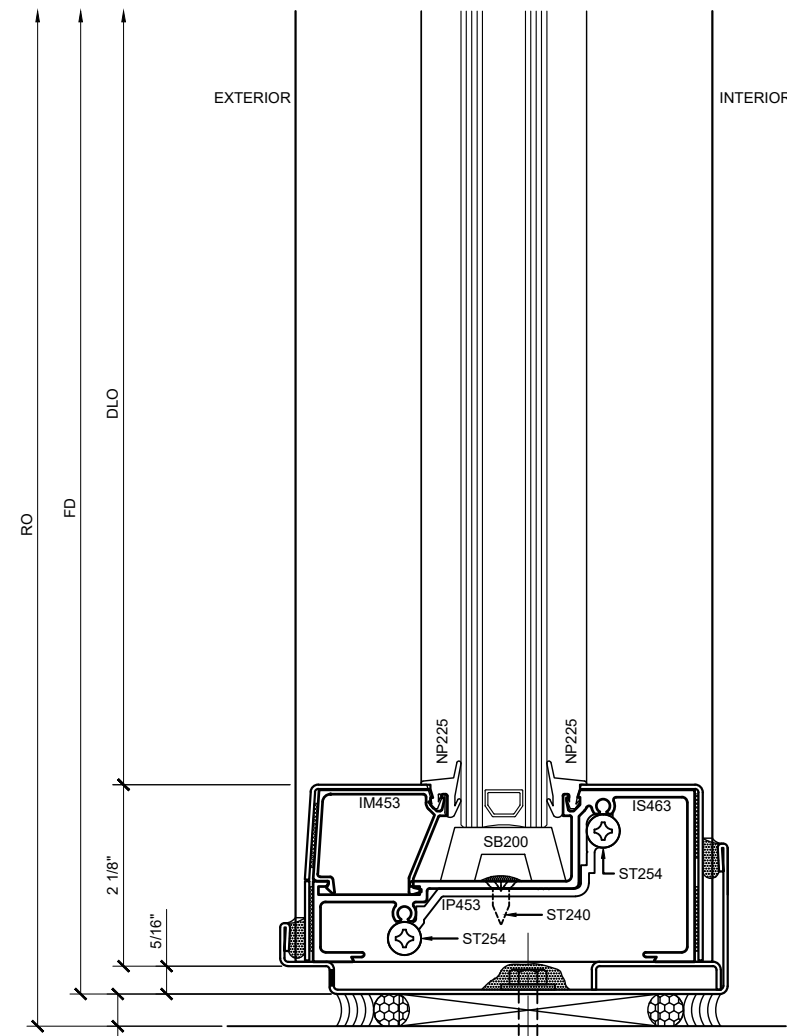
⑩ HEAD DETAIL

ARCH REF: N/A 1'-0"=1'-0"



⑨ DOOR HEAD DETAIL AT TRANSOM

ARCH REF: N/A 1'-0"=1'-0"



⑪ SILL DETAIL AT SIDELITE

ARCH REF: N/A 1'-0"=1'-0"

Revisions By:

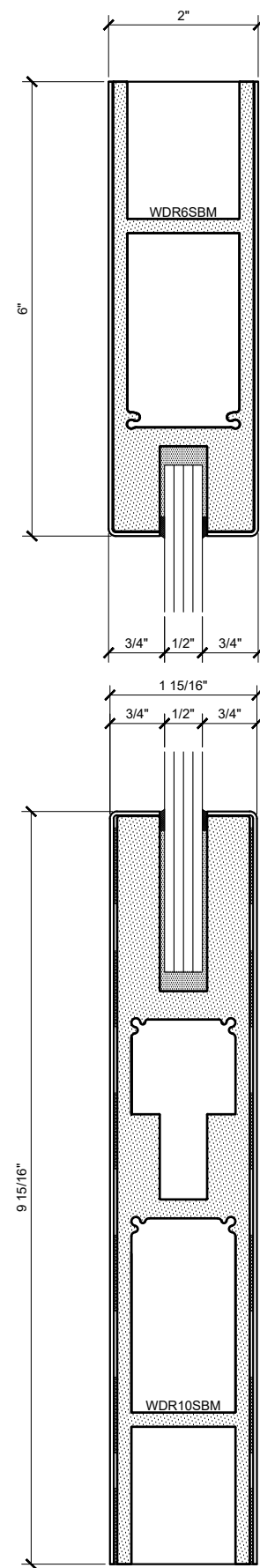
CRL

2503 E. Vernon Avenue, Los Angeles, CA 90058-1887
 PH: (800)-421-6144 FX: 800-587-7501 www.crlaurence.com

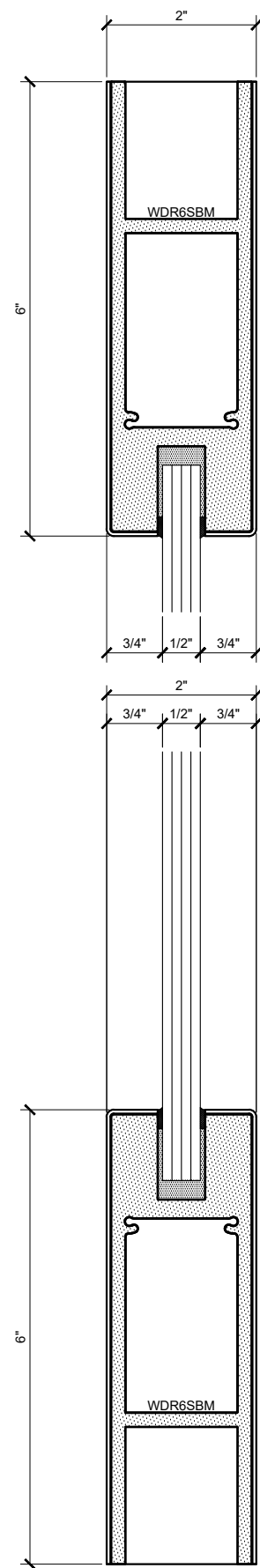
Description:
 CRL BALANCER SERIES
 BALANCED DOOR
 U.S. ALUMINUM CLAD
 ALL GLASS

Drawn By: TGM
 Date: 11/15/18
 Scale: AS NOTED
 File Name:
 BS BD - U.S. ALUM CLAD ALL GLASS.dwg
 Sheet

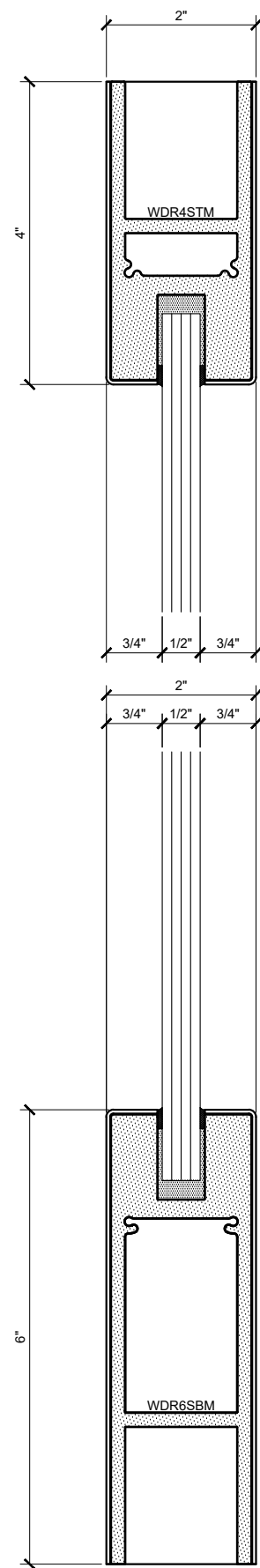
BALANCER SERIES ALUMINUM CLAD ALL GLASS BALANCED DOORS DETAILS / 4-1/2" JAMB / EXPOSED SHAFT



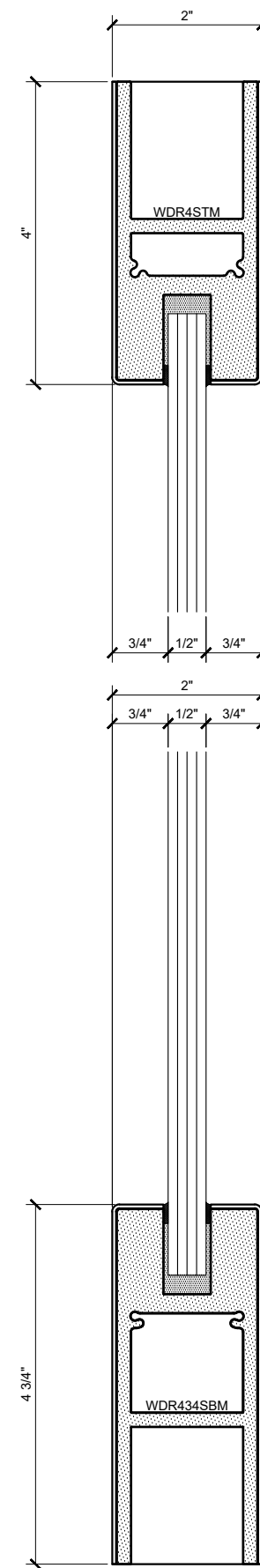
OPTION 1



OPTION 2



OPTION 3



OPTION 4

STANDARD RAILS - GLASS OPTIONS: 3/4", 9/16", 1/2", THICK GLASS (SHOWN WITH 1/2" THICK GLASS)

Revisions By:

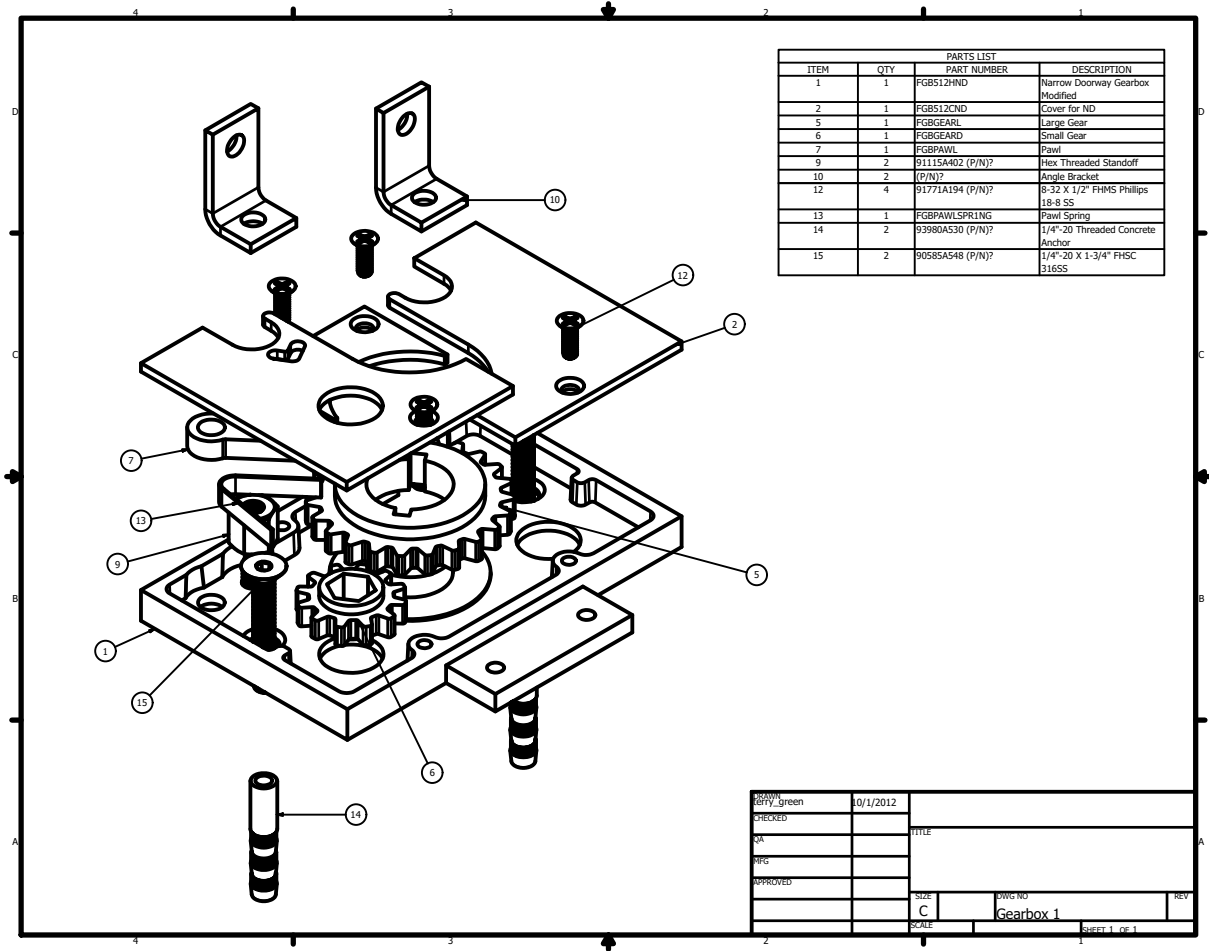
CRL

2503 E. Vernon Avenue, Los Angeles, CA 90058-1887
 PH: (800)-421-6144 FX: 800-587-7501 www.crlaurence.com

Description:
 CRL BALANCER SERIES
 BALANCED DOOR
 U.S. ALUMINUM CLAD
 ALL GLASS

Drawn By: TGM
 Date: 11/15/18
 Scale: AS NOTED
 File Name:
 BS BD - U.S. ALUM CLAD ALL GLASS.dwg
 Sheet

1.05



PARTS LIST			
ITEM	QTY	PART NUMBER	DESCRIPTION
1	1	FGBS12HND	Narrow Doorway Gearbox Modified
2	1	FGBS12CND	Cover for ND
5	1	FGBGEARL	Large Gear
6	1	FGBGEAR	Small Gear
7	1	FGBPawl	Pawl
9	2	B1115A402 (P/N)?	Hex Threaded Standoff
10	2	(P/N)?	Angle Bracket
12	4	91771A194 (P/N)?	8-32 X 1/2" FxMS Phillips 18-8 SS
13	1	FGBPawlSPRING	Pawl Spring
14	2	93980A530 (P/N)?	1/4"-20 Threaded Concrete Anchor
15	2	90585A548 (P/N)?	1/4"-20 X 1-3/4" FMSC 316SS

DESIGN	10/11/2012		
CHECKED		TITLE	
QA			
REC			
APPROVED		SIZE	DATE
		C	11/15/18
		SCALE	AS NOTED

Revisions By:

CRL

2503 E. Vernon Avenue, Los Angeles, CA 90058-1887
 PH: (800) 421-6144 FX: 800-587-7501 www.crlaurence.com

Description:
 CRL BALANCER SERIES
 BALANCED DOOR
 U.S. ALUMINUM CLAD
 ALL GLASS

Drawn By: TGM
 Date: 11/15/18
 Scale: AS NOTED
 File Name: BS BD - U.S. ALUM CLAD ALL GLASS.dwg

Sheet
 2.01