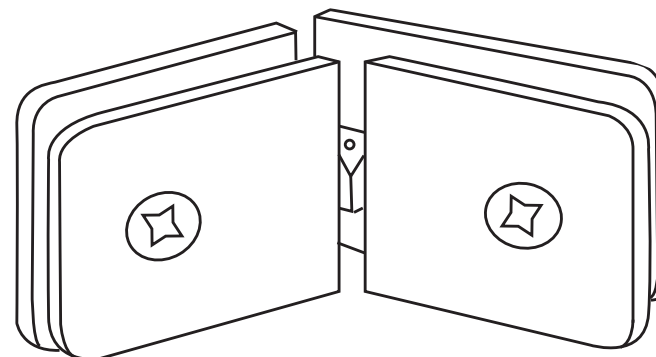


FRONT VIEW



REAR VIEW

## GLASS CLAMPS

Glass-to-Glass 135° Moveable Transom Clamp

CAT. NO. GCB335

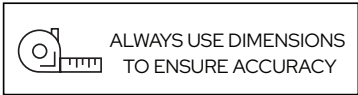
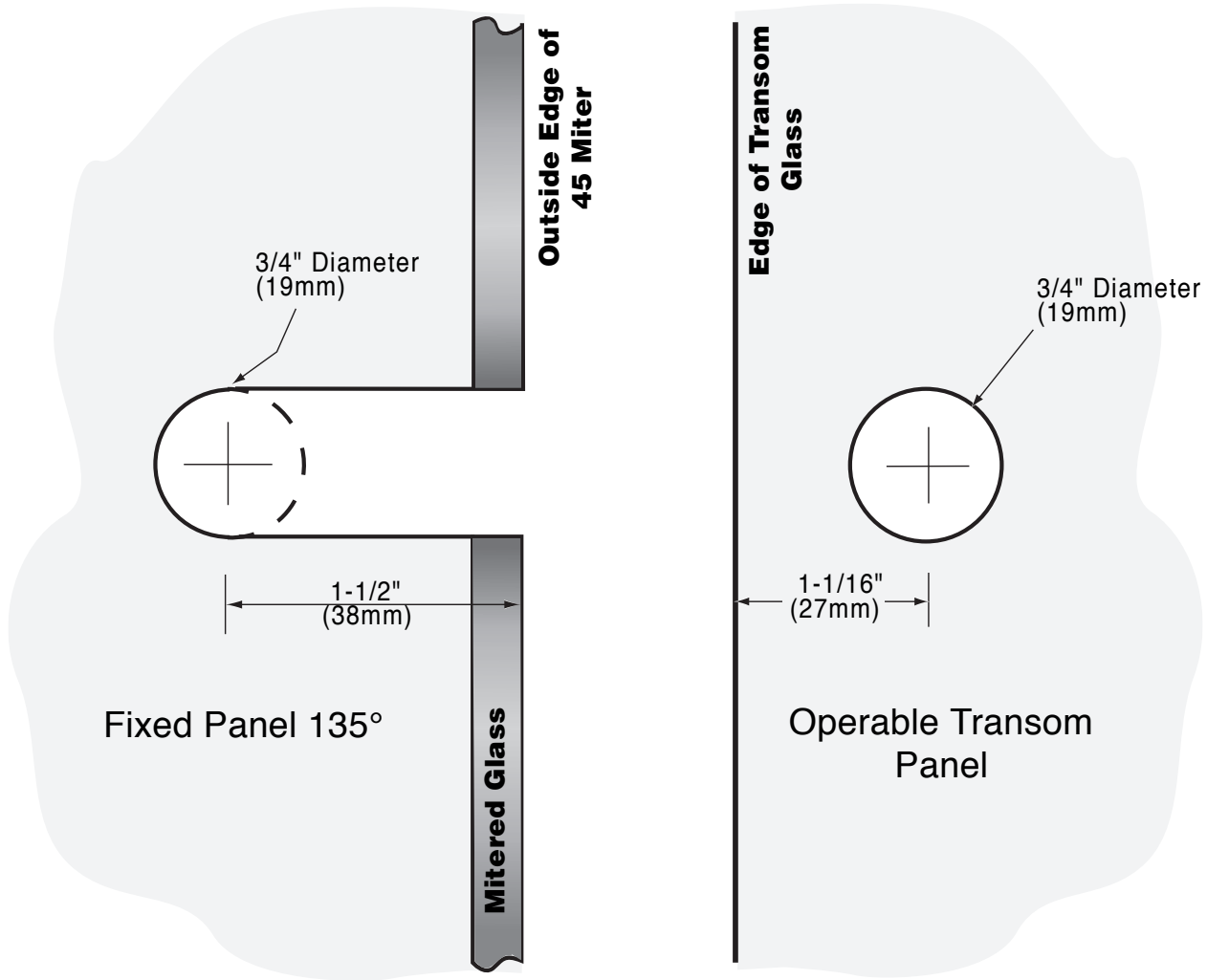
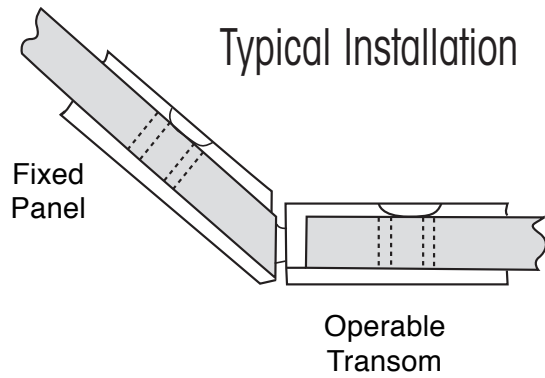
**\*NOTE:** Do not exceed either maximum weight or width when choosing proper quantity of hinges.

### Specifications:

Material:	Solid Brass
Glass Thickness Range:	5/16" (8mm) to 1/2" (12mm)
Template Required:	3/4" (19mm) Hole for transom, notch for fixed panel
Includes:	Gaskets, screws and template

**Template Shown on Next Page**

**IMPORTANT:** Project Dimensions from outside edge of 45° Miter



## GLASS CLAMPS

Glass-to-Glass 135° Moveable Transom Clamp

CAT. NO. GCB335