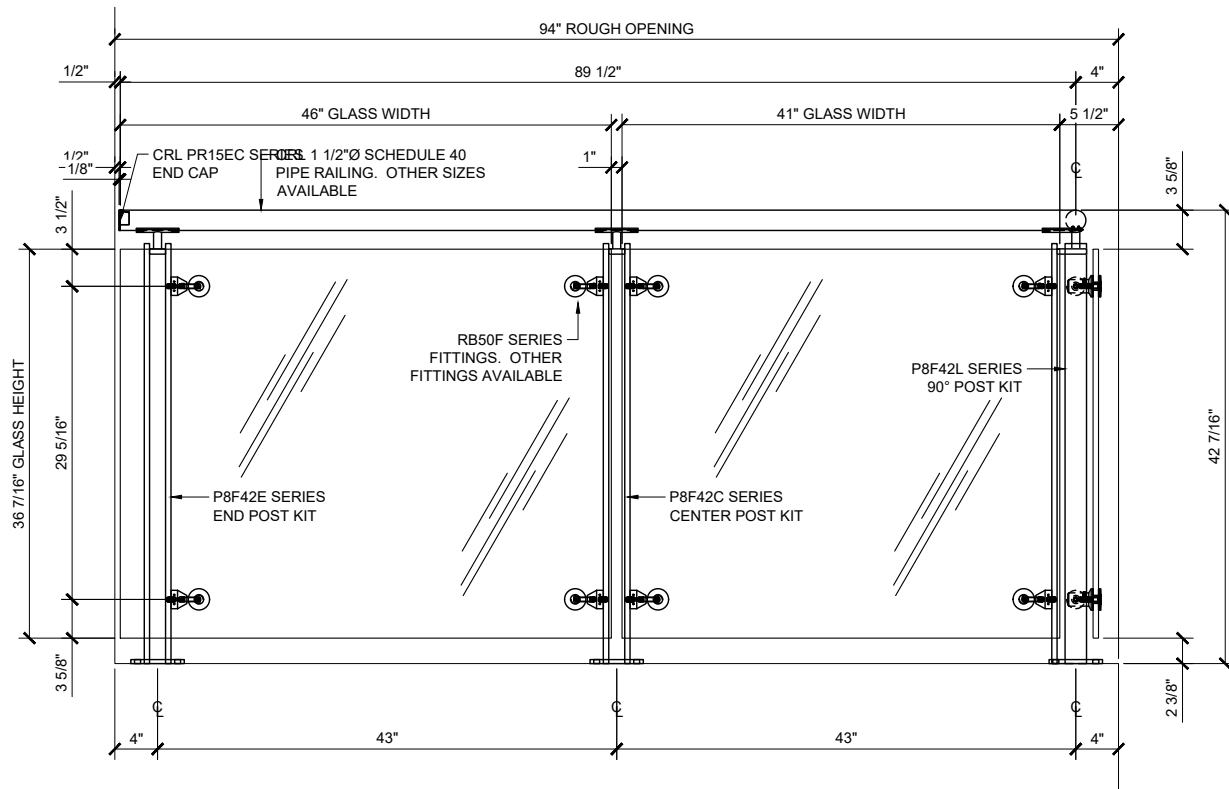
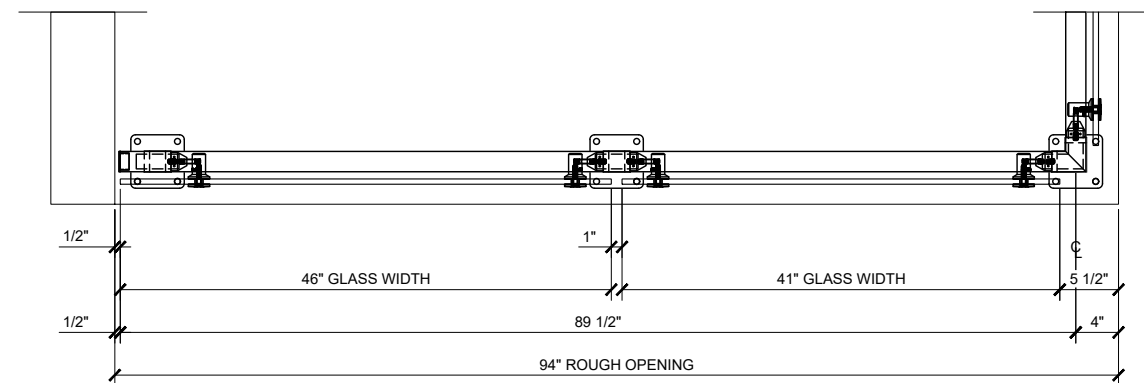


CRL P8 SERIES POST RAILING SYSTEM

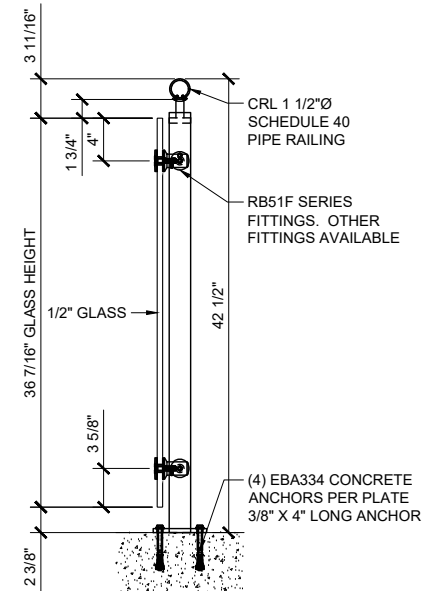
- * DESIGNED TO ACCEPT 1/2" TO 27/32" TEMPERED GLASS
- * TOP SADDLE SUPPORTS 1 1/4"Ø (1.66" O.D.) & 1 1/2"Ø (1.90" O.D.) SCHEDULE 40 PIPE RAILING AND 1 1/2"Ø O.D. TUBE RAILING
- * 36" AND 42" STANDARD POST HEIGHTS WITH CUSTOM HEIGHTS AVAILABLE
- * TWO STANDARD STAINLESS STEEL FINISHES WITH CUSTOM POWDER PAINT FINISHES ALSO AVAILABLE



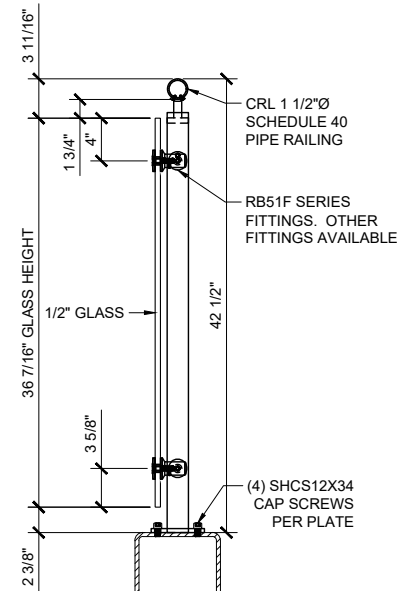
TYPICAL ELEVATION
1 1/2"=1'-0"



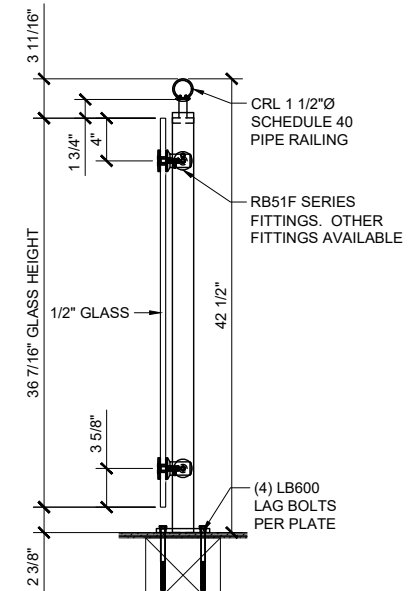
TYPICAL PLAN VIEW
1 1/2"=1'-0"



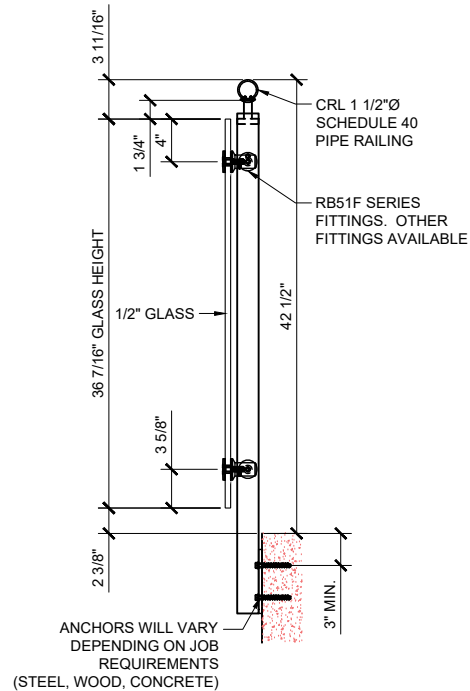
CONCRETE MOUNT
1 1/2"=1'-0"



STEEL MOUNT
1 1/2"=1'-0"

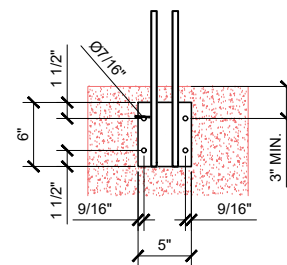


WOOD MOUNT
1 1/2"=1'-0"



ANCHORS WILL VARY DEPENDING ON JOB REQUIREMENTS (STEEL, WOOD, CONCRETE)

FASCIA MOUNT
1 1/2"=1'-0"



Revisions By:

CRL.

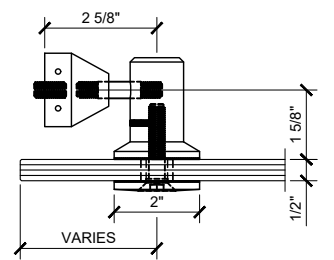
2503 E. Vernon Avenue, Los Angeles, CA 90058-1897
PH (800)-421-6144 FX: 800-587-7501 www.crlra.com

Description:
CRL P8 SERIES
POST RAILING SYSTEMS
SYS0071H

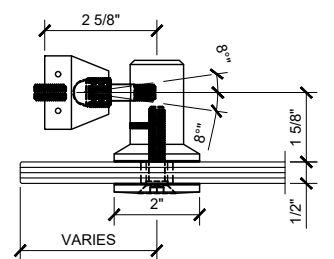
Drawn By: SDH
Date: 03/08/2017
Scale: AS NOTED
File Name:
SYS0071H P8 Series Stainless Steel Post Railing System

Sheet

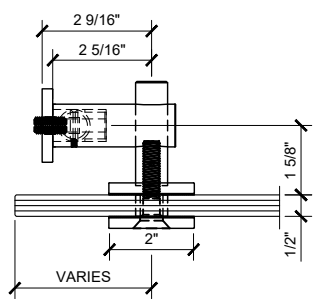
1.01



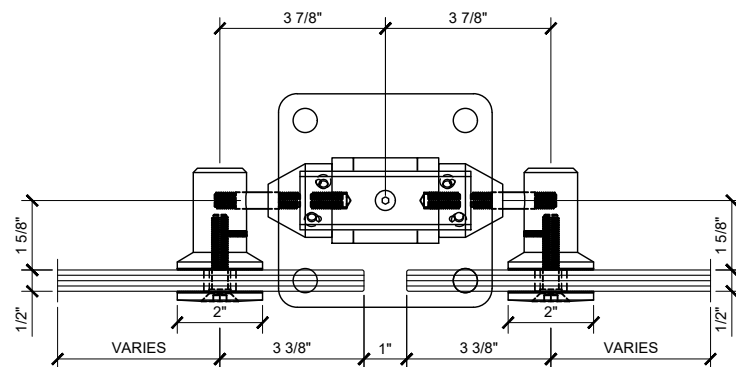
RB50F FIXED FITTING
TOP VIEW 6"=1'-0"



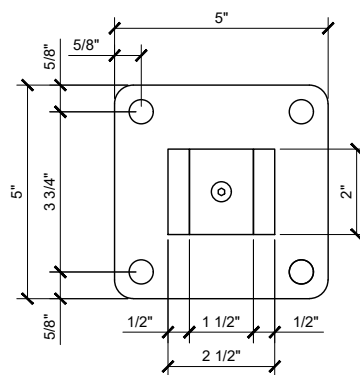
RB50S SWIVEL FITTING
TOP VIEW 6"=1'-0"



RB51F FIXED FITTING
TOP VIEW 6"=1'-0"



RB50F FIXED FITTING W/FLANGE
TOP VIEW 6"=1'-0"



P8 FLANGE
TOP VIEW 6"=1'-0"

Revisions By:

CRL.

2503 E. Verron Avenue, Los Angeles, CA 90058-1897
PH: (800)-421-6144 FX: 800-557-7501 www.crlaurence.com

Description:
CRL P8 SERIES
POST RAILING SYSTEMS
SYS0071H

Drawn By: SDH
Date: 03/08/2017
Scale: AS NOTED
File Name:
SYS0071H P8 Series Stainless Steel Post Railing System

Sheet

2.01