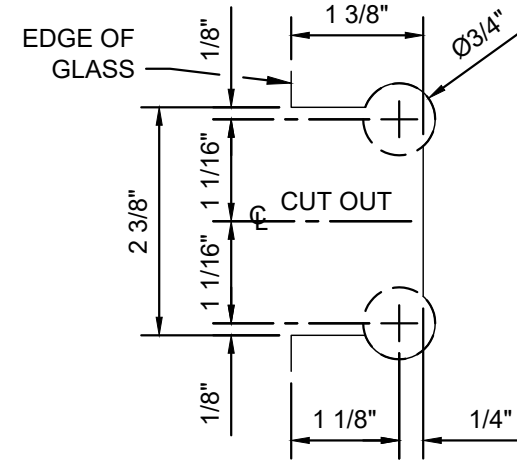
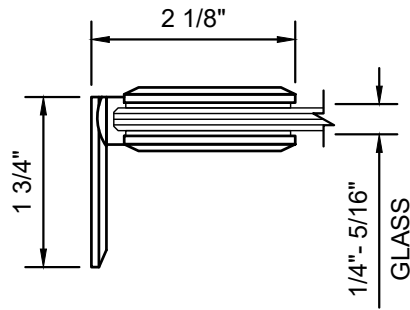


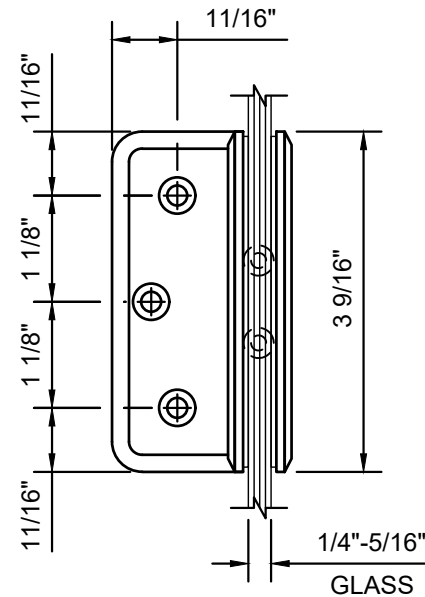
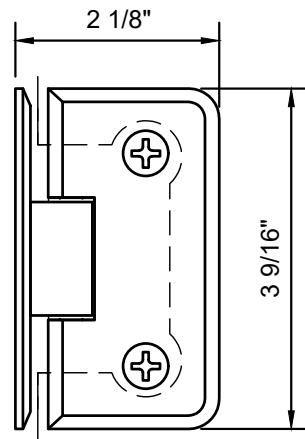
USE OF GASKETS

FOR 1/4" (6mm) GLASS: USE ONE THICK GASKET ON EACH SIDE

FOR 5/16" (8mm) GLASS: USE ONE THIN GASKET ON EACH SIDE



GLASS FABRICATION TEMPLATE



CATALOG NUMBER	FINISH
PET044CH	POLISHED CHROME
PET044BR	POLISHED BRASS
PET0440RB	OIL RUBBED BRONZE
PET044BN	BRUSHED NICKEL
PET044GP	GOLD PLATE
PET044PN	POLISHED NICKEL
PET044SC	SATIN CHROME
PET044WC	WHITE W/ CHROME ACCENT

PET044XX - CRL PETITE SERIES WALL MOUNT OFFSET BACK PLATE HINGE

DATE: 3/5/19
SCALE: 6"=1'-0"
DRAWN BY: VM

DESCRIPTION: CRL PETITE SERIES HINGE
PET044_ WALL MOUNT OFFSET BACK PLATE

C.R. LAURENCE CO. ARCHITECTURAL PRODUCTS
2503 E. Vernon Avenue, Los Angeles, CA 90058-1897
PH (800)-421-6144 FX: 800-587-7501 www.crlaurence.com

