

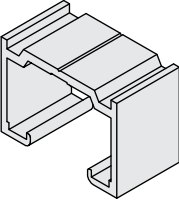
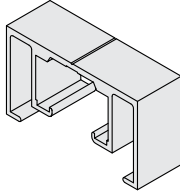
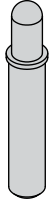
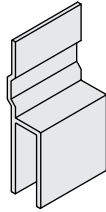
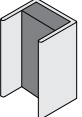
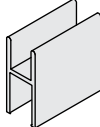
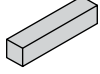
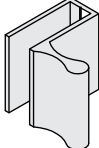
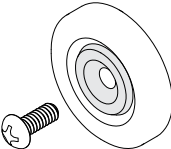
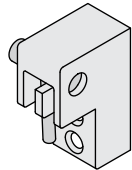
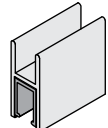
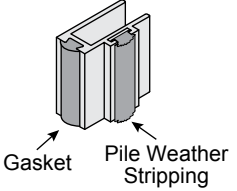
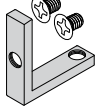
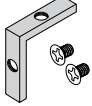
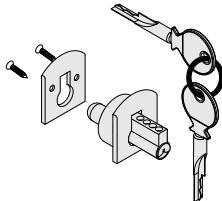



FLORENCE MODEL PASS-THRU (NO SCREEN) MODELS D1038 AND D1039



PARTS LIST

NOTE: Counter by Others

<p>D1038</p>  <p>Florence with D7 Overhead Track (No Screen)</p>		<p>D1039</p>  <p>Florence with D1670 Overhead Track (No Screen)</p>	
<p>D7</p>  <p>Overhead Track (D1038 Models)</p>	<p>D1670</p>  <p>Oversized Overhead Track (D1039 Models)</p>	<p>D35</p>  <p>Retractable Tip Lower Guide</p>	<p>D40</p>  <p>Front Hanger</p>
<p>D606</p>  <p>Single Jamb with Cushion</p>	<p>D610</p>  <p>H-Bar</p>	<p>D637</p>  <p>Mill Bar Stock</p>	<p>D639</p>  <p>Vertical Stile Pull</p>
<p>D679</p>  <p>Nylon Ball Bearing Roller</p>	<p>D53</p>  <p>Reversible Overhead Catch</p>	<p>D1611</p>  <p>H-Bar with Plastic Liner</p>	<p>D1623</p>  <p>Overlap Stile with Pile and Gasket</p>
<p>D658WS</p>  <p>Lower Frame Corner with Nylok Screws</p>	<p>D662WS</p>  <p>Upper Frame Corner with Nylok Screws</p>	 <p>Optional Keyed Lock</p>	 <p>Not Included : Fasteners for Perimeter Frame</p>

ORDER OF ASSEMBLY AND INSTALLATION

PARTS LIST	2
SPECIFICATIONS	3
GLASS FABRICATION	4
GLASS PREPARATION	4
SLIDING WINDOW ASSEMBLY	5
Fit Top Rail on Glass and Loosely Attach Side Rails	5
Loosely Attach Bottom Rail to Side Rails	5
Square Frame and Secure	5
FIXED WINDOW ASSEMBLY	6
INSTALLATION	7 - 10
Install Overhead Track	7
Hang Sliding Window	7
Install Retractable Guides	8
Install Jambs	8
Install Fixed Window	9
Install D53 Catch	10
OPTIONAL KEYED LOCK OPERATION	11

IMPORTANT: READ THIS MANUAL THOROUGHLY BEFORE BEGINNING INSTALLATION.

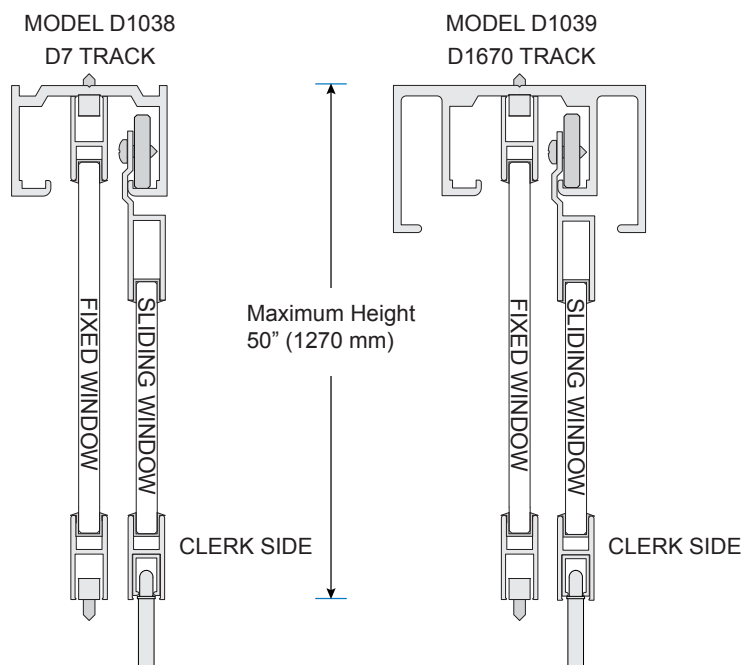
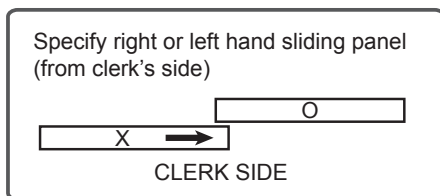
Skip to page 7 for installation of stock D1038:
36" W X 48" H frame size and 48" W X 48" H frame size

Contact the CRL Transaction Hardware Department at (800) 421-6144 EXT. 17760 or email transaction@crlaurence.com for questions.

SPECIFICATIONS

Model D1038 is shown in these instructions.

NOTE: Model D1039 is designed to match storefront subframe.



GLASS FABRICATION

Fixed Glass Width = Window Width divided by 2 minus 1-1/16" (29 mm)

Fixed Glass Height = Window Height minus 1-3/4" (45 mm)

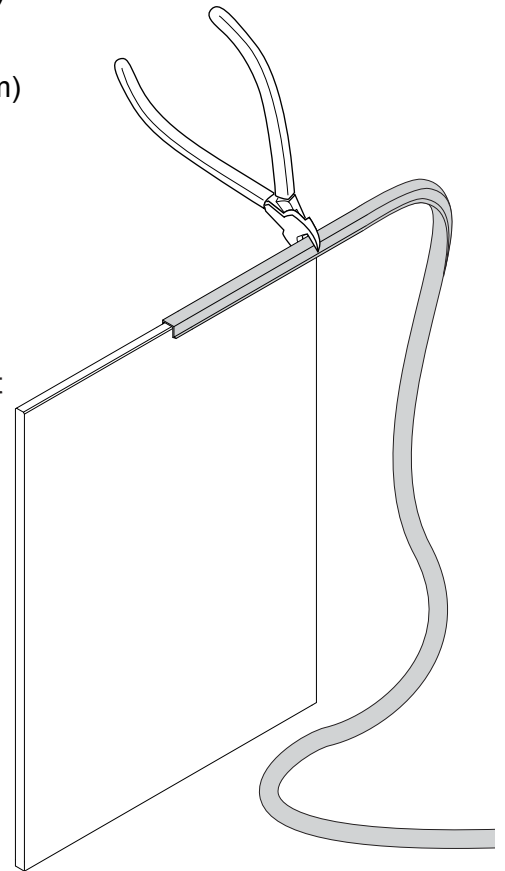
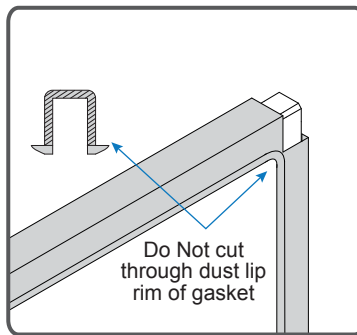
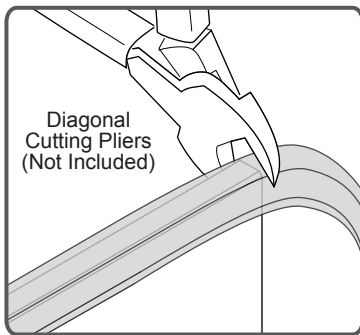
Sliding Glass Width = Window Width divided by 2 minus 1-5/16" (33 mm)

Sliding Glass Height = Window Height minus 3-1/4" (83 mm)

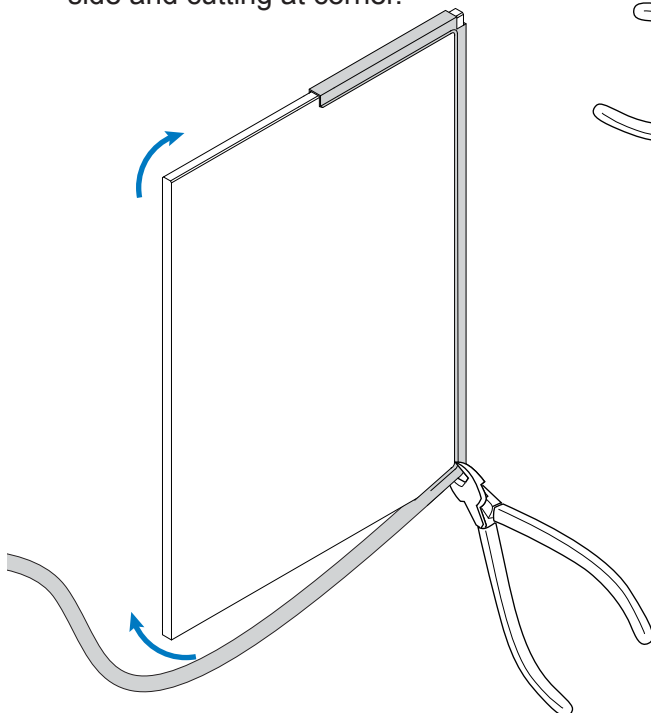
GLASS PREPARATION

Install Gasket on Glass

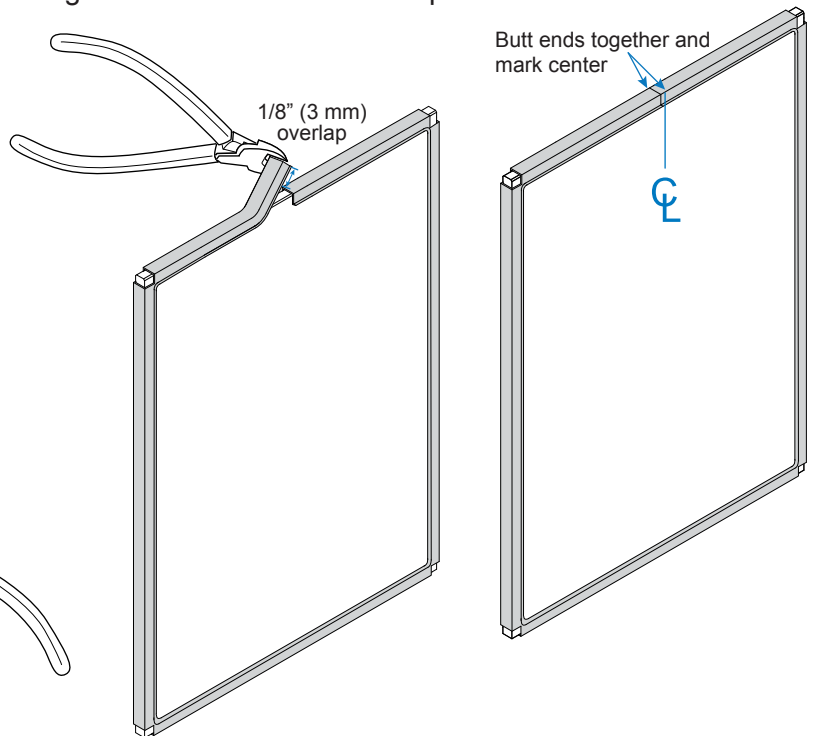
- Ⓐ Fit gasket onto glass at center of the side that will become the top. Smooth to corner and cut a slit through the base of gasket. Do Not cut all the way through to dust lip rims.



- Ⓑ Continue working gasket around edges, smoothing along each side and cutting at corner.

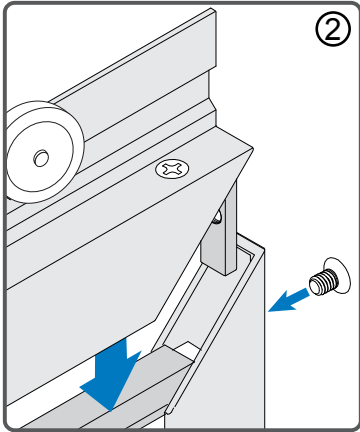


- Ⓒ Overlap ends at top and cut 1/8" (3 mm) excess. Butt ends together. Mark center of each panel.

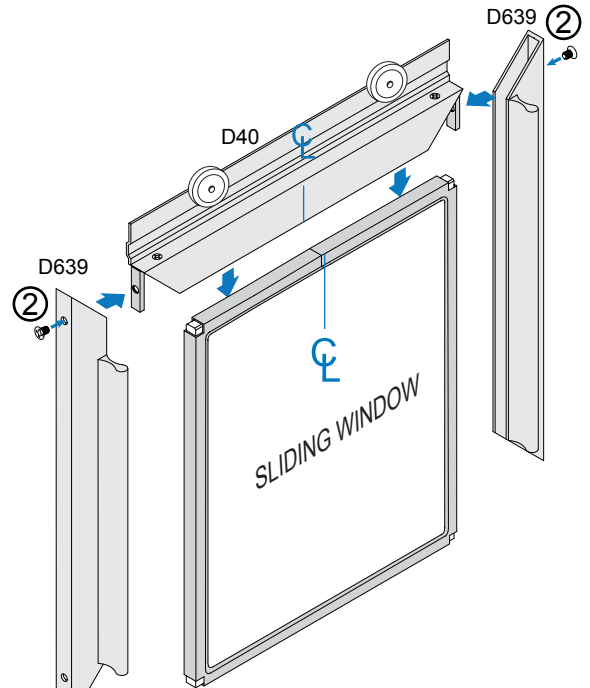


SLIDING WINDOW ASSEMBLY

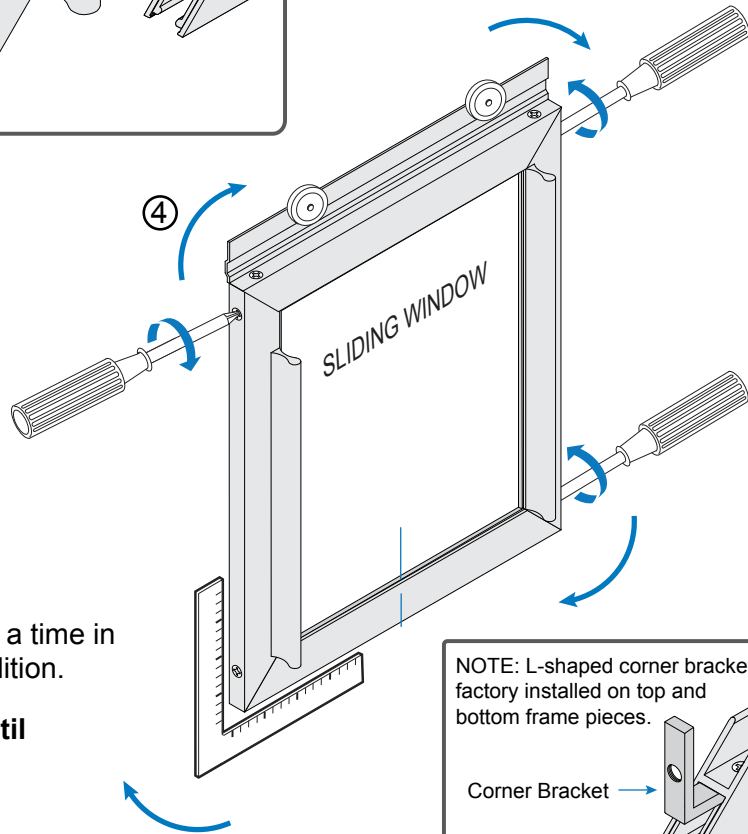
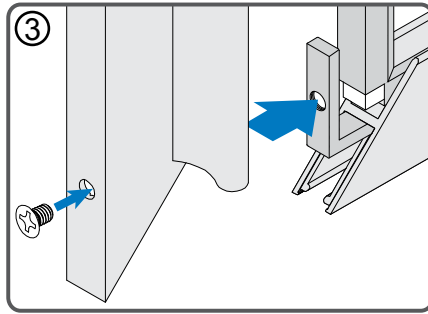
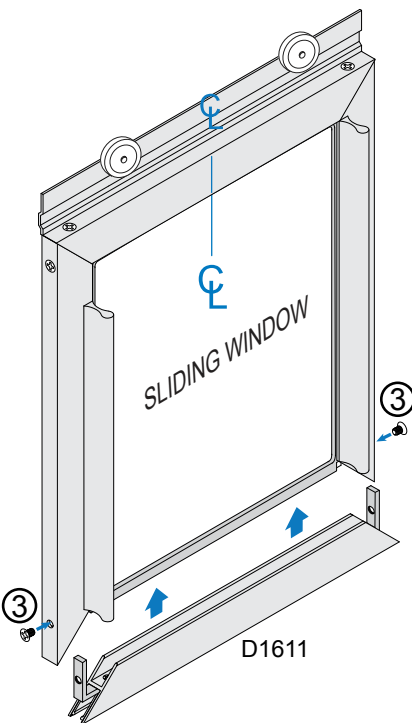
1. Install Gasket on Glass (See Page 4)
2. Fit Top Rail on Glass and Loosely Attach Side Rails



NOTE: Match the color-coded dots on the corners of the rails.



3. Loosely Attach Bottom Rail to Side Rails

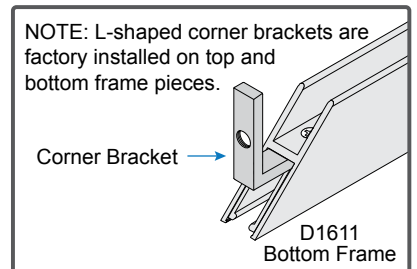


4. Square Frame and Secure

IMPORTANT: Tighten each corner a little at a time in rotating sequence, maintaining square condition.

Do Not completely tighten any corner until all of the other three corners are almost completely tightened.

NOTE: Assemble one sliding window.

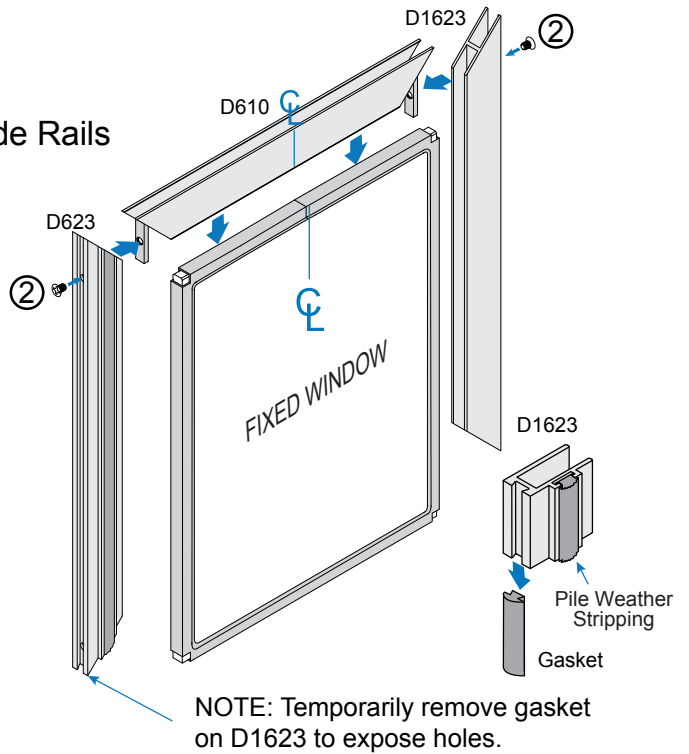
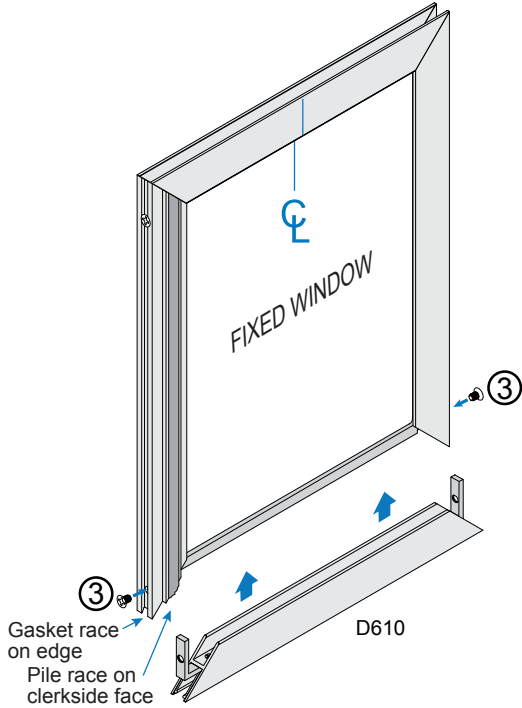


FIXED WINDOW ASSEMBLY

1. Install Gasket on Glass (See Page 4)
2. Fit Top Rail on Glass and Loosely Attach Side Rails

NOTE: Match the color-coded dots on the corners of the rails.

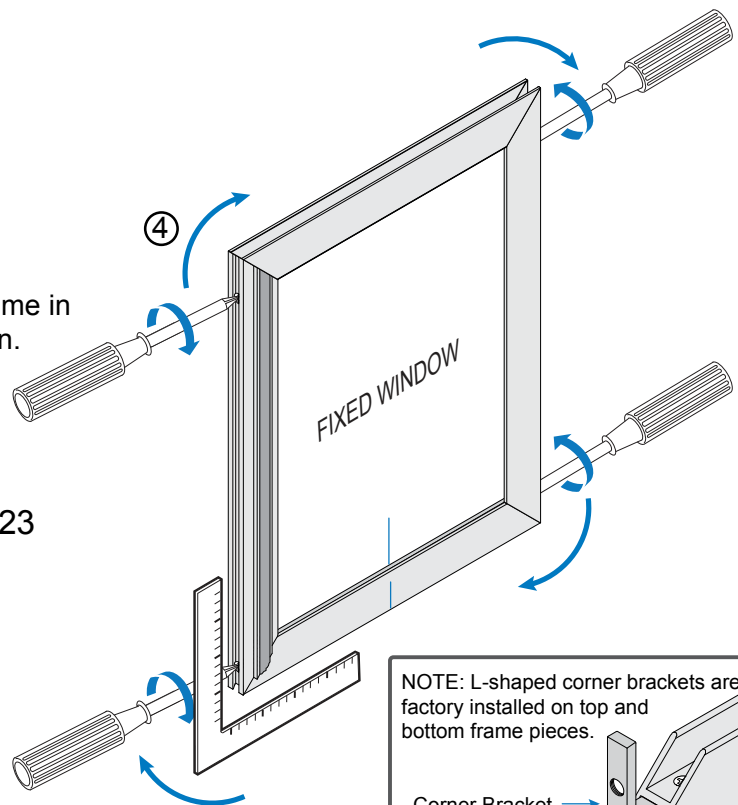
3. Loosely Attach Bottom Rail to Side Rails



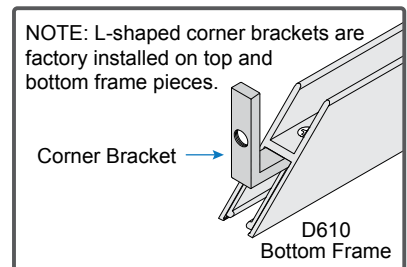
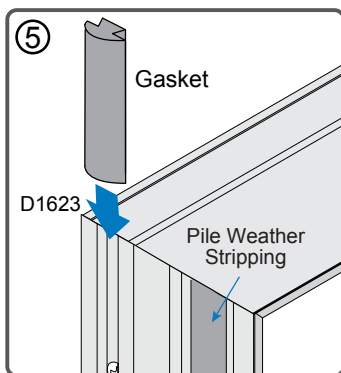
4. Square Frame and Secure

IMPORTANT: Tighten each corner a little at a time in rotating sequence, maintaining square condition.

Do Not completely tighten any corner until all of the other three corners are almost completely tightened.



5. Replace Gasket in outer edge of D1623



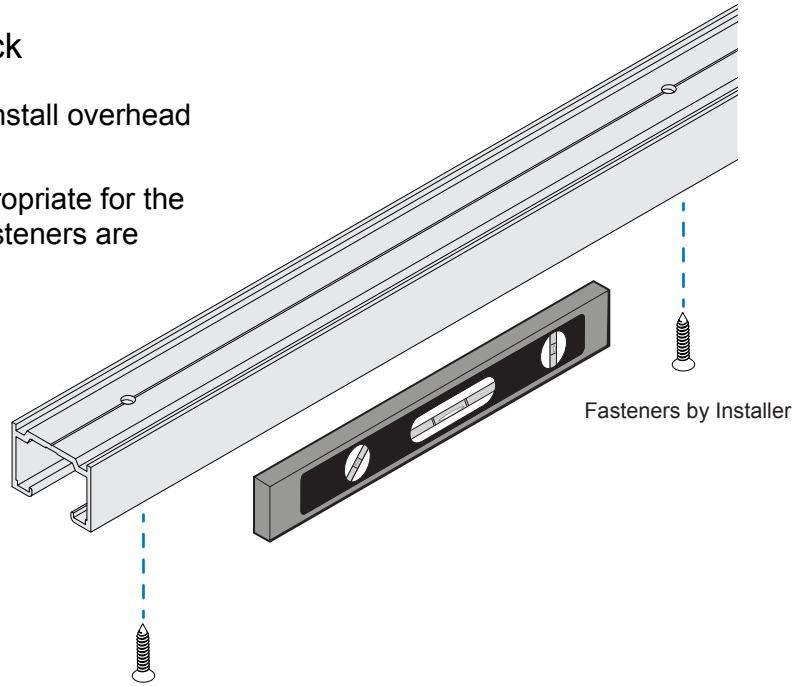
NOTE: Assemble one fixed window.

INSTALLATION

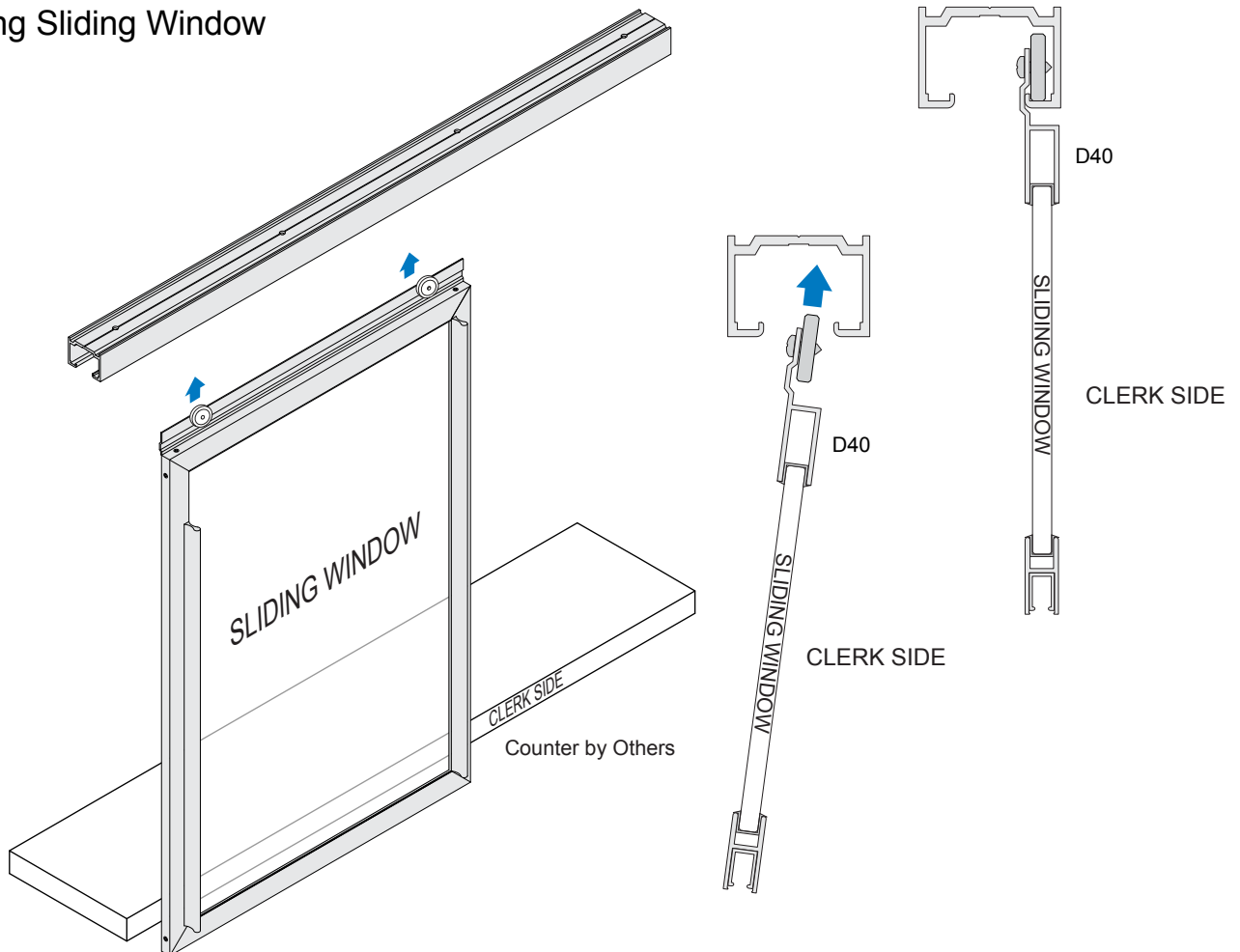
1. Install Overhead Track

Use a level and shims to install overhead track correctly in opening.

NOTE: Use fasteners appropriate for the surrounding substrate. Fasteners are not included in kit.

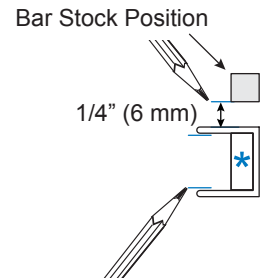
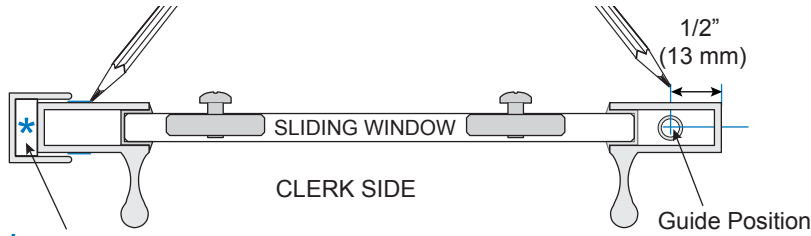


2. Hang Sliding Window



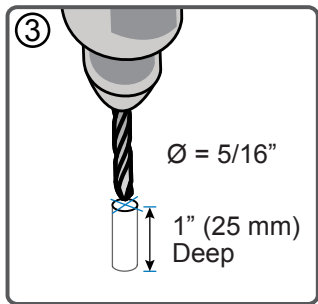
INSTALLATION (CONTINUED)

With the window in closed position, mark placement for retractable guide. Move the window to the open position to mark placement for the jambs and fixed window bar stock. Remove the sliding window before installing retractable guide, jambs, and bar stock.

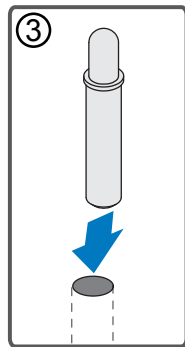


* Temporarily place Rubber Insert into Jamb to mark Guide placement. Remove to install Jamb. Do Not remove backing until Jambs are secured.

3. Install Retractable Guides

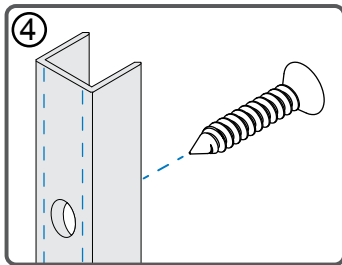


Drill 1" (25 mm) depth hole with 5/16" drill bit.

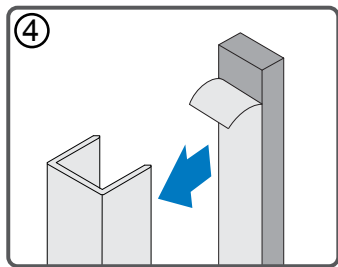


Insert guide in hole.

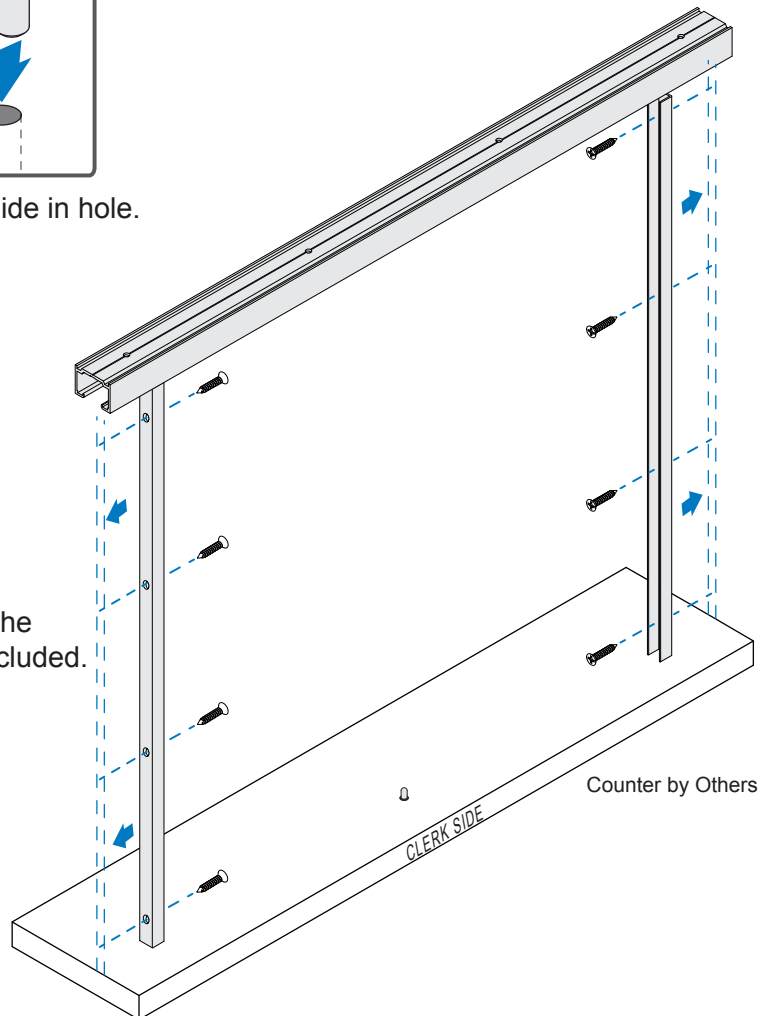
4. Install Jambs



Secure using fasteners appropriate for the surrounding substrate. Fasteners not included.



Remove backing and install rubber insert.

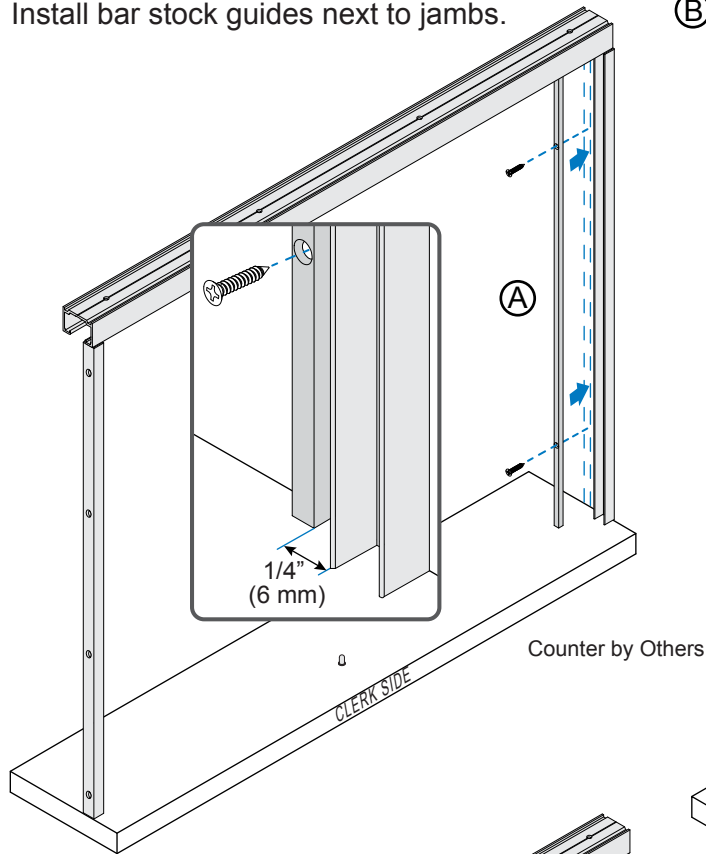


INSTALLATION (CONTINUED)

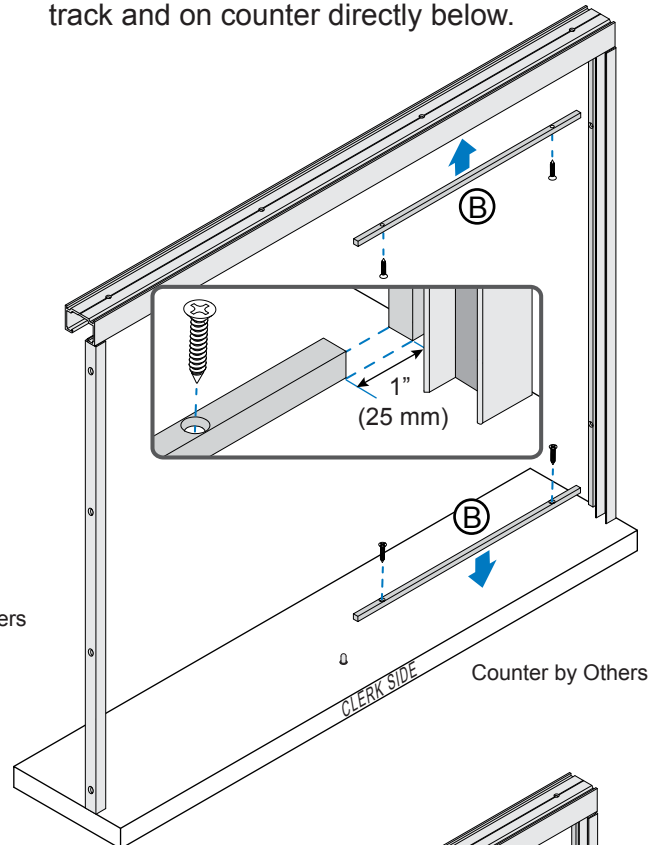
5. Install Fixed Window

NOTE: Use fasteners appropriate for the surrounding substrate. Fasteners not included.

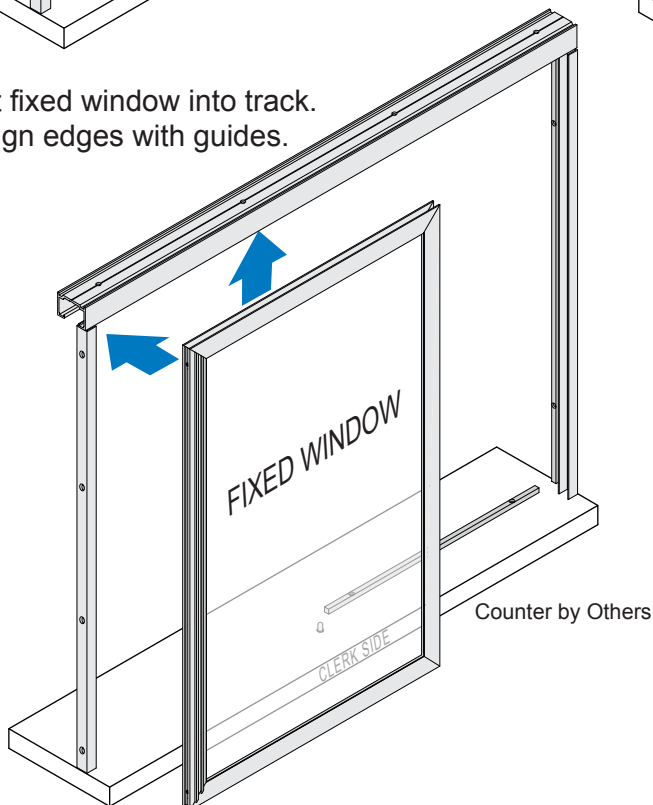
Ⓐ Install bar stock guides next to jambs.



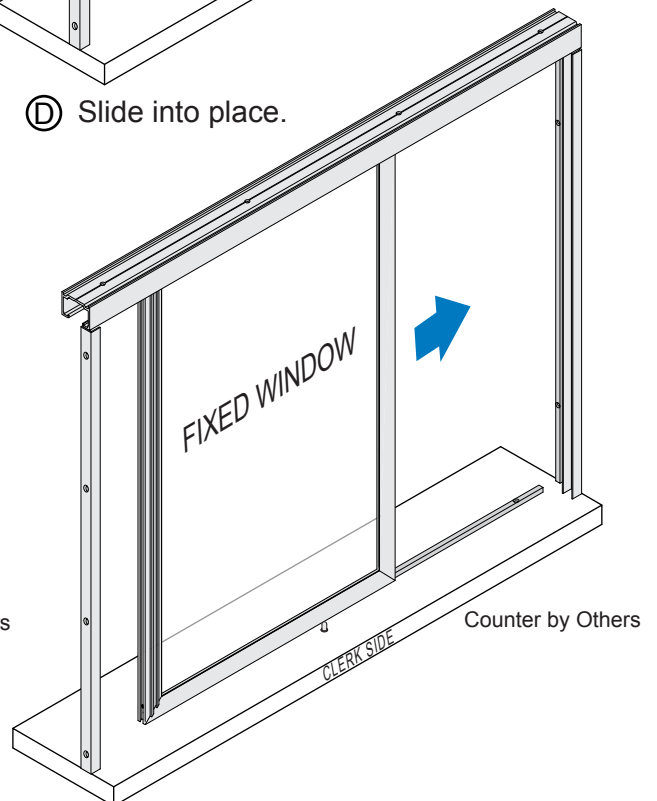
Ⓑ Install bar stock guides in groove in top track and on counter directly below.



Ⓒ Fit fixed window into track. Align edges with guides.

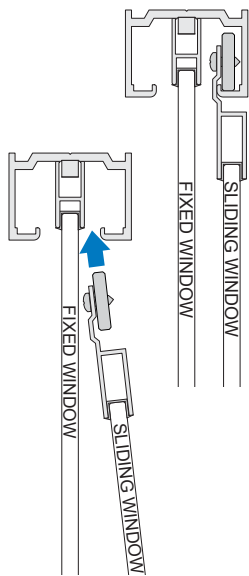


Ⓓ Slide into place.

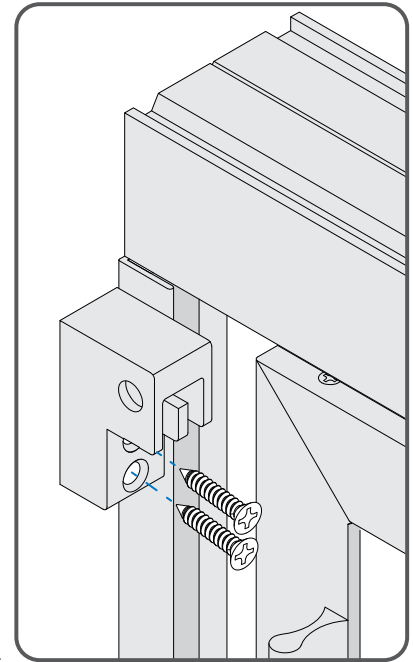
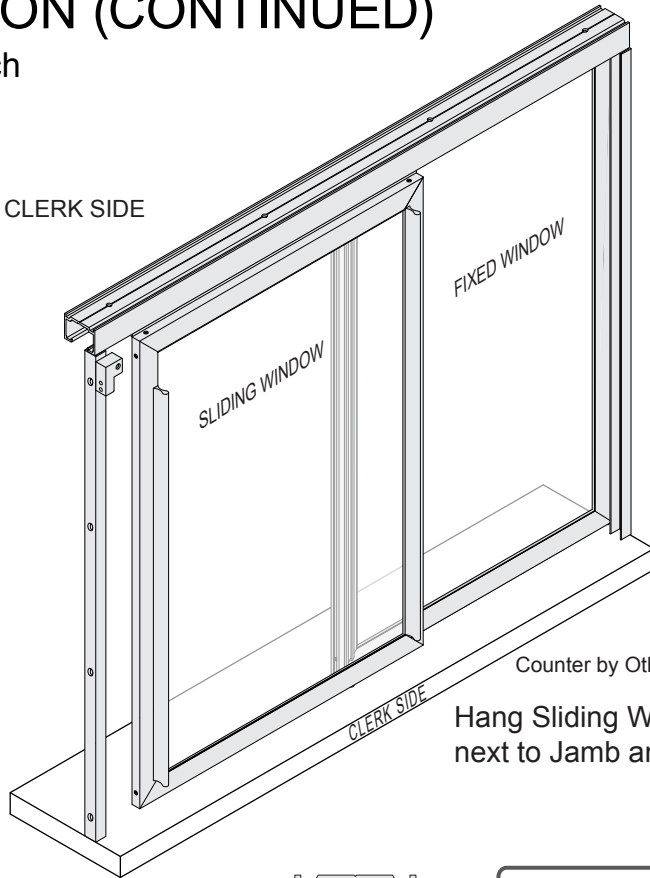


INSTALLATION (CONTINUED)

6. Install D53 Catch

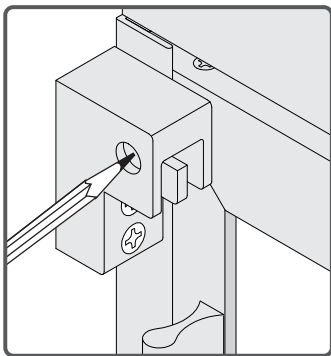


CLERK SIDE

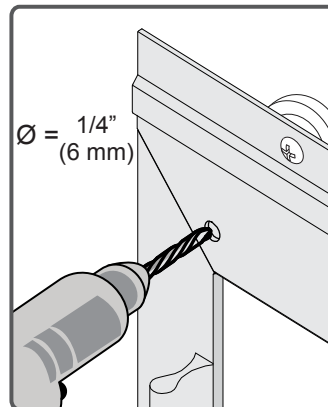
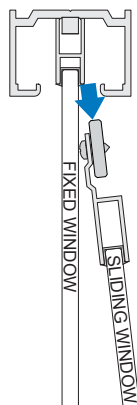


Counter by Others

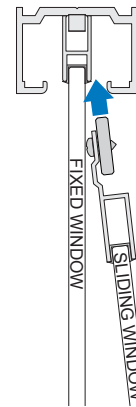
Hang Sliding Window. Place the D53 Catch Base next to Jamb and align with top of Sliding Window.



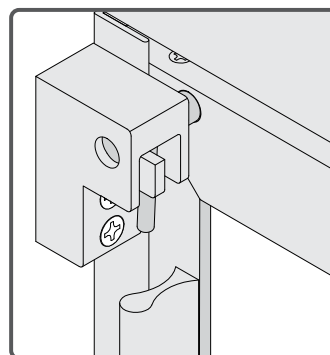
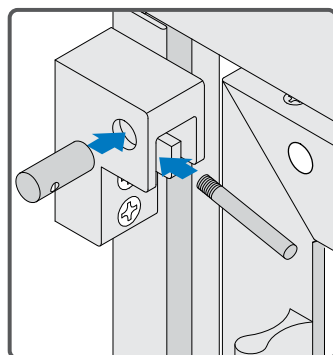
Close window and mark.



Remove window to drill 1/4" (6 mm) hole, and then reinstall.



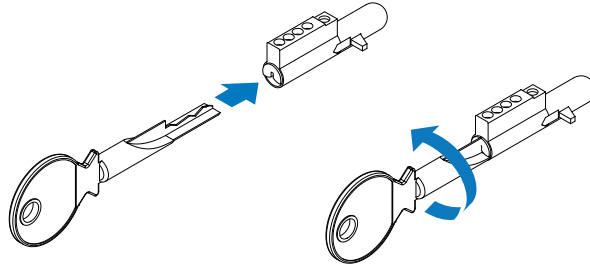
CLERK SIDE



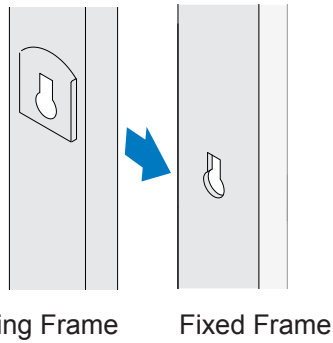
Assemble D53 Catch and close window to check.

OPTIONAL KEYED LOCK OPERATION

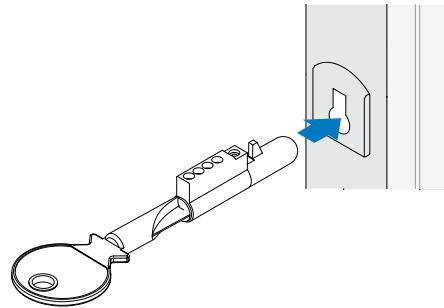
Ⓐ Insert Key into Lock Cylinder and turn to unlock.



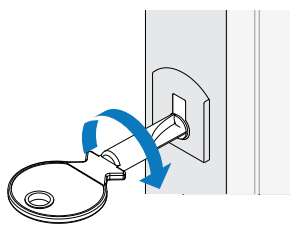
Ⓑ Align sliding frame and jamb.



Ⓒ Insert Key and Cylinder.



Ⓓ Turn to locked position.



Ⓔ Remove Key.

