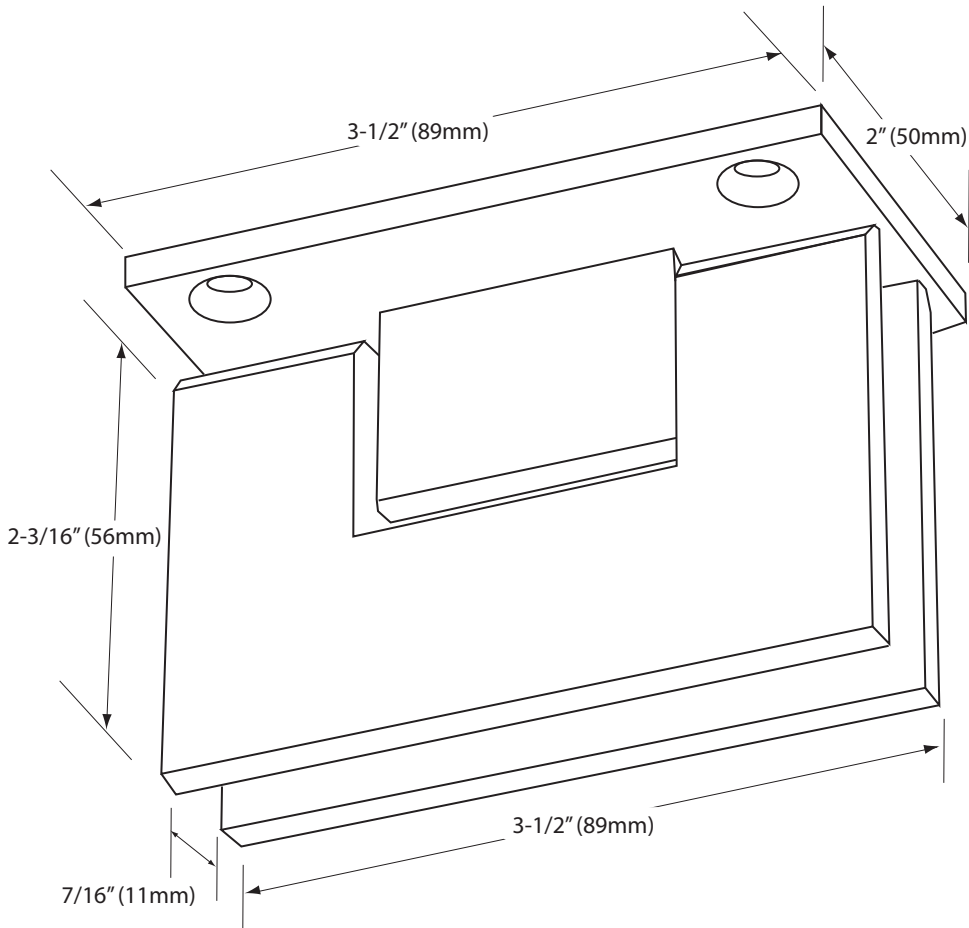




C.R. LAURENCE CO., INC.
PROFESSIONAL QUALITY



GLASS CLAMPS

Ceiling Mount 3-Point Movable Transom Clamp

CAT. No. GTC037

Important Information:

The maximum transom size is 28" (711mm) x 12" (305mm)

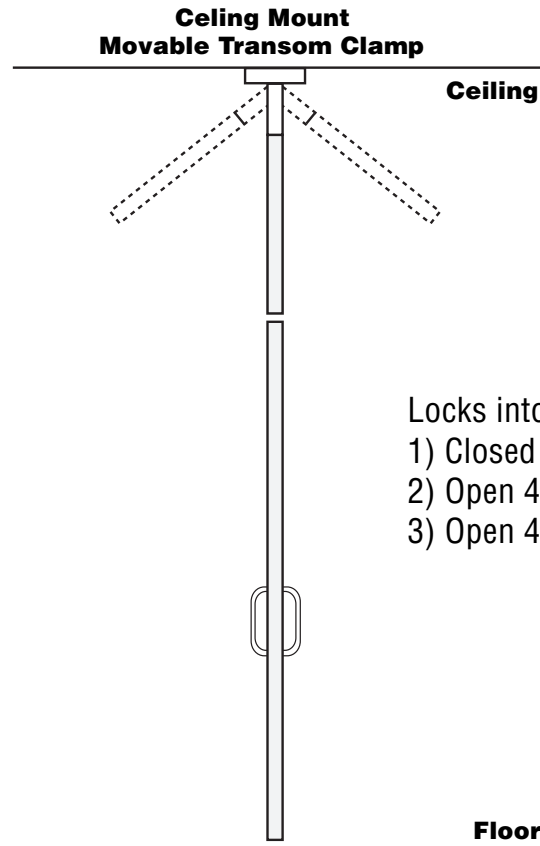
Specifications:

Material: Solid brass

Glass Thickness Range: 5/16", 3/8", and 1/2" (8mm, 10mm, and 12mm)

Cutout Required

Includes: Mounting screws and gaskets



- Locks into 3 Positions:
- 1) Closed (Inline with Door)
 - 2) Open 45° Outward
 - 3) Open 45° Inward

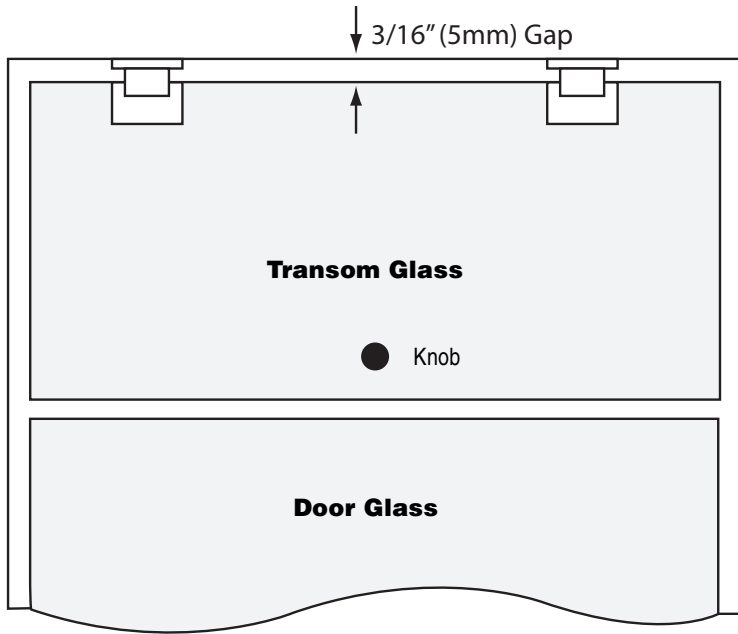
Template Shown on Next Page

4X-43



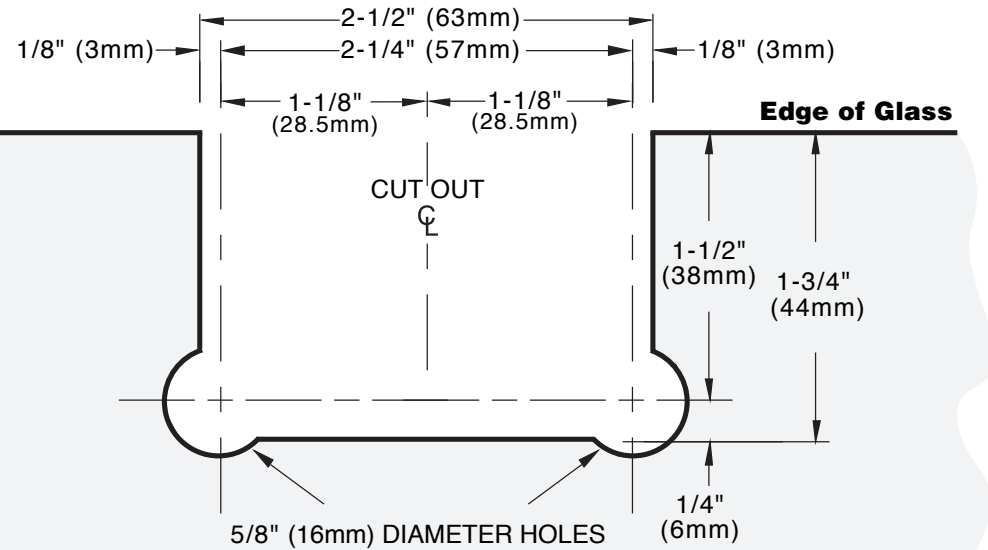
C.R. LAURENCE CO., INC.
PROFESSIONAL QUALITY

TYPICAL INSTALLATION



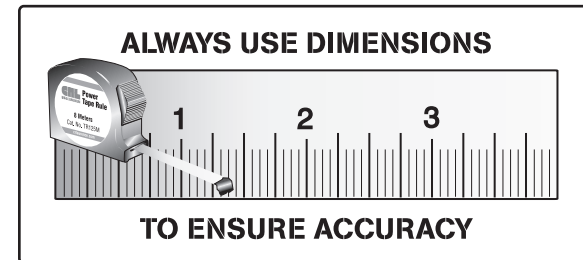
TEMPLATE FOR MOVABLE TRANSOM GLASS

Important: Project measurements from the edge of glass.



GLASS CLAMPS

Ceiling Mount 3-Point Movable Transom Clamp
CAT. No. GTC037



C.R. Laurence Co., Inc. For technical assistance in the United States call toll free (800) 421-6144; from Canada call toll free (877) 421-6144;
crlaurence.com Outside the U.S. and Canada call (323) 588-1281. Ask for Tech Sales at Extension 7740. Toll free fax (800) 458-7496.