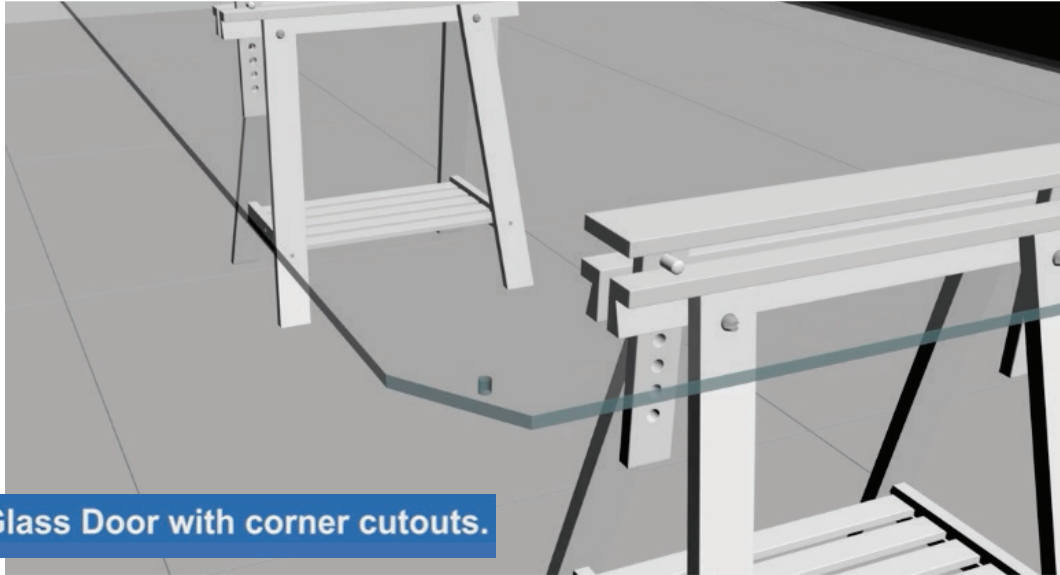


**ZER000  
ZERO HINGE  
GLASS-TO-GLASS**

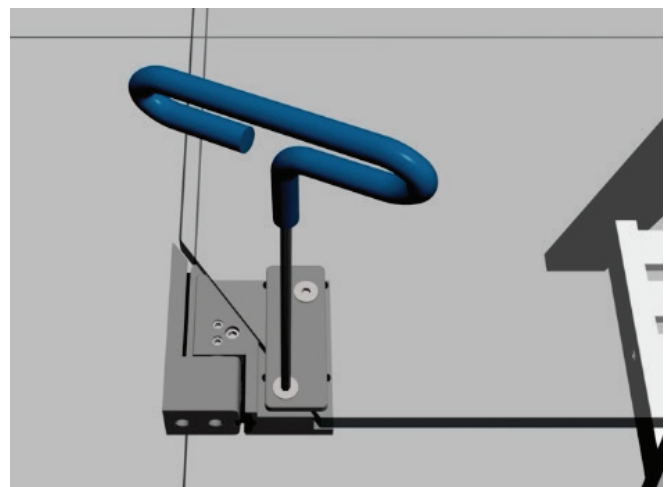
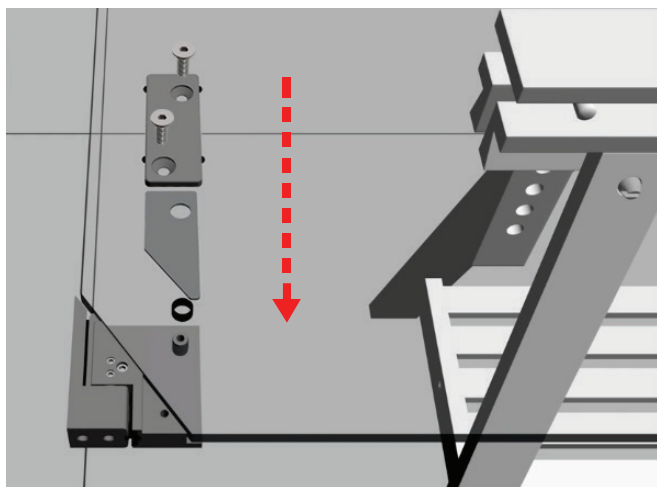
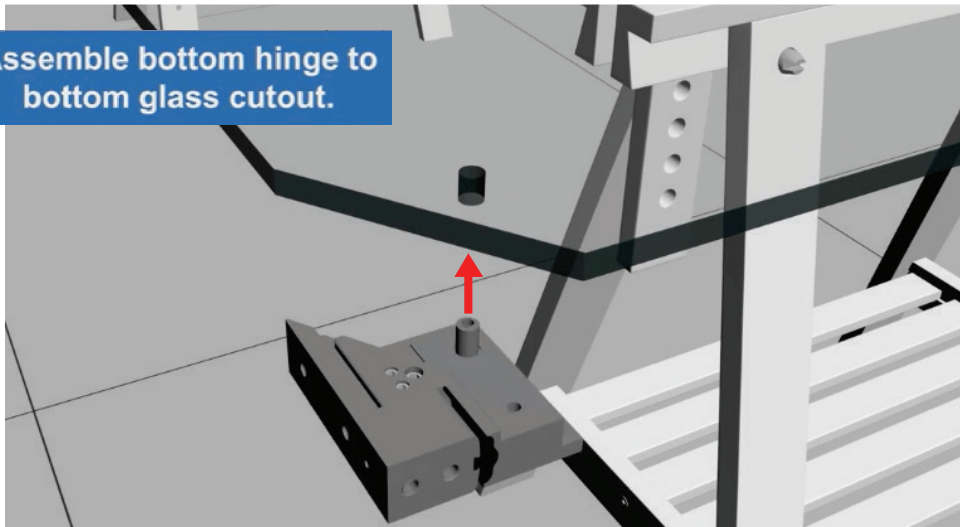


①

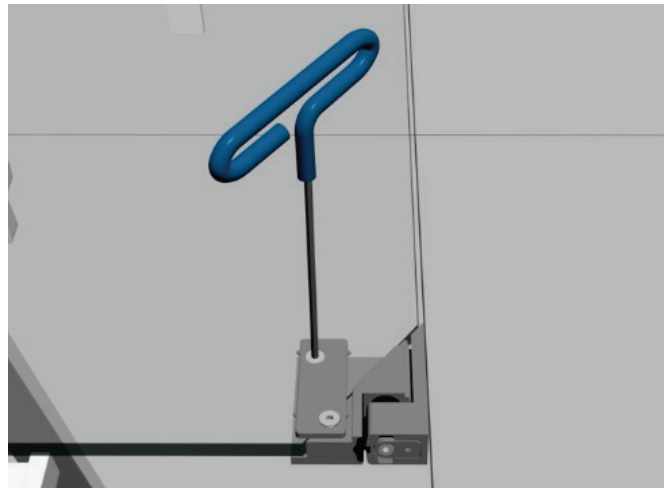
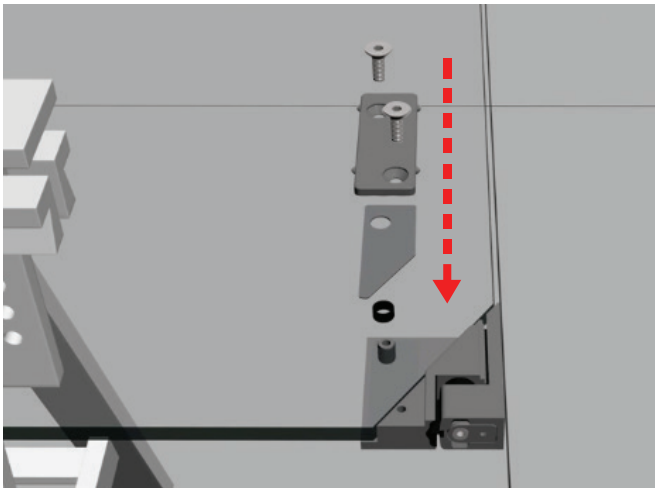
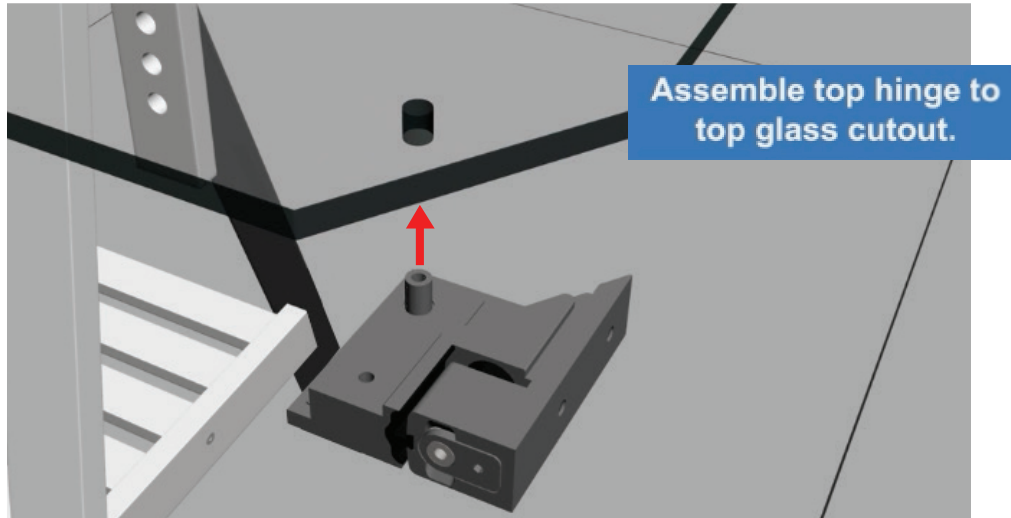


②

Assemble bottom hinge to bottom glass cutout.



3



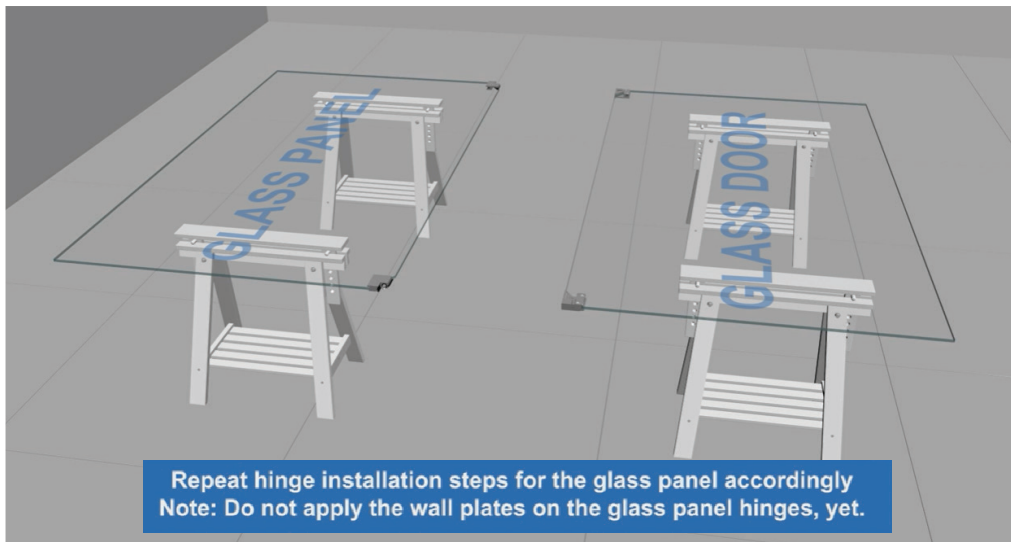
4



5



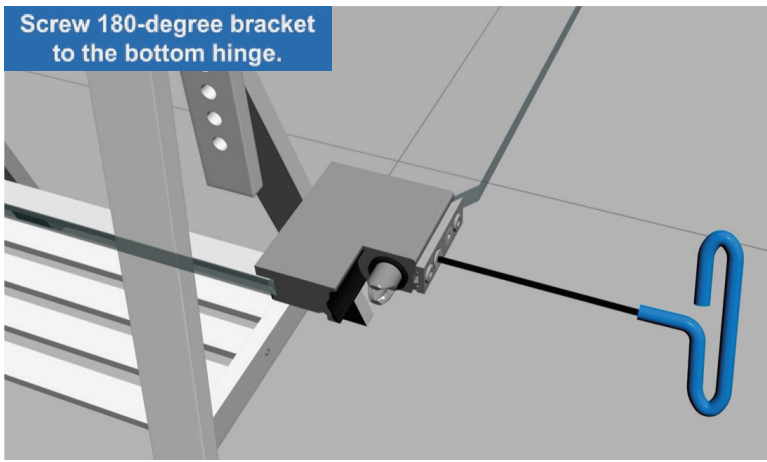
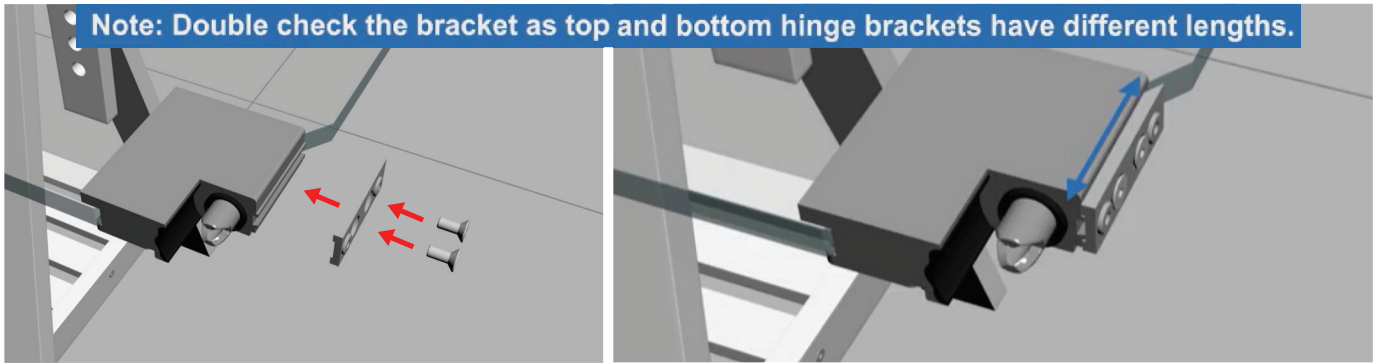
6



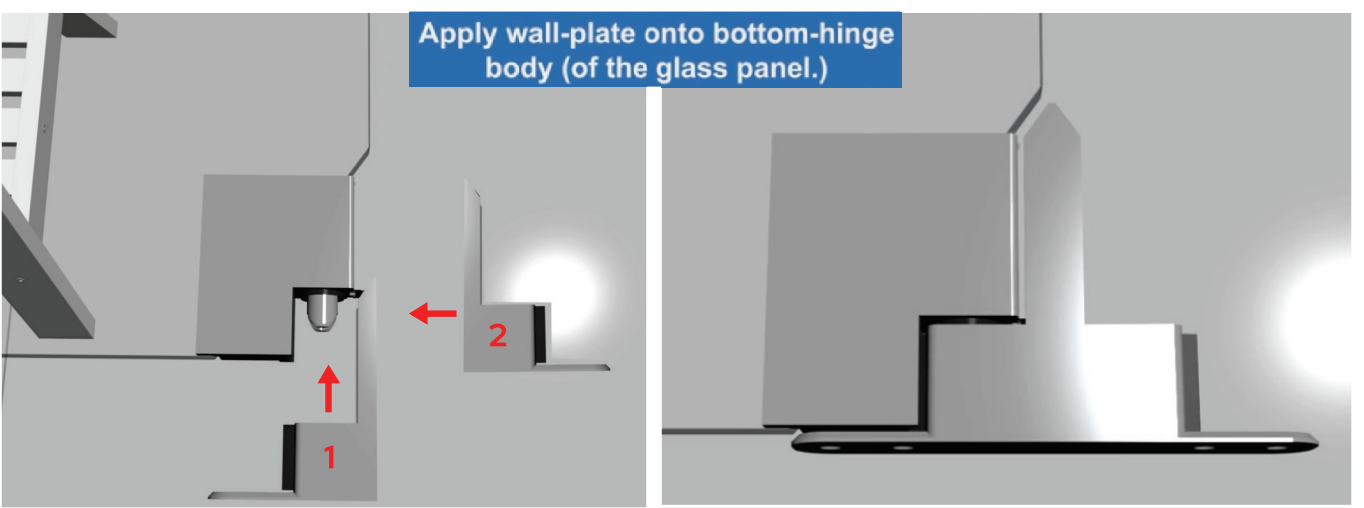
7

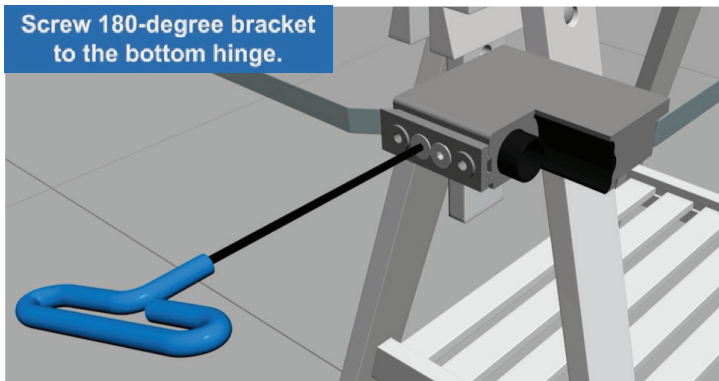
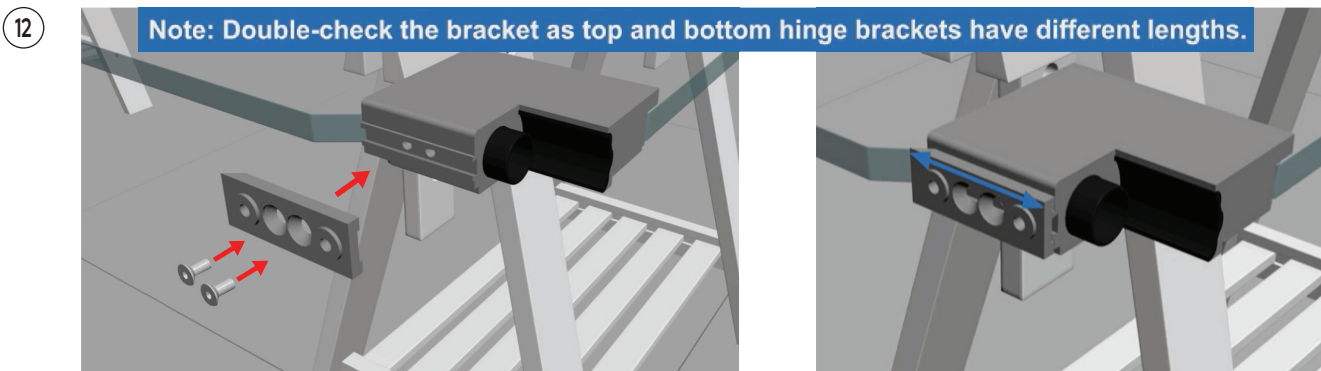
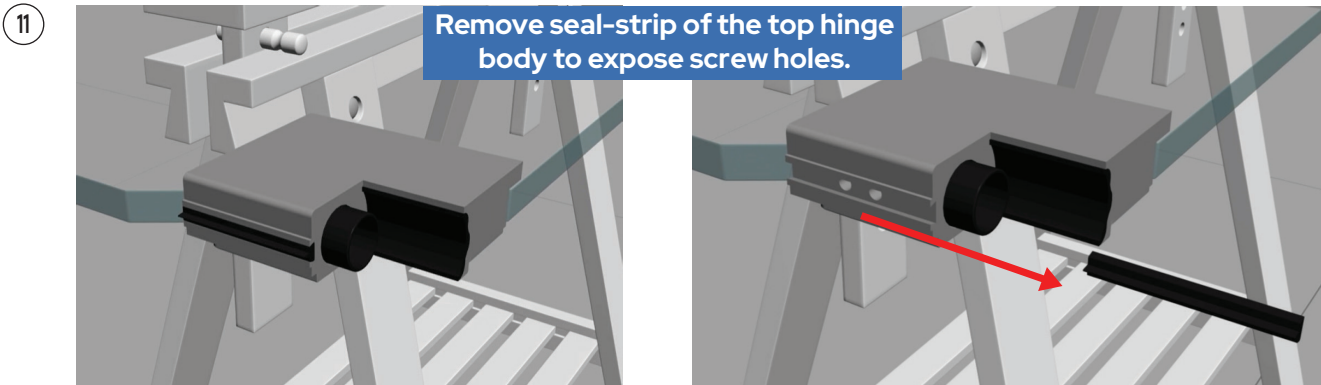
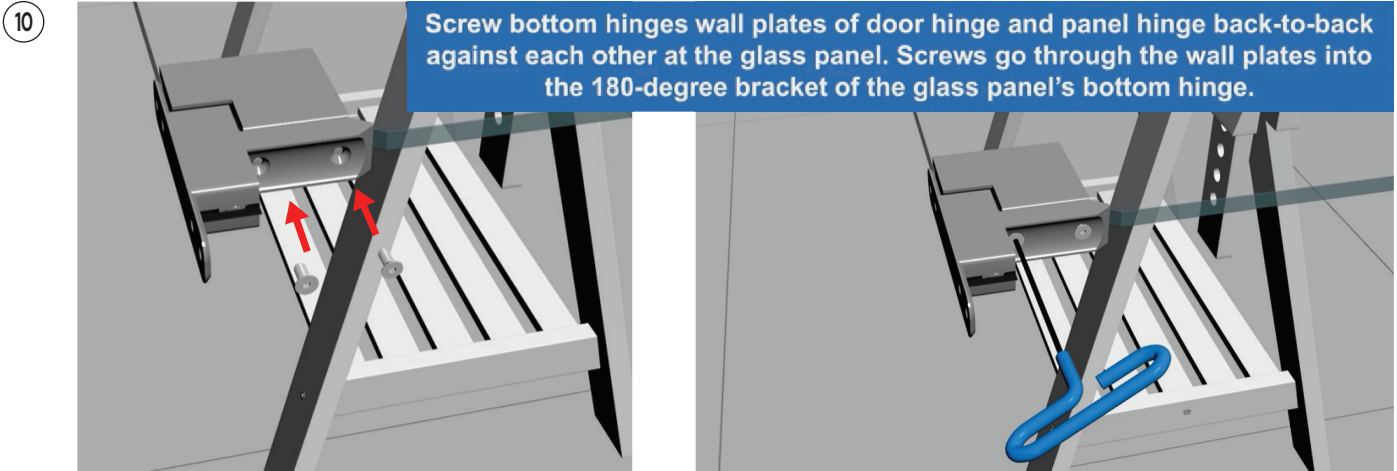


8 **Note: Double check the bracket as top and bottom hinge brackets have different lengths.**

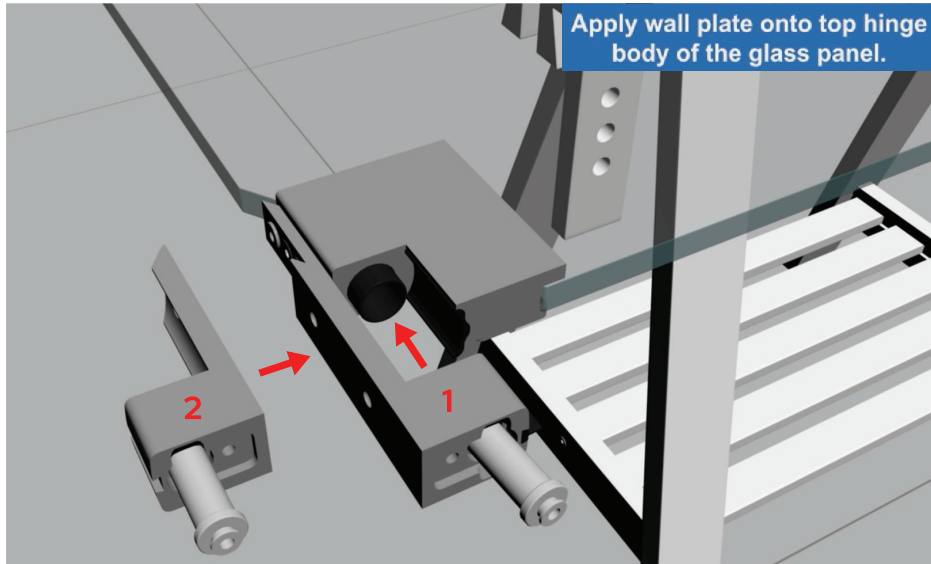


9 **Apply wall-plate onto bottom-hinge body (of the glass panel.)**

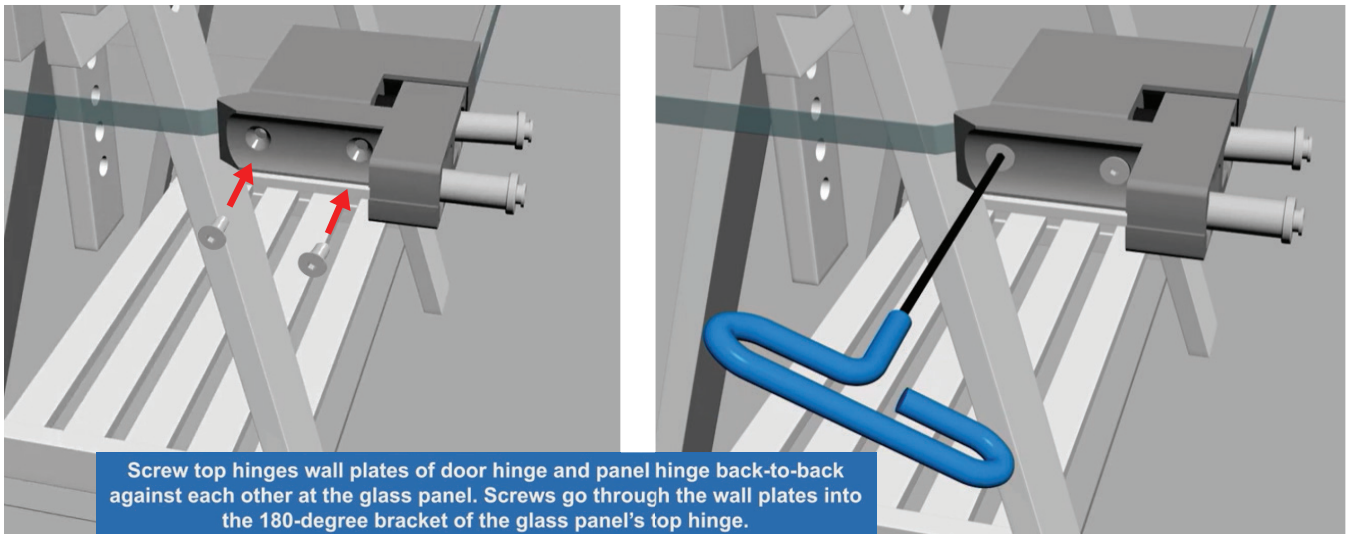




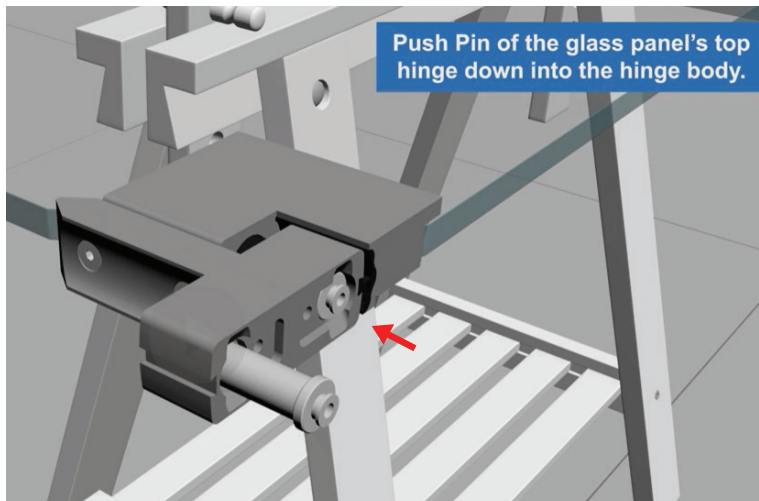
13

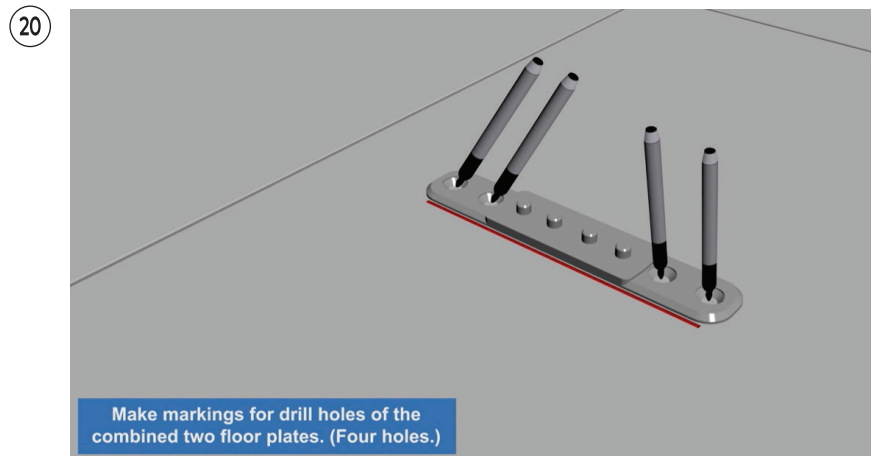
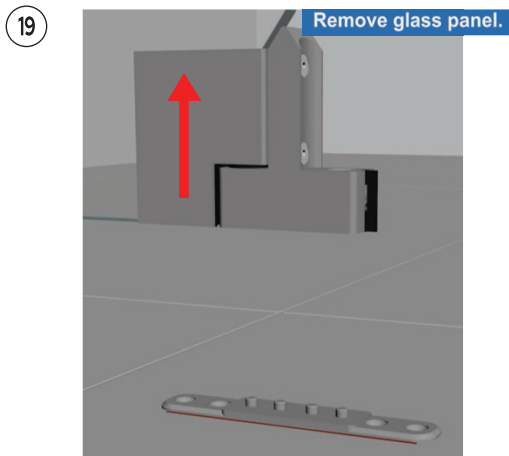
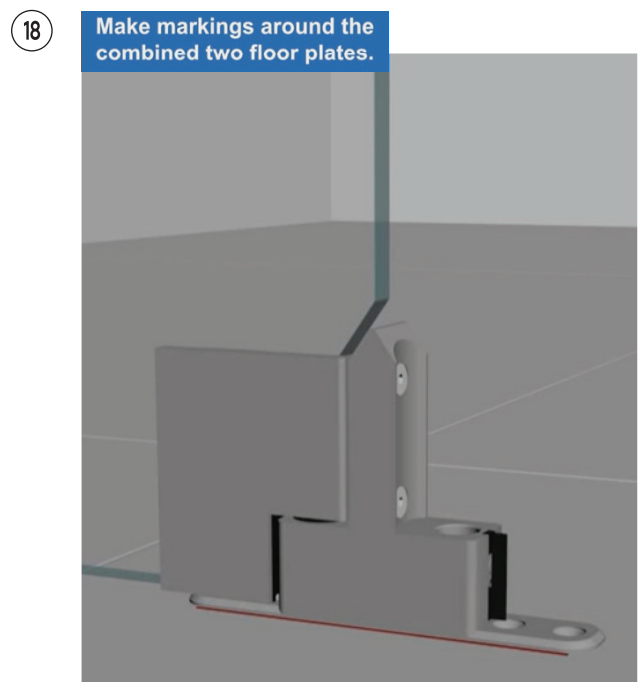
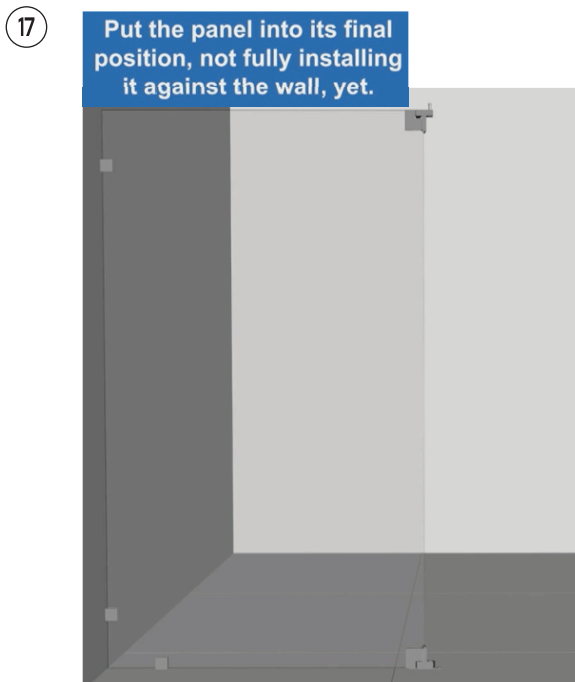
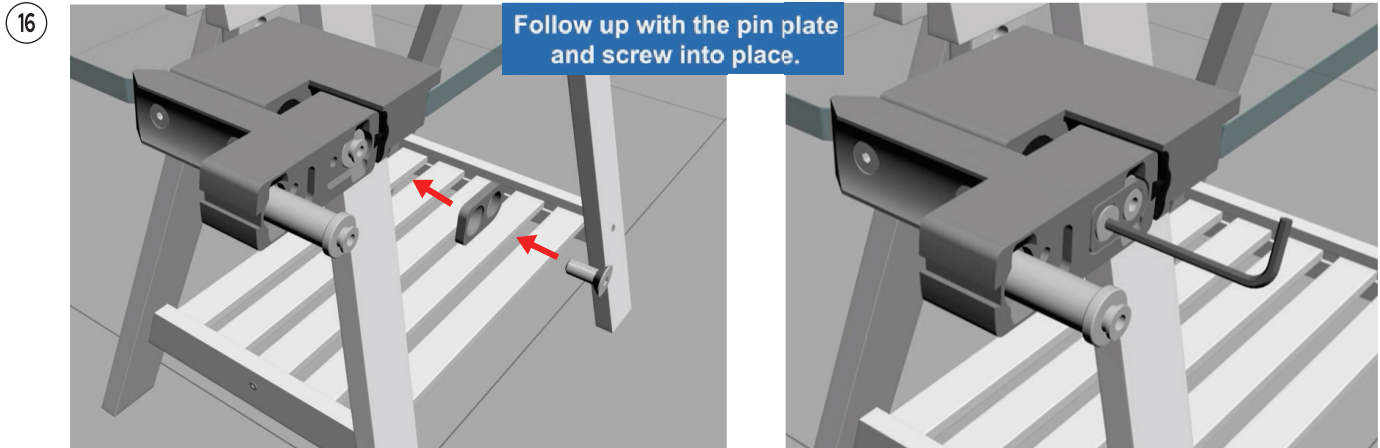


14



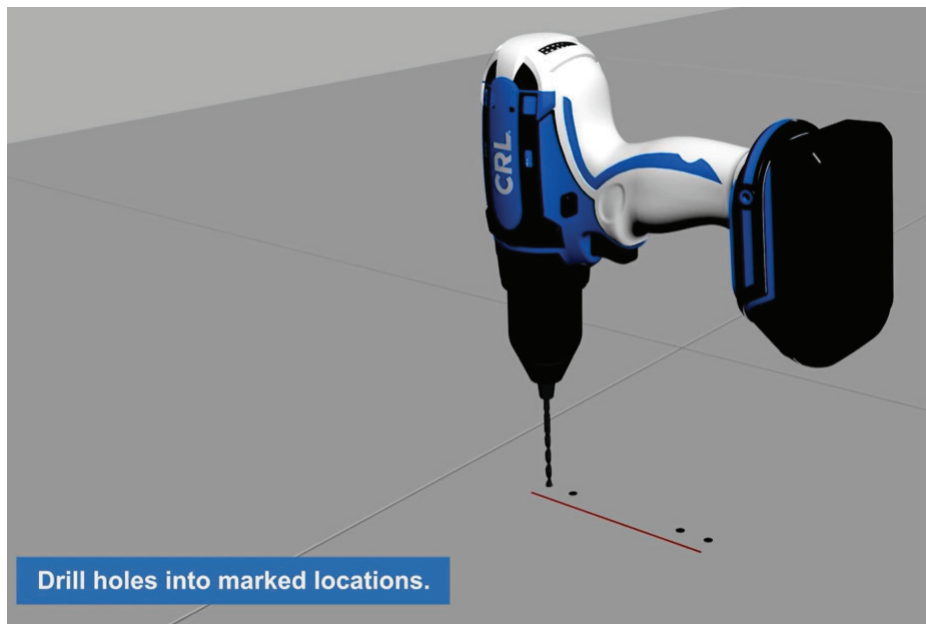
15



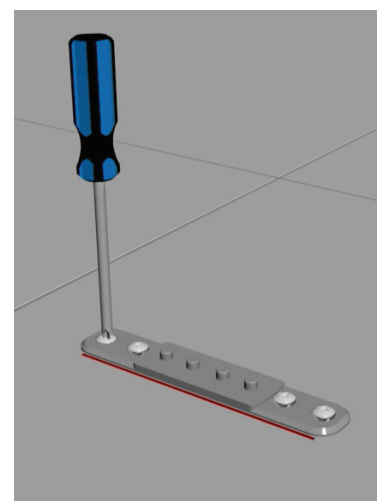
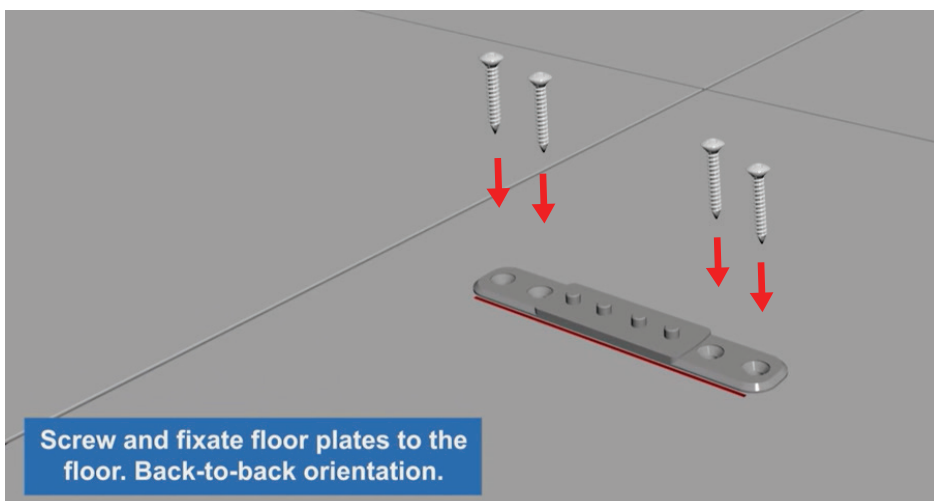




21

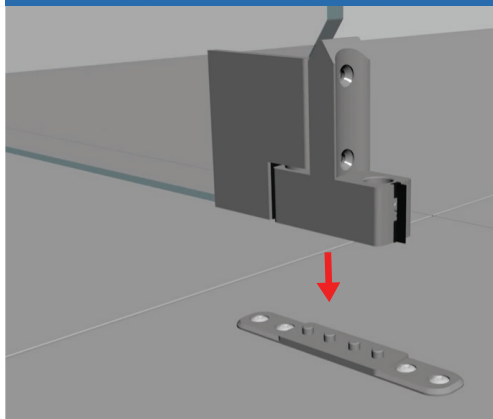


22

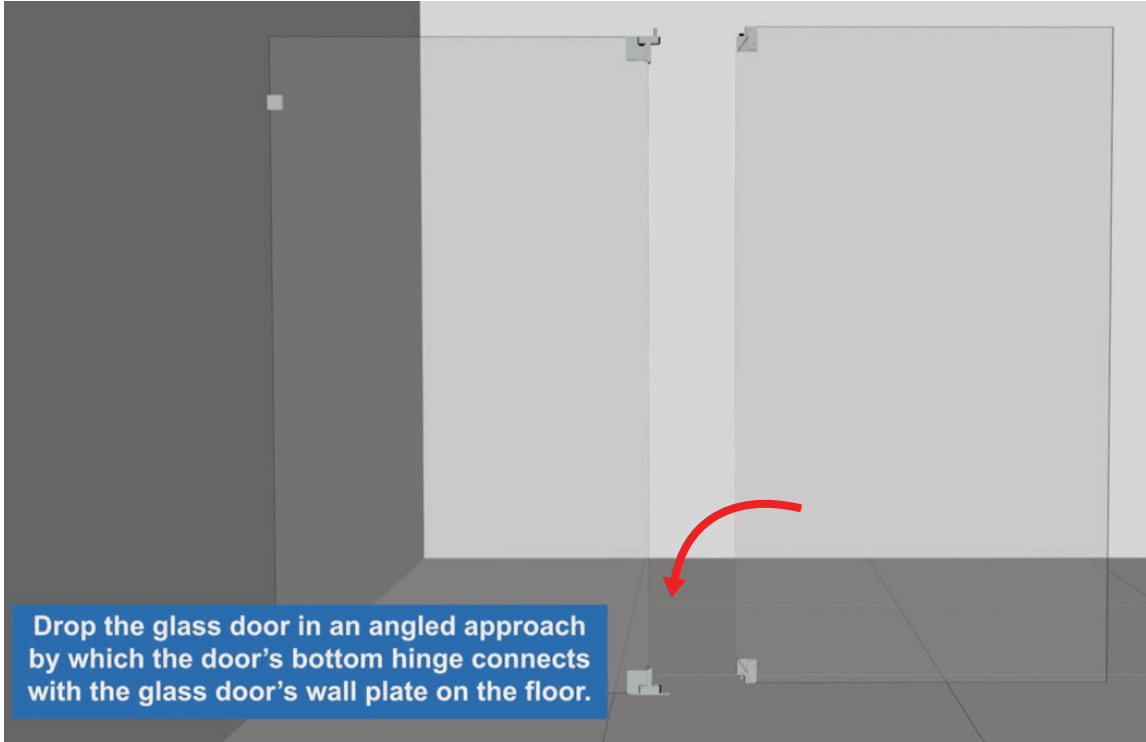


23

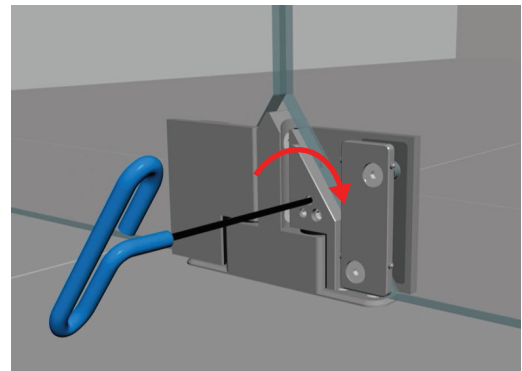
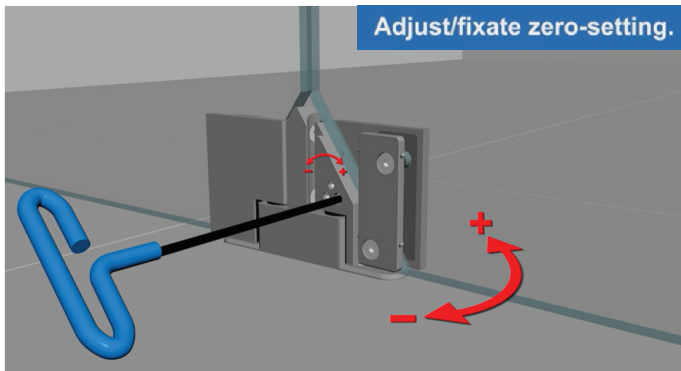
Put the glass-panel into its final position by dropping it down onto the floor-plates. Ensure engagement of floor-plates' pins with the holes in the bottom of the hinges' wall-plates.



24



25



26

