

Important Information:

The CRL Curved Door Patch is designed for a 2-11/16" (68 mm) set back. This dimension is measured from the "finished" door opening to the pivot center line.

Specifications:

Glass Sizes: 3/8" (10 mm) to 1/2" (12 mm) thick tempered safety glass

Construction: High density casting

Glass Fabrication Required: Cut-Out and Hole Required

- See Reverse

Includes: Base Fitting, Appropriate Insert, Cover Plate, Screws, and Gaskets for 3/8" (10 mm) and 1/2" (12 mm) Glass

Available Finishes:

- Brushed Stainless Steel
- Polished Stainless Steel

Use of Gaskets:

For 3/8" (10 mm) Glass: Use two gaskets on each side

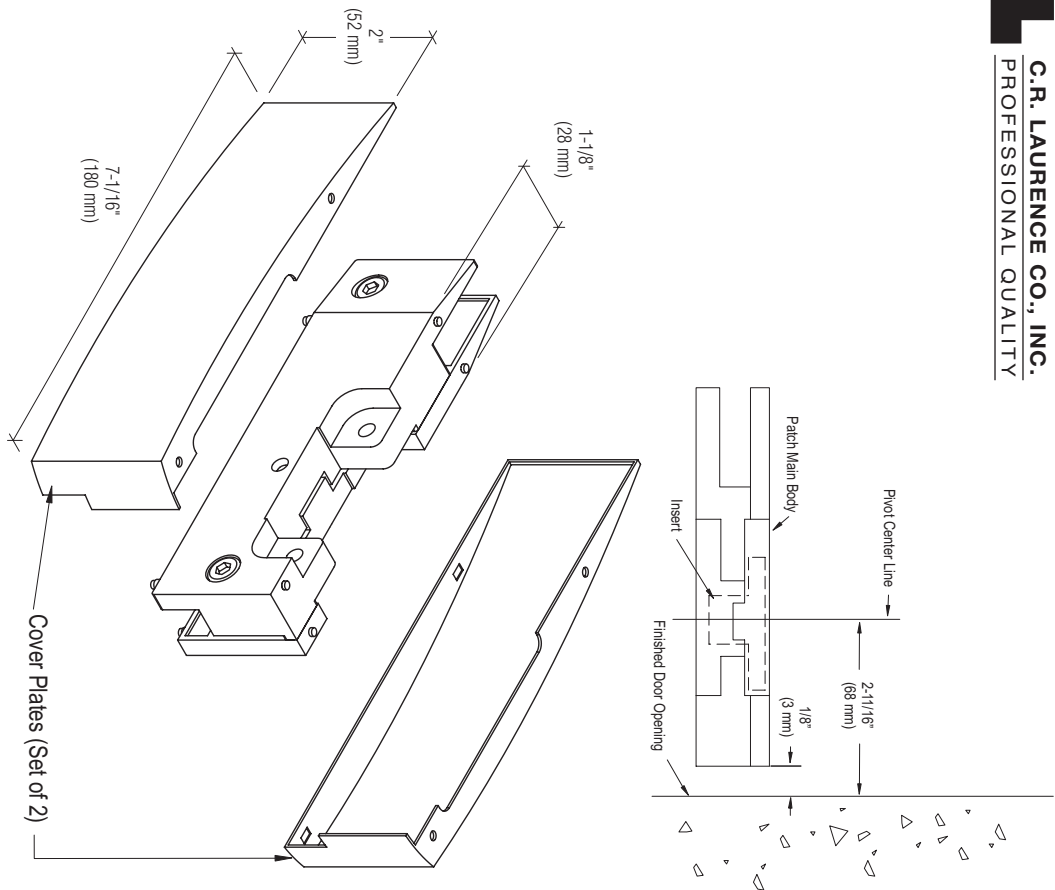
For 1/2" (12 mm) Glass: Use one gasket on each side

Recommendations:

For public safety, we recommend the use of tempered safety glass only.

SEE TEMPLATE ON BACK

Refer to Dimensions Shown to Ensure Accuracy



CRL CURVED FACE PLATE DOOR PATCH

TYPICAL 2-11/16" (68 mm) SET BACK

DOOR TOP AND BOTTOM PATCH

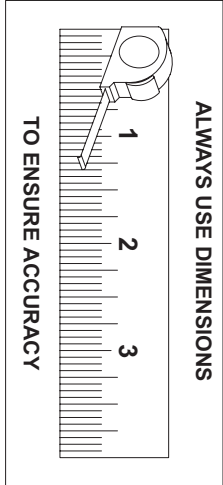
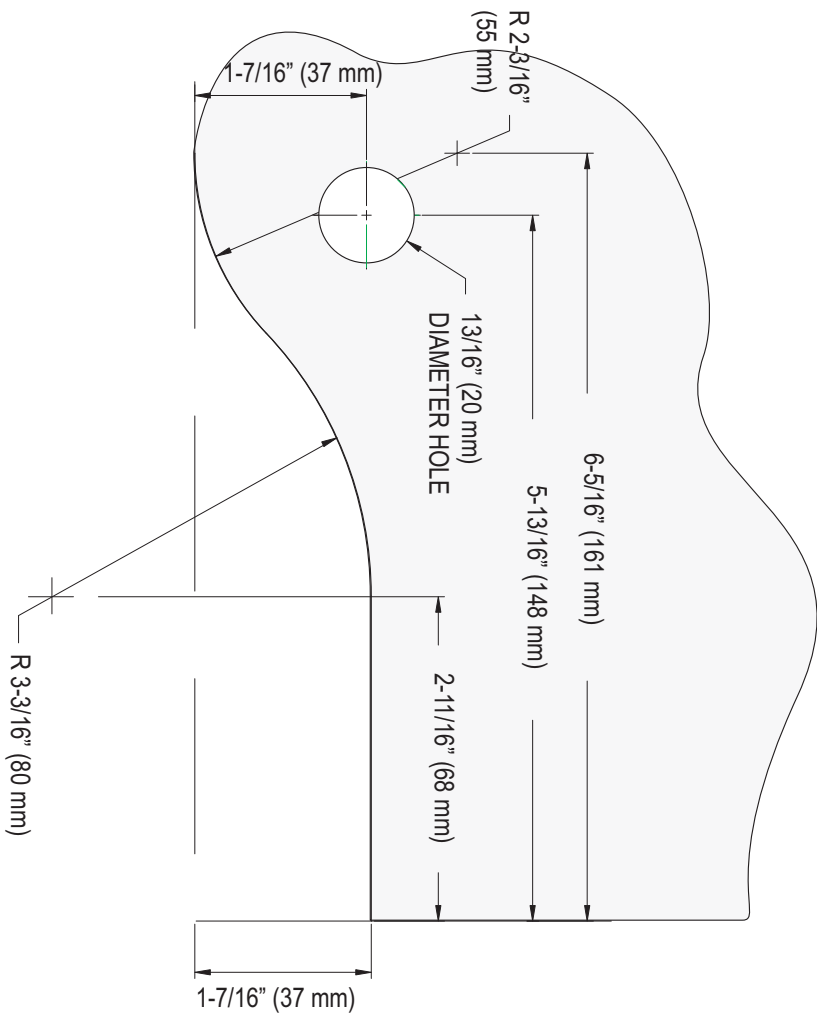
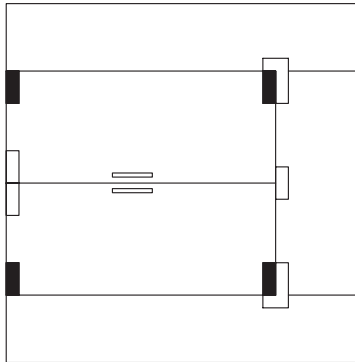
Applicable to Cat. No. CPF20A, CPF20B, CPF10C

* Maximum Capacity	3/8" (10 mm) Glass	1/2" (12 mm) Glass
Top and Bottom Patches	Weight 176 lbs. (80 kg) Door Width 43-3/8" (1100 mm)	Weight 176 lbs. (80 kg) Door Width 43-3/8" (1100 mm)

NOTE:
 Both weight and door width capabilities must be met when determining door size.



C.R. LAURENCE CO., INC.
PROFESSIONAL QUALITY



CRL CURVED FACE PLATE DOOR PATCH

TYPICAL 2-1/16" (68 mm) SET BACK

DOOR TOP AND BOTTOM PATCH

Applicable to Cat. No. CPF20A, CPF20B, CPF10C

C.R. Laurence Co., Inc.
crlaurence.com

For technical assistance in the United States call toll free (800) 421-6144; from Canada call toll free (877) 421-6144;
Outside the U.S. and Canada call (323) 588-1281. Ask for Tech Sales at Extension 7700. Toll free fax (800) 587-7501.