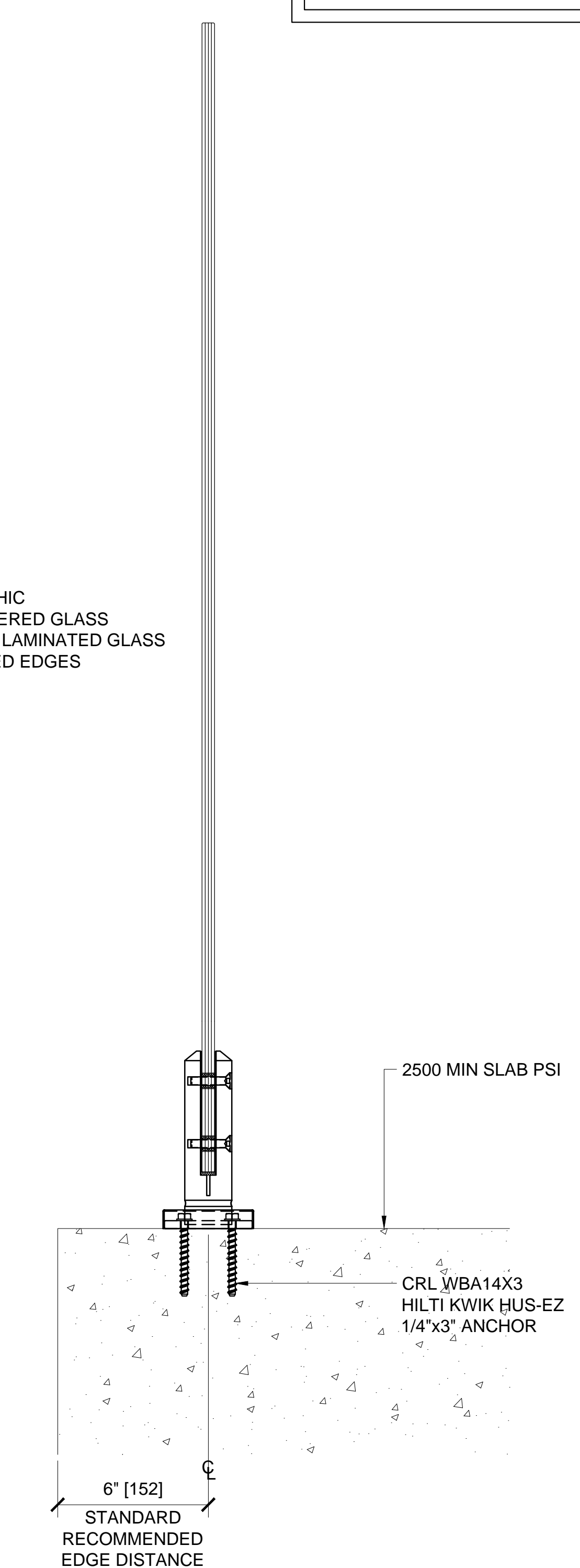
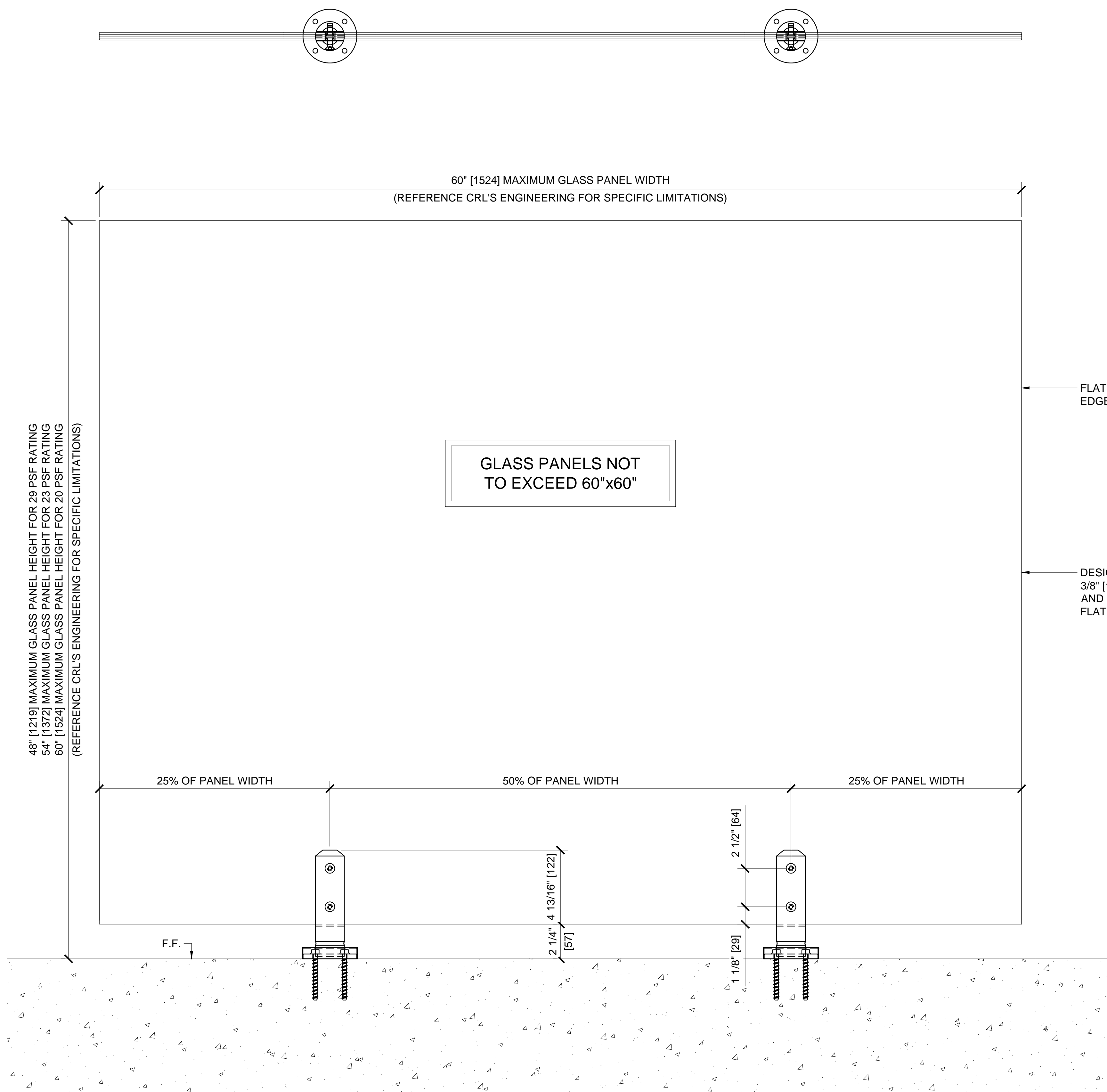


THESE FRAMELESS WINDSCREEN CLAMPS MAY BE USED FOR FALL PROTECTION IN ONE AND TWO-FAMILY RESIDENTIAL OCCUPANCIES AND LOCATIONS INCLUDED IN IBC 1607.8.1 EXCEPTIONS 1 AND 2.
 EXCEPTION 1: INSTALLED WITH A MINIMUM OF 3 PANELS OF 1/2" TEMPERED GLASS.
 EXCEPTION 2: INSTALLED WITH A TOP RAIL CAPABLE OF SPANNING 10 FEET.
 FOR THESE CONDITIONS, THE SYSTEM WILL SUPPORT THE 200 LB LOAD VERTICALLY OR HORIZONTALLY WITH A SAFETY FACTOR OF 4.0 AGAINST GLASS FAILURE.



CATALOG NUMBER	FINISH
AFWC4SBS	BRUSHED STAINLESS - 316 S.S.
AFWC4SPS	POLISHED STAINLESS - 316 S.S.

① WINDSCREEN INTERIOR ELEVATION
 1'-0"=1'-0"

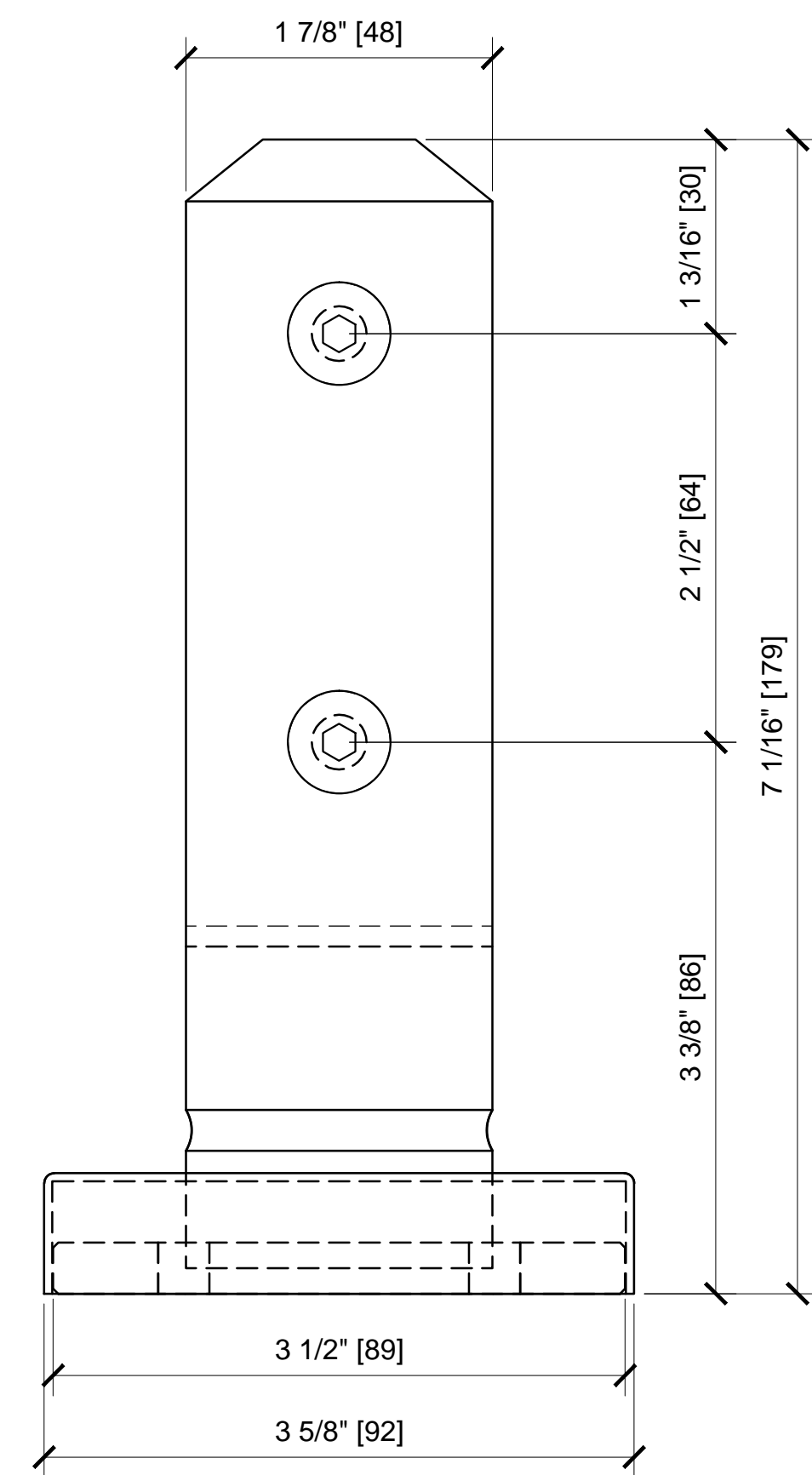
② WINDSCREEN SECTION
 1'-0"=1'-0"

Description:

FSC FRAMELESS WINDSCREEN SYSTEMS

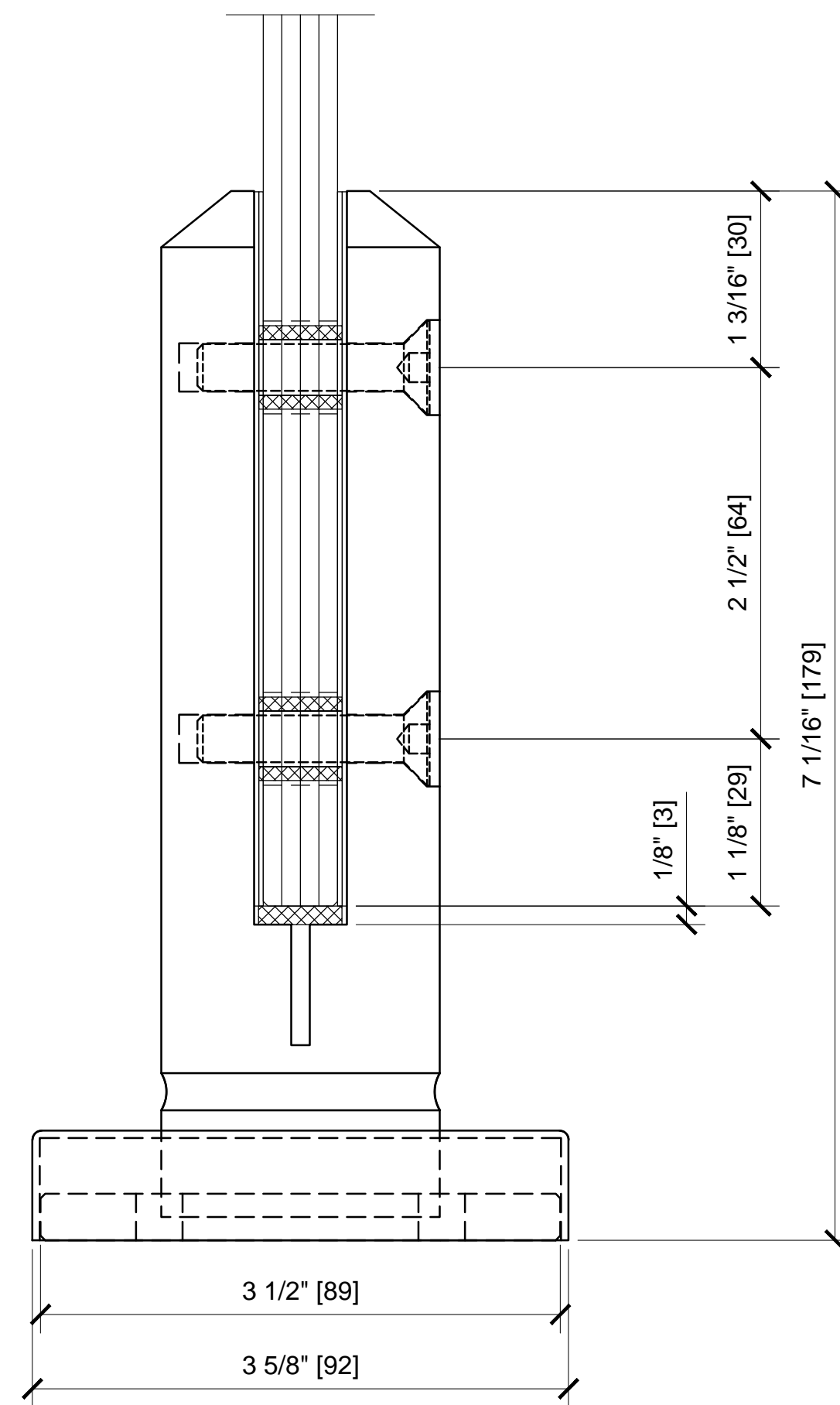
Drawn By: AAD
 Date: 1/15/16
 Scale: AS NOTED
 File Name: 08-AFWC4S-Surface Mount Frameless Windscreen System.dwg

Sheet



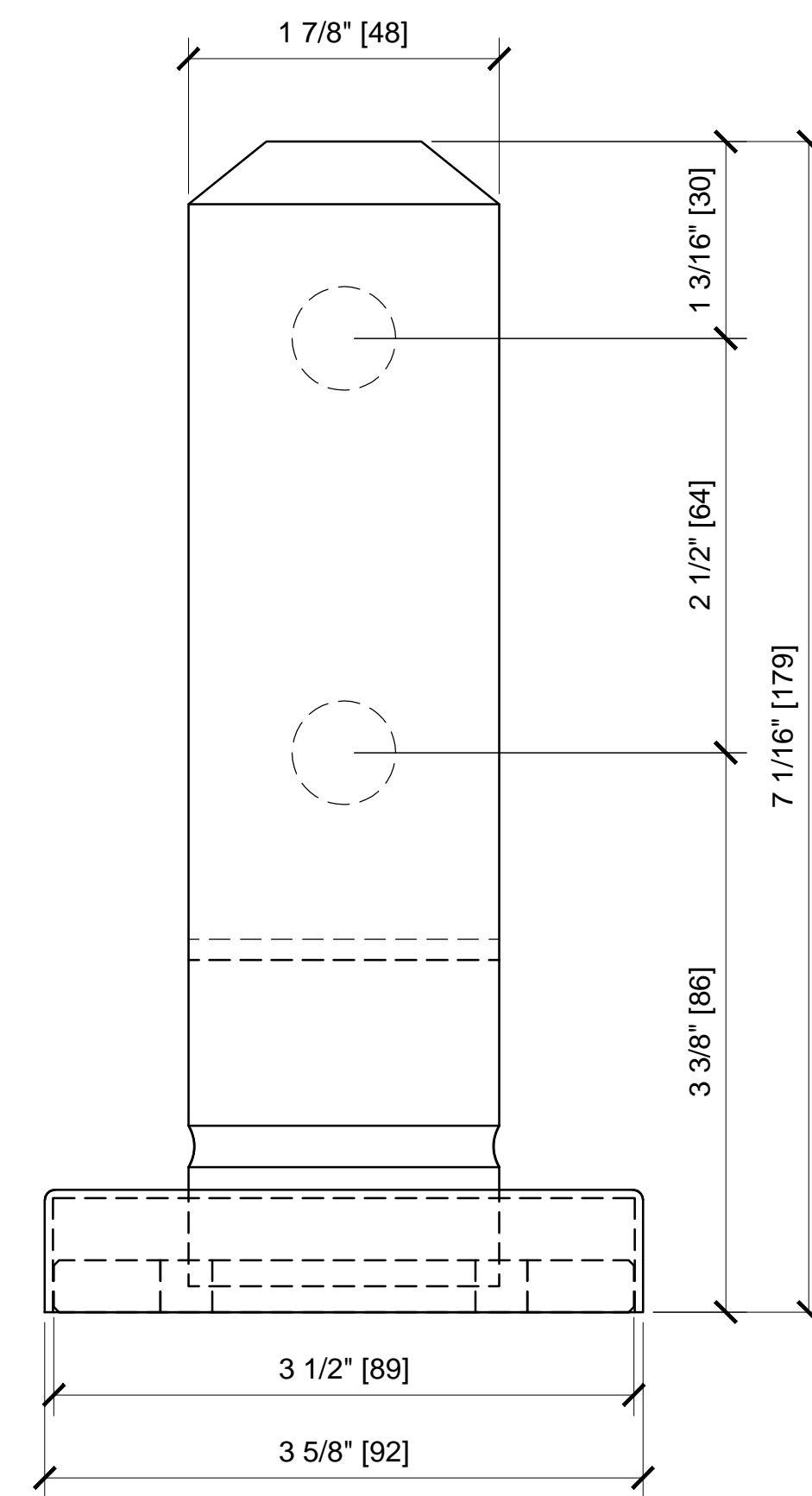
① AFWC4S FRONT VIEW

1'-0"=1'-0"



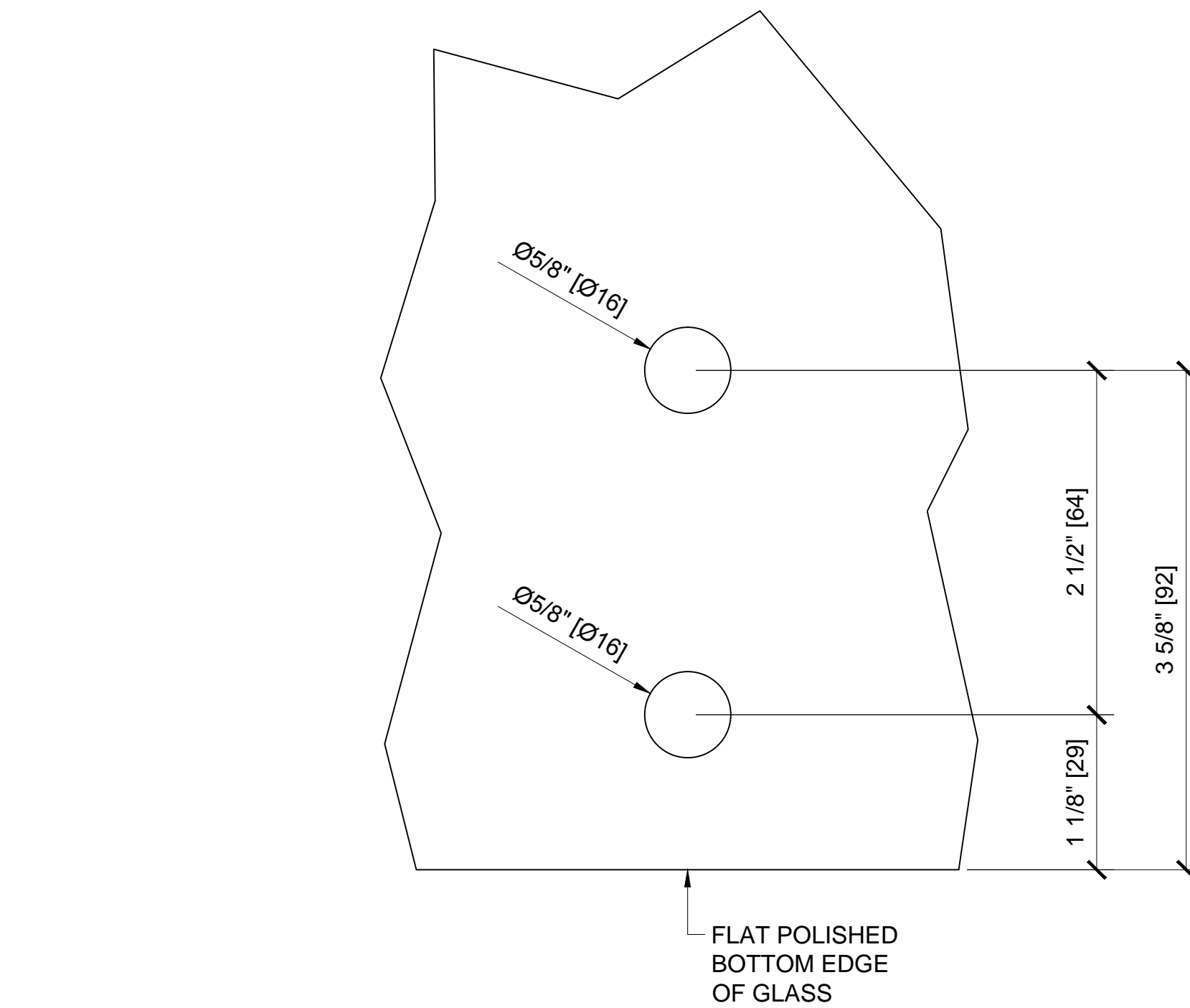
② AFWC4S SIDE VIEW

1'-0"=1'-0"



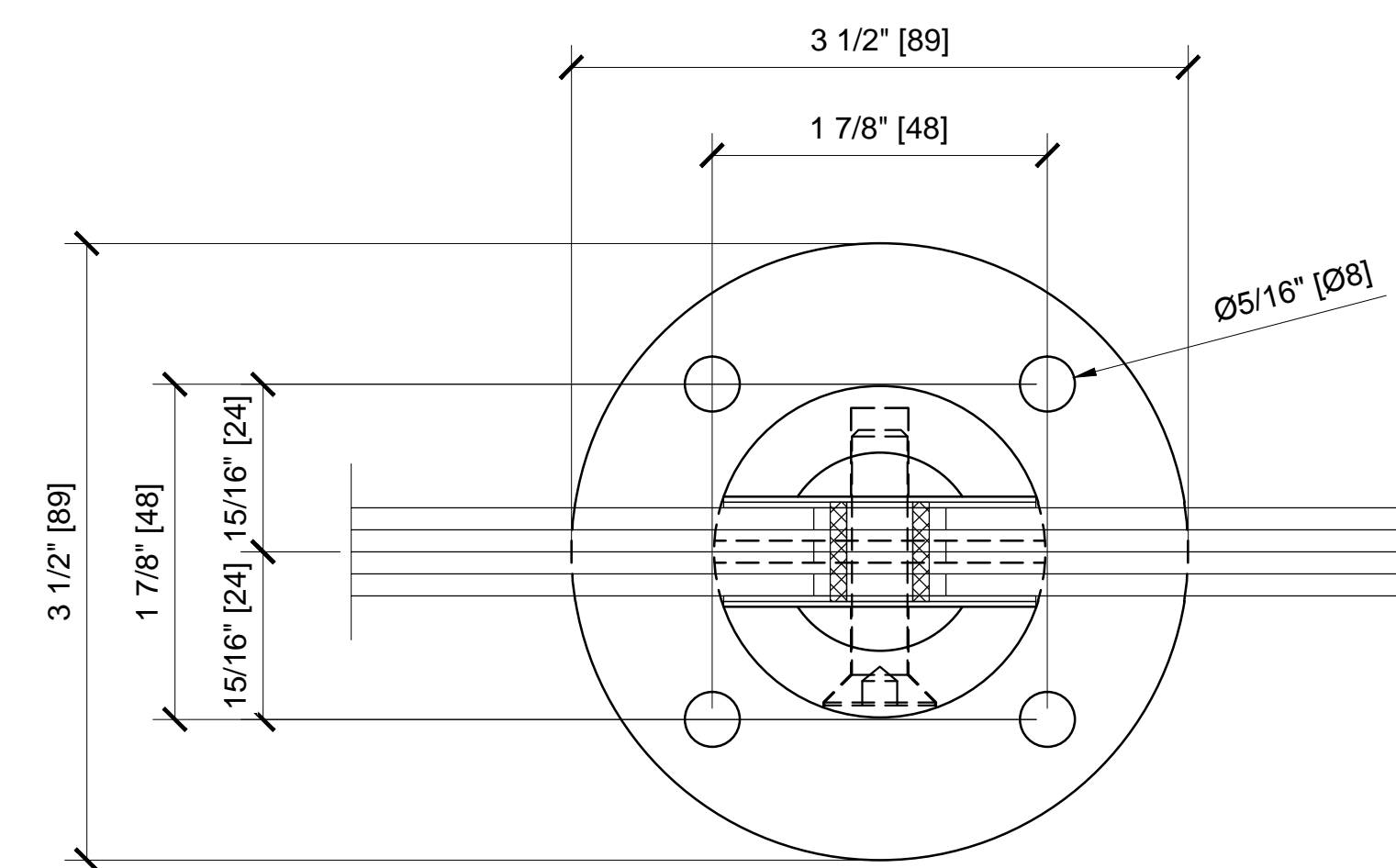
③ AFWC4S REAR VIEW

1'-0"=1'-0"



⑤ GLASS FABRICATION REQUIREMENTS

1'-0"=1'-0"



④ AFWC4S TOP VIEW

1'-0"=1'-0"

Revisions By:



Description:

FSC FRAMELESS
WINDSCREEN SYSTEMS

Drawn By: AAD

Date: 1/15/16

Scale: AS NOTED

File Name:
08-AFWC4S-Surface Mount Frameless
Windscreen System.dwg

Sheet

2.08