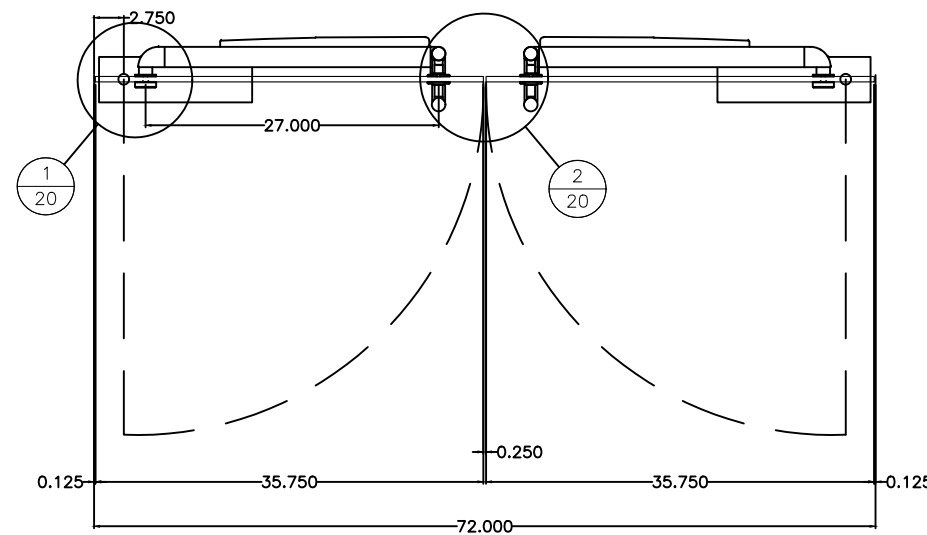
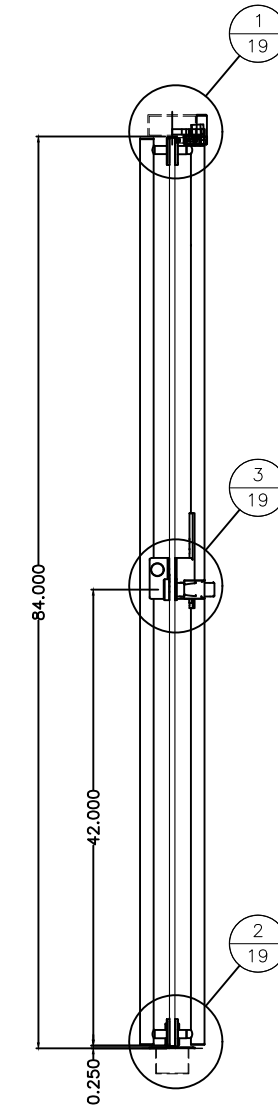
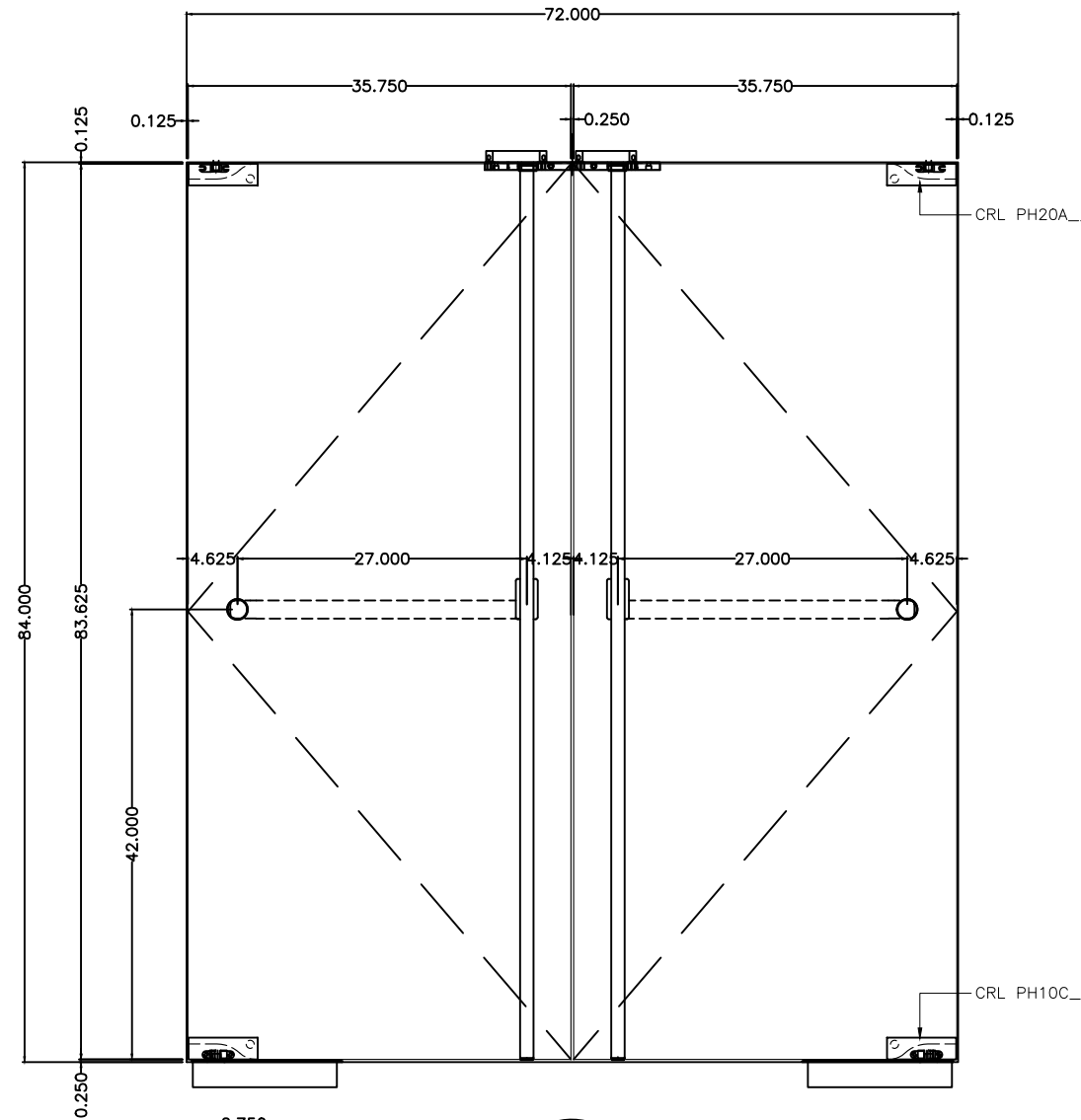


BLUMCRAFT PA300 SERIES PANIC HANDLE



- \* HARDWARE FABRICATED FROM 1 1/4" DIAMETER STAINLESS STEEL OR ARCHITECTURAL BRONZE TUBING
- \* WIDE SELECTION OF EXTERIOR PULL HANDLES ARE AVAILABLE
- \* STANDARD CONFIGURATIONS AVAILABLE FOR PANIC HANDLES
- \* PA300 PANICS ARE COMPATIBLE WITH ELECTRIC STRIKES
- \* STANDARD CONFIGURATIONS ONLY AVAILABLE FOR PA310
- \* ALL PANICS COME WITH A DOGGING FEATURE
- \* ALL CONFIGURATIONS AVAILABLE WITH OR WITHOUT KEYED ACCESS DEVICES
- \* AVAILABLE IN POLISHED AND BRUSHED STAINLESS STEEL, SATIN AND POLISHED BRASS, AND OIL RUBBED BRONZE

CRL - BLUMCRAFT PANIC HANDLE SIZE LIMITATION DOOR HEIGHTS

EXTERIOR  
 - 96" (2.44M) FOR 1/2" (12MM) GLASS THICKNESS  
 - 102" (2.59M) FOR 3/4" (19MM) GLASS THICKNESS

INTERIOR  
 - 102" (2.59M) FOR 1/2" (12MM) GLASS THICKNESS  
 - 108" (2.74M) FOR 3/4" (19MM) GLASS THICKNESS

EXCEPTION  
 - WHEN USING "F"-STYLE EXTERIOR HANDLE  
 - 108" (2.74M) FOR 1/2" (12MM) OR 3/4" (19MM) GLASS THICKNESS

GLASS APPLICATION  
 1/2" (13mm) GLASS  
 3/4" (19 mm) GLASS

**1** PA300 F PANIC HANDLE WITH GLASS MOUNT

1-1/2" = 1'-0"

ARCH. REF.:

Revisions By:

**CRL**

2503 E. Vernon Avenue, Los Angeles, CA 90058-1897  
 PH (800)-421-6144 FX: 800-587-7501 www.crlaurence.com

Description:

CRL BLUMCRAFT  
 PA300 PANIC HANDLE  
 FOR 1/2" AND 3/4" GLASS

Drawn By: NW

Date: 04/02/20

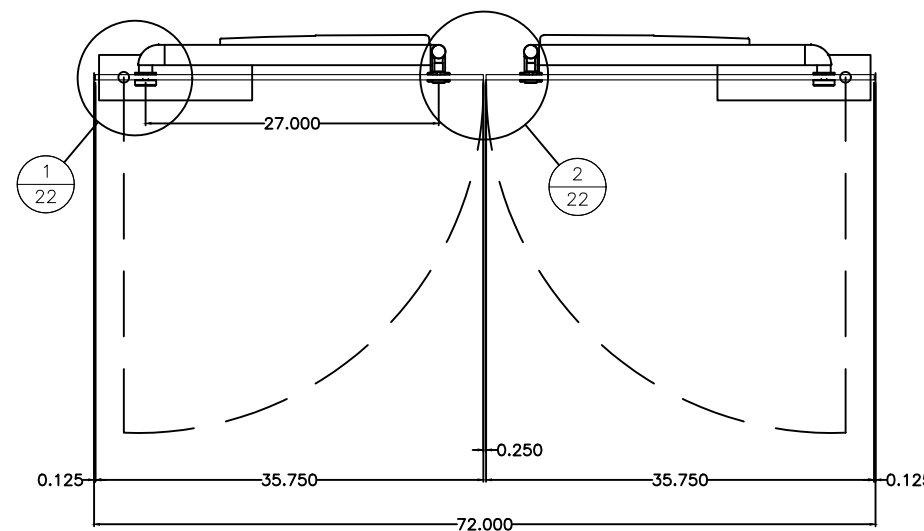
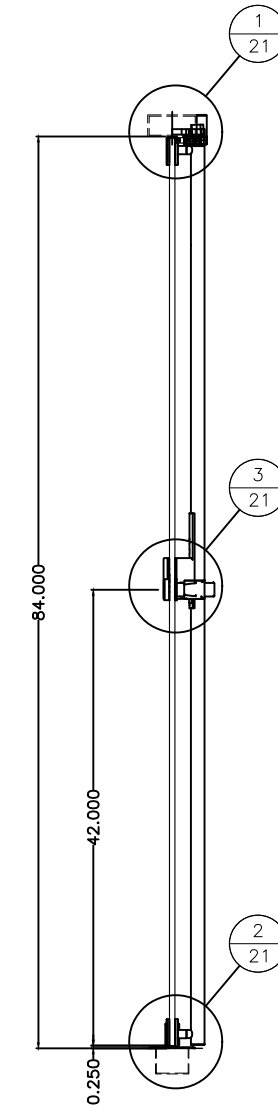
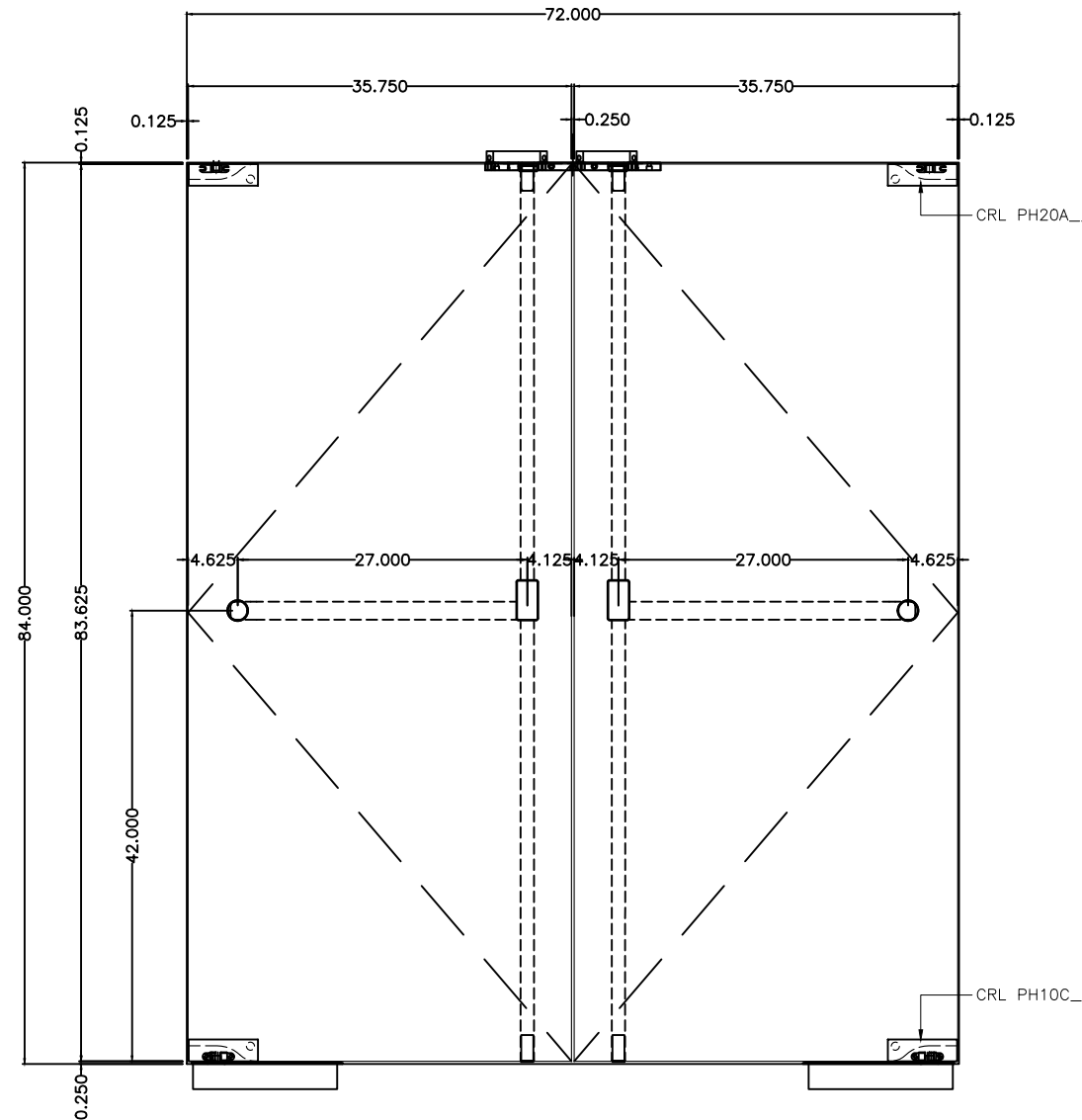
Scale:

File Name: WLDRLSR3812.dwg

Sheet

1

# BLUMCRAFT PA300 SERIES PANIC HANDLE



CRL - BLUMCRAFT PANIC HANDLE SIZE LIMITATION DOOR HEIGHTS

EXTERIOR  
 - 96" (2.44M) FOR 1/2" (12MM) GLASS THICKNESS  
 - 102" (2.59M) FOR 3/4" (19MM) GLASS THICKNESS

INTERIOR  
 - 102" (2.59M) FOR 1/2" (12MM) GLASS THICKNESS  
 - 108" (2.74M) FOR 3/4" (19MM) GLASS THICKNESS

EXCEPTION  
 - WHEN USING "F"-STYLE EXTERIOR HANDLE  
 - 108" (2.74M) FOR 1/2" (12MM) OR 3/4" (19MM) GLASS THICKNESS

GLASS APPLICATION  
 1/2" (13mm) GLASS  
 3/4" (19 mm) GLASS

## 1 PA300 Z PANIC HANDLE WITH GLASS MOUNT

1-1/2" = 1'-0"

ARCH. REF.:

- \* HARDWARE FABRICATED FROM 1 1/4" DIAMETER STAINLESS STEEL OR ARCHITECTURAL BRONZE TUBING
- \* WIDE SELECTION OF EXTERIOR PULL HANDLES ARE AVAILABLE
- \* STANDARD CONFIGURATIONS AVAILABLE FOR PANIC HANDLES
- \* PA300 PANICS ARE COMPATIBLE WITH ELECTRIC STRIKES
- \* STANDARD CONFIGURATIONS ONLY AVAILABLE FOR PA310
- \* ALL PANICS COME WITH A DOGGING FEATURE
- \* ALL CONFIGURATIONS AVAILABLE WITH OR WITHOUT KEYED ACCESS DEVICES
- \* AVAILABLE IN POLISHED AND BRUSHED STAINLESS STEEL, SATIN AND POLISHED BRASS, AND OIL RUBBED BRONZE

Revisions By:

**CRL**

2503 E. Vernon Avenue, Los Angeles, CA 90058-1897  
 PH (800)-421-6144 FX: 800-587-7501 www.crlaurence.com

Description:

CRL BLUMCRAFT  
 PA300 PANIC HANDLE  
 FOR 1/2" AND 3/4" GLASS

Drawn By: NW

Date: 04/02/20

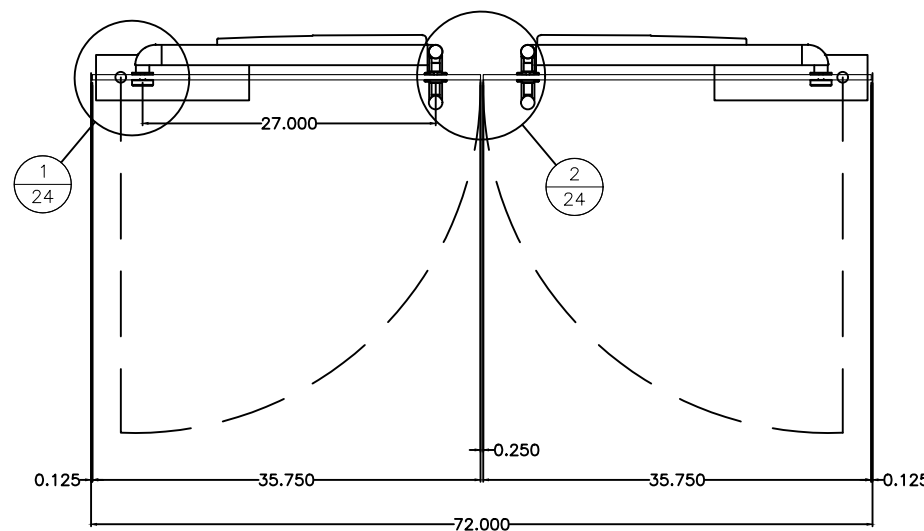
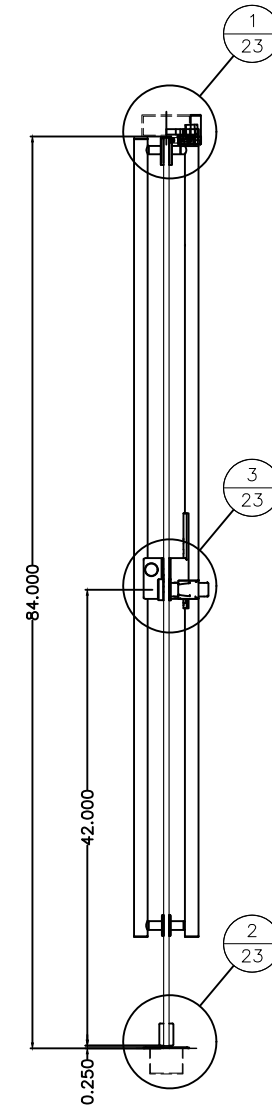
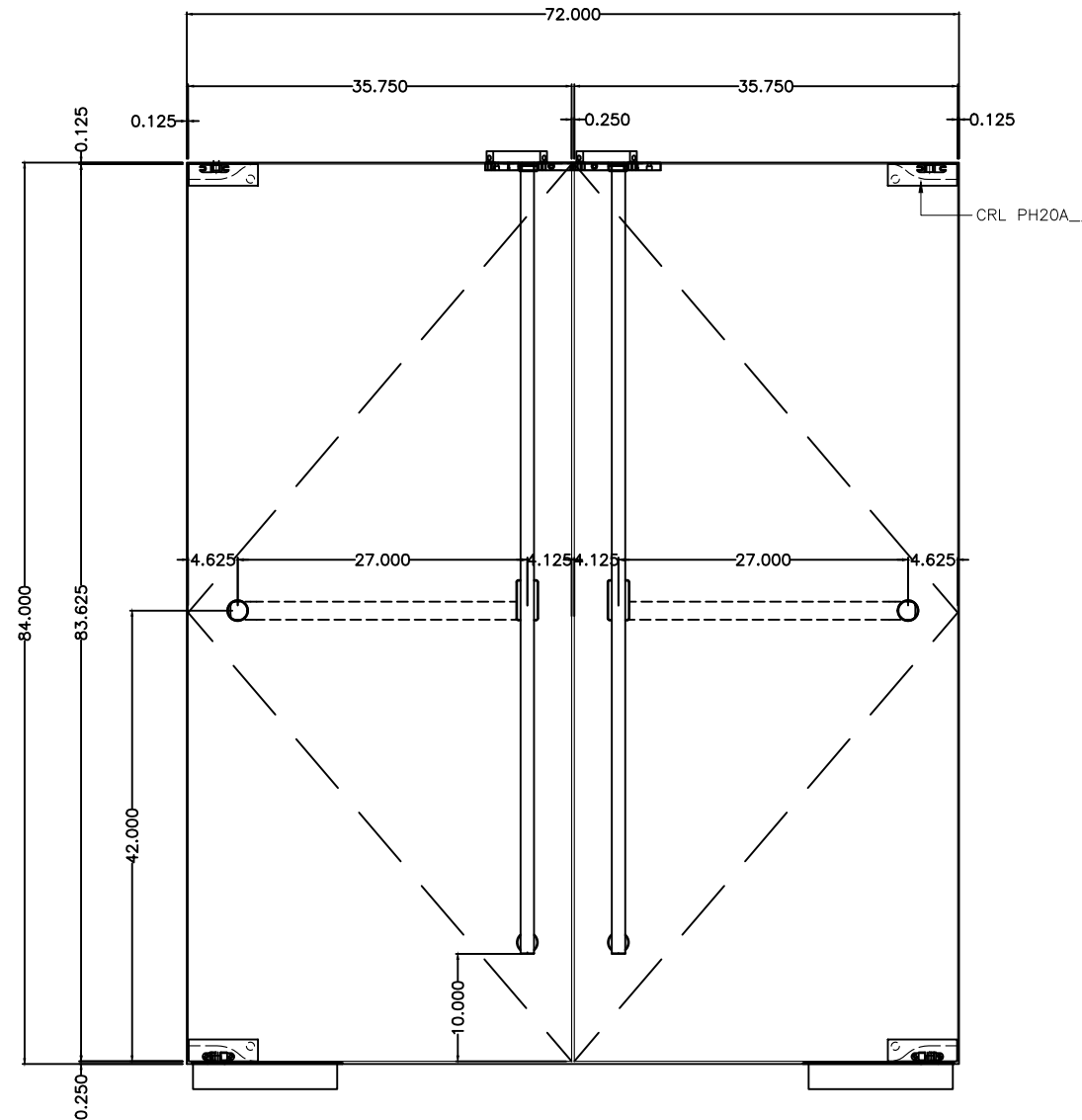
Scale:

File Name: WLDRLR3812.dwg

Sheet

2

BLUMCRAFT PA300 SERIES PANIC HANDLE



- \* HARDWARE FABRICATED FROM 1 1/4" DIAMETER STAINLESS STEEL OR ARCHITECTURAL BRONZE TUBING
- \* WIDE SELECTION OF EXTERIOR PULL HANDLES ARE AVAILABLE
- \* STANDARD CONFIGURATIONS AVAILABLE FOR PANIC HANDLES
- \* PA300 PANICS ARE COMPATIBLE WITH ELECTRIC STRIKES
- \* STANDARD CONFIGURATIONS ONLY AVAILABLE FOR PA310
- \* ALL PANICS COME WITH A DOGGING FEATURE
- \* ALL CONFIGURATIONS AVAILABLE WITH OR WITHOUT KEYED ACCESS DEVICES
- \* AVAILABLE IN POLISHED AND BRUSHED STAINLESS STEEL, SATIN AND POLISHED BRASS, AND OIL RUBBED BRONZE

CRL - BLUMCRAFT PANIC HANDLE SIZE LIMITATION  
DOOR HEIGHTS

EXTERIOR  
- 96" (2.44M) FOR 1/2" (12MM) GLASS THICKNESS  
- 102" (2.59M) FOR 3/4" (19MM) GLASS THICKNESS

INTERIOR  
- 102" (2.59M) FOR 1/2" (12MM) GLASS THICKNESS  
- 108" (2.74M) FOR 3/4" (19MM) GLASS THICKNESS

EXCEPTION  
- WHEN USING "F"-STYLE EXTERIOR HANDLE  
- 108" (2.74M) FOR 1/2" (12MM) OR 3/4" (19MM) GLASS THICKNESS

GLASS APPLICATION  
1/2" (13mm) GLASS  
3/4" (19 mm) GLASS

1 PA310 FS PANIC HANDLE WITH GLASS MOUNT  
1-1/2" = 1'-0" ARCH. REF.:

Revisions By:

**CRL**

2503 E. Vernon Avenue, Los Angeles, CA 90058-1897  
PH (800)-421-6144 FX: 800-587-7501 www.crlaurence.com

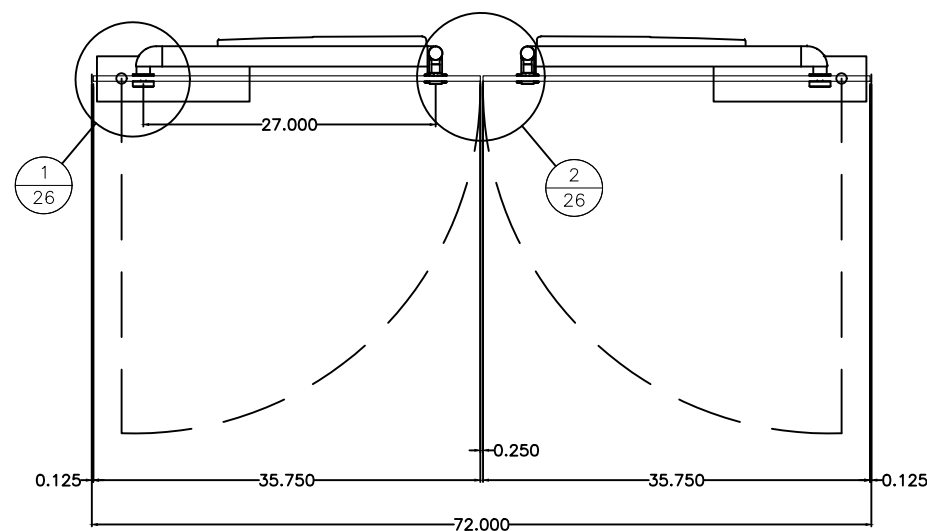
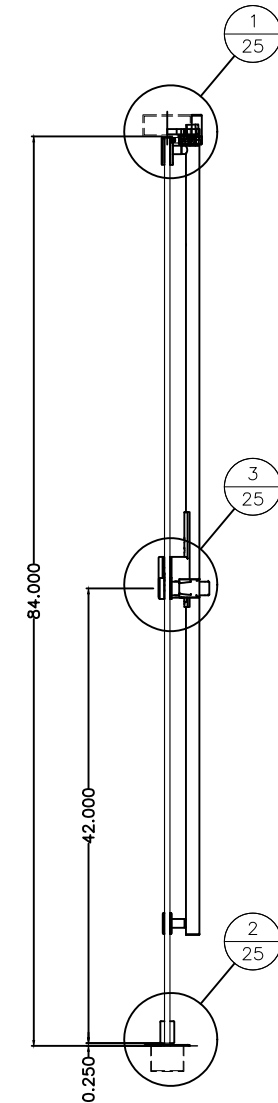
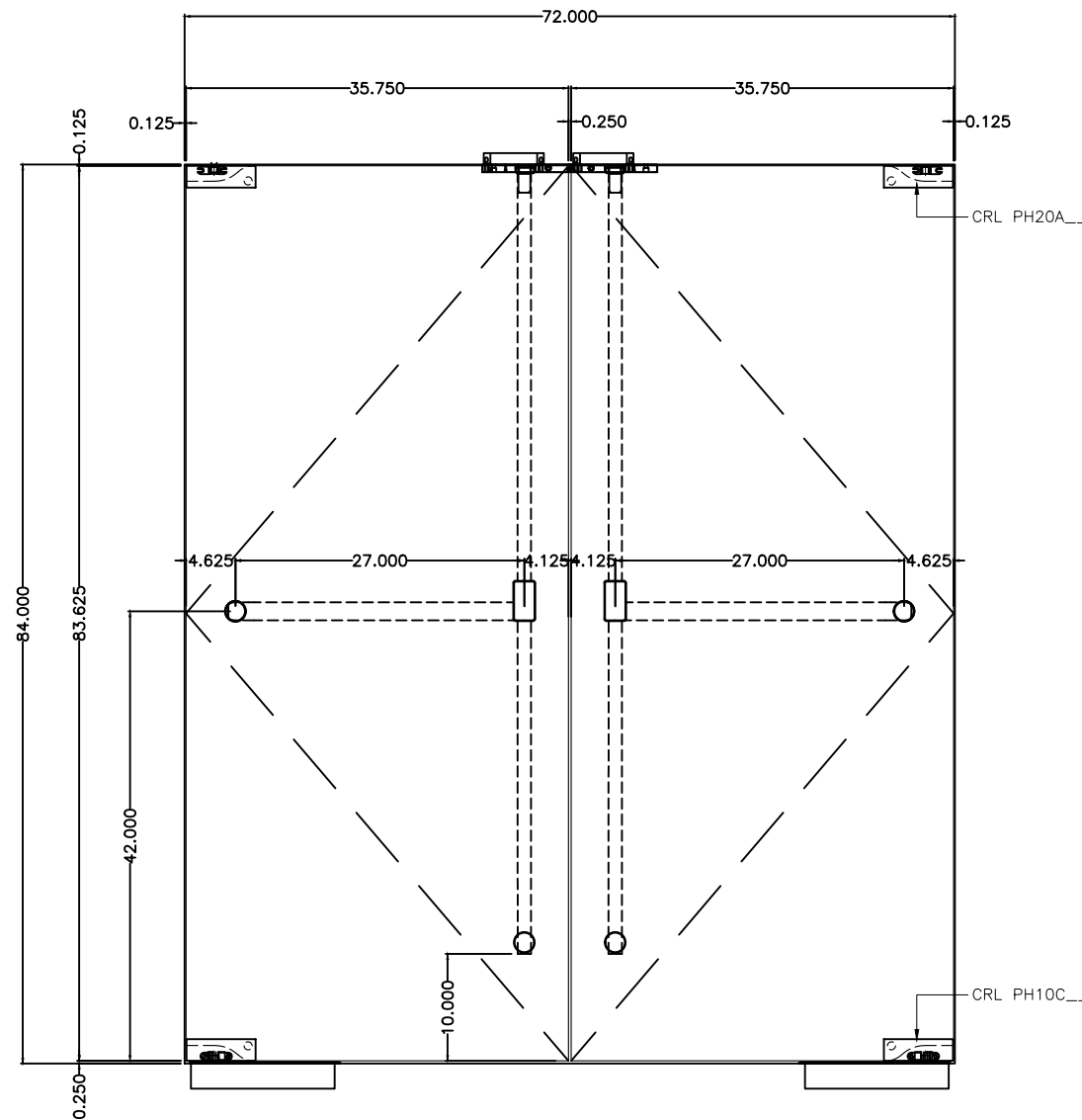
Description:  
CRL BLUMCRAFT  
PA300 PANIC HANDLE  
FOR 1/2" AND 3/4" GLASS

Drawn By: NW  
Date: 04/02/20  
Scale:  
File Name: WLDRLSR3812.dwg

Sheet

3

BLUMCRAFT PA300 SERIES PANIC HANDLE



- \* HARDWARE FABRICATED FROM 1 1/4" DIAMETER STAINLESS STEEL OR ARCHITECTURAL BRONZE TUBING
- \* WIDE SELECTION OF EXTERIOR PULL HANDLES ARE AVAILABLE
- \* STANDARD CONFIGURATIONS AVAILABLE FOR PANIC HANDLES
- \* PA300 PANICS ARE COMPATIBLE WITH ELECTRIC STRIKES
- \* STANDARD CONFIGURATIONS ONLY AVAILABLE FOR PA310
- \* ALL PANICS COME WITH A DOGGING FEATURE
- \* ALL CONFIGURATIONS AVAILABLE WITH OR WITHOUT KEYED ACCESS DEVICES
- \* AVAILABLE IN POLISHED AND BRUSHED STAINLESS STEEL, SATIN AND POLISHED BRASS, AND OIL RUBBED BRONZE

CRL - BLUMCRAFT PANIC HANDLE SIZE LIMITATION DOOR HEIGHTS

EXTERIOR  
 - 96" (2.44M) FOR 1/2" (12MM) GLASS THICKNESS  
 - 102" (2.59M) FOR 3/4" (19MM) GLASS THICKNESS

INTERIOR  
 - 102" (2.59M) FOR 1/2" (12MM) GLASS THICKNESS  
 - 108" (2.74M) FOR 3/4" (19MM) GLASS THICKNESS

EXCEPTION  
 - WHEN USING "F"-STYLE EXTERIOR HANDLE  
 - 108" (2.74M) FOR 1/2" (12MM) OR 3/4" (19MM) GLASS THICKNESS

GLASS APPLICATION  
 1/2" (13mm) GLASS  
 3/4" (19 mm) GLASS

1 PA310 Z PANIC HANDLE WITH GLASS MOUNT  
 1-1/2" = 1'-0" ARCH. REF.:

Revisions By:

**CRL.**

2503 E. Vernon Avenue, Los Angeles, C.A. 90058-1897  
 PH: (800)-421-6144 FX: 800-587-7501 www.crlusa.com

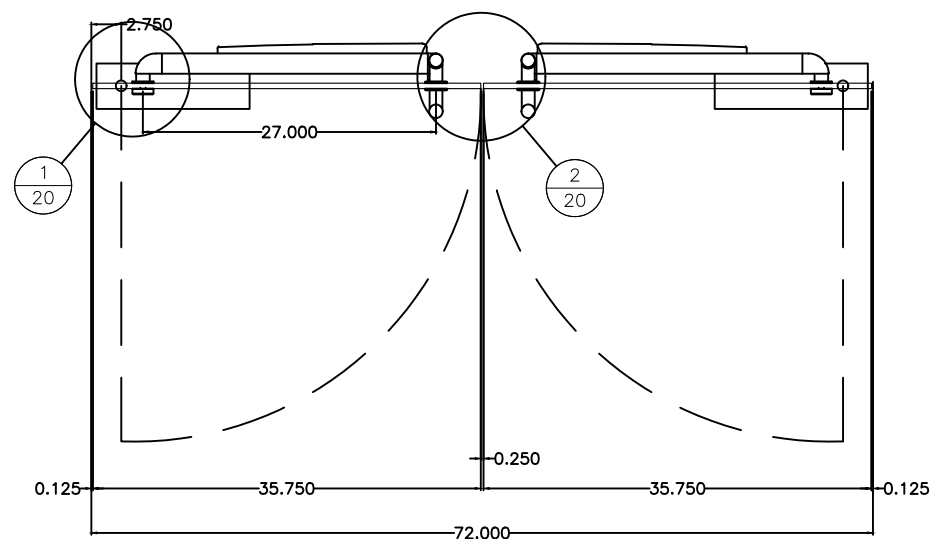
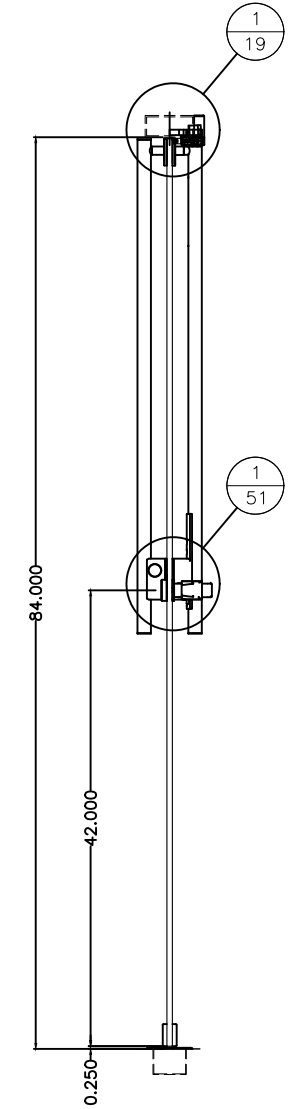
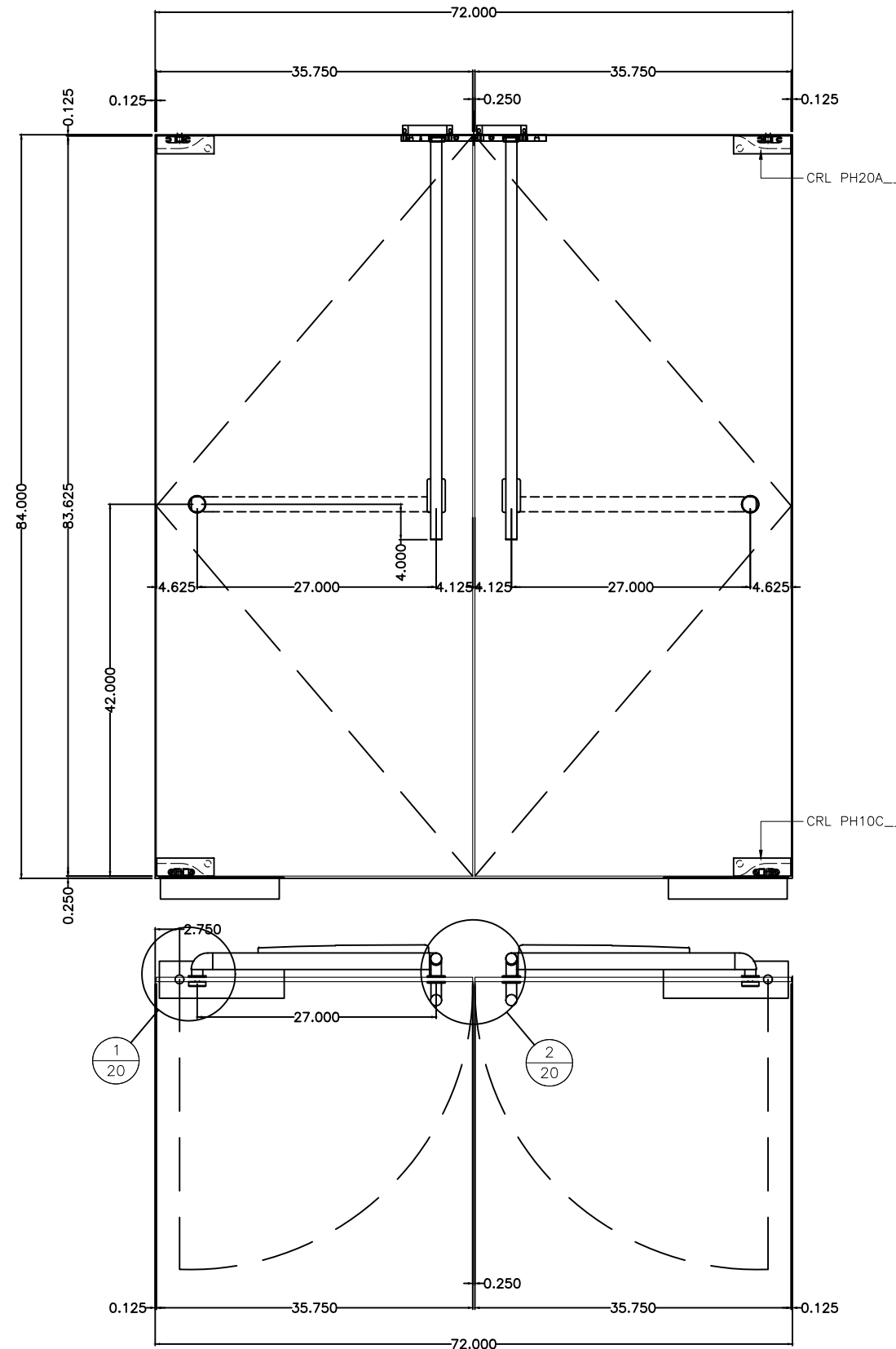
Description:  
 CRL BLUMCRAFT  
 PA300 PANIC HANDLE  
 FOR 1 1/2" AND 3/4" GLASS

Drawn By: NW  
 Date: 04/02/20  
 Scale: 1'-0" = 1'-0"  
 File Name: WDRSLR3812.dwg

Sheet

4

# BLUMCRAFT PA300 SERIES PANIC HANDLE



CRL - BLUMCRAFT PANIC HANDLE SIZE LIMITATION  
DOOR HEIGHTS

EXTERIOR  
- 96" (2.44M) FOR 1/2" (12MM) GLASS THICKNESS  
- 102" (2.59M) FOR 3/4" (19MM) GLASS THICKNESS

INTERIOR  
- 102" (2.59M) FOR 1/2" (12MM) GLASS THICKNESS  
- 108" (2.74M) FOR 3/4" (19MM) GLASS THICKNESS

EXCEPTION  
- WHEN USING "F"-STYLE EXTERIOR HANDLE  
- 108" (2.74M) FOR 1/2" (12MM) OR 3/4" (19MM) GLASS THICKNESS

GLASS APPLICATION  
1/2" (13mm) GLASS  
3/4" (19 mm) GLASS

## 1 PA320 JS PANIC HANDLE WITH GLASS MOUNT

1-1/2" = 1'-0" ARCH. REF.:

- \* HARDWARE FABRICATED FROM 1 1/4" DIAMETER STAINLESS STEEL OR ARCHITECTURAL BRONZE TUBING
- \* WIDE SELECTION OF EXTERIOR PULL HANDLES ARE AVAILABLE
- \* STANDARD CONFIGURATIONS AVAILABLE FOR PANIC HANDLES
- \* PA300 PANICS ARE COMPATIBLE WITH ELECTRIC STRIKES
- \* STANDARD CONFIGURATIONS ONLY AVAILABLE FOR PA310
- \* ALL PANICS COME WITH A DOGGING FEATURE
- \* ALL CONFIGURATIONS AVAILABLE WITH OR WITHOUT KEYED ACCESS DEVICES
- \* AVAILABLE IN POLISHED AND BRUSHED STAINLESS STEEL, SATIN AND POLISHED BRASS, AND OIL RUBBED BRONZE

Revisions By:

# CRL

2503 E. Vernon Avenue, Los Angeles, CA 90058-1897  
PH (800)-421-6144 FX: 800-587-7501 www.crlaurence.com

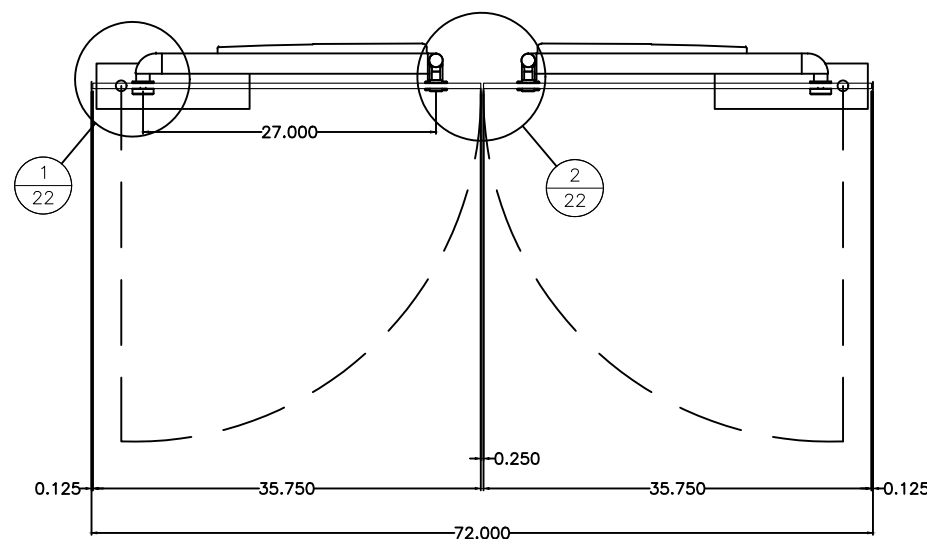
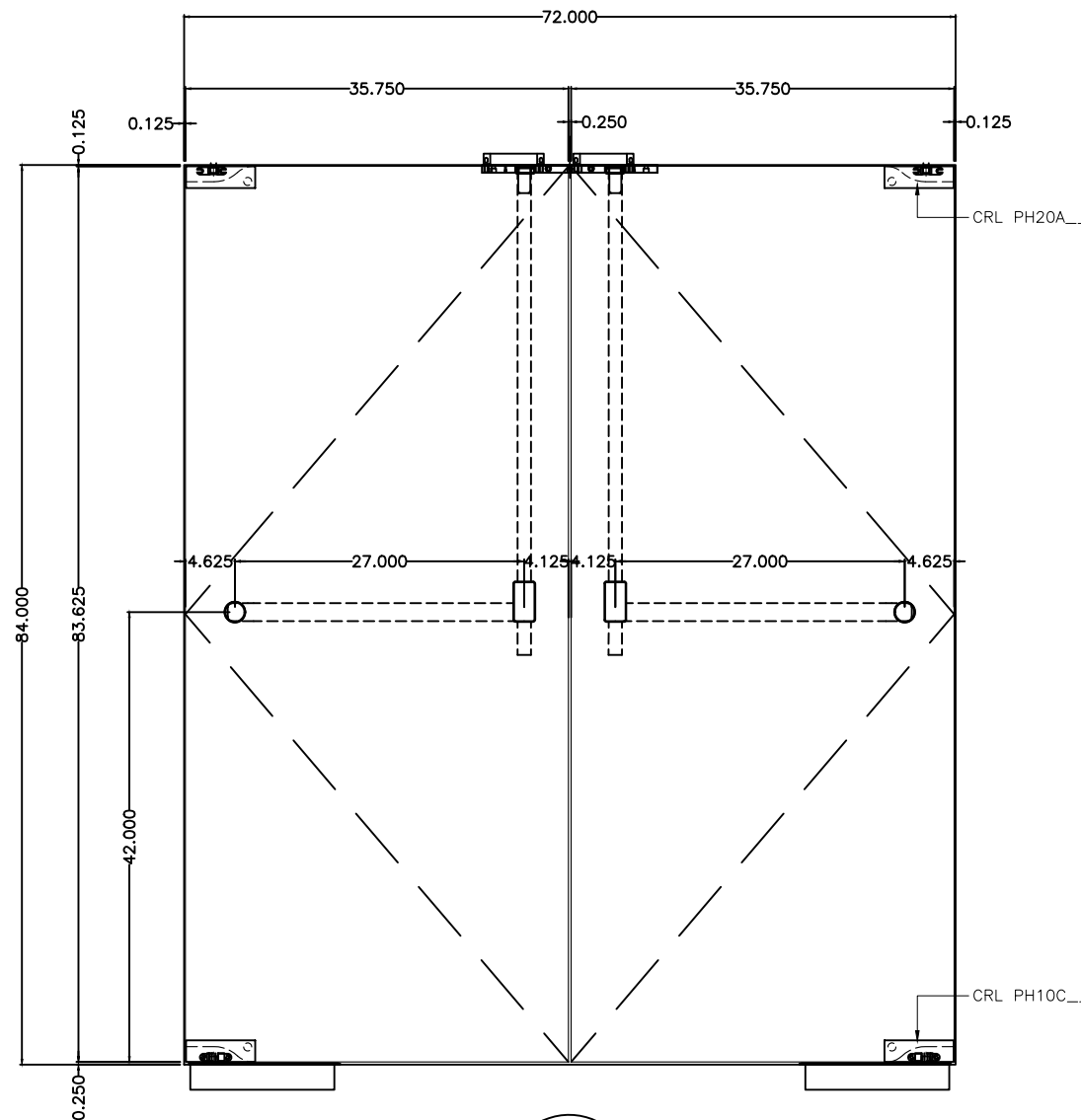
Description:  
CRL BLUMCRAFT  
PA300 PANIC HANDLE  
FOR 1/2" AND 3/4" GLASS

Drawn By: NW  
Date: 04/02/20  
Scale:  
File Name: WLDRLR3812.dwg

Sheet

5

# BLUMCRAFT PA300 SERIES PANIC HANDLE



CRL - BLUMCRAFT PANIC HANDLE SIZE LIMITATION  
DOOR HEIGHTS

EXTERIOR  
- 96" (2.44M) FOR 1/2" (12MM) GLASS THICKNESS  
- 102" (2.59M) FOR 3/4" (19MM) GLASS THICKNESS

INTERIOR  
- 102" (2.59M) FOR 1/2" (12MM) GLASS THICKNESS  
- 108" (2.74M) FOR 3/4" (19MM) GLASS THICKNESS

EXCEPTION  
- WHEN USING "F"-STYLE EXTERIOR HANDLE  
- 108" (2.74M) FOR 1/2" (12MM) OR 3/4" (19MM) GLASS THICKNESS

GLASS APPLICATION  
1/2" (13mm) GLASS  
3/4" (19 mm) GLASS

## 1 PA320 Z PANIC HANDLE WITH GLASS MOUNT

1-1/2" = 1'-0"

ARCH. REF.:

- \* HARDWARE FABRICATED FROM 1 1/4" DIAMETER STAINLESS STEEL OR ARCHITECTURAL BRONZE TUBING
- \* WIDE SELECTION OF EXTERIOR PULL HANDLES ARE AVAILABLE
- \* STANDARD CONFIGURATIONS AVAILABLE FOR PANIC HANDLES
- \* PA300 PANICS ARE COMPATIBLE WITH ELECTRIC STRIKES
- \* STANDARD CONFIGURATIONS ONLY AVAILABLE FOR PA310
- \* ALL PANICS COME WITH A DOGGING FEATURE
- \* ALL CONFIGURATIONS AVAILABLE WITH OR WITHOUT KEYED ACCESS DEVICES
- \* AVAILABLE IN POLISHED AND BRUSHED STAINLESS STEEL, SATIN AND POLISHED BRASS, AND OIL RUBBED BRONZE

Revisions By:

**CRL**

2503 E. Vernon Avenue, Los Angeles, CA 90058-1897  
PH (800)-421-6144 FX: 800-587-7501 www.crlaurence.com

Description:

CRL BLUMCRAFT  
PA300 PANIC HANDLE  
FOR 1/2" AND 3/4" GLASS

Drawn By: NW

Date: 04/02/20

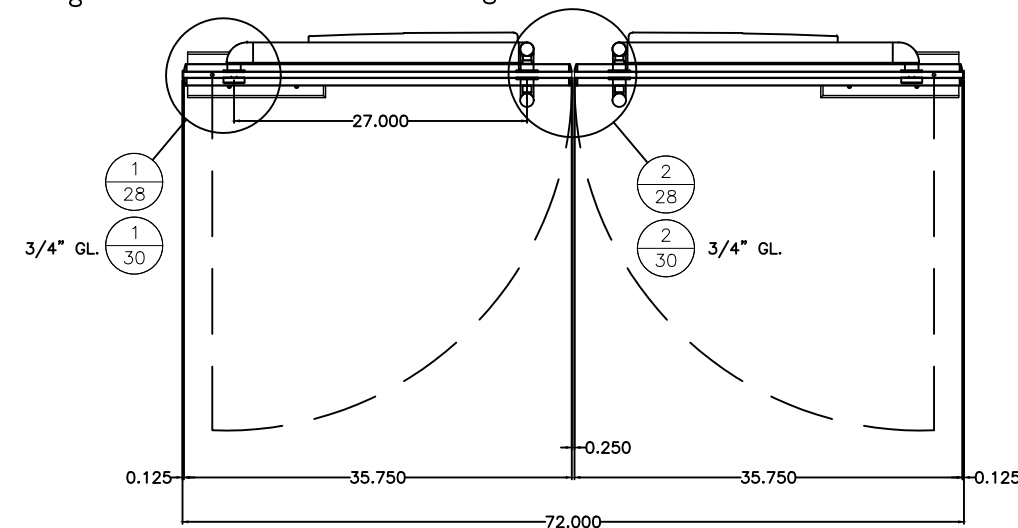
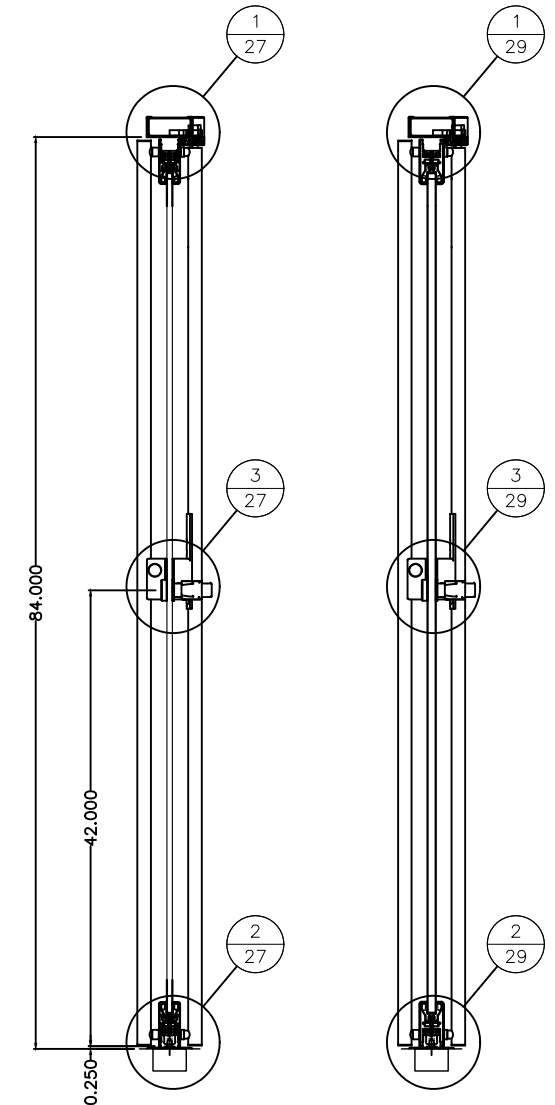
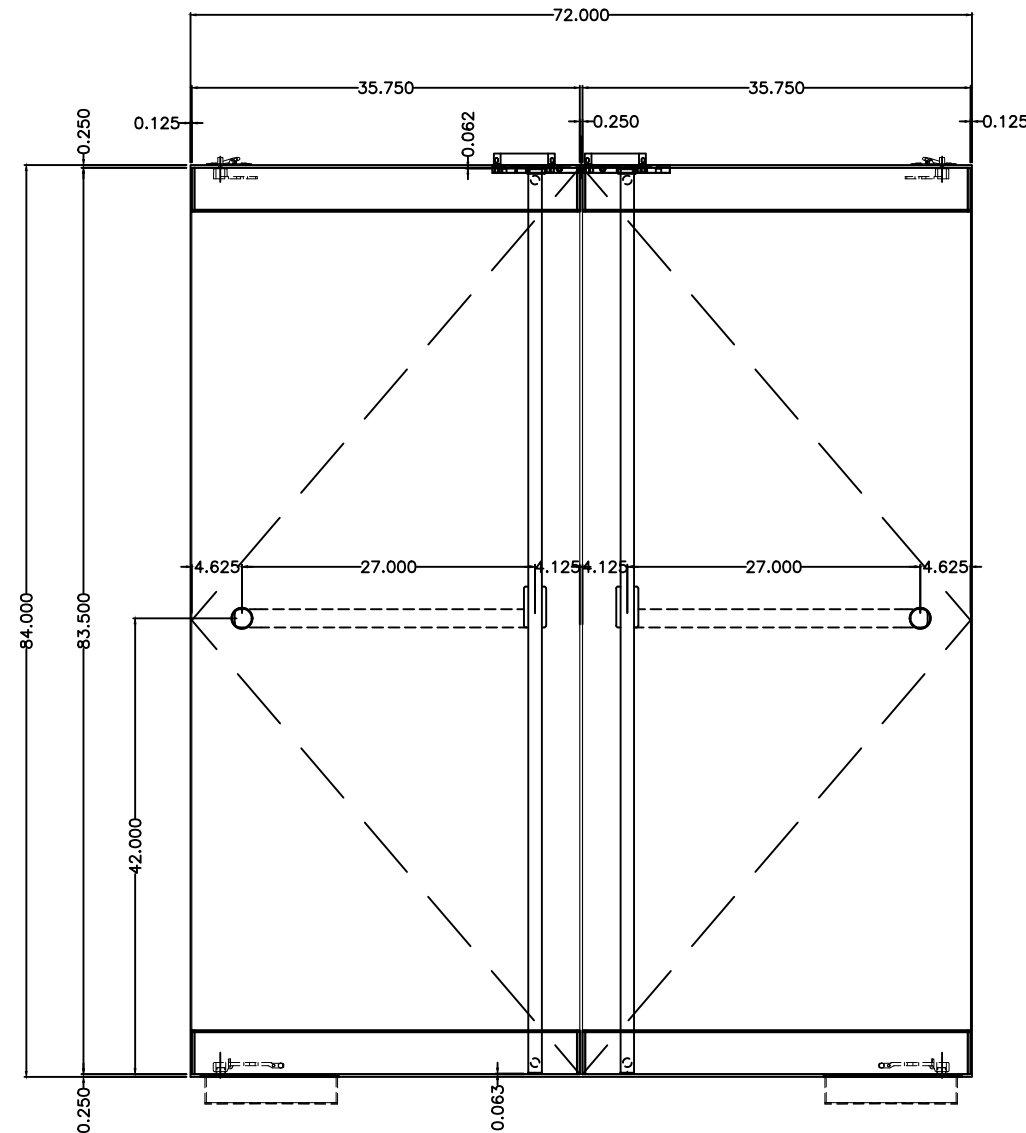
Scale:

File Name: WLDRLR3812.dwg

Sheet

6

BLUMCRAFT PA300 SERIES PANIC HANDLE



CRL - BLUMCRAFT PANIC HANDLE SIZE LIMITATION  
DOOR HEIGHTS

EXTERIOR  
- 96" (2.44M) FOR 1/2" (12MM) GLASS THICKNESS  
- 102" (2.59M) FOR 3/4" (19MM) GLASS THICKNESS

INTERIOR  
- 102" (2.59M) FOR 1/2" (12MM) GLASS THICKNESS  
- 108" (2.74M) FOR 3/4" (19MM) GLASS THICKNESS

EXCEPTION  
- WHEN USING "F"-STYLE EXTERIOR HANDLE  
- 108" (2.74M) FOR 1/2" (12MM) OR 3/4" (19MM) GLASS THICKNESS

RAIL APPLICATION  
1/2" (13mm) GLASS  
3/4" (19 mm) GLASS

1 PA300 F PANIC HANDLE WITH RAIL MOUNT  
1-1/2" = 1'-0" ARCH. REF.:

- \* HARDWARE FABRICATED FROM 1 1/4" DIAMETER STAINLESS STEEL OR ARCHITECTURAL BRONZE TUBING
- \* WIDE SELECTION OF EXTERIOR PULL HANDLES ARE AVAILABLE
- \* STANDARD CONFIGURATIONS AVAILABLE FOR PANIC HANDLES
- \* PA300 PANICS ARE COMPATIBLE WITH ELECTRIC STRIKES
- \* STANDARD CONFIGURATIONS AVAILABLE FOR PA310
- \* ALL PANICS COME WITH A DOGGING FEATURE
- \* ALL CONFIGURATIONS AVAILABLE WITH OR WITHOUT KEYED ACCESS DEVICES
- \* AVAILABLE IN POLISHED AND BRUSHED STAINLESS STEEL, SATIN AND POLISHED BRASS, AND OIL RUBBED BRONZE

Revisions By:

**CRL**

2503 E. Vernon Avenue, Los Angeles, CA 90058-1897  
PH (800)-421-6144 FX: 800-587-7501 www.crlaurence.com

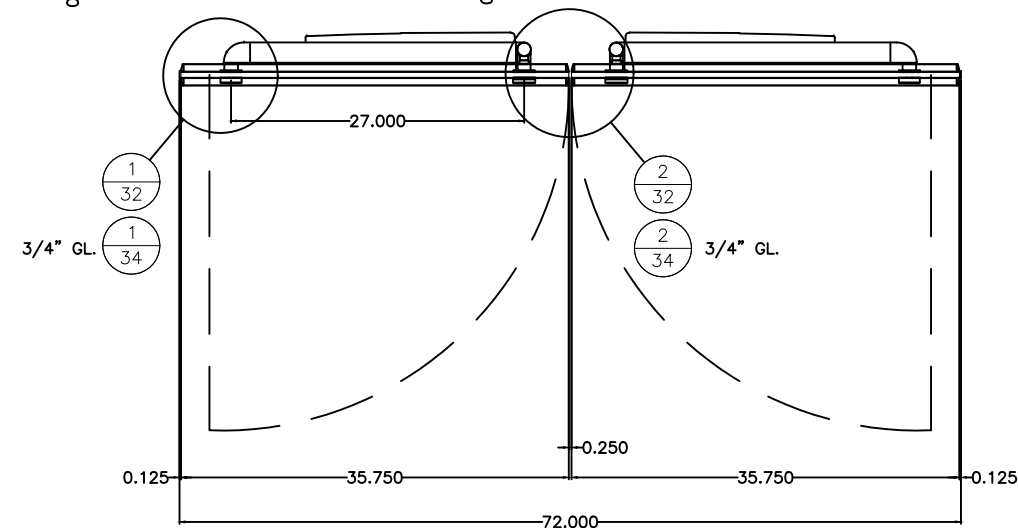
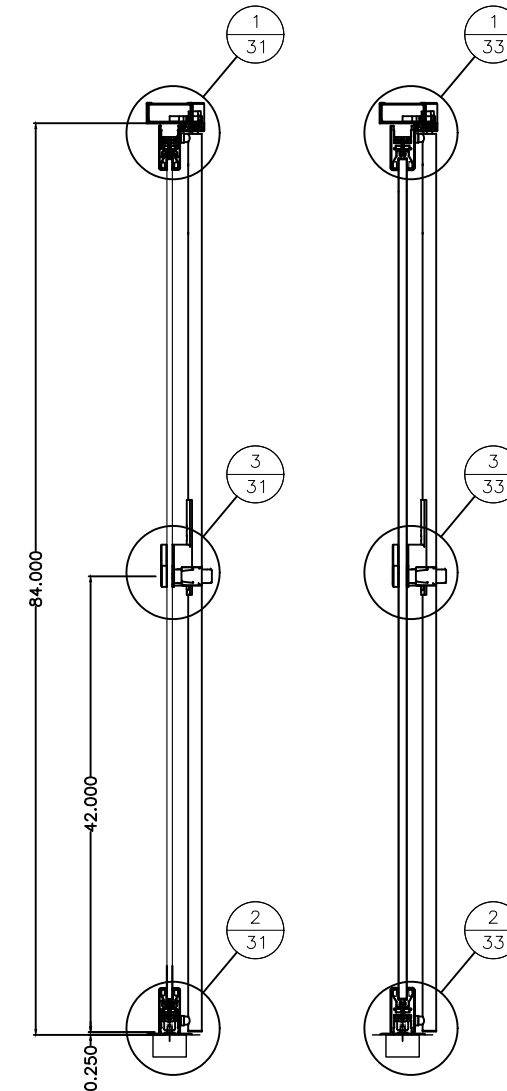
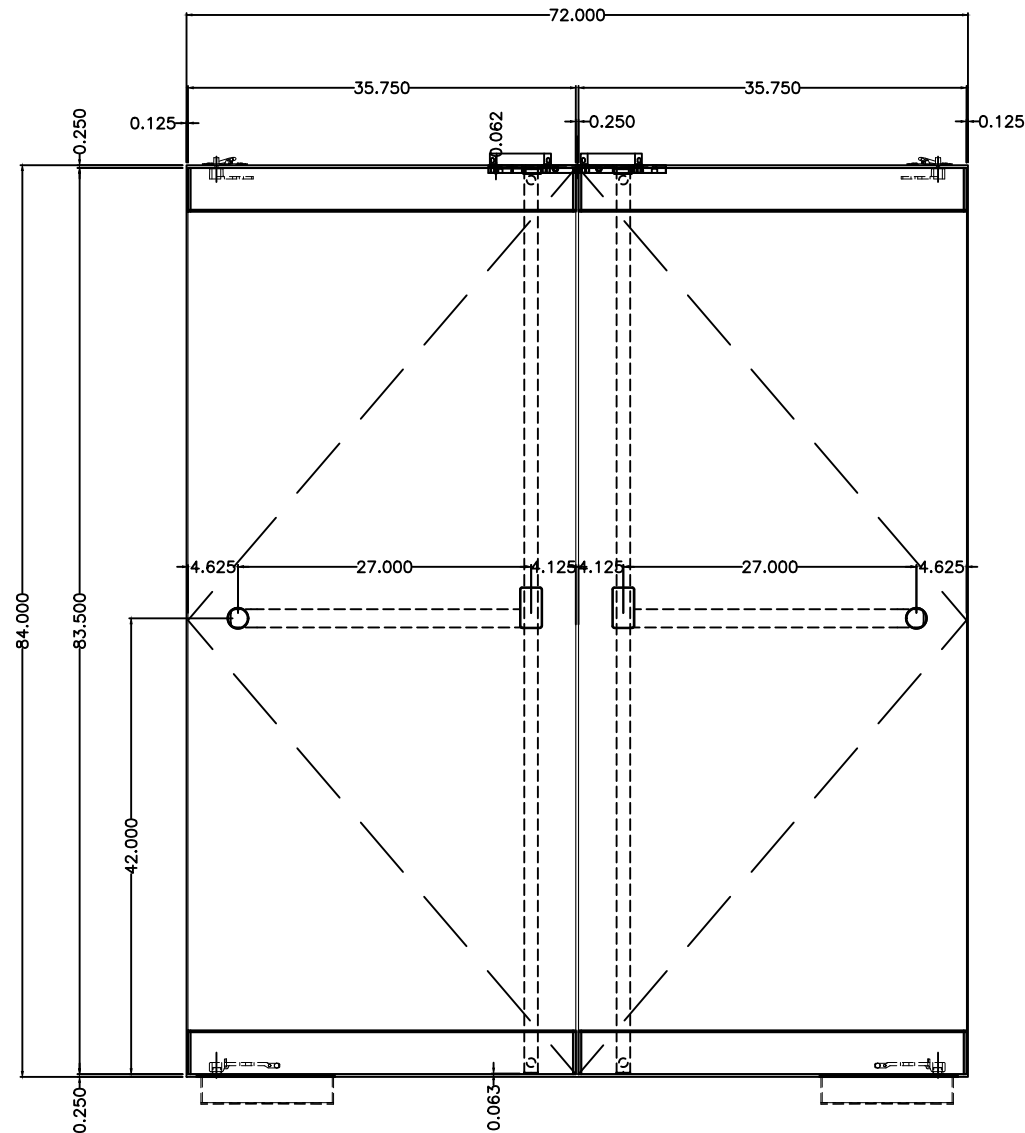
Description:  
CRL BLUMCRAFT  
PA300 PANIC HANDLE  
FOR 1/2" AND 3/4" GLASS

Drawn By: NW  
Date: 04/02/20  
Scale:  
File Name: WLDRLR3812.dwg

Sheet

7

BLUMCRAFT PA300 SERIES PANIC HANDLE



CRL - BLUMCRAFT PANIC HANDLE SIZE LIMITATION  
DOOR HEIGHTS

EXTERIOR  
- 96" (2.44M) FOR 1/2" (12MM) GLASS THICKNESS  
- 102" (2.59M) FOR 3/4" (19MM) GLASS THICKNESS

INTERIOR  
- 102" (2.59M) FOR 1/2" (12MM) GLASS THICKNESS  
- 108" (2.74M) FOR 3/4" (19MM) GLASS THICKNESS

EXCEPTION  
- WHEN USING "F"-STYLE EXTERIOR HANDLE  
- 108" (2.74M) FOR 1/2" (12MM) OR 3/4" (19MM) GLASS THICKNESS

RAIL APPLICATION  
1/2" (13mm) GLASS  
3/4" (19 mm) GLASS

1 PA300 Z PANIC HANDLE WITH RAIL MOUNT  
1-1/2" = 1'-0" ARCH. REF.:

- \* HARDWARE FABRICATED FROM 1 1/4" DIAMETER STAINLESS STEEL OR ARCHITECTURAL BRONZE TUBING
- \* WIDE SELECTION OF EXTERIOR PULL HANDLES ARE AVAILABLE
- \* STANDARD CONFIGURATIONS AVAILABLE FOR PANIC HANDLES
- \* PA300 PANICS ARE COMPATIBLE WITH ELECTRIC STRIKES
- \* STANDARD CONFIGURATIONS AVAILABLE FOR PA310
- \* ALL PANICS COME WITH A DOGGING FEATURE
- \* ALL CONFIGURATIONS AVAILABLE WITH OR WITHOUT KEYED ACCESS DEVICES
- \* AVAILABLE IN POLISHED AND BRUSHED STAINLESS STEEL, SATIN AND POLISHED BRASS, AND OIL RUBBED BRONZE

Revisions By:

**CRL**

2503 E. Vernon Avenue, Los Angeles, CA 90058-1897  
PH (800)-421-6144 FX: 800-587-7501 www.crlaurence.com

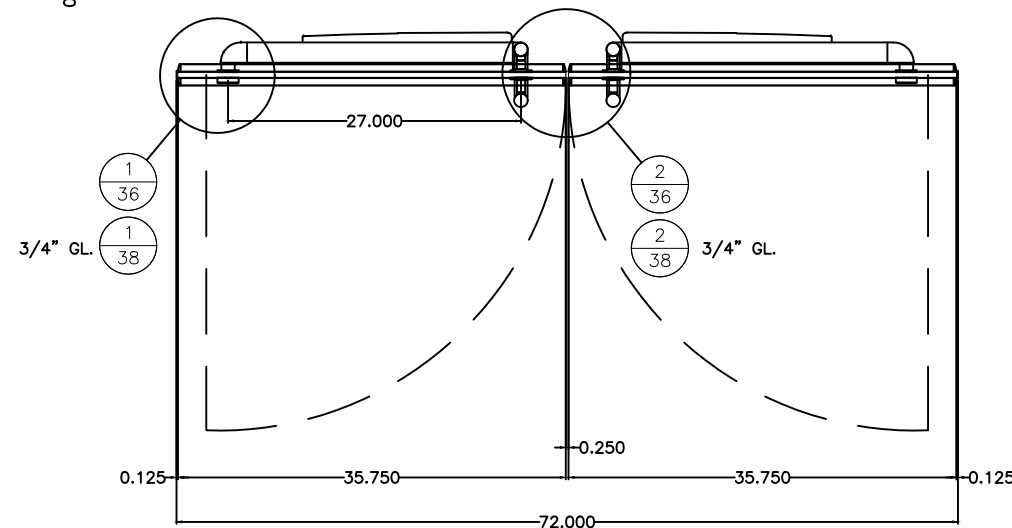
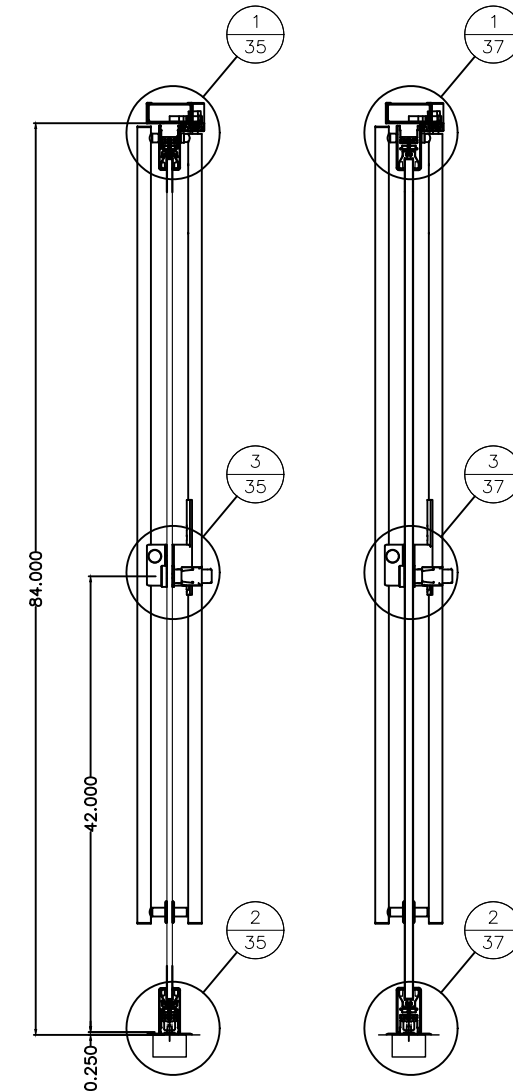
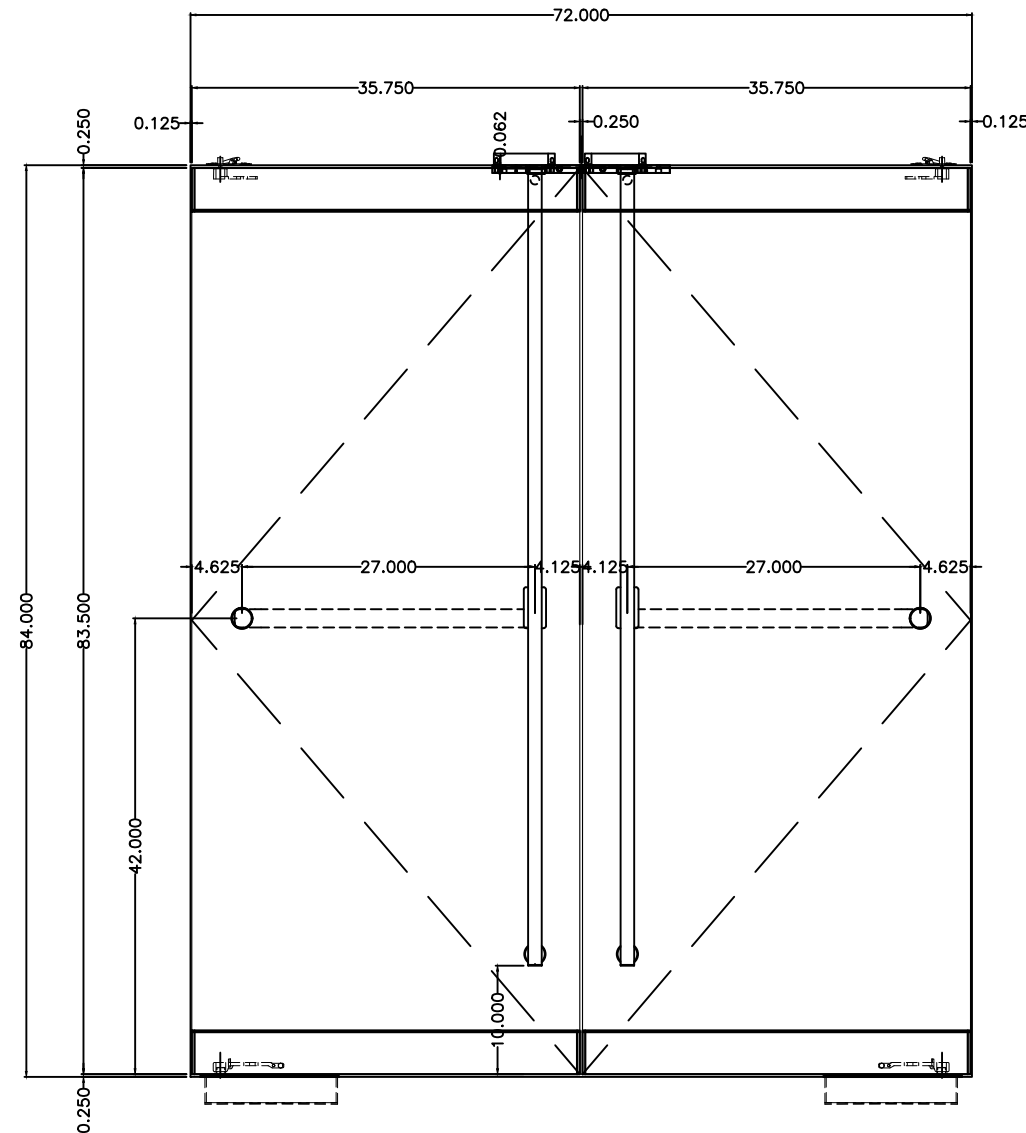
Description:  
CRL BLUMCRAFT  
PA300 PANIC HANDLE  
FOR 1/2" AND 3/4" GLASS

Drawn By: NW  
Date: 04/02/20  
Scale:  
File Name: WLDRLR3812.dwg

Sheet



BLUMCRAFT PA300 SERIES PANIC HANDLE



CRL - BLUMCRAFT PANIC HANDLE SIZE LIMITATION  
DOOR HEIGHTS

EXTERIOR  
- 96" (2.44M) FOR 1/2" (12MM) GLASS THICKNESS  
- 102" (2.59M) FOR 3/4" (19MM) GLASS THICKNESS

INTERIOR  
- 102" (2.59M) FOR 1/2" (12MM) GLASS THICKNESS  
- 108" (2.74M) FOR 3/4" (19MM) GLASS THICKNESS

EXCEPTION  
- WHEN USING "F"-STYLE EXTERIOR HANDLE  
- 108" (2.74M) FOR 1/2" (12MM) OR 3/4" (19MM) GLASS THICKNESS

RAIL APPLICATION  
1/2" (13mm) GLASS  
3/4" (19 mm) GLASS

**1** PA310 FS PANIC HANDLE WITH RAIL MOUNT  
1-1/2" = 1'-0" ARCH. REF.:

- \* HARDWARE FABRICATED FROM 1 1/4" DIAMETER STAINLESS STEEL OR ARCHITECTURAL BRONZE TUBING
- \* WIDE SELECTION OF EXTERIOR PULL HANDLES ARE AVAILABLE
- \* STANDARD CONFIGURATIONS AVAILABLE FOR PANIC HANDLES
- \* PA300 PANICS ARE COMPATIBLE WITH ELECTRIC STRIKES
- \* STANDARD CONFIGURATIONS AVAILABLE FOR PA310
- \* ALL PANICS COME WITH A DOGGING FEATURE
- \* ALL CONFIGURATIONS AVAILABLE WITH OR WITHOUT KEYED ACCESS DEVICES
- \* AVAILABLE IN POLISHED AND BRUSHED STAINLESS STEEL, SATIN AND POLISHED BRASS, AND OIL RUBBED BRONZE

Revisions By:

**CRL**

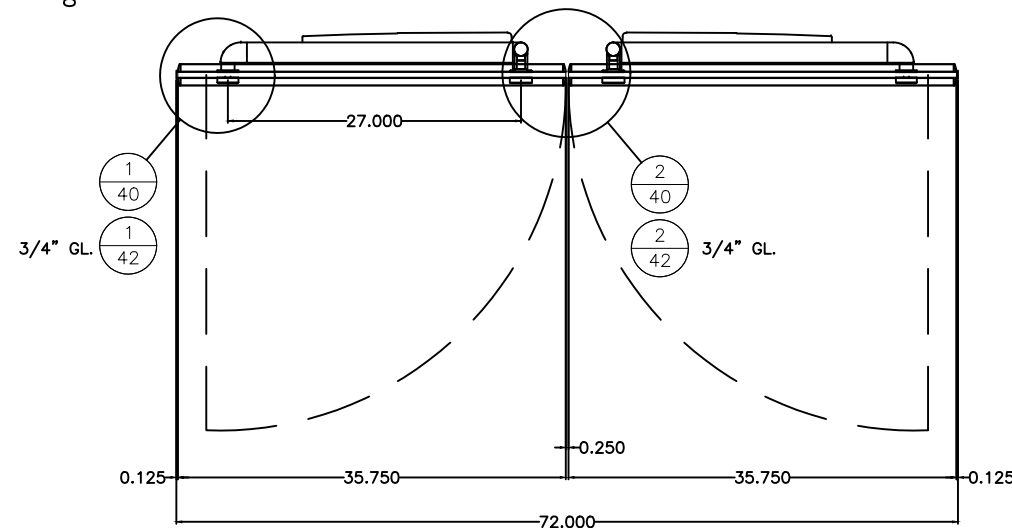
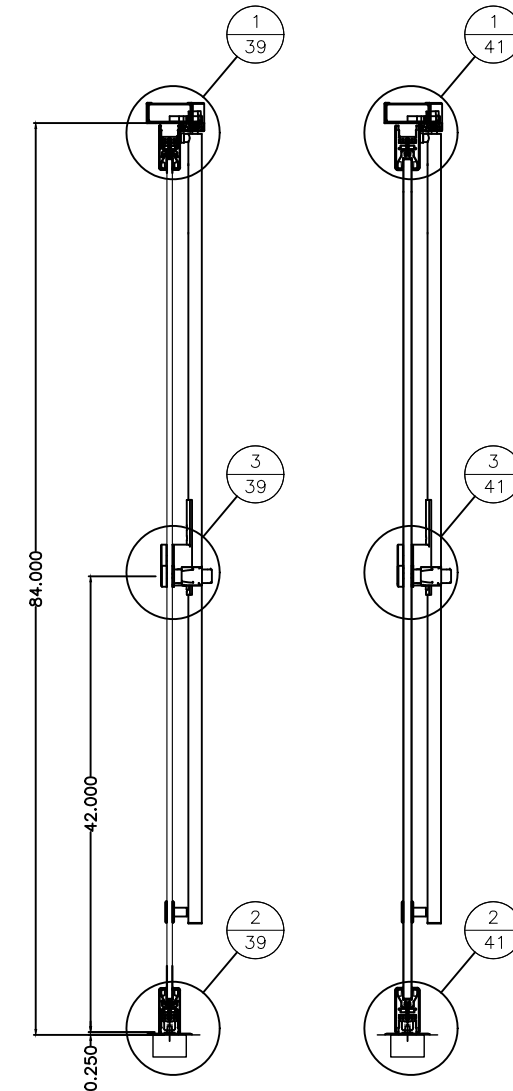
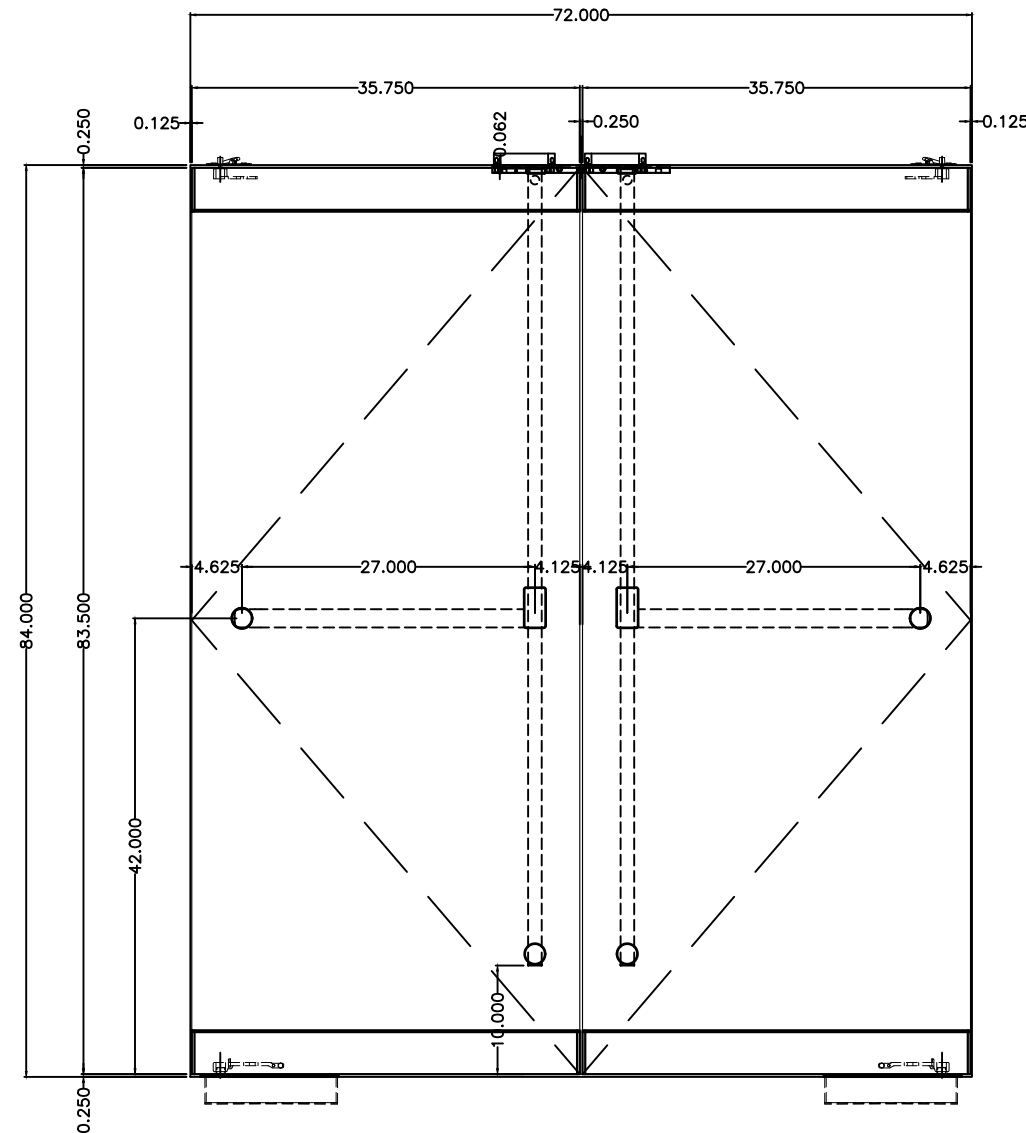
2503 E. Vernon Avenue, Los Angeles, CA 90058-1897  
PH (800)-421-6144 FX: 800-587-7501 www.crlaurence.com

Description:  
CRL BLUMCRAFT  
PA300 PANIC HANDLE  
FOR 1/2" AND 3/4" GLASS

Drawn By: NW  
Date: 04/02/20  
Scale:  
File Name: WLDRLR3812.dwg

Sheet

BLUMCRAFT PA300 SERIES PANIC HANDLE



CRL - BLUMCRAFT PANIC HANDLE SIZE LIMITATION  
DOOR HEIGHTS

EXTERIOR  
- 96" (2.44M) FOR 1/2" (12MM) GLASS THICKNESS  
- 102" (2.59M) FOR 3/4" (19MM) GLASS THICKNESS

INTERIOR  
- 102" (2.59M) FOR 1/2" (12MM) GLASS THICKNESS  
- 108" (2.74M) FOR 3/4" (19MM) GLASS THICKNESS

EXCEPTION  
- WHEN USING "F"-STYLE EXTERIOR HANDLE  
- 108" (2.74M) FOR 1/2" (12MM) OR 3/4" (19MM) GLASS THICKNESS

RAIL APPLICATION  
1/2" (13mm) GLASS  
3/4" (19 mm) GLASS

1 PA310 Z PANIC HANDLE WITH RAIL MOUNT  
1-1/2" = 1'-0"

ARCH. REF.:

- \* HARDWARE FABRICATED FROM 1 1/4" DIAMETER STAINLESS STEEL OR ARCHITECTURAL BRONZE TUBING
- \* WIDE SELECTION OF EXTERIOR PULL HANDLES ARE AVAILABLE
- \* STANDARD CONFIGURATIONS AVAILABLE FOR PANIC HANDLES
- \* PA300 PANICS ARE COMPATIBLE WITH ELECTRIC STRIKES
- \* STANDARD CONFIGURATIONS AVAILABLE FOR PA310
- \* ALL PANICS COME WITH A DOGGING FEATURE
- \* ALL CONFIGURATIONS AVAILABLE WITH OR WITHOUT KEYED ACCESS DEVICES
- \* AVAILABLE IN POLISHED AND BRUSHED STAINLESS STEEL, SATIN AND POLISHED BRASS, AND OIL RUBBED BRONZE

Revisions By:

**CRL**

2503 E. Vernon Avenue, Los Angeles, CA 90058-1897  
PH (800)-421-6144 FX: 800-587-7501 www.crlaurence.com

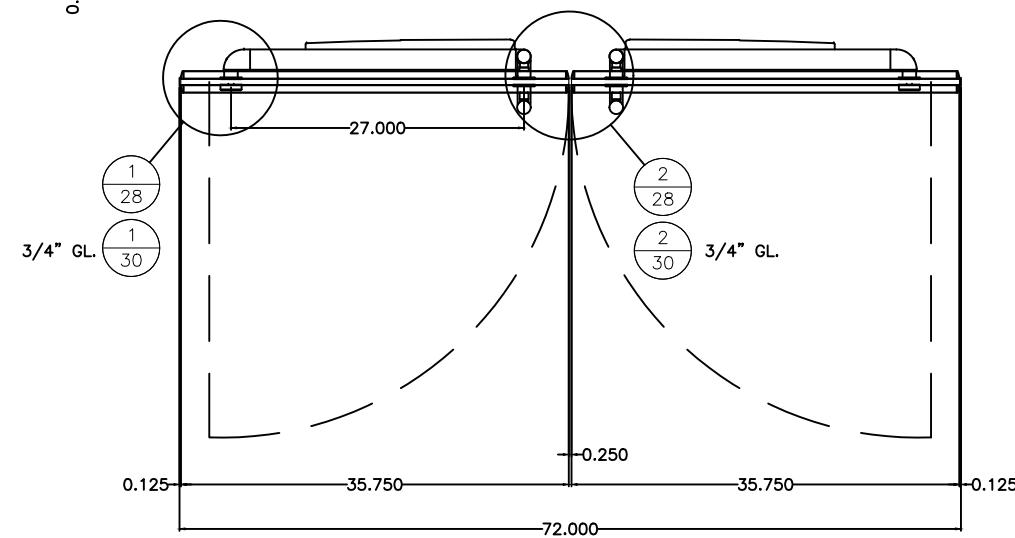
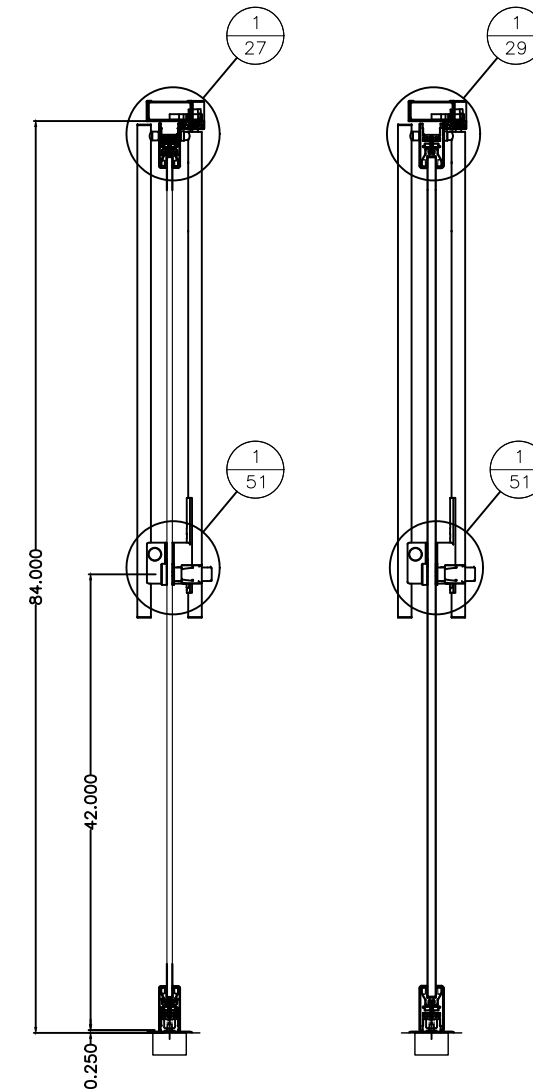
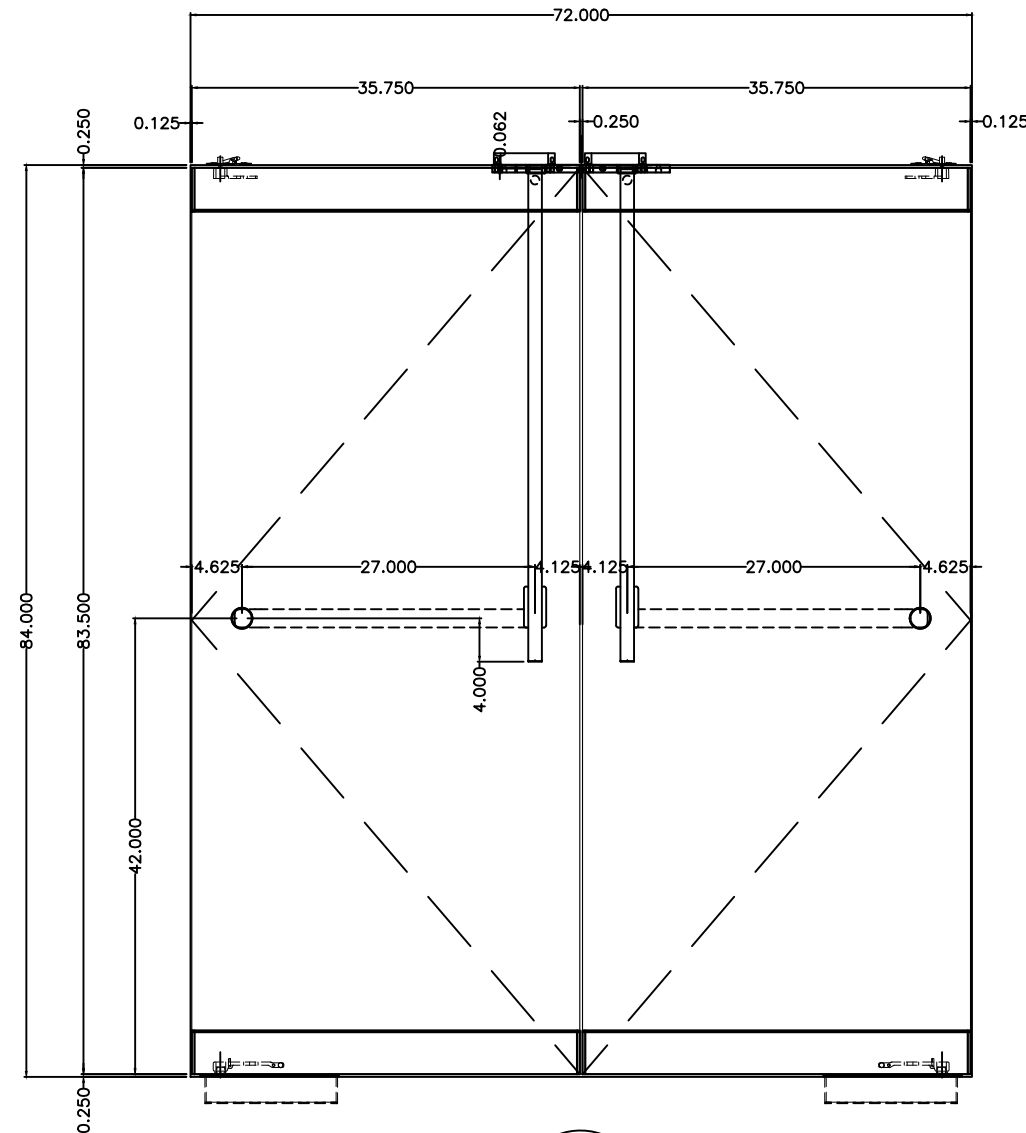
Description:  
CRL BLUMCRAFT  
PA300 PANIC HANDLE  
FOR 1/2" AND 3/4" GLASS

Drawn By: NW  
Date: 04/02/20  
Scale:  
File Name: WLDRLR3812.dwg

Sheet

10

BLUMCRAFT PA300 SERIES PANIC HANDLE



CRL - BLUMCRAFT PANIC HANDLE SIZE LIMITATION DOOR HEIGHTS

EXTERIOR  
 - 96" (2.44M) FOR 1/2" (12MM) GLASS THICKNESS  
 - 102" (2.59M) FOR 3/4" (19MM) GLASS THICKNESS

INTERIOR  
 - 102" (2.59M) FOR 1/2" (12MM) GLASS THICKNESS  
 - 108" (2.74M) FOR 3/4" (19MM) GLASS THICKNESS

EXCEPTION  
 - WHEN USING "F"-STYLE EXTERIOR HANDLE  
 - 108" (2.74M) FOR 1/2" (12MM) OR 3/4" (19MM) GLASS THICKNESS

RAIL APPLICATION  
 1/2" (13mm) GLASS  
 3/4" (19 mm) GLASS

1 PA320 JS PANIC HANDLE WITH RAIL MOUNT  
 1-1/2" = 1'-0" ARCH. REF.:

- \* HARDWARE FABRICATED FROM 1 1/4" DIAMETER STAINLESS STEEL OR ARCHITECTURAL BRONZE TUBING
- \* WIDE SELECTION OF EXTERIOR PULL HANDLES ARE AVAILABLE
- \* STANDARD CONFIGURATIONS AVAILABLE FOR PANIC HANDLES
- \* PA300 PANICS ARE COMPATIBLE WITH ELECTRIC STRIKES
- \* STANDARD CONFIGURATIONS AVAILABLE FOR PA310
- \* ALL PANICS COME WITH A DOGGING FEATURE
- \* ALL CONFIGURATIONS AVAILABLE WITH OR WITHOUT KEYED ACCESS DEVICES
- \* AVAILABLE IN POLISHED AND BRUSHED STAINLESS STEEL, SATIN AND POLISHED BRASS, AND OIL RUBBED BRONZE

Revisions By:

**CRL**

2503 E. Vernon Avenue, Los Angeles, CA 90058-1897  
 PH (800)-421-6144 FX: 800-587-7501 www.crlaurence.com

Description:

CRL BLUMCRAFT  
 PA300 PANIC HANDLE  
 FOR 1/2" AND 3/4" GLASS

Drawn By: NW

Date: 04/02/20

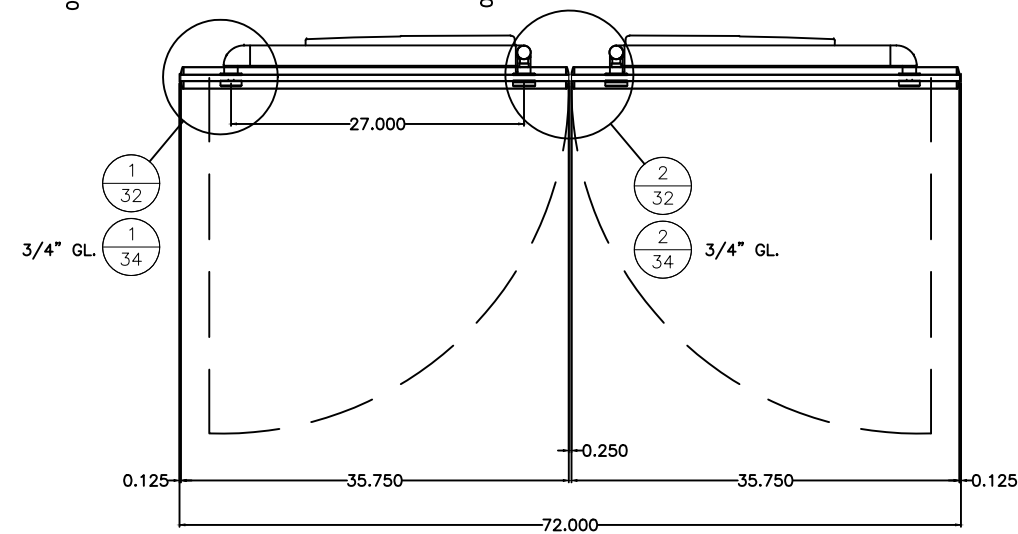
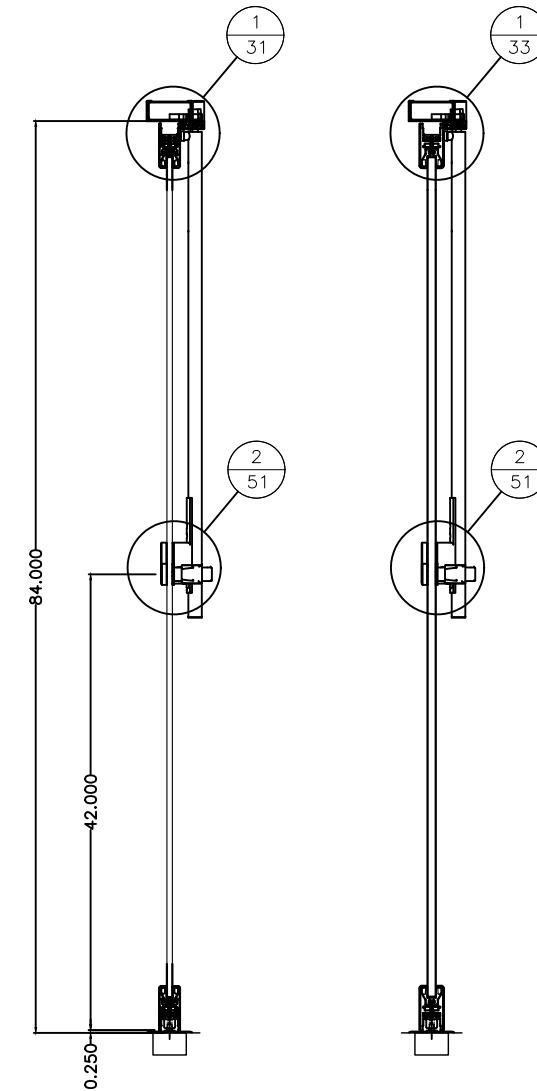
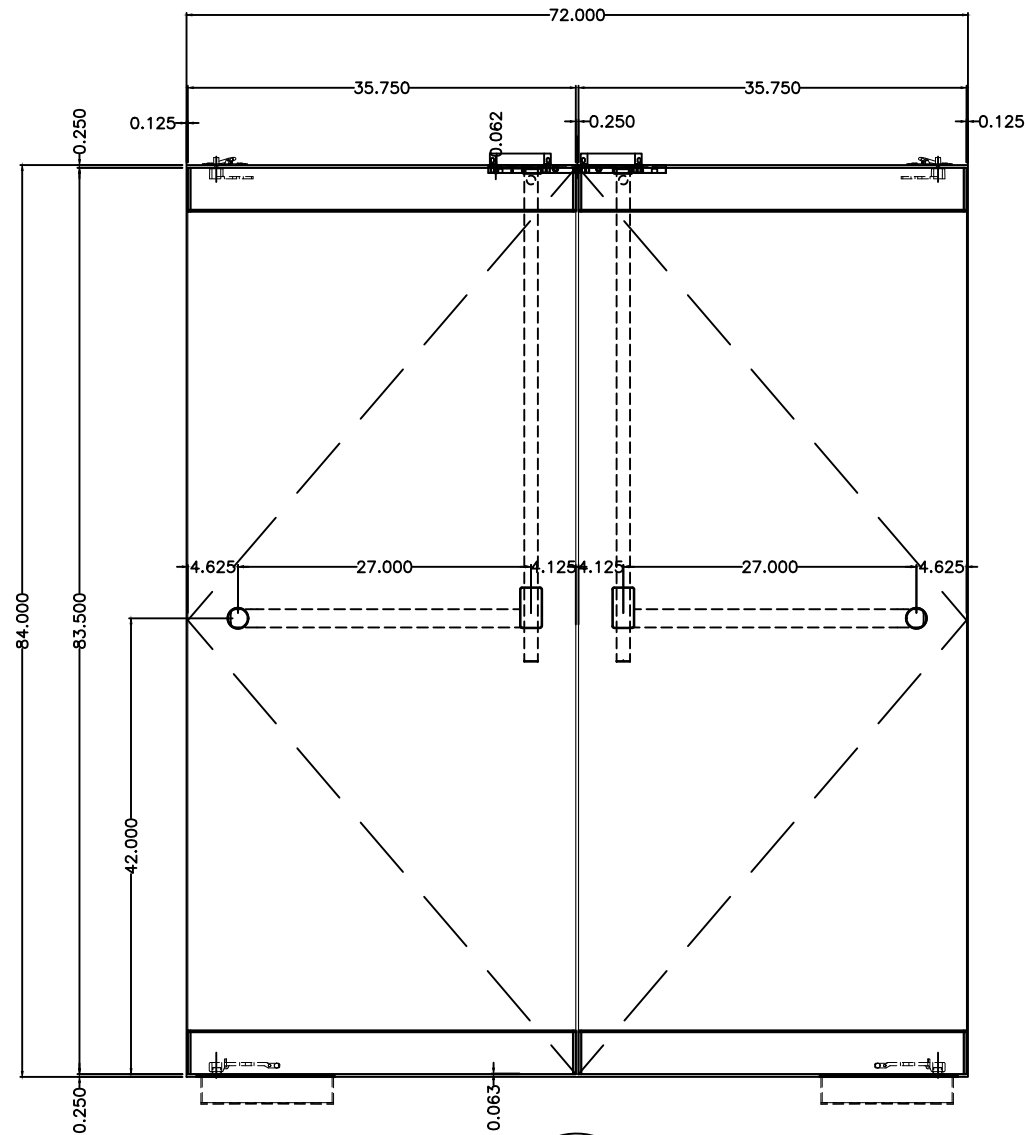
Scale:

File Name: WLDRLR3812.dwg

Sheet

11

BLUMCRAFT PA300 SERIES PANIC HANDLE



CRL - BLUMCRAFT PANIC HANDLE SIZE LIMITATION  
DOOR HEIGHTS

EXTERIOR  
- 96" (2.44M) FOR 1/2" (12MM) GLASS THICKNESS  
- 102" (2.59M) FOR 3/4" (19MM) GLASS THICKNESS

INTERIOR  
- 102" (2.59M) FOR 1/2" (12MM) GLASS THICKNESS  
- 108" (2.74M) FOR 3/4" (19MM) GLASS THICKNESS

EXCEPTION  
- WHEN USING "F"-STYLE EXTERIOR HANDLE  
- 108" (2.74M) FOR 1/2" (12MM) OR 3/4" (19MM) GLASS THICKNESS

RAIL APPLICATION  
1/2" (13mm) GLASS  
3/4" (19 mm) GLASS

1 PA320 Z PANIC HANDLE WITH RAIL MOUNT

1-1/2" = 1'-0"

ARCH. REF.:

- \* HARDWARE FABRICATED FROM 1 1/4" DIAMETER STAINLESS STEEL OR ARCHITECTURAL BRONZE TUBING
- \* WIDE SELECTION OF EXTERIOR PULL HANDLES ARE AVAILABLE
- \* STANDARD CONFIGURATIONS AVAILABLE FOR PANIC HANDLES
- \* PA300 PANICS ARE COMPATIBLE WITH ELECTRIC STRIKES
- \* STANDARD CONFIGURATIONS AVAILABLE FOR PA310
- \* ALL PANICS COME WITH A DOGGING FEATURE
- \* ALL CONFIGURATIONS AVAILABLE WITH OR WITHOUT KEYED ACCESS DEVICES
- \* AVAILABLE IN POLISHED AND BRUSHED STAINLESS STEEL, SATIN AND POLISHED BRASS, AND OIL RUBBED BRONZE

Revisions By:

**CRL**

2503 E. Vernon Avenue, Los Angeles, CA 90058-1897  
PH (800)-421-6144 FX: 800-587-7501 www.crlaurence.com

Description:

CRL BLUMCRAFT  
PA300 PANIC HANDLE  
FOR 1/2" AND 3/4" GLASS

Drawn By: NW

Date: 04/02/20

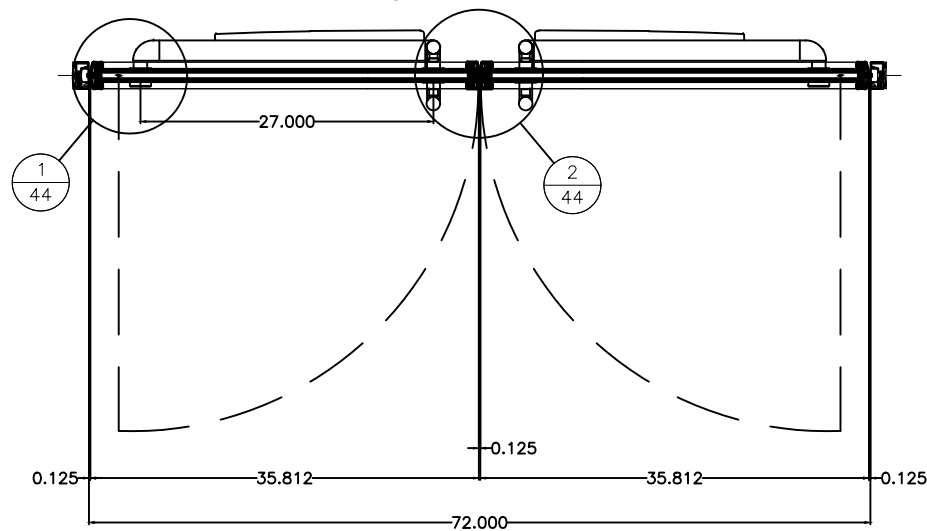
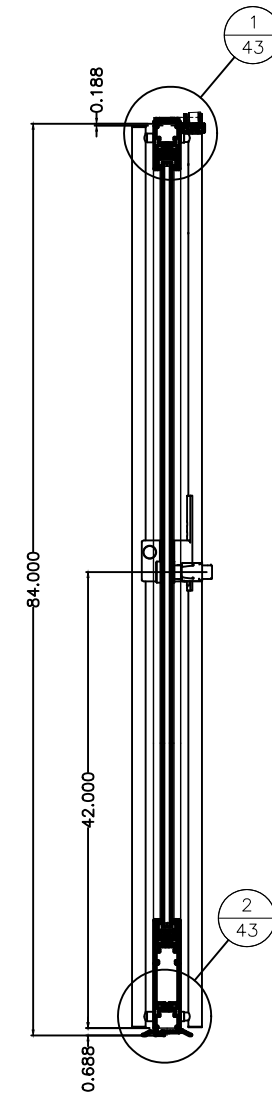
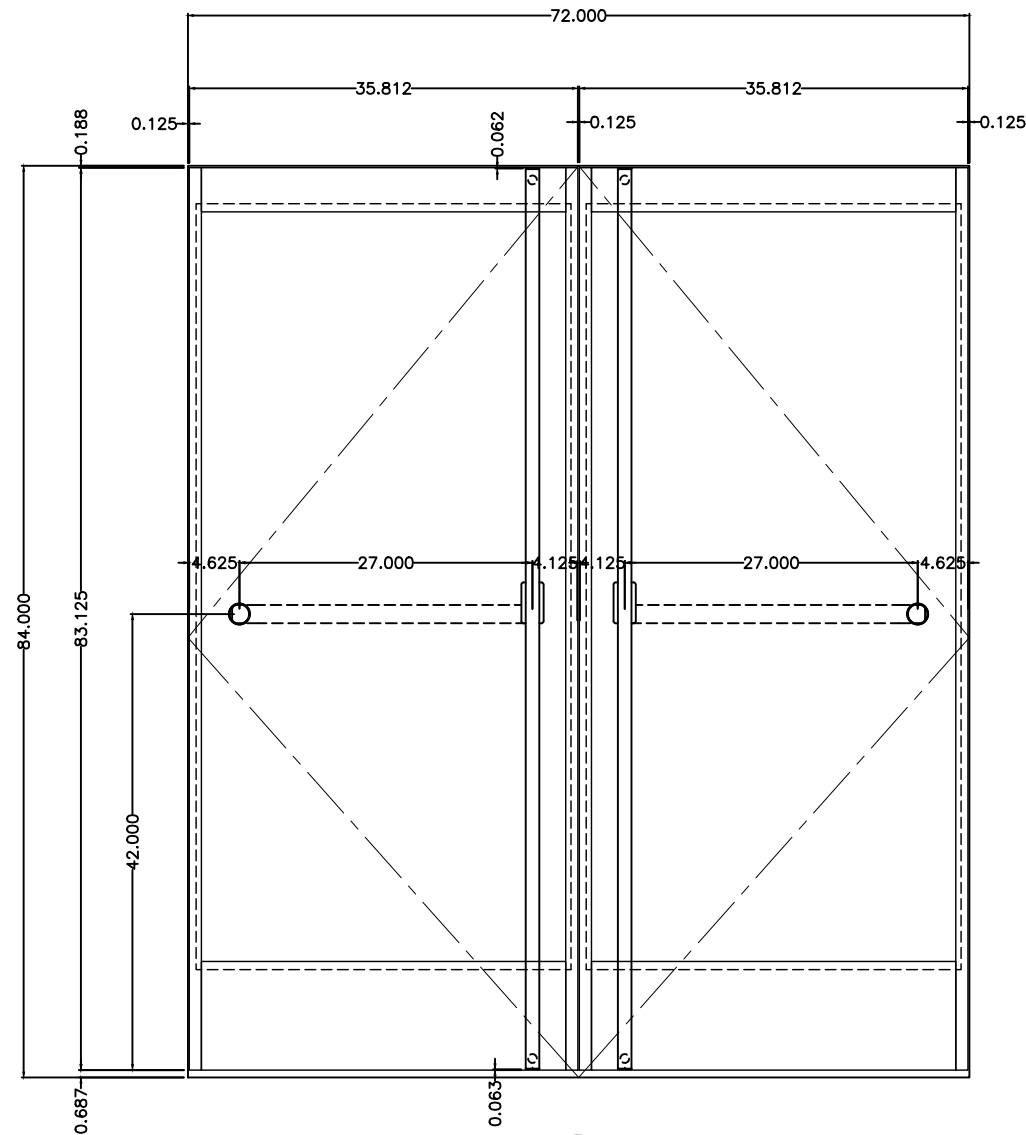
Scale:

File Name: WLDRLR3812.dwg

Sheet

12

BLUMCRAFT PA300 SERIES PANIC HANDLE



CRL - BLUMCRAFT PANIC HANDLE SIZE LIMITATION  
DOOR HEIGHTS

EXTERIOR  
- 96" (2.44M) FOR 1/2" (12MM) GLASS THICKNESS  
- 102" (2.59M) FOR 3/4" (19MM) GLASS THICKNESS

INTERIOR  
- 102" (2.59M) FOR 1/2" (12MM) GLASS THICKNESS  
- 108" (2.74M) FOR 3/4" (19MM) GLASS THICKNESS

EXCEPTION  
- WHEN USING "F"-STYLE EXTERIOR HANDLE  
- 108" (2.74M) FOR 1/2" (12MM) OR 3/4" (19MM) GLASS THICKNESS

ENTICE DOOR APPLICATION  
1" (25mm) GLASS  
INSTALLED BY CRL

1 PA300 F PANIC HANDLE AT ENTICE DOOR

1-1/2" = 1'-0"

ARCH. REF.:

- \* HARDWARE FABRICATED FROM 1 1/4" DIAMETER STAINLESS STEEL OR ARCHITECTURAL BRONZE TUBING
- \* WIDE SELECTION OF EXTERIOR PULL HANDLES ARE AVAILABLE
- \* STANDARD CONFIGURATIONS AVAILABLE FOR PANIC HANDLES
- \* PA300 PANICS ARE COMPATIBLE WITH ELECTRIC STRIKES
- \* STANDARD CONFIGURATIONS AVAILABLE FOR PA310
- \* ALL PANICS COME WITH A DOGGING FEATURE
- \* ALL CONFIGURATIONS AVAILABLE WITH OR WITHOUT KEYED ACCESS DEVICES
- \* AVAILABLE IN POLISHED AND BRUSHED STAINLESS STEEL, SATIN AND POLISHED BRASS, AND OIL RUBBED BRONZE

Revisions By:

**CRL**

2503 E. Vernon Avenue, Los Angeles, CA 90058-1897  
PH (800)-421-6144 FX: 800-587-7501 www.crlaurence.com

Description:

CRL BLUMCRAFT  
PA300 PANIC HANDLE  
FOR 1/2" AND 3/4" GLASS

Drawn By: NW

Date: 04/02/20

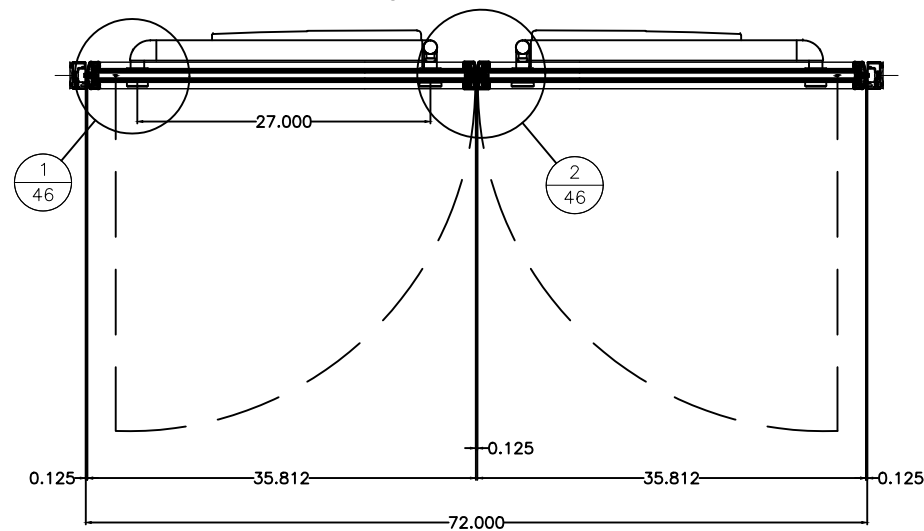
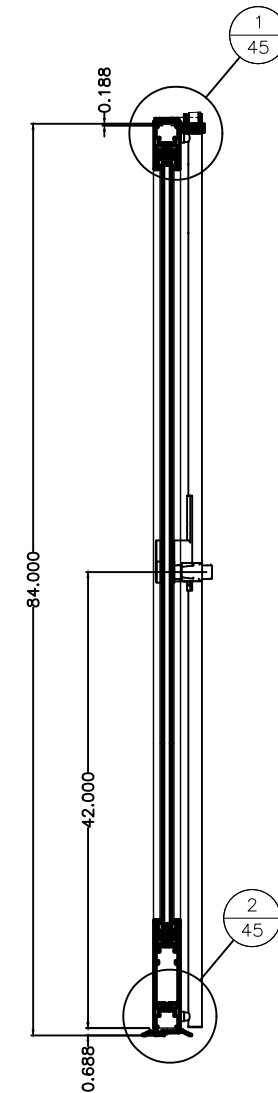
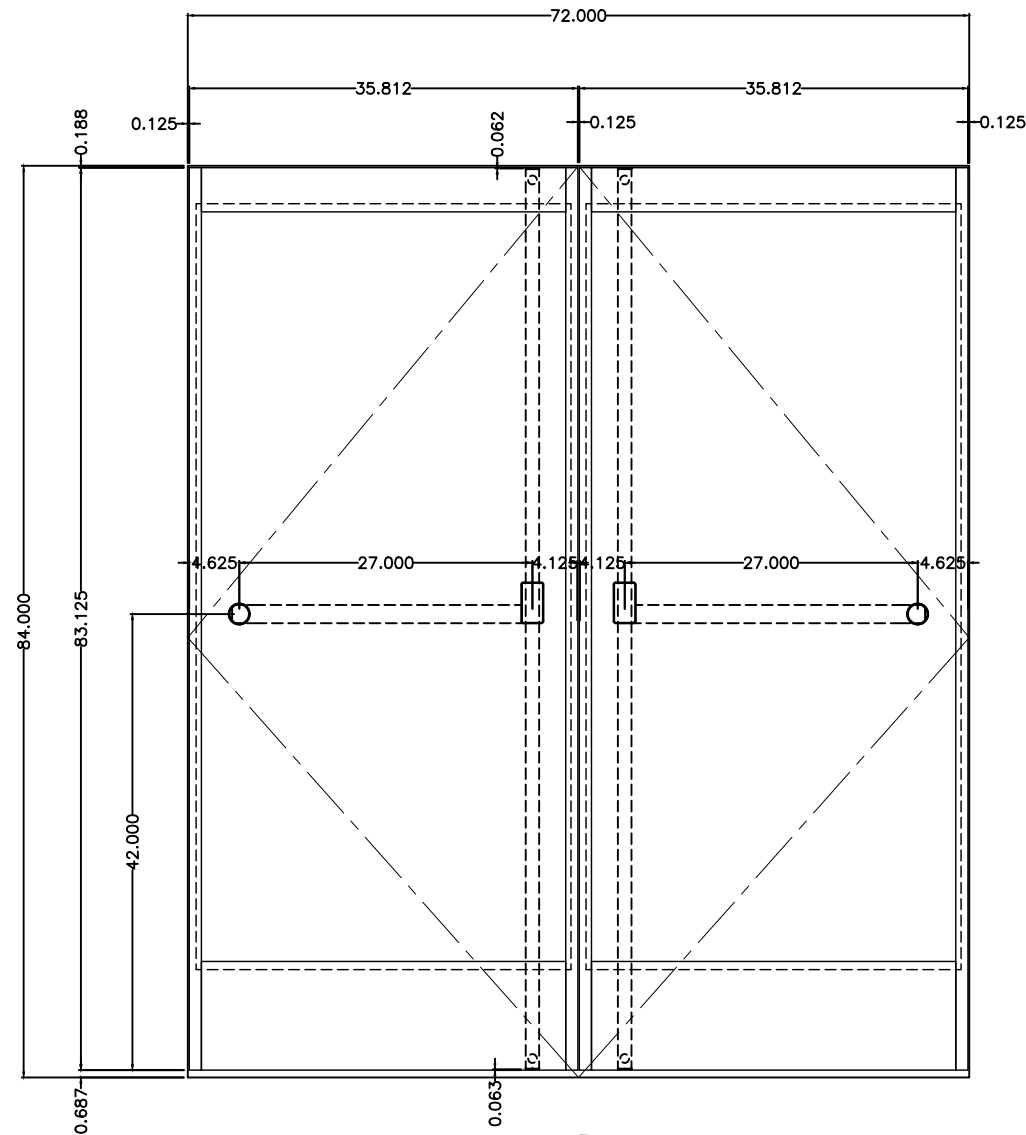
Scale:

File Name: WLDRLR3812.dwg

Sheet

13

# BLUMCRAFT PA300 SERIES PANIC HANDLE



CRL - BLUMCRAFT PANIC HANDLE SIZE LIMITATION  
DOOR HEIGHTS

EXTERIOR  
- 96" (2.44M) FOR 1/2" (12MM) GLASS THICKNESS  
- 102" (2.59M) FOR 3/4" (19MM) GLASS THICKNESS

INTERIOR  
- 102" (2.59M) FOR 1/2" (12MM) GLASS THICKNESS  
- 108" (2.74M) FOR 3/4" (19MM) GLASS THICKNESS

EXCEPTION  
- WHEN USING "F"-STYLE EXTERIOR HANDLE  
- 108" (2.74M) FOR 1/2" (12MM) OR 3/4" (19MM) GLASS THICKNESS

ENTICE DOOR APPLICATION  
1" (25mm) GLASS  
INSTALLED BY CRL

## 1 PA300 Z PANIC HANDLE AT ENTICE DOOR

1-1/2" = 1'-0"

ARCH. REF.:

- \* HARDWARE FABRICATED FROM 1 1/4" DIAMETER STAINLESS STEEL OR ARCHITECTURAL BRONZE TUBING
- \* WIDE SELECTION OF EXTERIOR PULL HANDLES ARE AVAILABLE
- \* STANDARD CONFIGURATIONS AVAILABLE FOR PANIC HANDLES
- \* PA300 PANICS ARE COMPATIBLE WITH ELECTRIC STRIKES
- \* STANDARD CONFIGURATIONS AVAILABLE FOR PA310
- \* ALL PANICS COME WITH A DOGGING FEATURE
- \* ALL CONFIGURATIONS AVAILABLE WITH OR WITHOUT KEYED ACCESS DEVICES
- \* AVAILABLE IN POLISHED AND BRUSHED STAINLESS STEEL, SATIN AND POLISHED BRASS, AND OIL RUBBED BRONZE

Revisions By:

**CRL**

2503 E. Vernon Avenue, Los Angeles, CA 90058-1897  
PH (800)-421-6144 FX: 800-587-7501 www.crlaurence.com

Description:

CRL BLUMCRAFT  
PA300 PANIC HANDLE  
FOR 1/2" AND 3/4" GLASS

Drawn By: NW

Date: 04/02/20

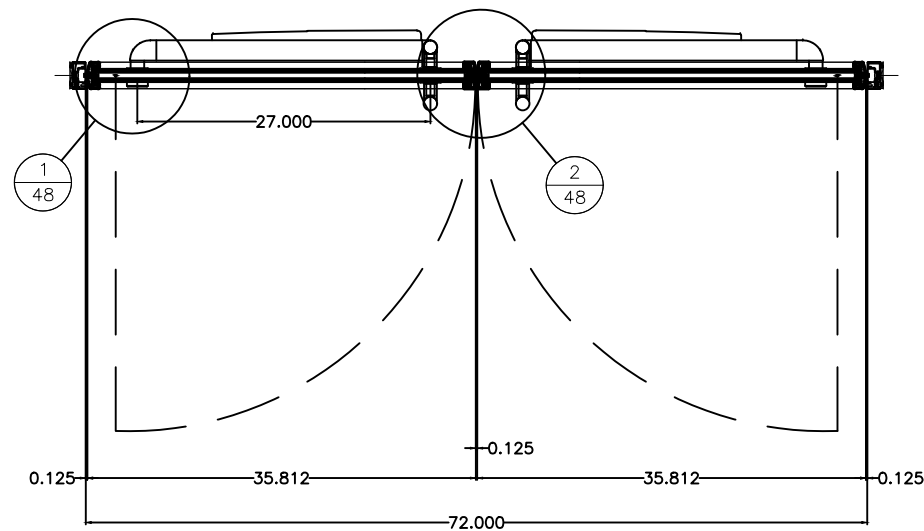
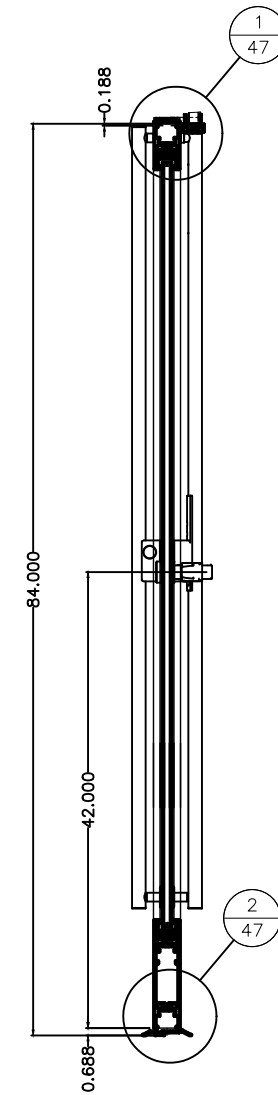
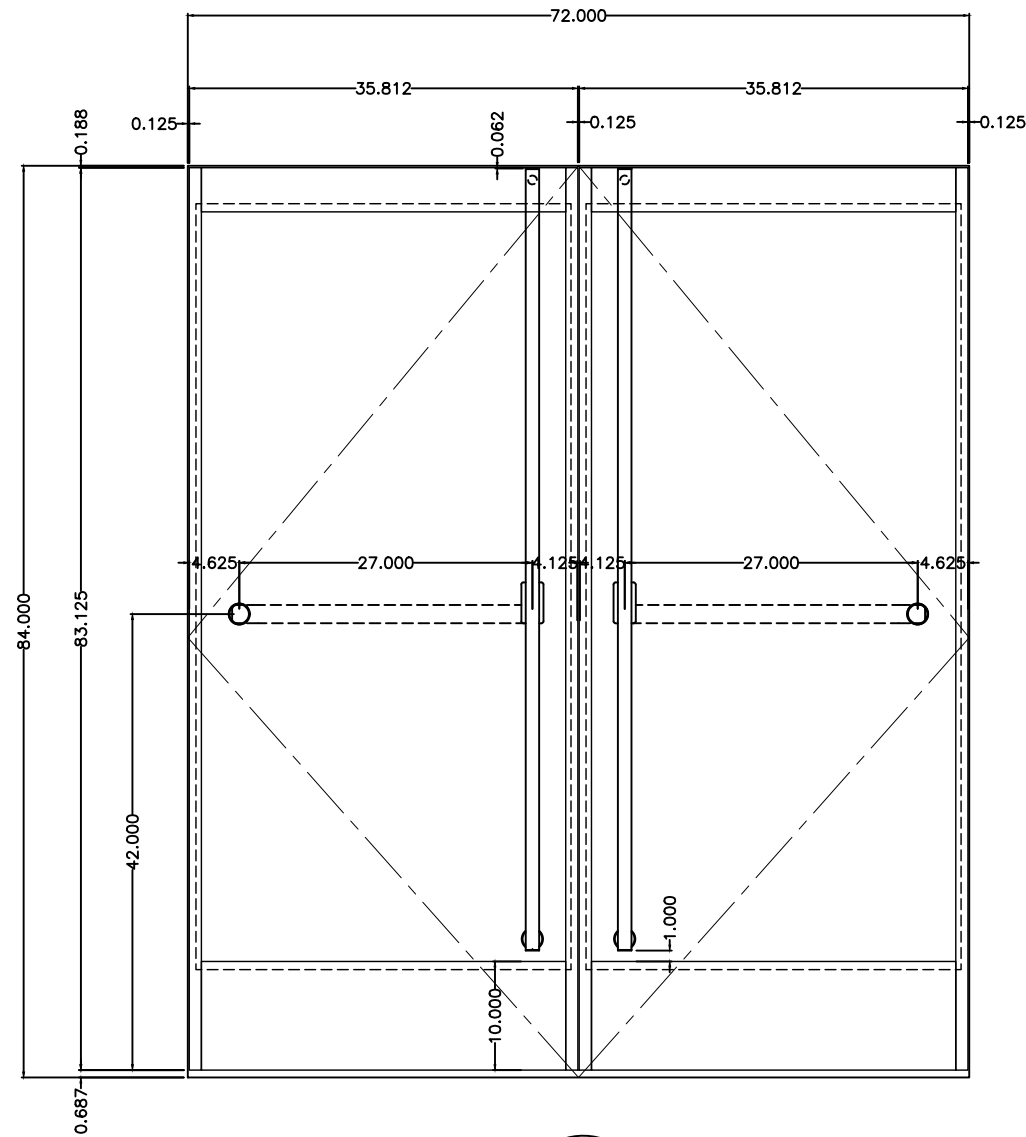
Scale:

File Name: WLDRLR3812.dwg

Sheet

14

BLUMCRAFT PA300 SERIES PANIC HANDLE



CRL - BLUMCRAFT PANIC HANDLE SIZE LIMITATION  
DOOR HEIGHTS

EXTERIOR  
- 96" (2.44M) FOR 1/2" (12MM) GLASS THICKNESS  
- 102" (2.59M) FOR 3/4" (19MM) GLASS THICKNESS

INTERIOR  
- 102" (2.59M) FOR 1/2" (12MM) GLASS THICKNESS  
- 108" (2.74M) FOR 3/4" (19MM) GLASS THICKNESS

EXCEPTION  
- WHEN USING "F"-STYLE EXTERIOR HANDLE  
- 108" (2.74M) FOR 1/2" (12MM) OR 3/4" (19MM) GLASS THICKNESS

ENTICE DOOR APPLICATION  
1" (25mm) GLASS  
INSTALLED BY CRL

1 PA310 FS PANIC HANDLE AT ENTICE DOOR

1-1/2" = 1'-0"

ARCH. REF.:

- \* HARDWARE FABRICATED FROM 1 1/4" DIAMETER STAINLESS STEEL OR ARCHITECTURAL BRONZE TUBING
- \* WIDE SELECTION OF EXTERIOR PULL HANDLES ARE AVAILABLE
- \* STANDARD CONFIGURATIONS AVAILABLE FOR PANIC HANDLES
- \* PA300 PANICS ARE COMPATIBLE WITH ELECTRIC STRIKES
- \* STANDARD CONFIGURATIONS AVAILABLE FOR PA310
- \* ALL PANICS COME WITH A DOGGING FEATURE
- \* ALL CONFIGURATIONS AVAILABLE WITH OR WITHOUT KEYED ACCESS DEVICES
- \* AVAILABLE IN POLISHED AND BRUSHED STAINLESS STEEL, SATIN AND POLISHED BRASS, AND OIL RUBBED BRONZE

Revisions By:

**CRL**

2503 E. Vernon Avenue, Los Angeles, CA 90058-1897  
PH (800)-421-6144 FX: 800-587-7501 www.crlaurence.com

Description:

CRL BLUMCRAFT  
PA300 PANIC HANDLE  
FOR 1/2" AND 3/4" GLASS

Drawn By: NW

Date: 04/02/20

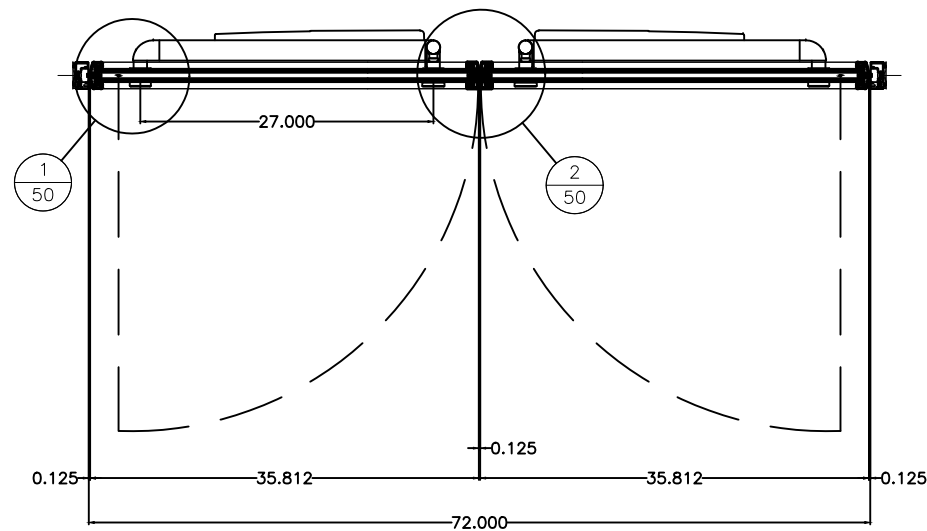
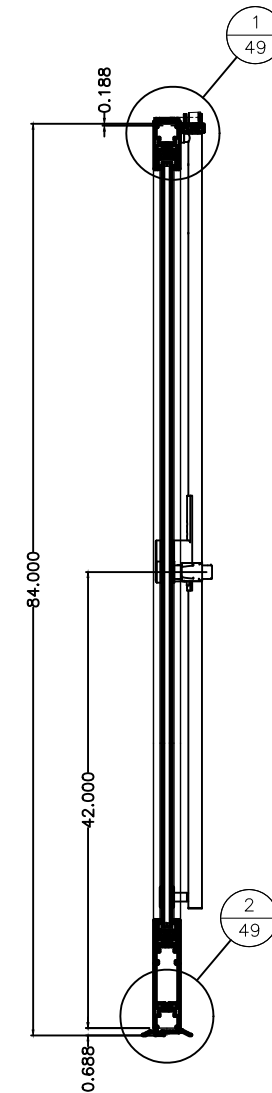
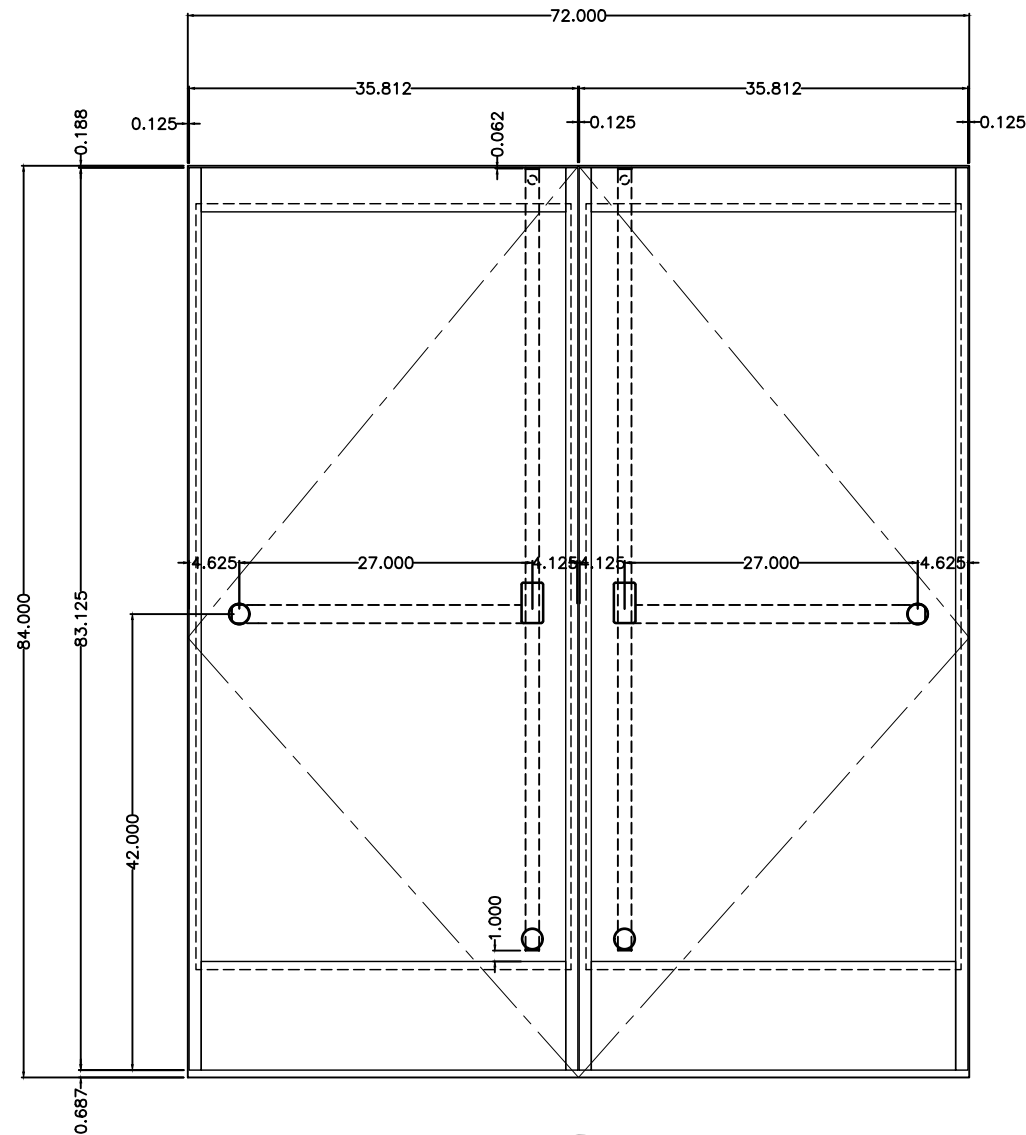
Scale:

File Name: WLDRLR3812.dwg

Sheet

15

BLUMCRAFT PA300 SERIES PANIC HANDLE



CRL - BLUMCRAFT PANIC HANDLE SIZE LIMITATION  
DOOR HEIGHTS

EXTERIOR  
- 96" (2.44M) FOR 1/2" (12MM) GLASS THICKNESS  
- 102" (2.59M) FOR 3/4" (19MM) GLASS THICKNESS

INTERIOR  
- 102" (2.59M) FOR 1/2" (12MM) GLASS THICKNESS  
- 108" (2.74M) FOR 3/4" (19MM) GLASS THICKNESS

EXCEPTION  
- WHEN USING "F"-STYLE EXTERIOR HANDLE  
- 108" (2.74M) FOR 1/2" (12MM) OR 3/4" (19MM) GLASS THICKNESS

ENTICE DOOR APPLICATION  
1" (25mm) GLASS  
INSTALLED BY CRL

1 PA310 Z PANIC HANDLE AT ENTICE DOOR

1-1/2" = 1'-0"

ARCH. REF.:

- \* HARDWARE FABRICATED FROM 1 1/4" DIAMETER STAINLESS STEEL OR ARCHITECTURAL BRONZE TUBING
- \* WIDE SELECTION OF EXTERIOR PULL HANDLES ARE AVAILABLE
- \* STANDARD CONFIGURATIONS AVAILABLE FOR PANIC HANDLES
- \* PA300 PANICS ARE COMPATIBLE WITH ELECTRIC STRIKES
- \* STANDARD CONFIGURATIONS AVAILABLE FOR PA310
- \* ALL PANICS COME WITH A DOGGING FEATURE
- \* ALL CONFIGURATIONS AVAILABLE WITH OR WITHOUT KEYED ACCESS DEVICES
- \* AVAILABLE IN POLISHED AND BRUSHED STAINLESS STEEL, SATIN AND POLISHED BRASS, AND OIL RUBBED BRONZE

Revisions By:

**CRL**

2503 E. Vernon Avenue, Los Angeles, CA 90058-1897  
PH (800)-421-6144 FX: 800-587-7501 www.crlaurence.com

Description:

CRL BLUMCRAFT  
PA300 PANIC HANDLE  
FOR 1/2" AND 3/4" GLASS

Drawn By: NW

Date: 04/02/20

Scale:

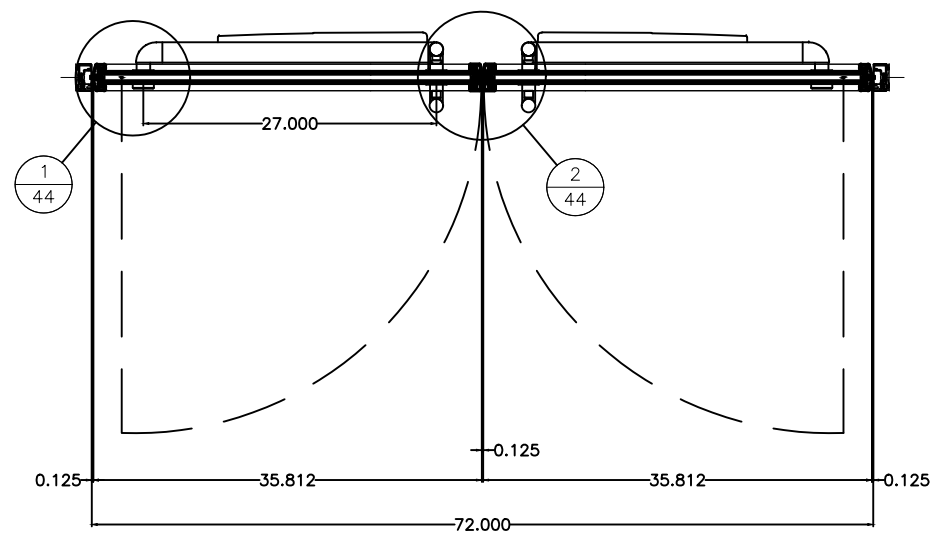
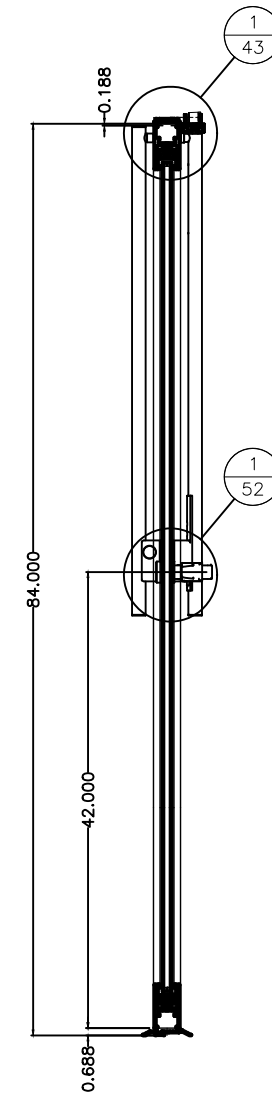
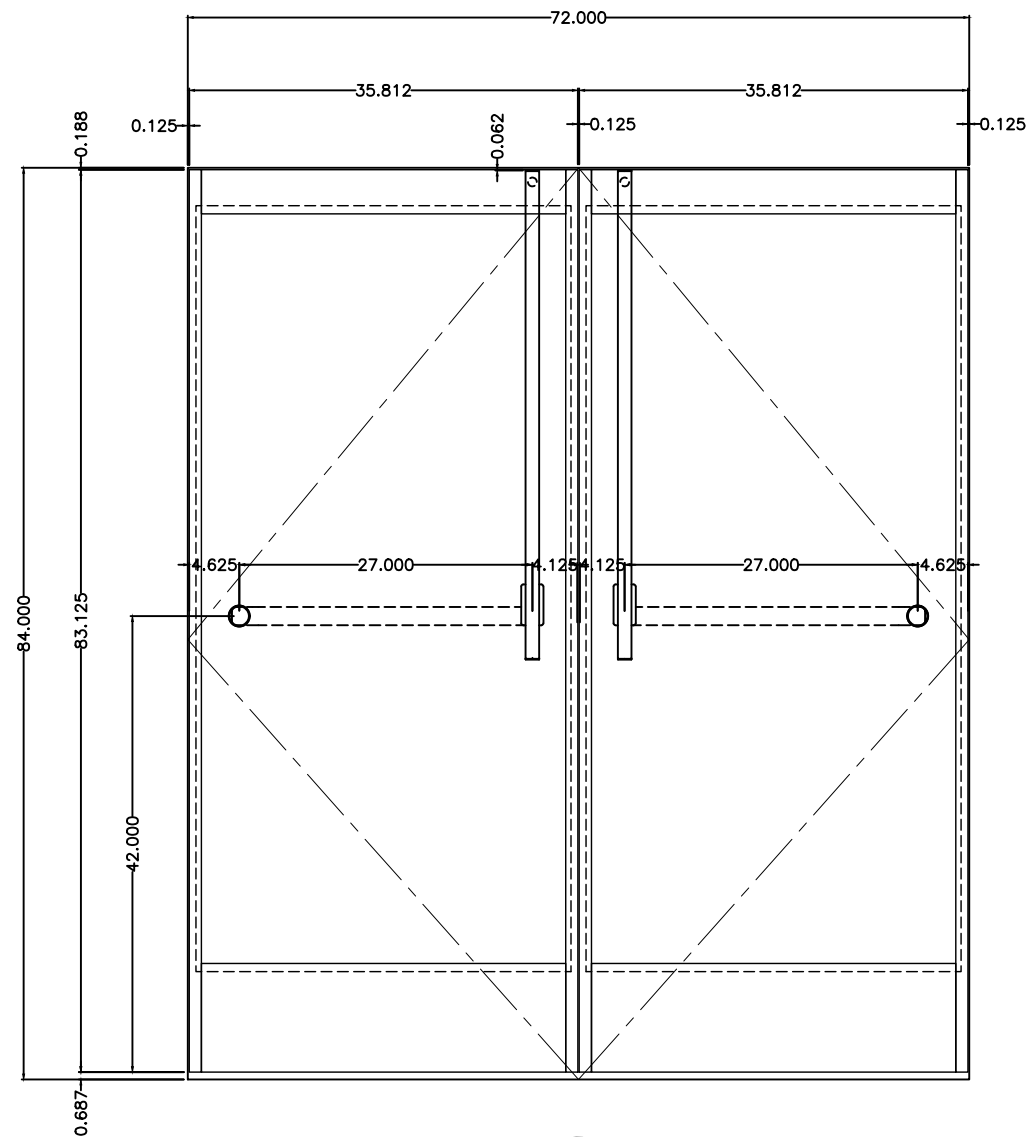
File Name: WLDRLR3812.dwg

Sheet

16



BLUMCRAFT PA300 SERIES PANIC HANDLE



CRL - BLUMCRAFT PANIC HANDLE SIZE LIMITATION  
DOOR HEIGHTS

EXTERIOR  
- 96" (2.44M) FOR 1/2" (12MM) GLASS THICKNESS  
- 102" (2.59M) FOR 3/4" (19MM) GLASS THICKNESS

INTERIOR  
- 102" (2.59M) FOR 1/2" (12MM) GLASS THICKNESS  
- 108" (2.74M) FOR 3/4" (19MM) GLASS THICKNESS

EXCEPTION  
- WHEN USING "F"-STYLE EXTERIOR HANDLE  
- 108" (2.74M) FOR 1/2" (12MM) OR 3/4" (19MM) GLASS THICKNESS

ENTICE DOOR APPLICATION  
1" (25mm) GLASS  
INSTALLED BY CRL

1 PA320 JS PANIC HANDLE AT ENTICE DOOR

1-1/2" = 1'-0"

ARCH. REF.:

- \* HARDWARE FABRICATED FROM 1 1/4" DIAMETER STAINLESS STEEL OR ARCHITECTURAL BRONZE TUBING
- \* WIDE SELECTION OF EXTERIOR PULL HANDLES ARE AVAILABLE
- \* STANDARD CONFIGURATIONS AVAILABLE FOR PANIC HANDLES
- \* PA300 PANICS ARE COMPATIBLE WITH ELECTRIC STRIKES
- \* STANDARD CONFIGURATIONS AVAILABLE FOR PA310
- \* ALL PANICS COME WITH A DOGGING FEATURE
- \* ALL CONFIGURATIONS AVAILABLE WITH OR WITHOUT KEYED ACCESS DEVICES
- \* AVAILABLE IN POLISHED AND BRUSHED STAINLESS STEEL, SATIN AND POLISHED BRASS, AND OIL RUBBED BRONZE

Revisions By:

**CRL**

2503 E. Vernon Avenue, Los Angeles, CA 90058-1897  
PH (800)-421-6144 FX: 800-587-7501 www.crlaurence.com

Description:

CRL BLUMCRAFT  
PA300 PANIC HANDLE  
FOR 1/2" AND 3/4" GLASS

Drawn By: NW

Date: 04/02/20

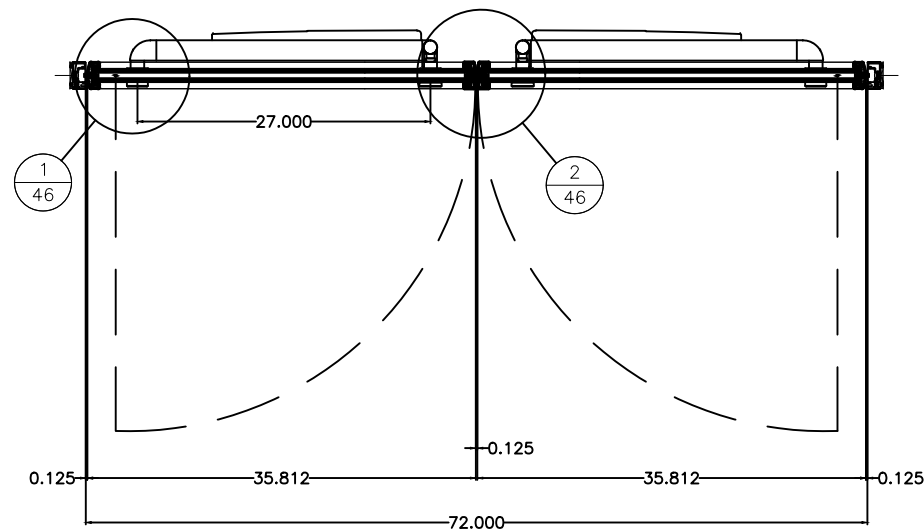
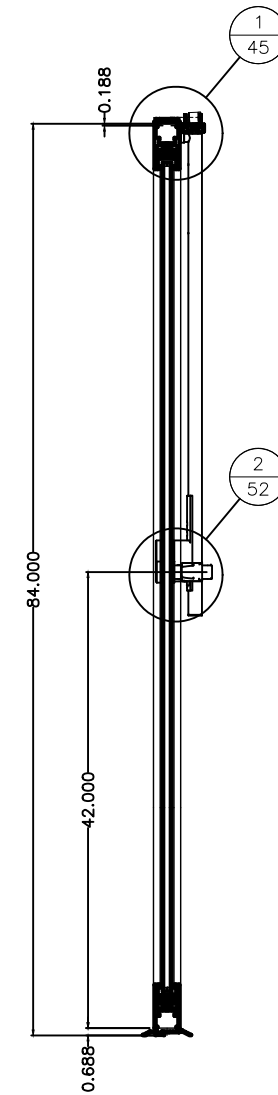
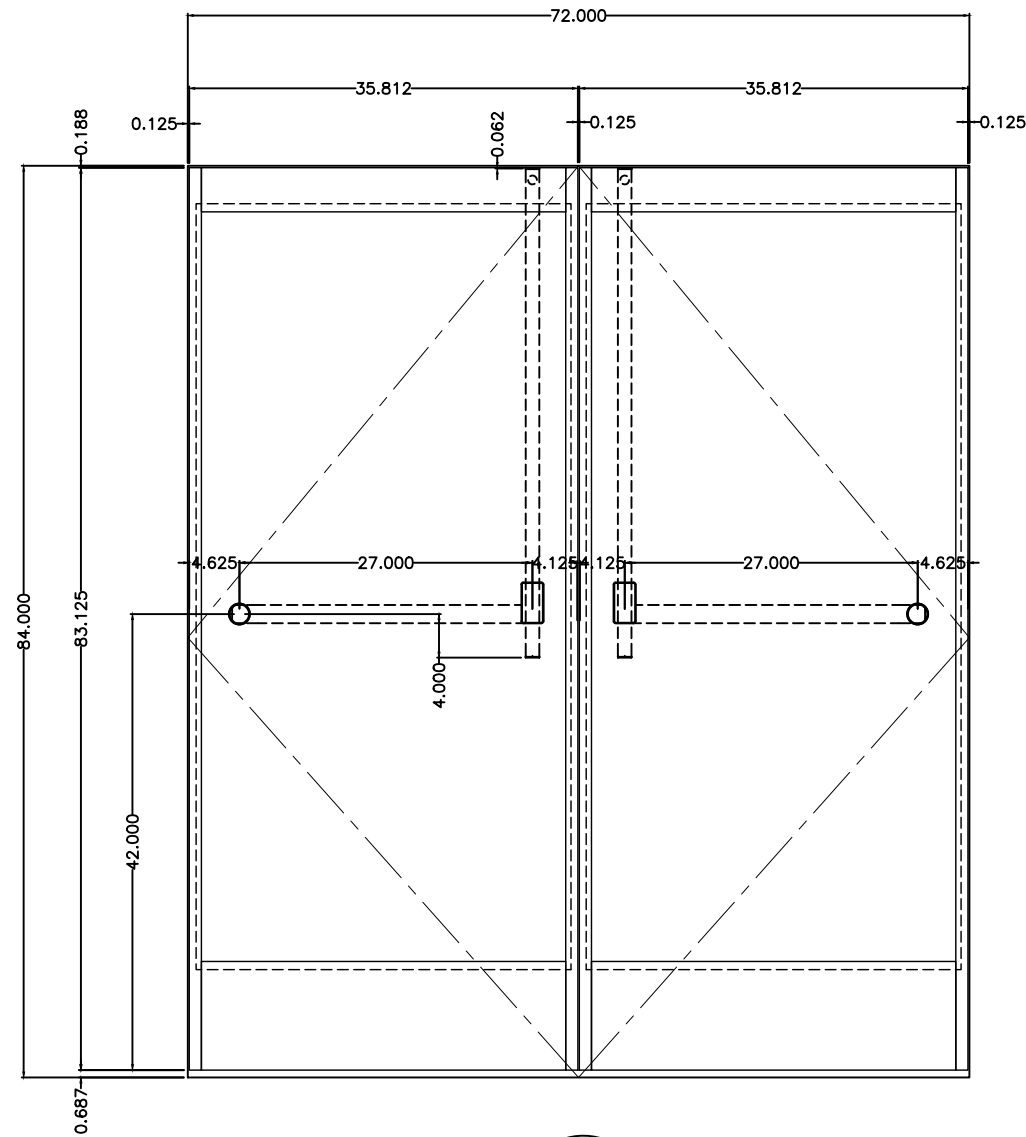
Scale:

File Name: WLDRLR3812.dwg

Sheet

17

BLUMCRAFT PA300 SERIES PANIC HANDLE



CRL - BLUMCRAFT PANIC HANDLE SIZE LIMITATION  
DOOR HEIGHTS

EXTERIOR  
- 96" (2.44M) FOR 1/2" (12MM) GLASS THICKNESS  
- 102" (2.59M) FOR 3/4" (19MM) GLASS THICKNESS

INTERIOR  
- 102" (2.59M) FOR 1/2" (12MM) GLASS THICKNESS  
- 108" (2.74M) FOR 3/4" (19MM) GLASS THICKNESS

EXCEPTION  
- WHEN USING "F"-STYLE EXTERIOR HANDLE  
- 108" (2.74M) FOR 1/2" (12MM) OR 3/4" (19MM) GLASS THICKNESS

ENTICE DOOR APPLICATION  
1" (25mm) GLASS  
INSTALLED BY CRL

1 PA320 Z PANIC HANDLE AT ENTICE DOOR

1-1/2" = 1'-0"

ARCH. REF.:

- \* HARDWARE FABRICATED FROM 1 1/4" DIAMETER STAINLESS STEEL OR ARCHITECTURAL BRONZE TUBING
- \* WIDE SELECTION OF EXTERIOR PULL HANDLES ARE AVAILABLE
- \* STANDARD CONFIGURATIONS AVAILABLE FOR PANIC HANDLES
- \* PA300 PANICS ARE COMPATIBLE WITH ELECTRIC STRIKES
- \* STANDARD CONFIGURATIONS AVAILABLE FOR PA310
- \* ALL PANICS COME WITH A DOGGING FEATURE
- \* ALL CONFIGURATIONS AVAILABLE WITH OR WITHOUT KEYED ACCESS DEVICES
- \* AVAILABLE IN POLISHED AND BRUSHED STAINLESS STEEL, SATIN AND POLISHED BRASS, AND OIL RUBBED BRONZE

Revisions By:

**CRL**

2503 E. Vernon Avenue, Los Angeles, CA 90058-1897  
PH (800)-421-6144 FX: 800-587-7501 www.crlaurence.com

Description:

CRL BLUMCRAFT  
PA300 PANIC HANDLE  
FOR 1/2" AND 3/4" GLASS

Drawn By: NW

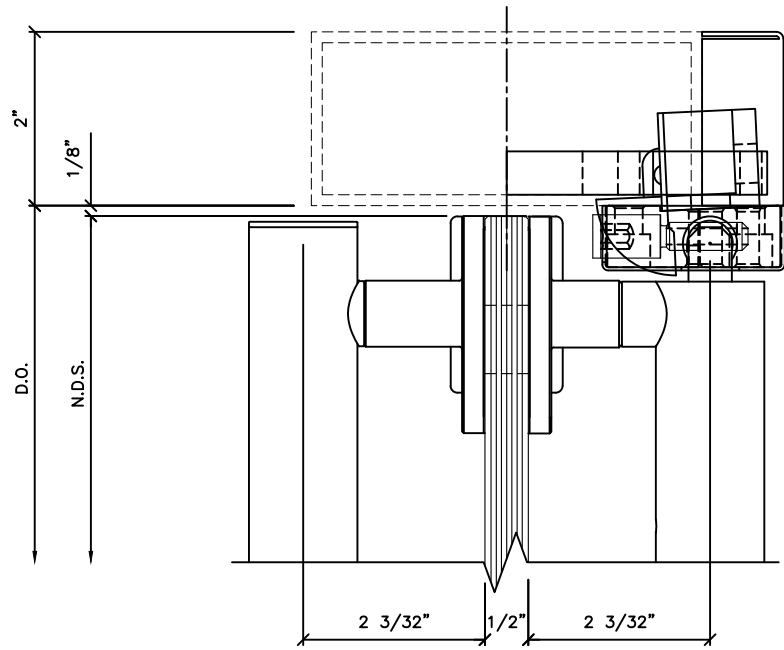
Date: 04/02/20

Scale:

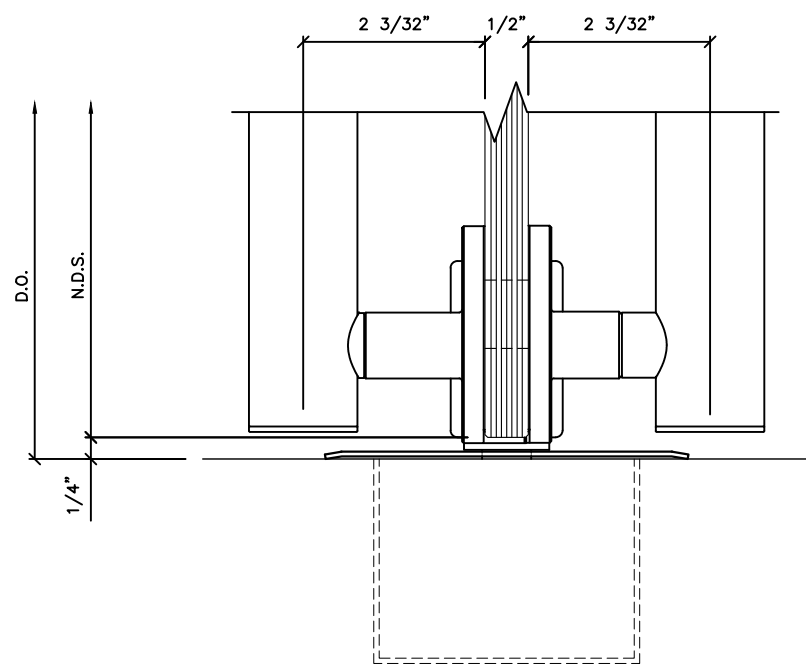
File Name: WLDRLR3812.dwg

Sheet

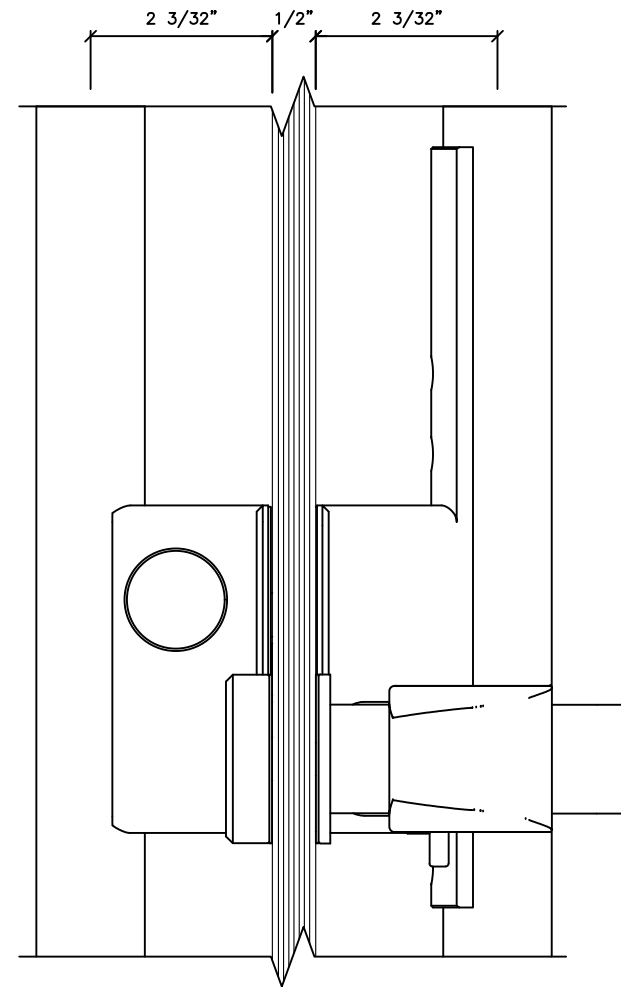
18



① PA300F GLASS CONNECTION DETAIL @ HEAD  
 1:1 ARCH. REF.: N/A



② PA300F GLASS CONNECTION DETAIL @ SILL  
 1:1 ARCH. REF.: N/A



③ PA300F PANIC BAR DETAIL  
 1:1 ARCH. REF.: N/A

Revisions By:

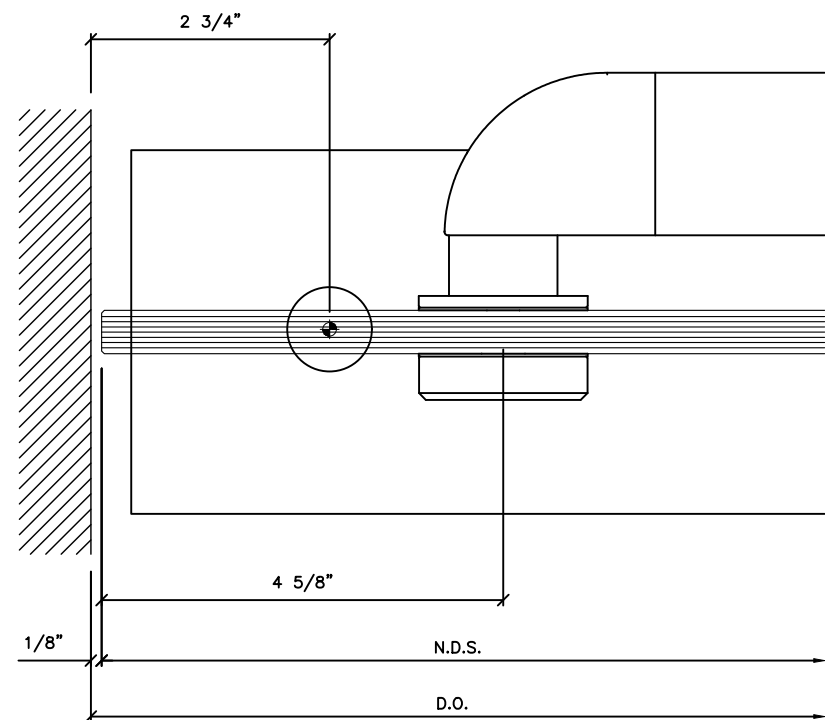
**CRL**

2503 E. Vernon Avenue, Los Angeles, CA 90058-1897  
 PH (800)-421-6144 FX: 800-587-7501 www.crlaurence.com

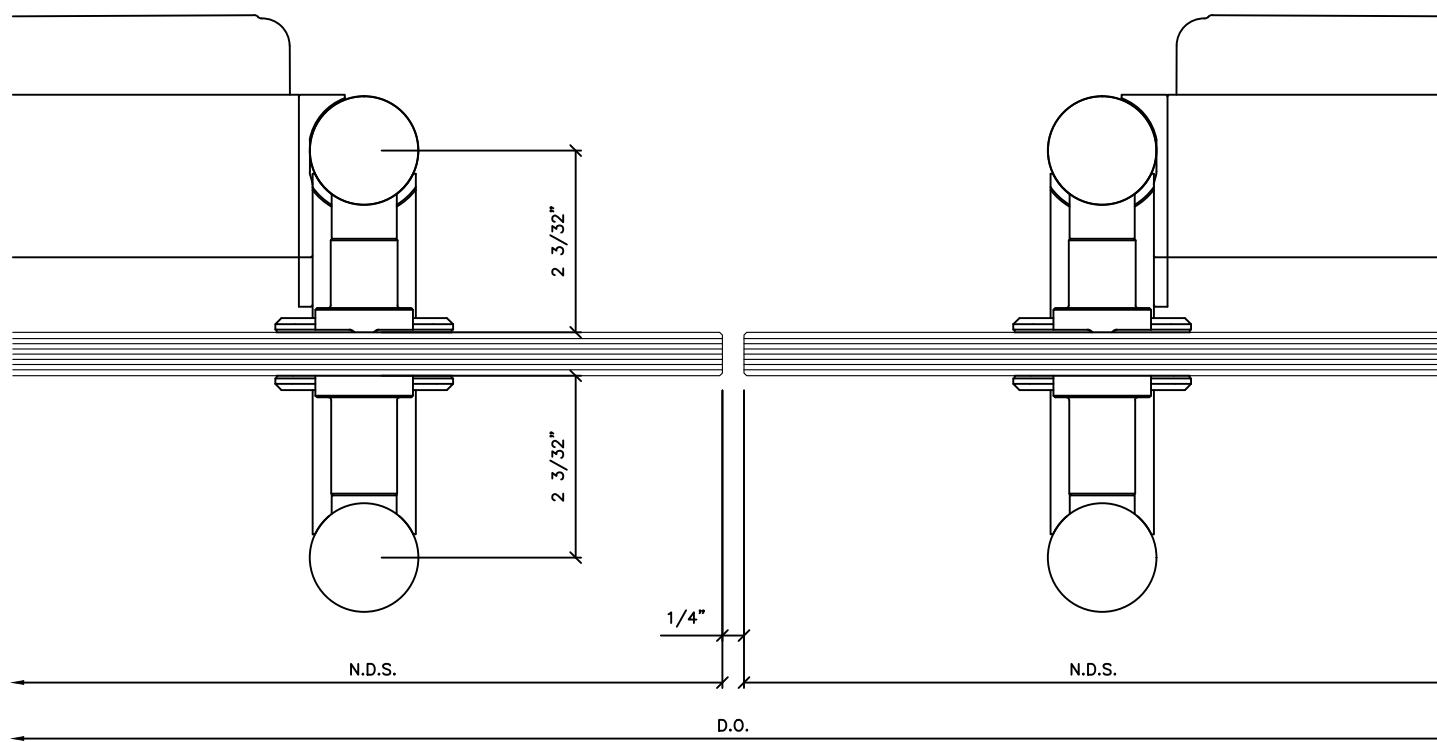
Description:  
 CRL BLUMCRAFT  
 PA300 PANIC HANDLE  
 FOR 1/2" AND 3/4" GLASS

Drawn By: NW  
 Date: 04/02/20  
 Scale:  
 File Name: WLDRLR3812.dwg

Sheet

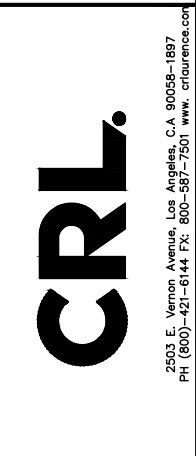


① PA300F GLASS CONNECTION DETAIL @ DOOR JAMB  
 1:1 ARCH. REF.: N/A



② PA300F GLASS CONNECTION DETAIL @ MEETING STILE  
 1:1 ARCH. REF.: N/A

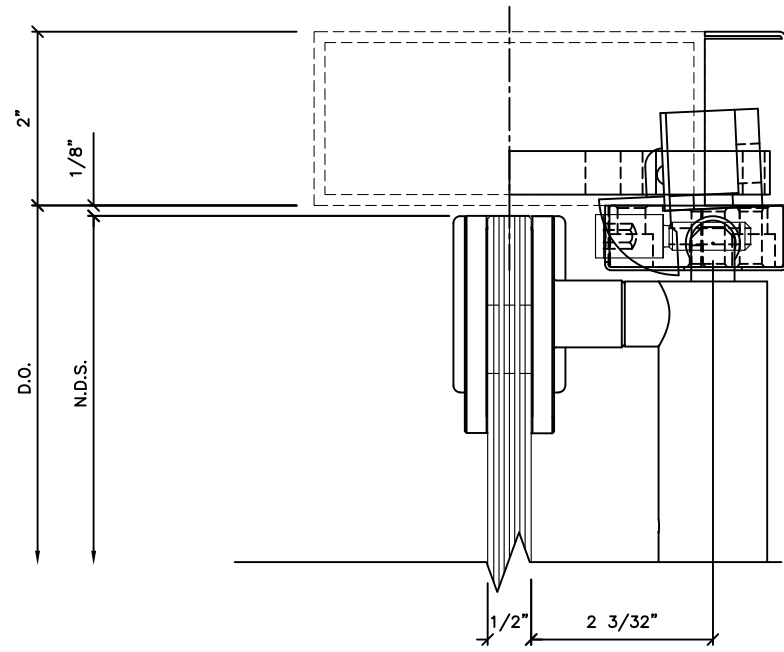
Revisions By:



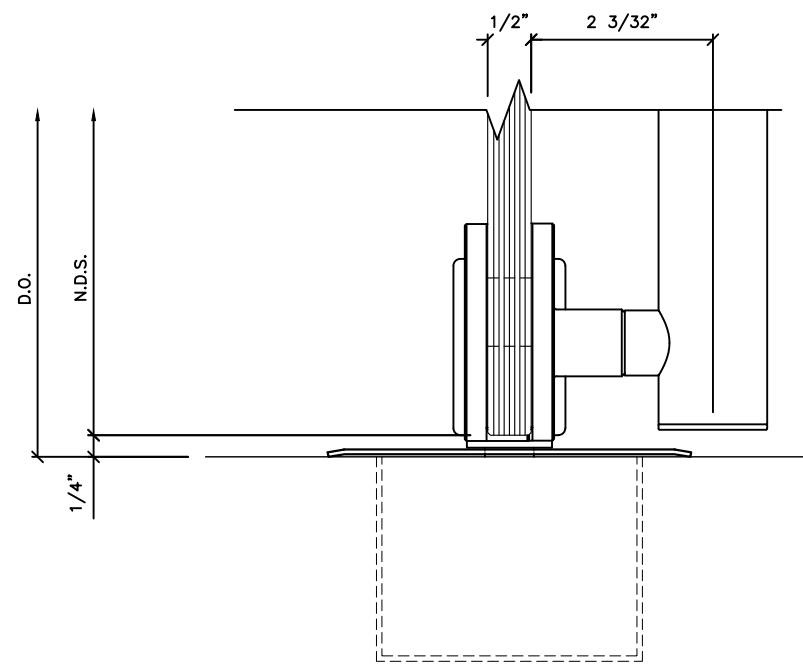
Description:  
 CRL BLUMCRAFT  
 PA300 PANIC HANDLE  
 FOR 1/2" AND 3/4" GLASS

Drawn By: NW  
 Date: 04/02/20  
 Scale:  
 File Name: WLDRLR3812.dwg

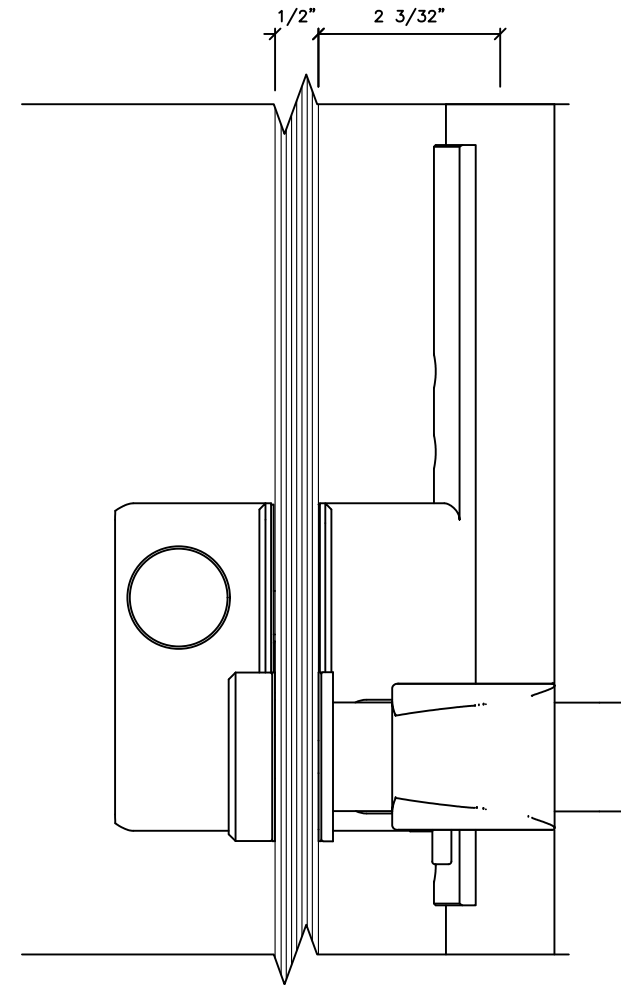
Sheet



① PA300Z GLASS CONNECTION DETAIL @ HEAD  
1:1 ARCH. REF.: N/A



② PA300Z GLASS CONNECTION DETAIL @ SILL  
1:1 ARCH. REF.: N/A



③ PA300Z PANIC BAR DETAIL  
1:1 ARCH. REF.: N/A

Revisions By:

**CRL**

2503 E. Vernon Avenue, Los Angeles, CA 90058-1897  
PH (800)-421-6144 FX: 800-587-7501 www.crlaurence.com

Description:

CRL BLUMCRAFT  
PA300 PANIC HANDLE  
FOR 1/2" AND 3/4" GLASS

Drawn By: NW

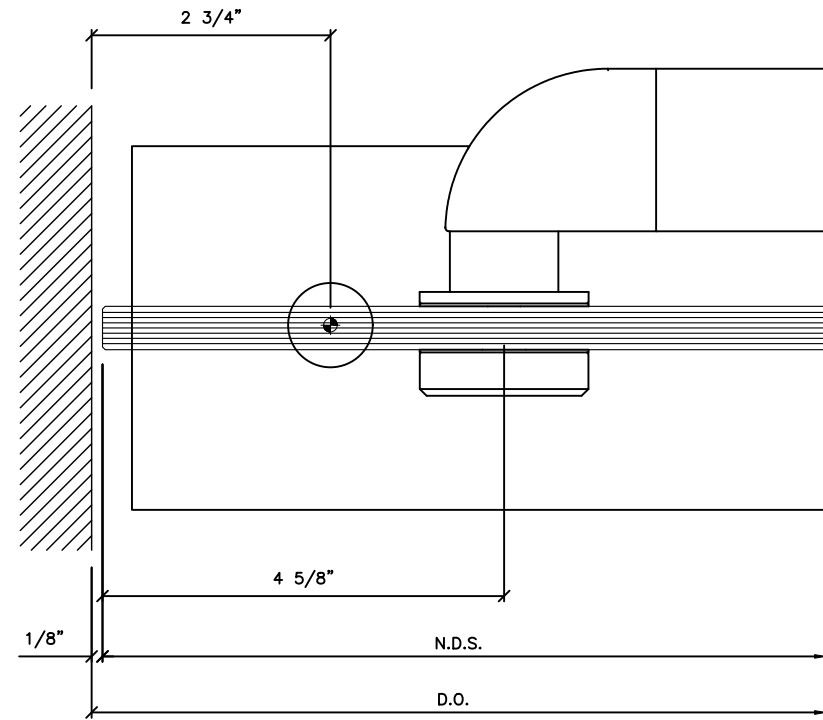
Date: 04/02/20

Scale:

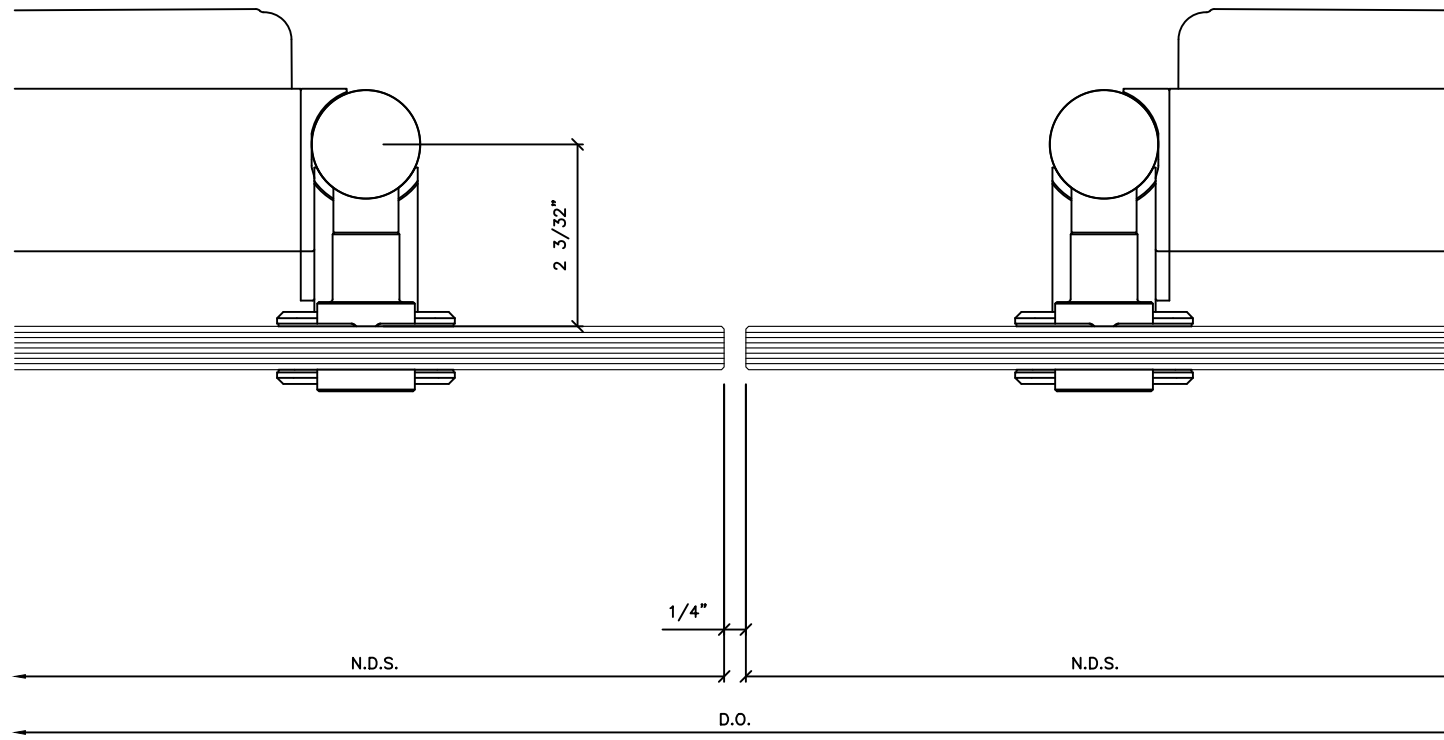
File Name: WLDRLR3812.dwg

Sheet

21



① PA300Z GLASS CONNECTION DETAIL @ DOOR JAMB  
 1:1 ARCH. REF.: N/A



② PA300Z GLASS CONNECTION DETAIL @ MEETING STILE  
 1:1 ARCH. REF.: N/A

Revisions By:

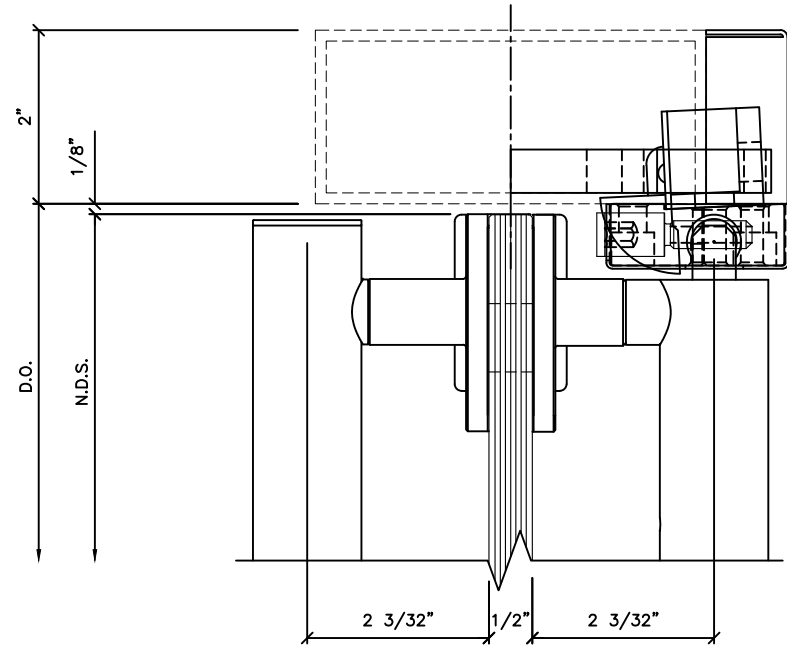
**CRL**

2503 E. Vernon Avenue, Los Angeles, CA 90058-1897  
 PH (800)-421-6144 FX: 800-587-7501 www.crlaurence.com

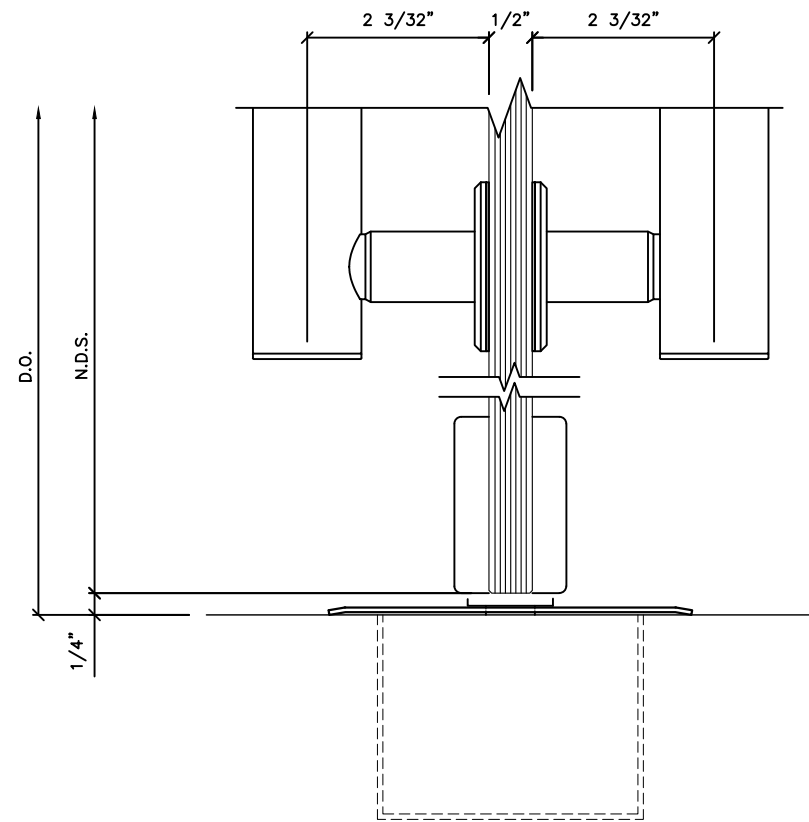
Description:  
 CRL BLUMCRAFT  
 PA300 PANIC HANDLE  
 FOR 1/2" AND 3/4" GLASS

Drawn By: NW  
 Date: 04/02/20  
 Scale:  
 File Name: WLDRLR3812.dwg

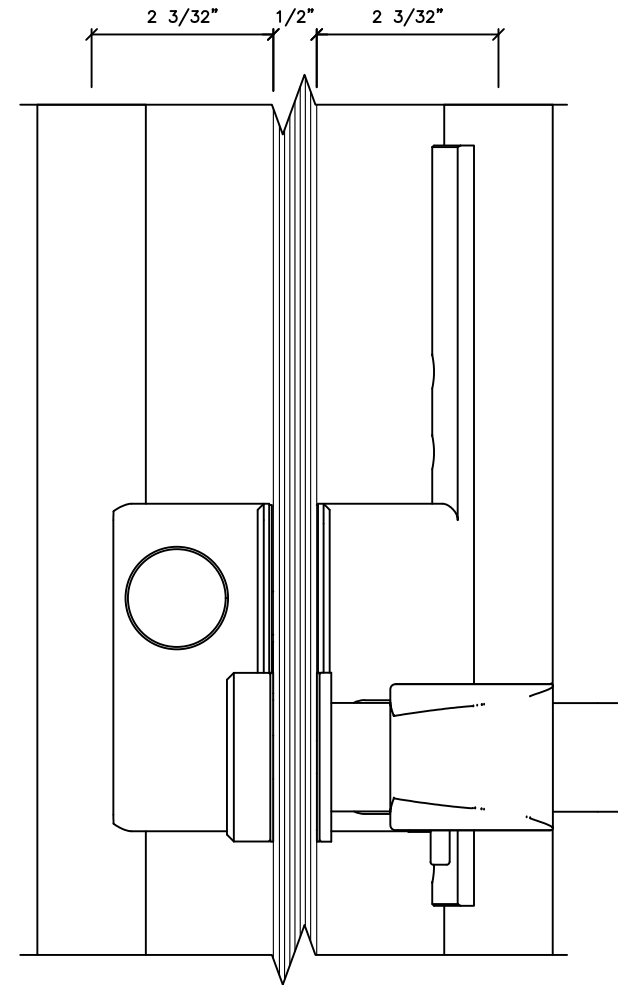
Sheet



① PA310FS GLASS CONNECTION DETAIL @ HEAD  
1:1 ARCH. REF.: N/A



② PA310FS GLASS CONNECTION DETAIL @ SILL  
1:1 ARCH. REF.: N/A



③ PA310FS PANIC BAR DETAIL  
1:1 ARCH. REF.: N/A

Revisions By:

**CRL**

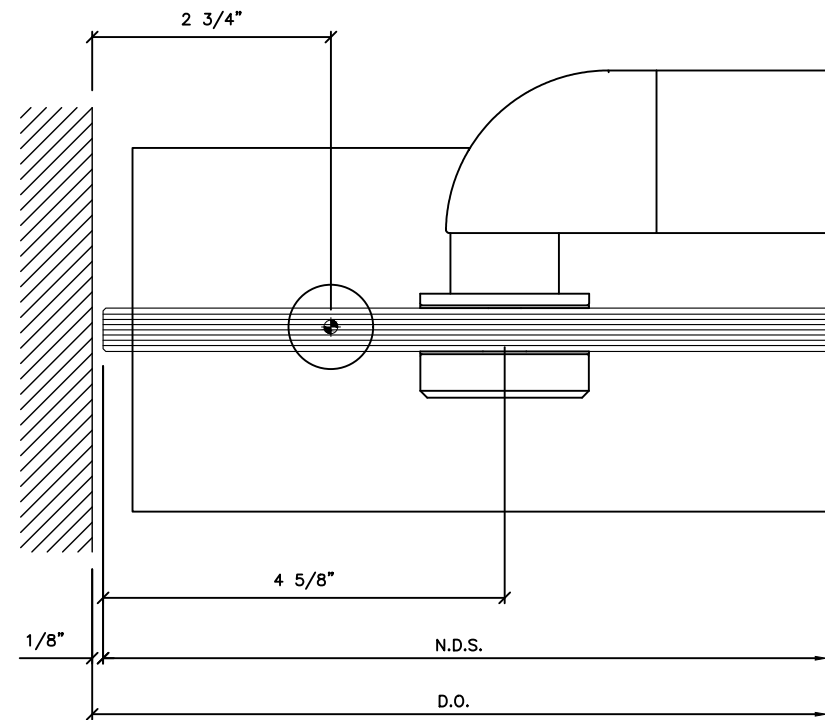
2503 E. Vernon Avenue, Los Angeles, CA 90058-1897  
PH (800)-421-6144 FX: 800-587-7501 www.crlaurence.com

Description:  
CRL BLUMCRAFT  
PA300 PANIC HANDLE  
FOR 1/2" AND 3/4" GLASS

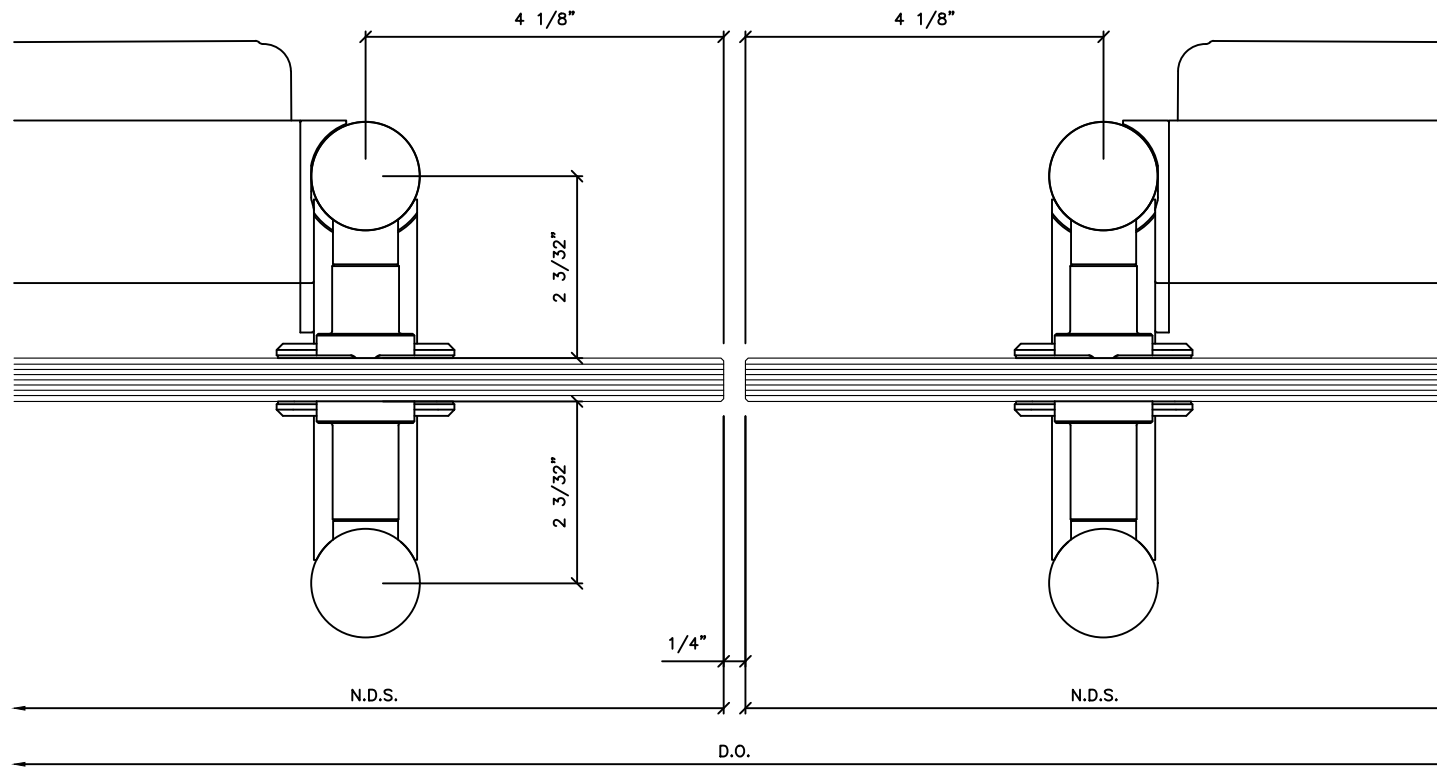
Drawn By: NW  
Date: 04/02/20  
Scale:  
File Name: WLDRLR3812.dwg

Sheet

23

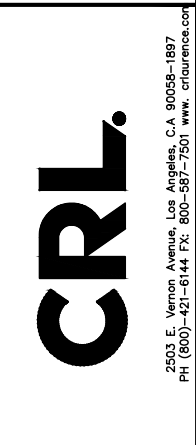


① PA310FS GLASS CONNECTION DETAIL @ DOOR JAMB  
 1:1 ARCH. REF.: N/A



② PA310FS GLASS CONNECTION DETAIL @ MEETING STILE  
 1:1 ARCH. REF.: NA

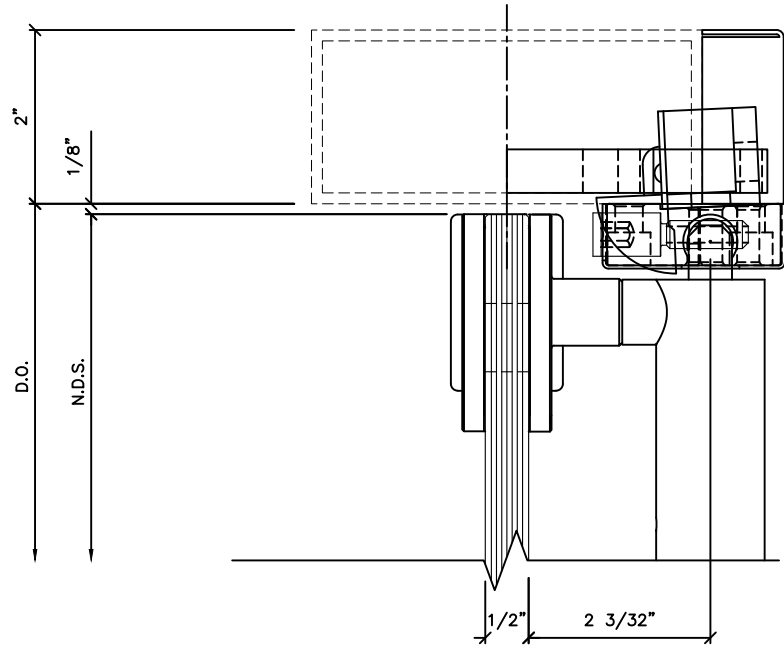
Revisions By:



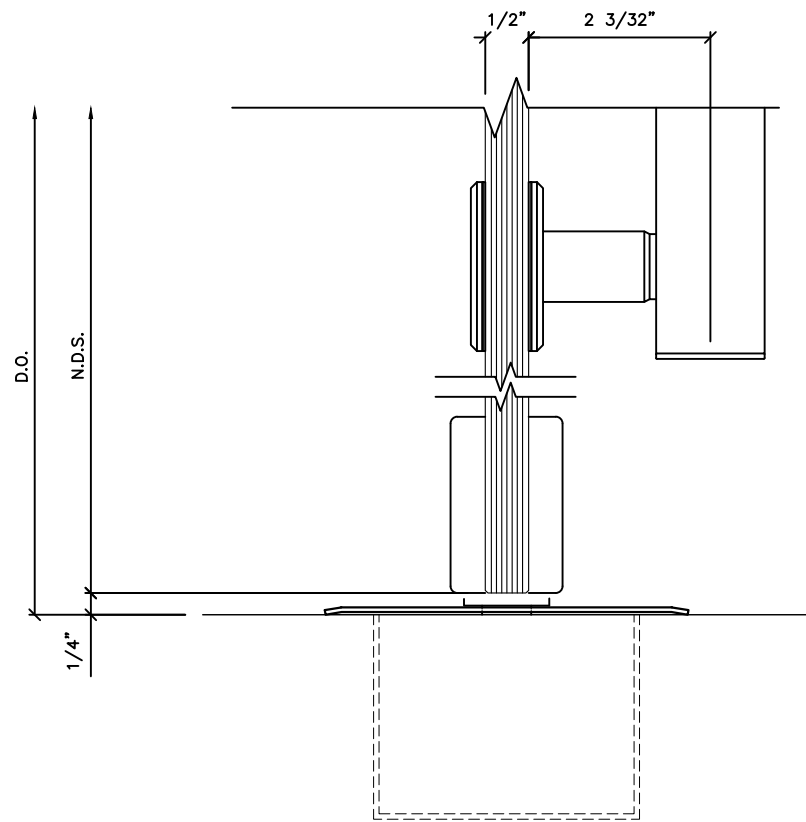
Description:  
 CRL BLUMCRAFT  
 PA300 PANIC HANDLE  
 FOR 1/2" AND 3/4" GLASS

Drawn By: NW  
 Date: 04/02/20  
 Scale:  
 File Name: WLDRLR3812.dwg

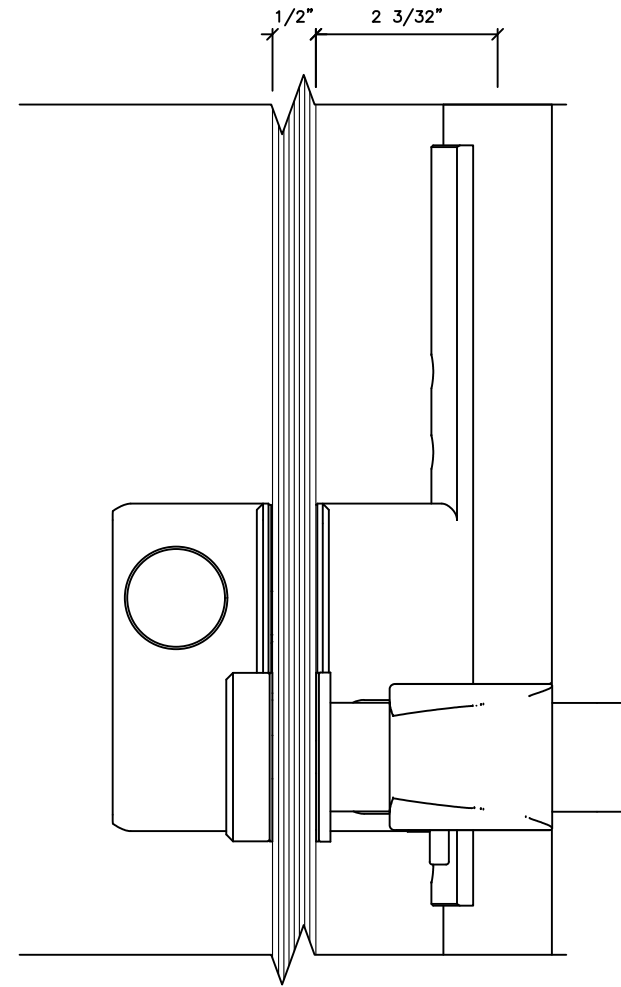




① PA310Z GLASS CONNECTION DETAIL @ HEAD  
1:1 ARCH. REF.: N/A



② PA310Z GLASS CONNECTION DETAIL @ SILL  
1:1 ARCH. REF.: N/A



③ PA310Z PANIC BAR DETAIL  
1:1 ARCH. REF.: N/A

Revisions By:

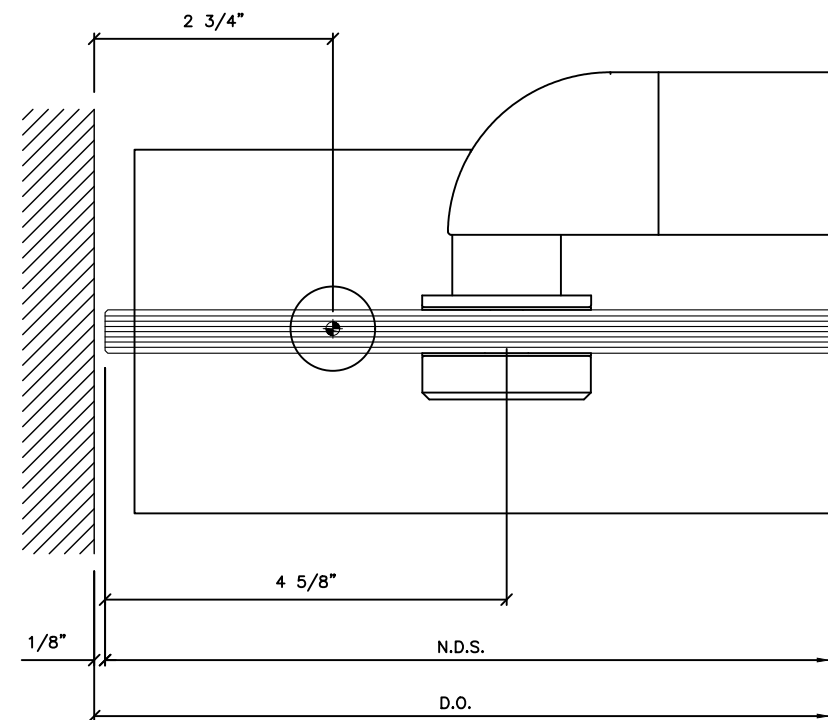
**CRL**

2503 E. Vernon Avenue, Los Angeles, CA 90058-1897  
PH (800)-421-6144 FX: 800-587-7501 www.crlaurence.com

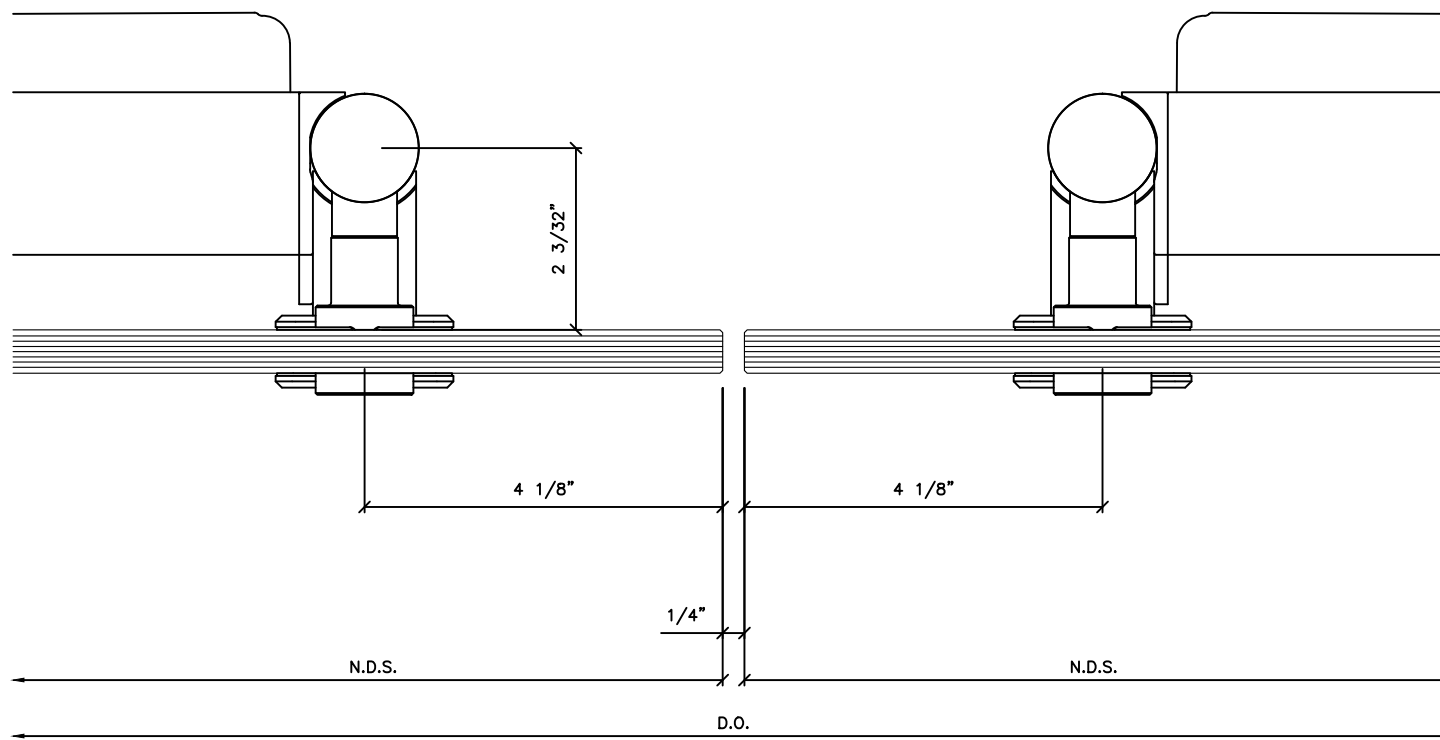
Description:  
CRL BLUMCRAFT  
PA300 PANIC HANDLE  
FOR 1/2" AND 3/4" GLASS

Drawn By: NW  
Date: 04/02/20  
Scale:  
File Name: WLDRLR3812.dwg

Sheet



① PA310Z GLASS CONNECTION DETAIL @ DOOR JAMB  
 1:1 ARCH. REF.: N/A



② PA310Z GLASS CONNECTION DETAIL @ MEETING STILE  
 1:1 ARCH. REF.: N/A

Revisions By:

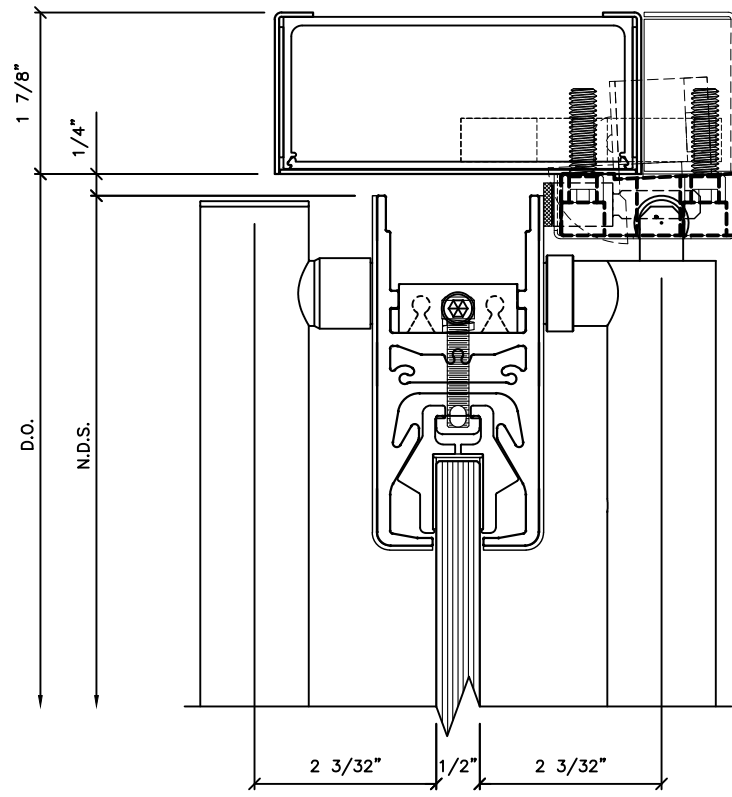
**CRL**

2503 E. Vernon Avenue, Los Angeles, CA 90058-1897  
 PH (800)-421-6144 FX: 800-587-7501 www.crlaurence.com

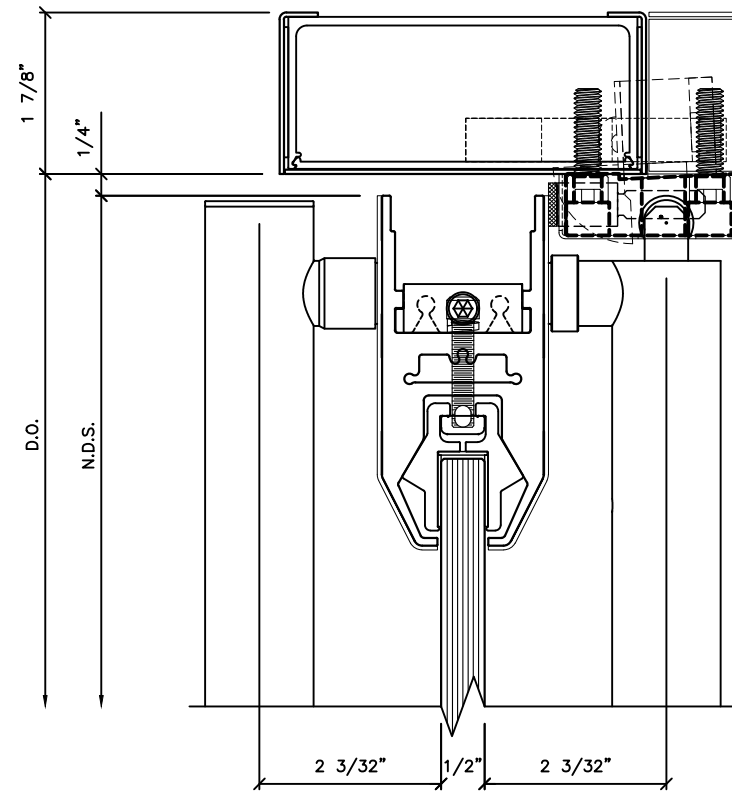
Description:  
 CRL BLUMCRAFT  
 PA300 PANIC HANDLE  
 FOR 1/2" AND 3/4" GLASS

Drawn By: NW  
 Date: 04/02/20  
 Scale:  
 File Name: WLDRLR3812.dwg

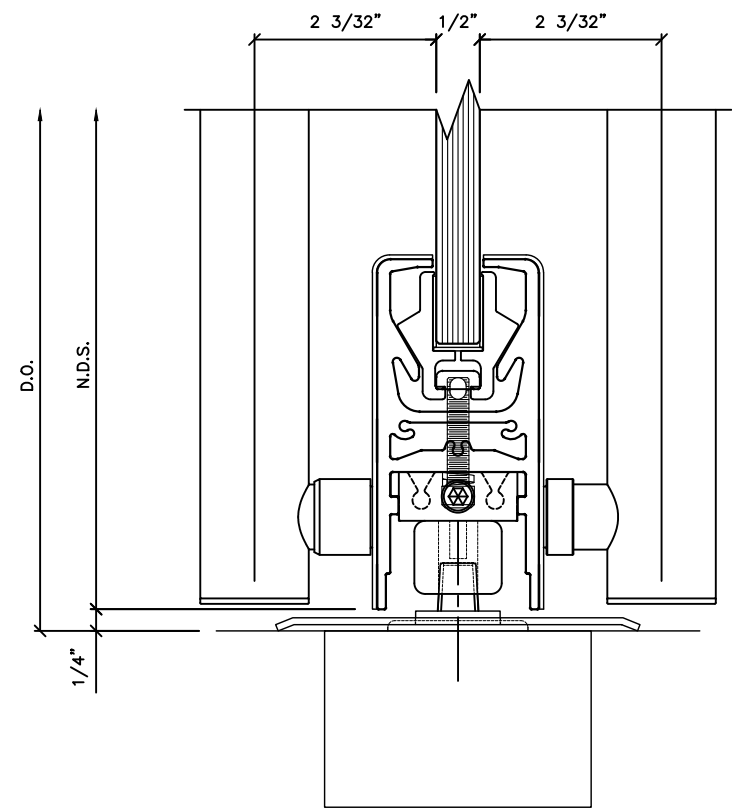
Sheet



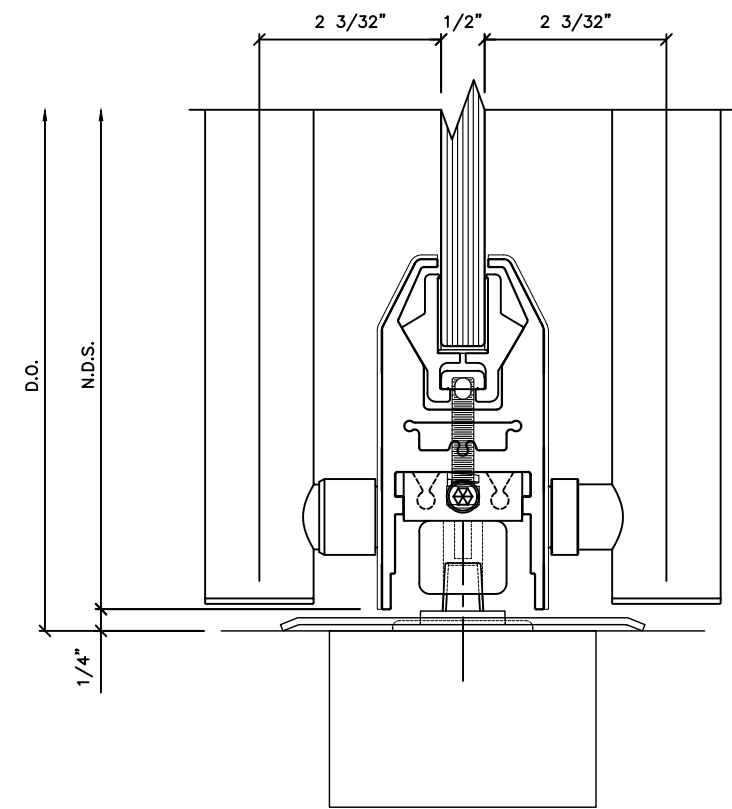
① PA300F RAIL CONNECTION DETAIL @ HEAD  
1:1 ARCH. REF.: N/A



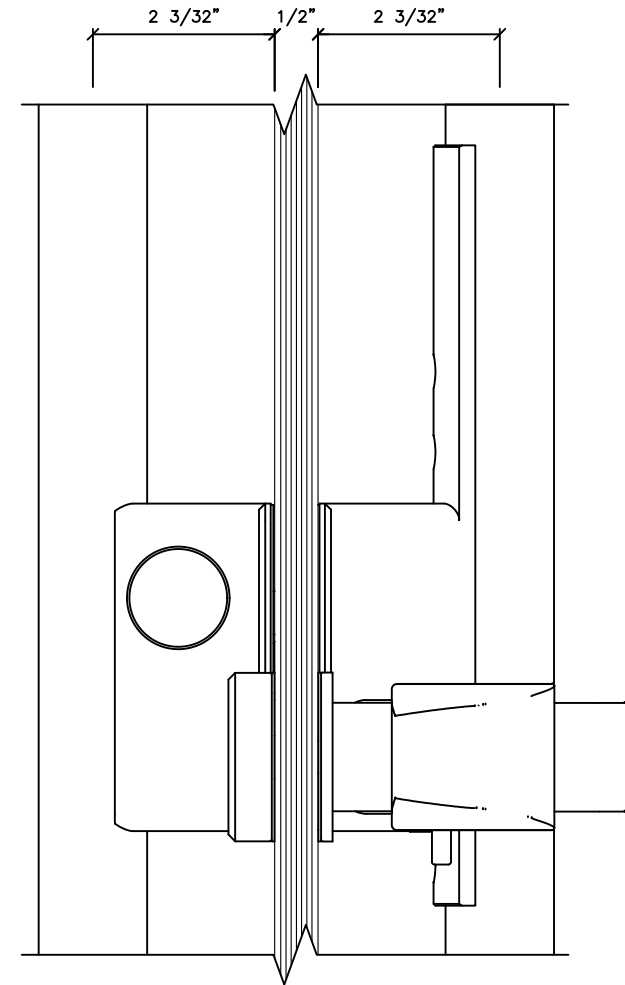
① PA300F RAIL CONNECTION DETAIL @ HEAD  
1:1 ARCH. REF.: N/A



② PA300F RAIL CONNECTION DETAIL @ SILL  
1:1 ARCH. REF.: N/A



② PA300F RAIL CONNECTION DETAIL @ SILL  
1:1 ARCH. REF.: N/A



③ PA300F PANIC BAR DETAIL  
1:1 ARCH. REF.: N/A

Revisions By:

**CRL**

2503 E. Vernon Avenue, Los Angeles, CA 90058-1897  
PH (800)-421-6144 FX: 800-587-7501 www.crlaurence.com

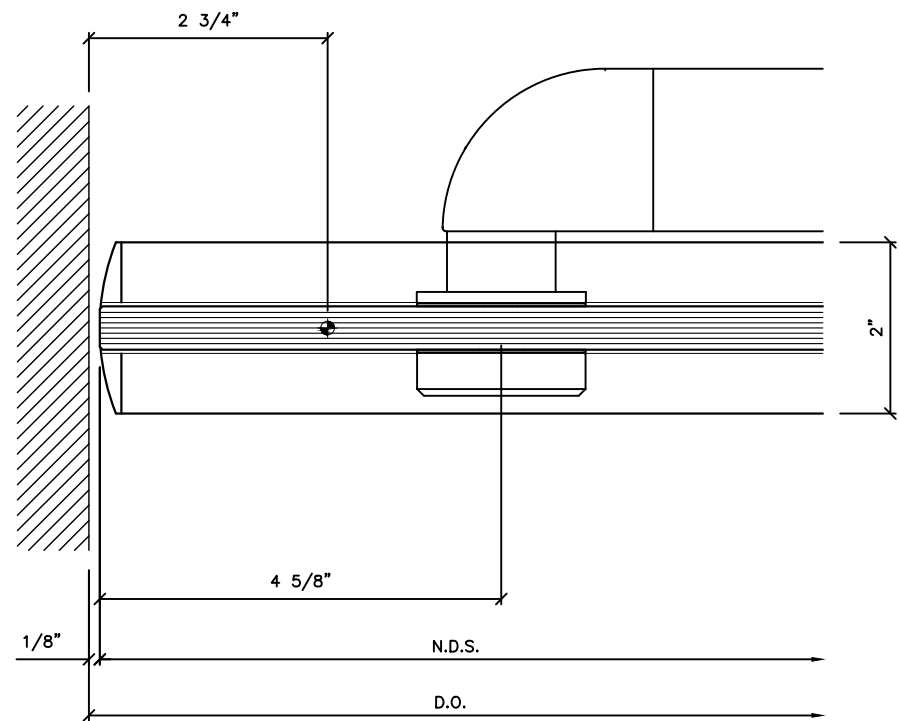
Description:  
CRL BLUMCRAFT  
PA300 PANIC HANDLE  
FOR 1/2" AND 3/4" GLASS

Drawn By: NW  
Date: 04/02/20  
Scale:  
File Name: WLDRLR3812.dwg

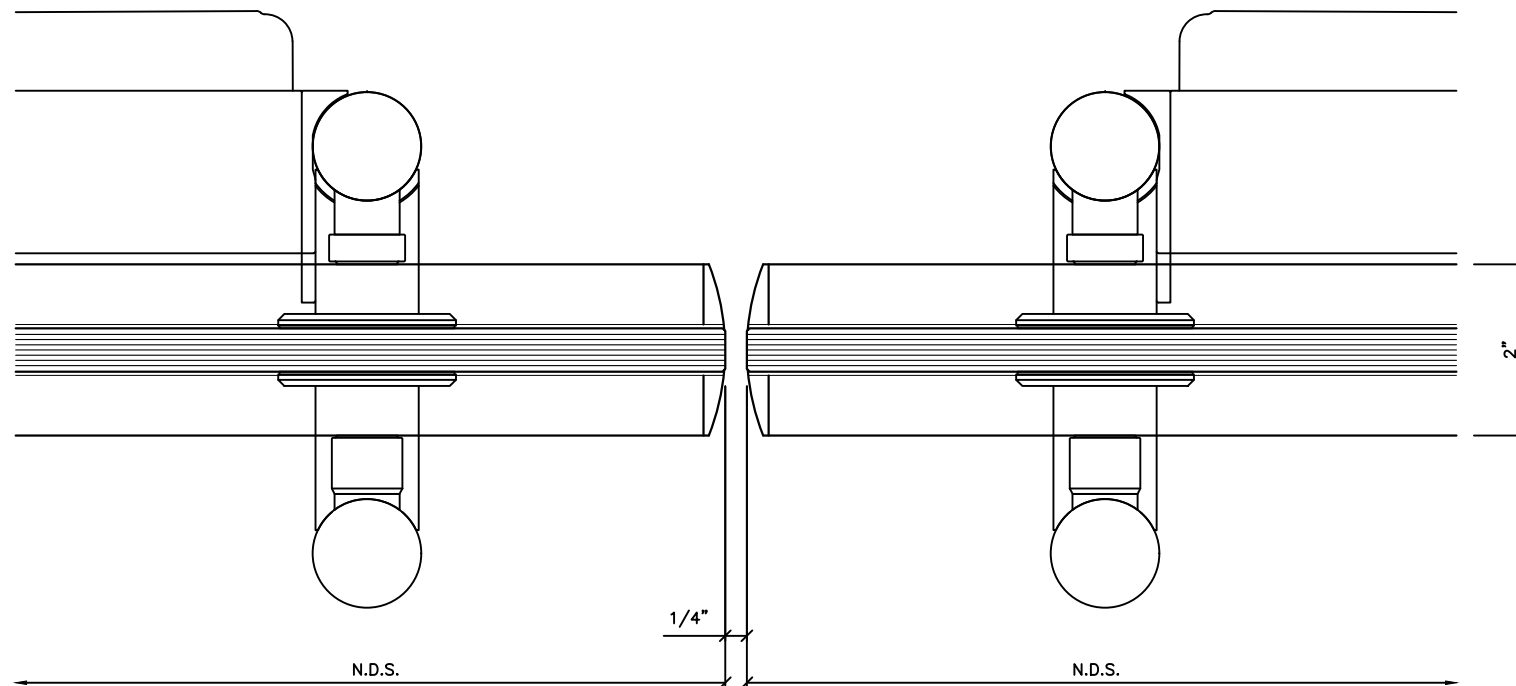
Sheet

27

Revisions By:



① PA300F RAIL CONNECTION DETAIL @ DOOR JAMB  
 1:1 ARCH. REF.: N/A



② PA300F RAIL CONNECTION DETAIL @ MEETING STILE  
 1:1 ARCH. REF.: N/A

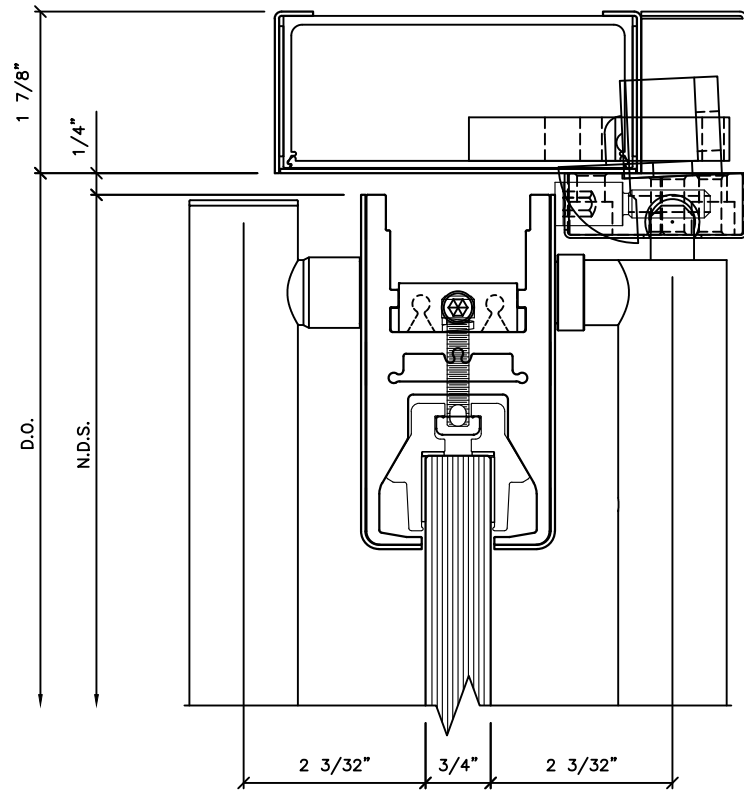
**CRL**

2503 E. Vernon Avenue, Los Angeles, CA 90058-1897  
 PH (800)-421-6144 FX: 800-587-7501 www.crlaurence.com

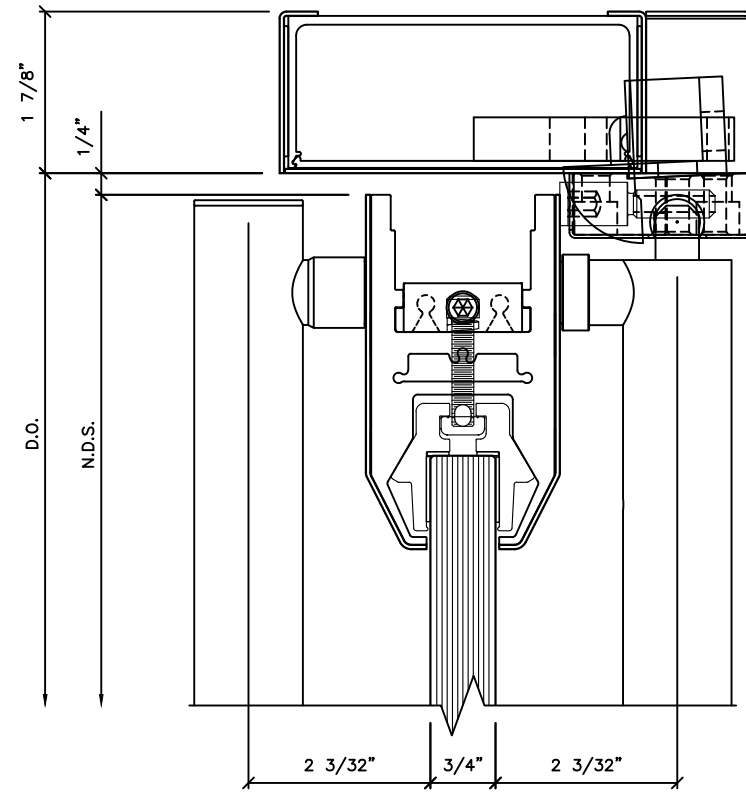
Description:  
 CRL BLUMCRAFT  
 PA300 PANIC HANDLE  
 FOR 1/2" AND 3/4" GLASS

Drawn By: NW  
 Date: 04/02/20  
 Scale:  
 File Name: WLDRLR3812.dwg

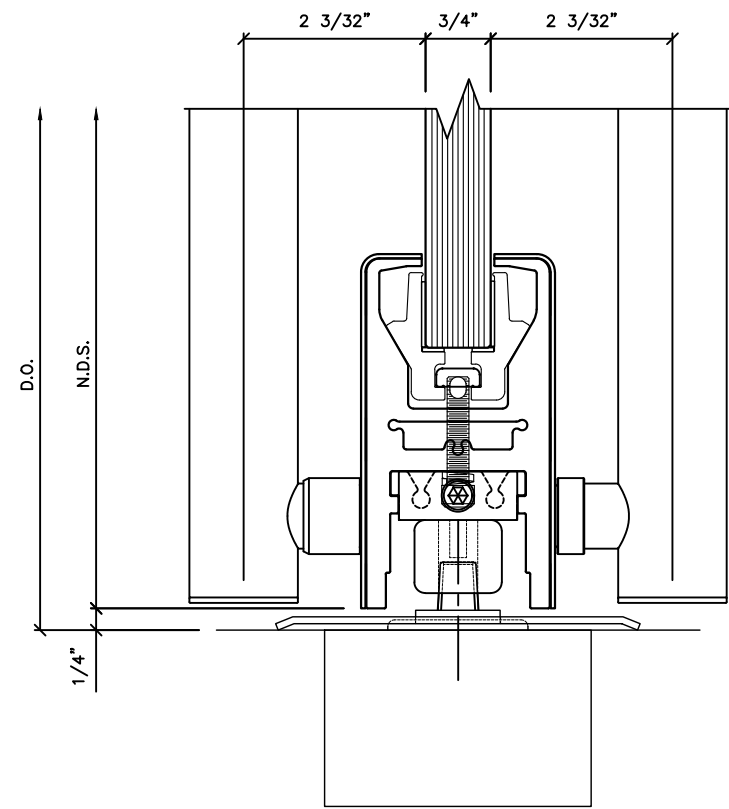
Sheet



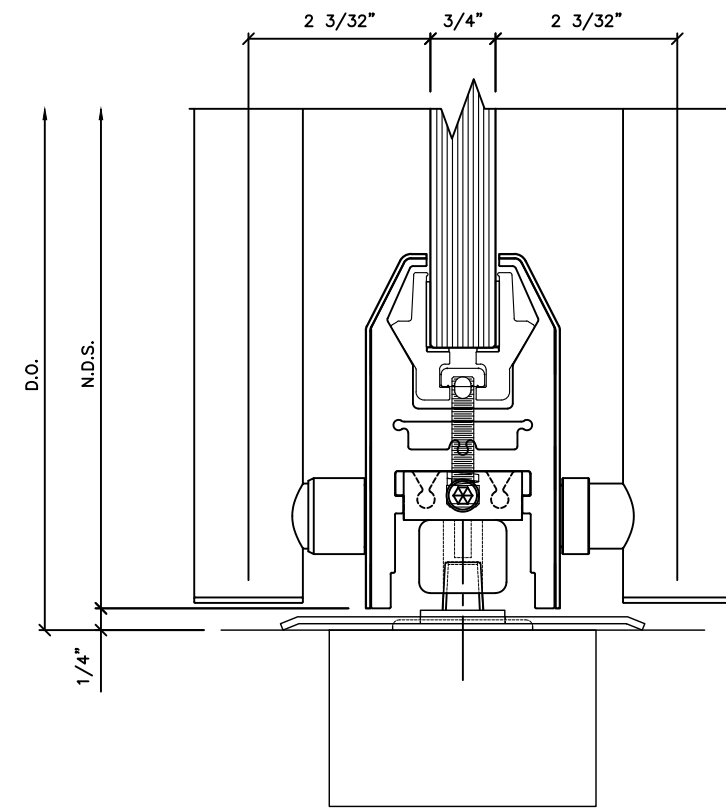
① PA300F RAIL CONNECTION DETAIL @ HEAD  
1:1 ARCH. REF.: N/A



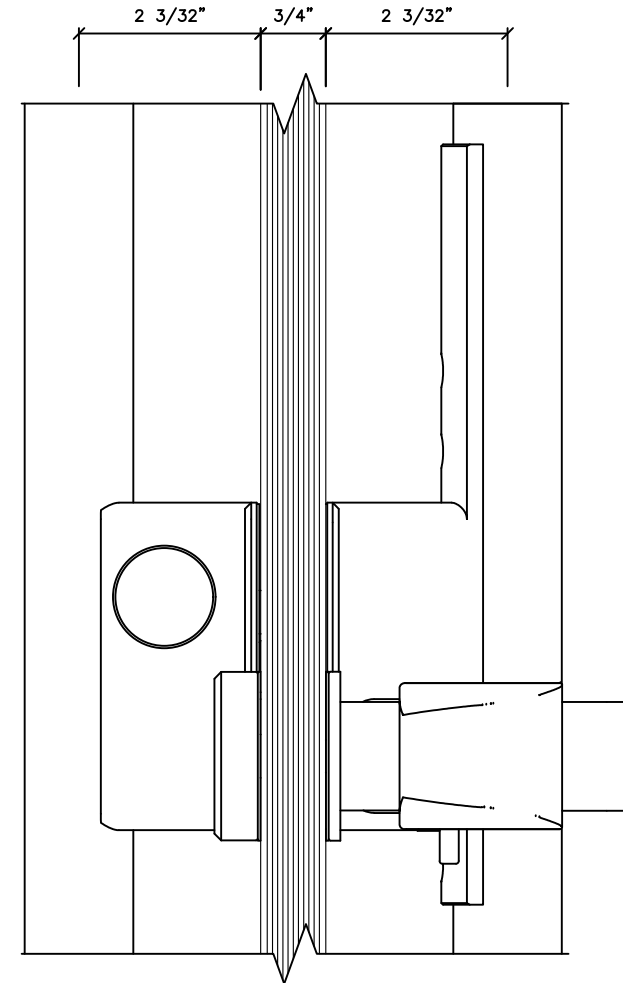
① PA300F RAIL CONNECTION DETAIL @ HEAD  
1:1 ARCH. REF.: N/A



② PA300F RAIL CONNECTION DETAIL @ SILL  
1:1 ARCH. REF.: N/A



② PA300F RAIL CONNECTION DETAIL @ SILL  
1:1 ARCH. REF.: N/A



③ PA300F PANIC BAR DETAIL  
1:1 ARCH. REF.: N/A

Revisions By:

**CRL**

2503 E. Vernon Avenue, Los Angeles, CA 90058-1897  
PH (800)-421-6144 FX: 800-587-7501 www.crlaurence.com

Description:  
CRL BLUMCRAFT  
PA300 PANIC HANDLE  
FOR 1/2" AND 3/4" GLASS

Drawn By: NW  
Date: 04/02/20  
Scale:  
File Name: WLDRLR3812.dwg

Sheet

Revisions By:

**CRL**

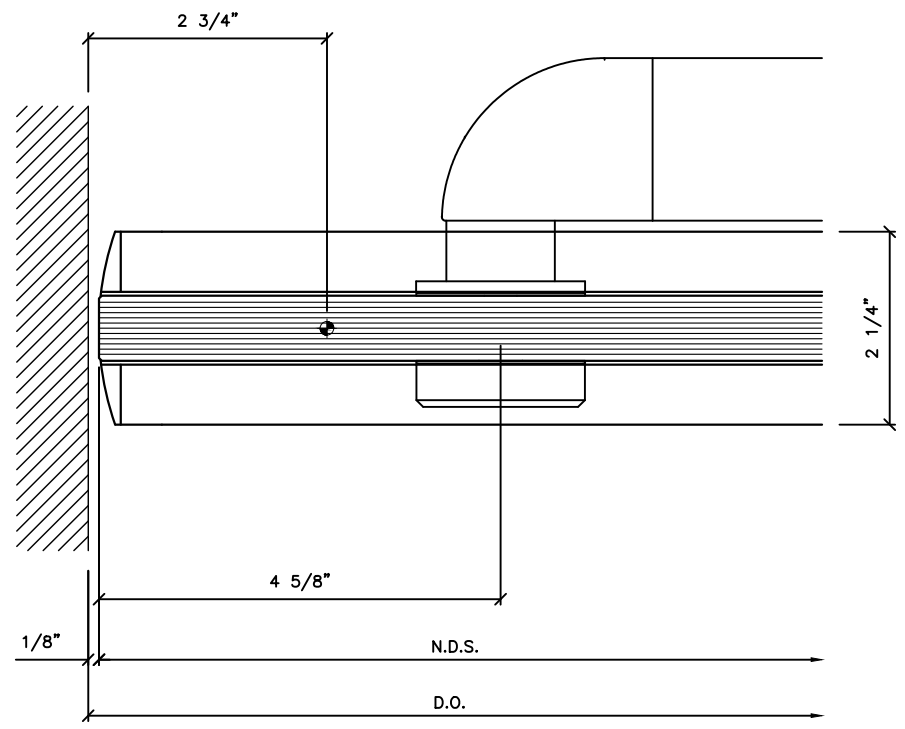
2503 E. Vernon Avenue, Los Angeles, CA 90058-1897  
PH (800)-421-6144 FX: 800-587-7501 www.crlaurence.com

Description:  
CRL BLUMCRAFT  
PA300 PANIC HANDLE  
FOR 1/2" AND 3/4" GLASS

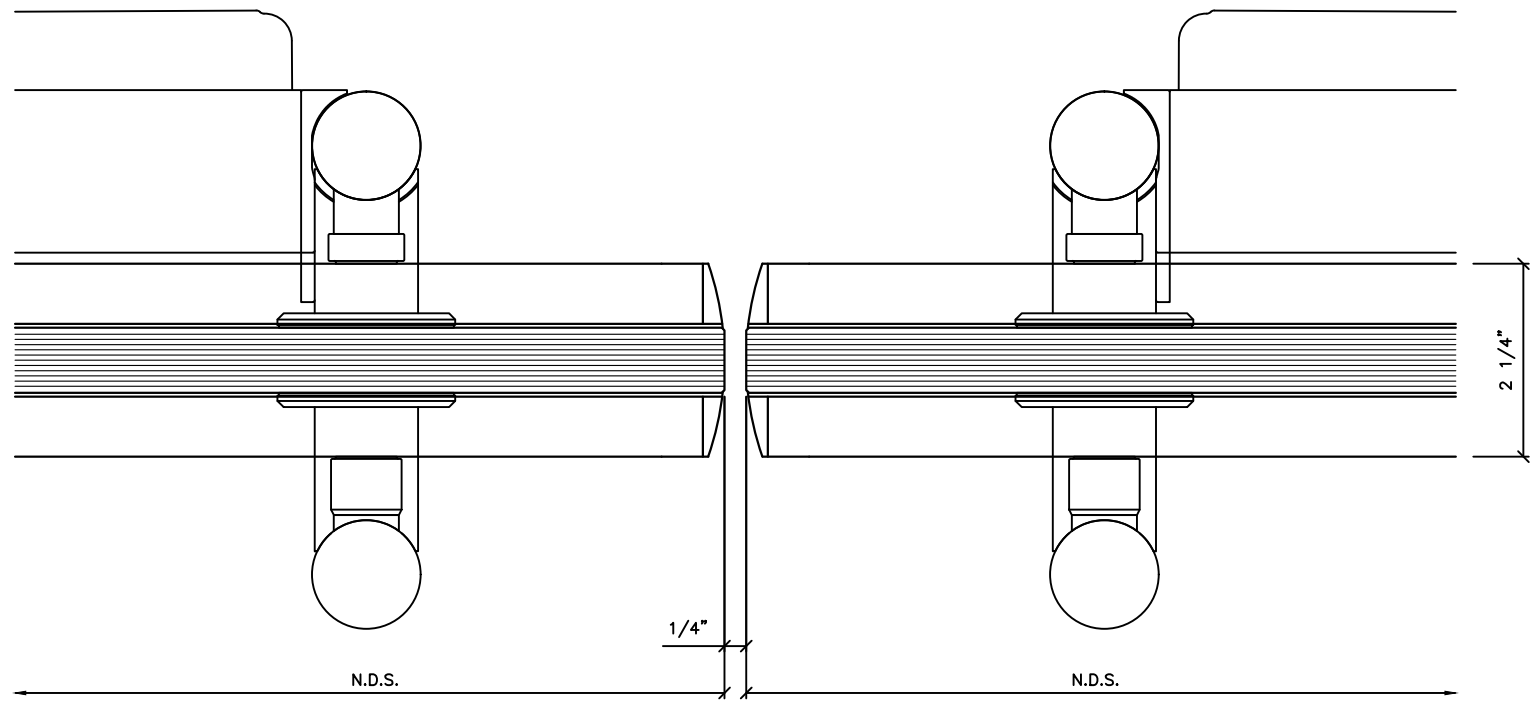
Drawn By: NW  
Date: 04/02/20  
Scale:  
File Name: WLDRLR3812.dwg

Sheet

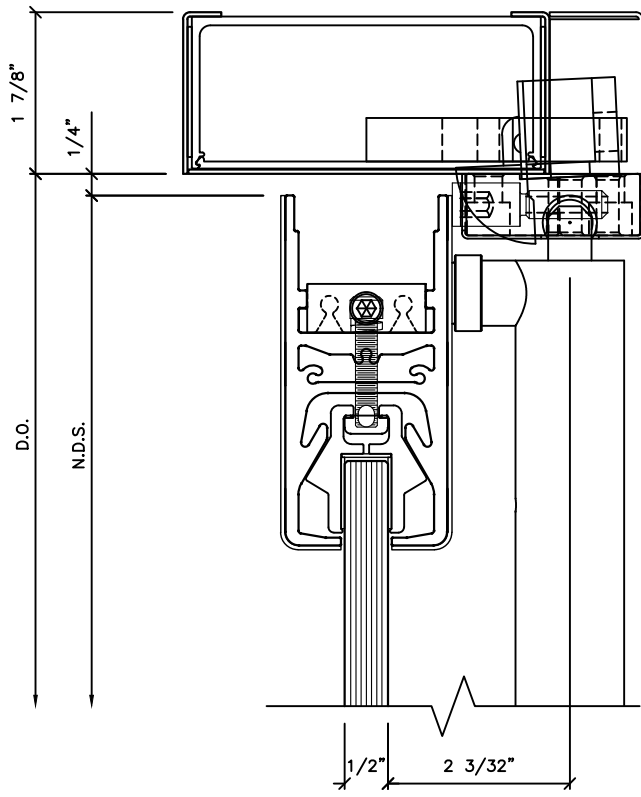
30



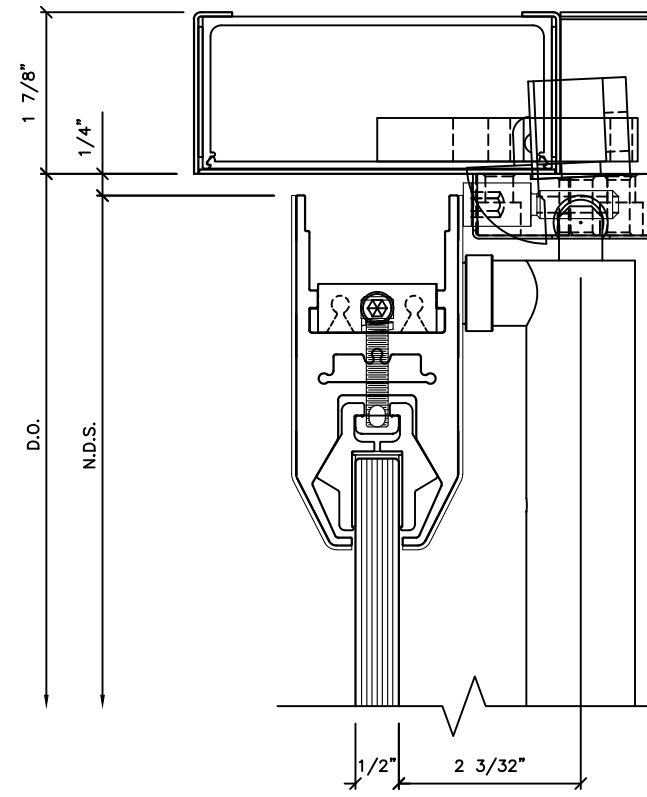
① PA300F RAIL CONNECTION DETAIL @ DOOR JAMB  
1:1 ARCH. REF.: N/A



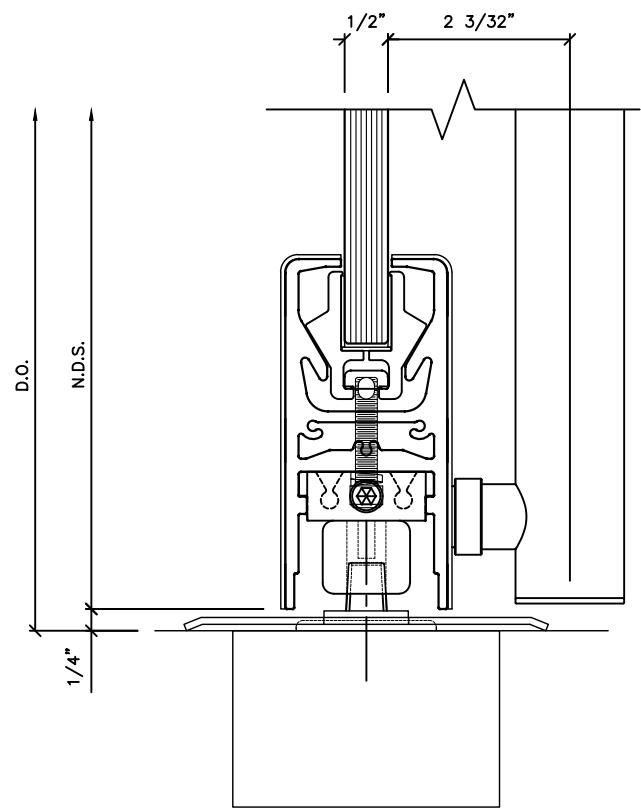
② PA300F RAIL CONNECTION DETAIL @ MEETING STILE  
1:1 ARCH. REF.: N/A



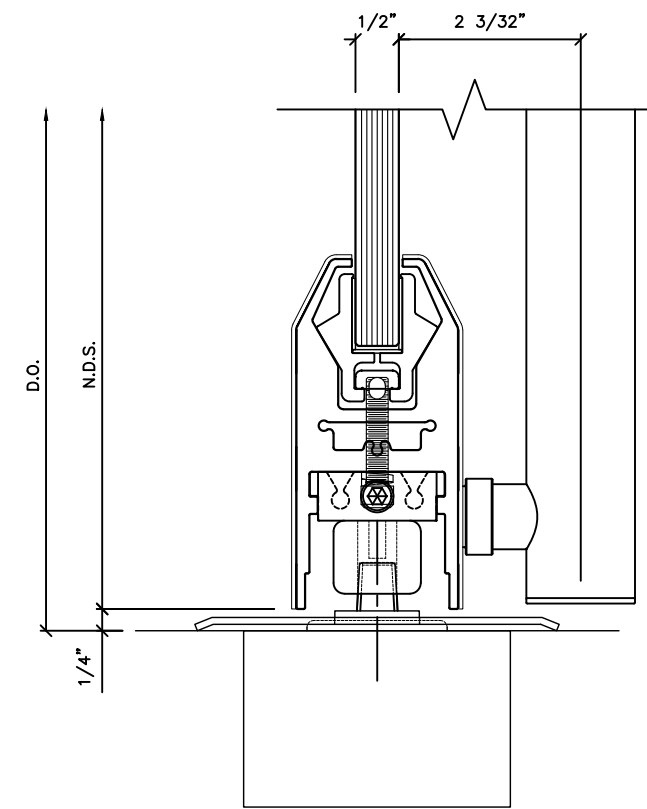
① PA300Z RAIL CONNECTION DETAIL @ HEAD  
1:1 ARCH. REF.: N/A



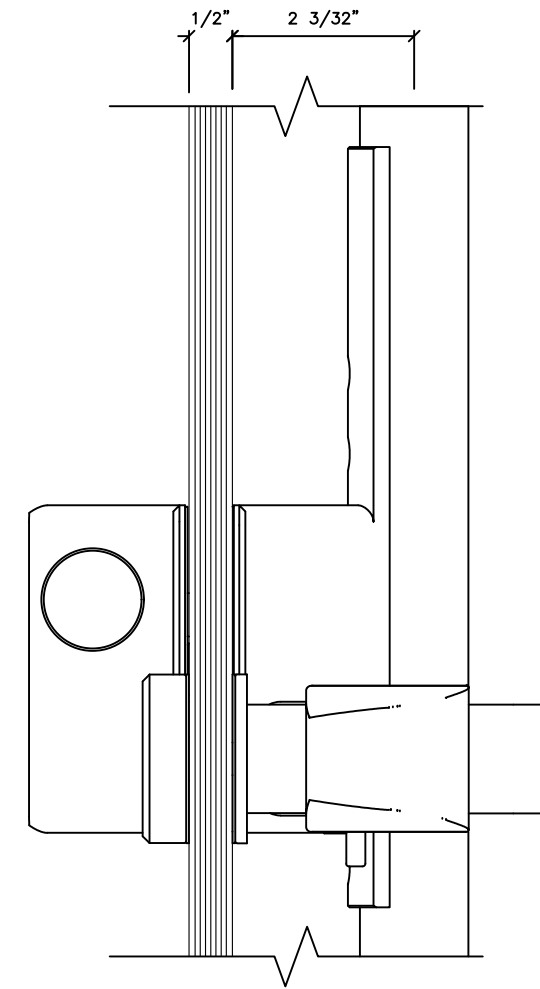
① PA300Z RAIL CONNECTION DETAIL @ HEAD  
1:1 ARCH. REF.: N/A



② PA300Z RAIL CONNECTION DETAIL @ SILL  
1:1 ARCH. REF.: N/A



② PA300Z RAIL CONNECTION DETAIL @ SILL  
1:1 ARCH. REF.: N/A



③ PA300Z PANIC BAR DETAIL  
1:1 ARCH. REF.: N/A

Revisions By:

**CRL**

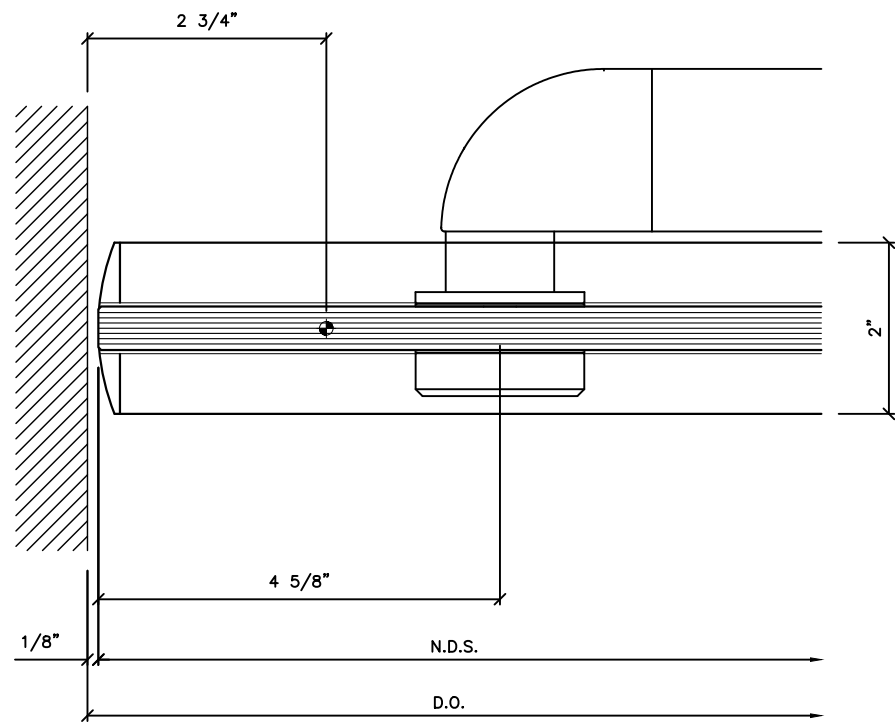
2503 E. Vernon Avenue, Los Angeles, CA 90058-1897  
PH (800)-421-6144 FX: 800-587-7501 www.crlaurence.com

Description:  
CRL BLUMCRAFT  
PA300 PANIC HANDLE  
FOR 1/2" AND 3/4" GLASS

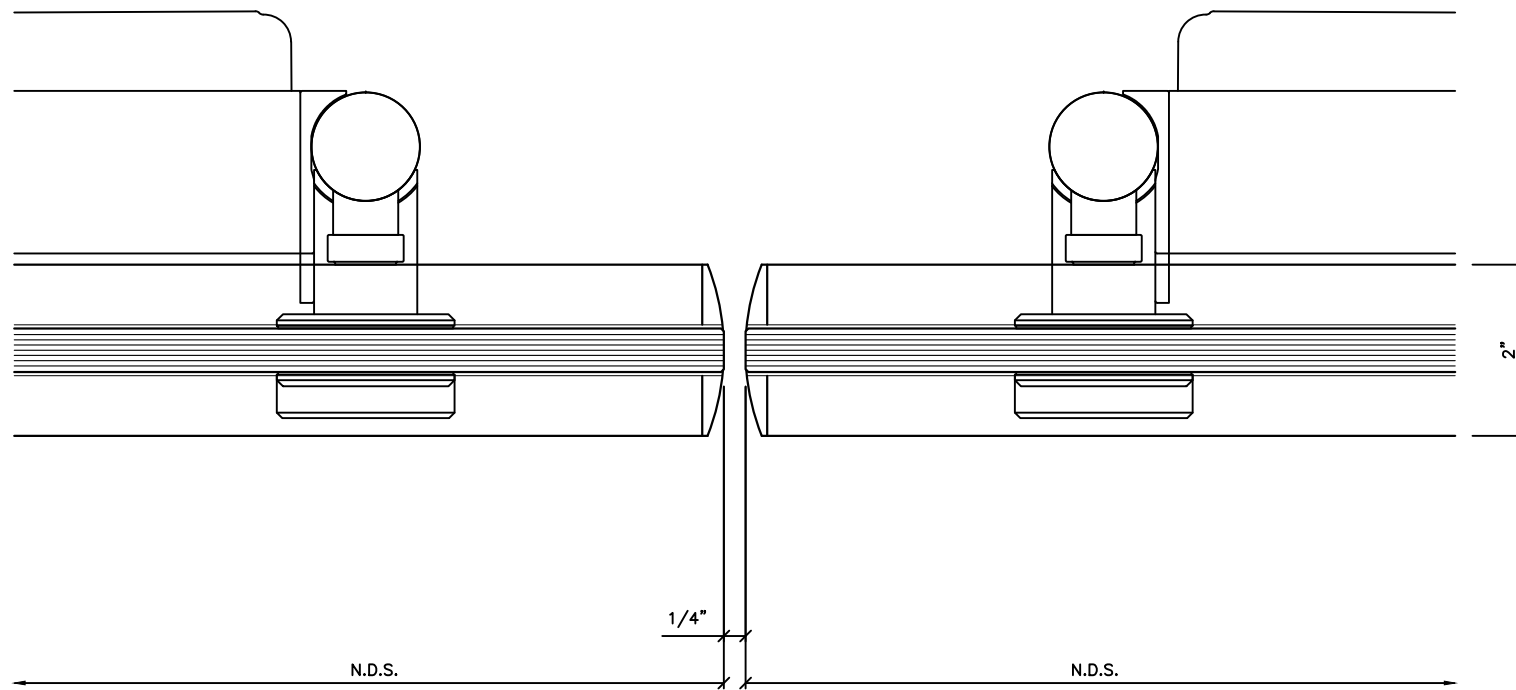
Drawn By: NW  
Date: 04/02/20  
Scale:  
File Name: WLDRLR3812.dwg

Sheet

Revisions By:



① PA300Z RAIL CONNECTION DETAIL @ DOOR JAMB  
 1:1 ARCH. REF.: N/A



② PA300Z RAIL CONNECTION DETAIL @ MEETING STILE  
 1:1 ARCH. REF.: N/A

# CRL

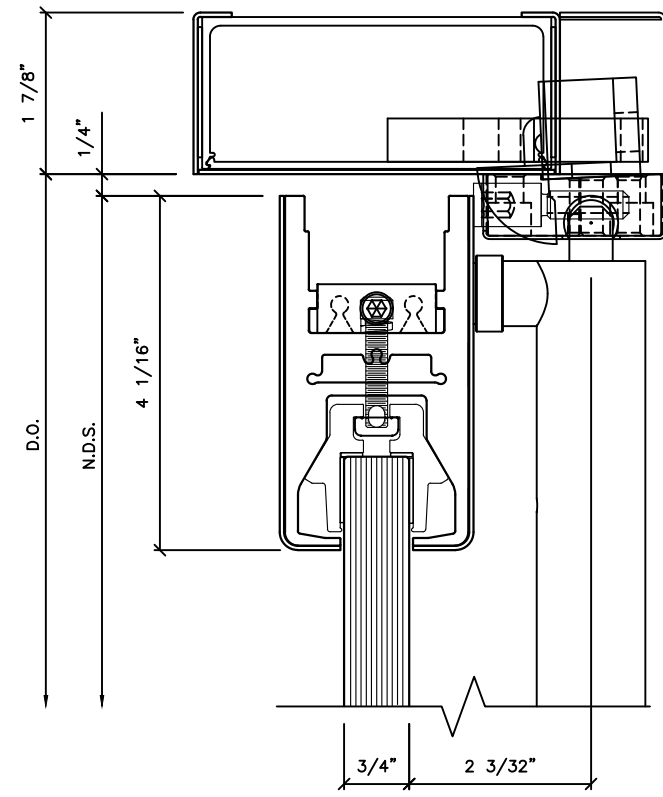
2503 E. Vernon Avenue, Los Angeles, CA 90058-1897  
 PH (800)-421-6144 FX: 800-587-7501 www.crlaurence.com

Description:  
 CRL BLUMCRAFT  
 PA300 PANIC HANDLE  
 FOR 1 1/2" AND 3/4" GLASS

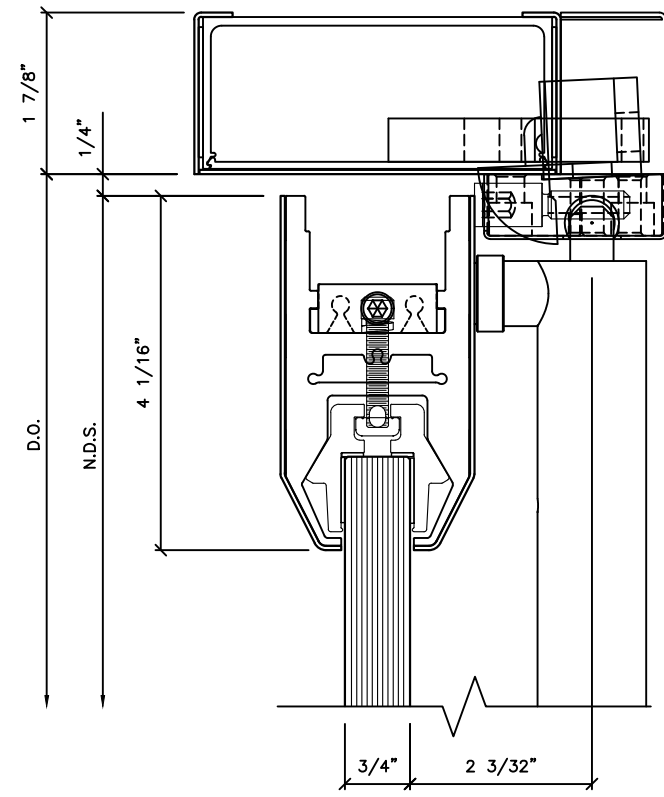
Drawn By: NW  
 Date: 04/02/20  
 Scale:  
 File Name: WLDRLR3812.dwg

Sheet

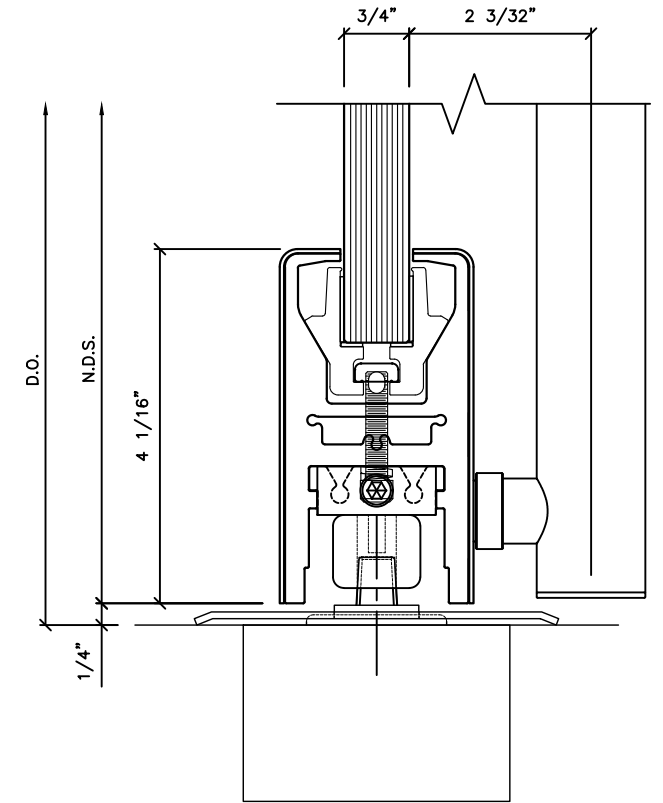




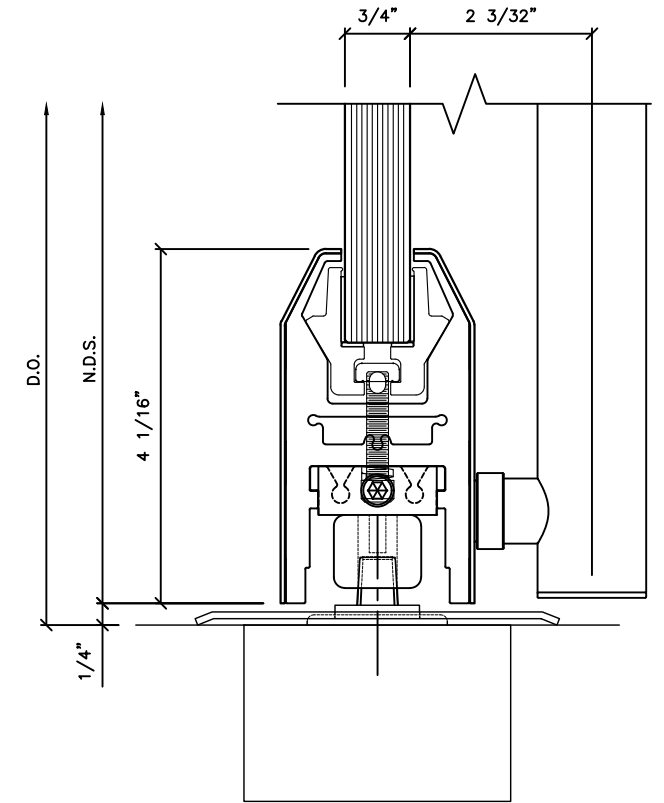
1 PA300Z RAIL CONNECTION DETAIL @ HEAD  
1:1 ARCH. REF.: N/A



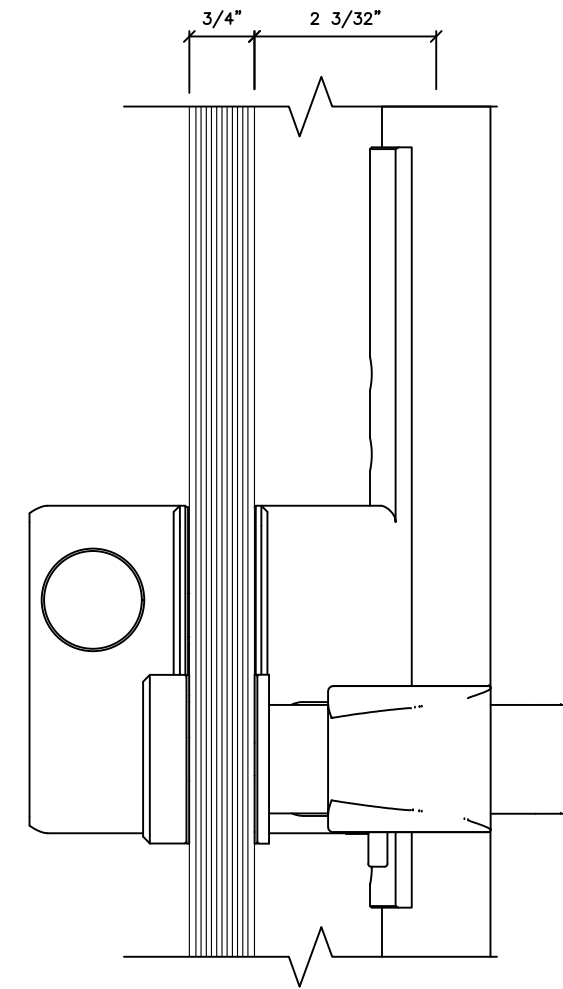
1 PA300Z RAIL CONNECTION DETAIL @ HEAD  
1:1 ARCH. REF.: N/A



2 PA300Z RAIL CONNECTION DETAIL @ SILL  
1:1 ARCH. REF.: N/A



2 PA300Z RAIL CONNECTION DETAIL @ SILL  
1:1 ARCH. REF.: N/A



3 PA300Z PANIC BAR DETAIL  
1:1 ARCH. REF.: N/A

Revisions By:

**CRL**

2503 E. Vernon Avenue, Los Angeles, CA 90058-1897  
PH (800)-421-6144 FX: 800-587-7501 www.crlaurence.com

Description:  
CRL BLUMCRAFT  
PA300 PANIC HANDLE  
FOR 1/2" AND 3/4" GLASS

Drawn By: NW  
Date: 04/02/20  
Scale:  
File Name: WLDRLR3812.dwg

Sheet

33

Revisions By:

**CRL**

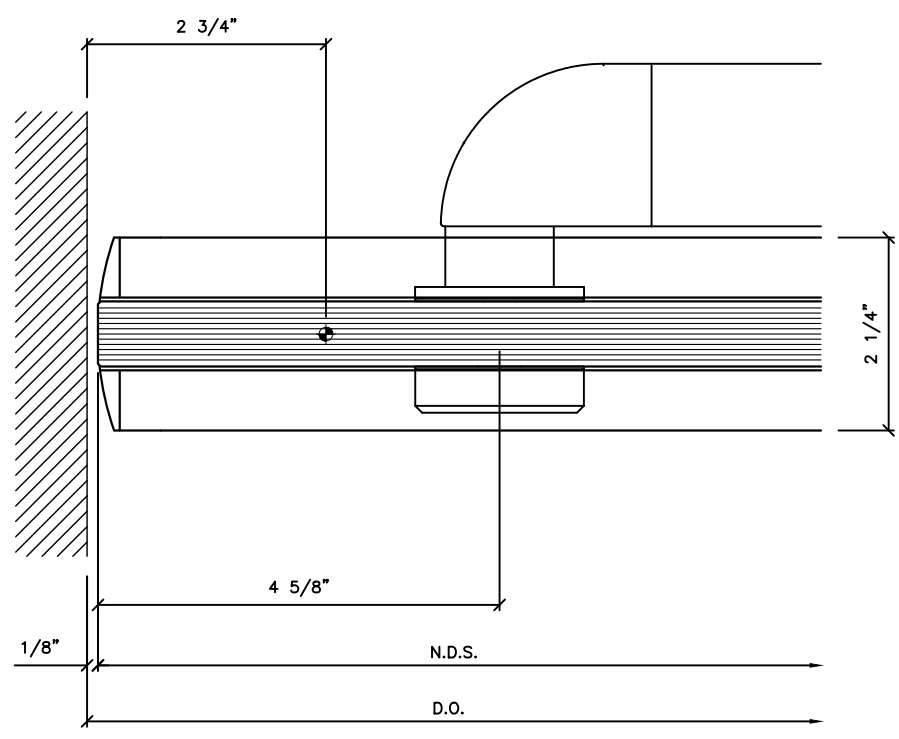
2503 E. Vernon Avenue, Los Angeles, CA 90058-1897  
PH (800)-421-6144 FX: 800-587-7501 www.crlaurence.com

Description:  
CRL BLUMCRAFT  
PA300 PANIC HANDLE  
FOR 1/2" AND 3/4" GLASS

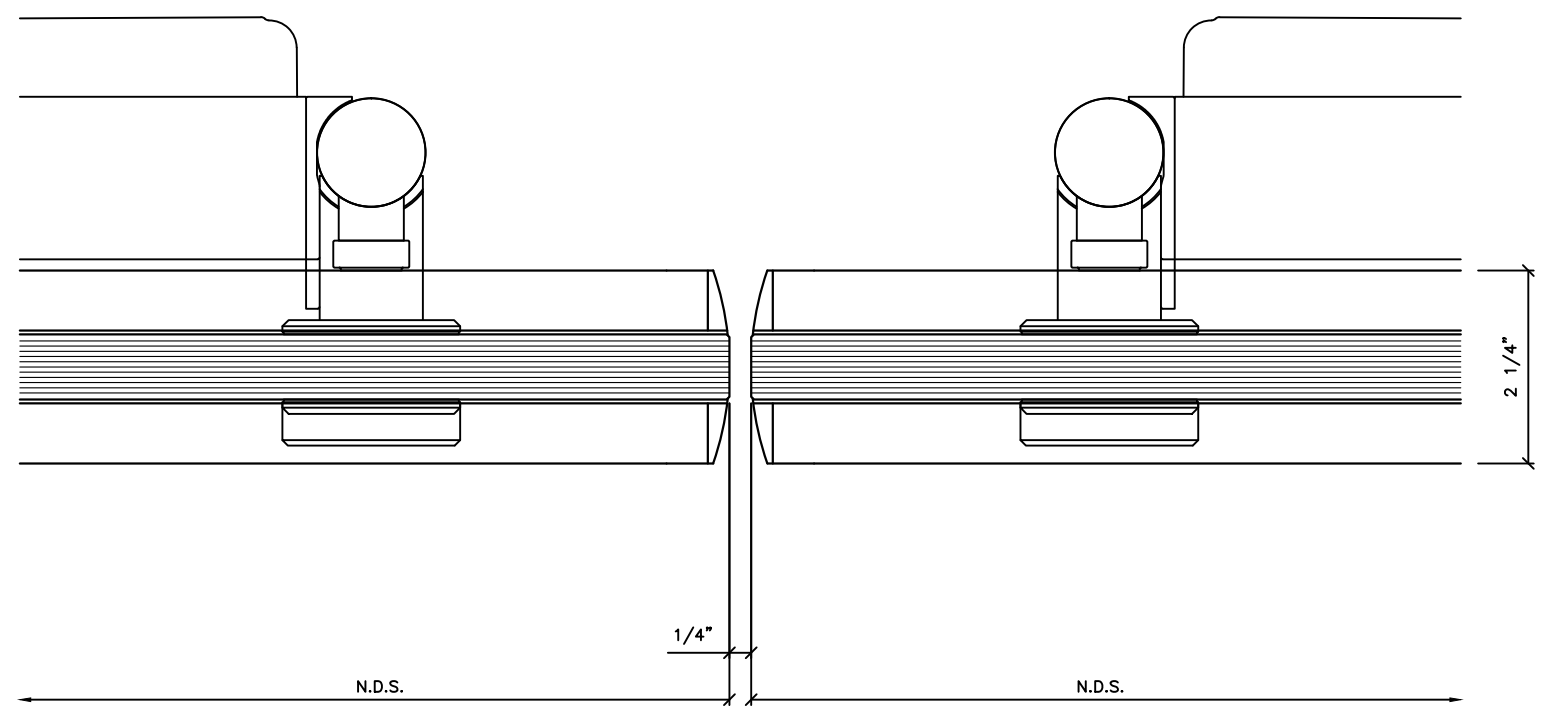
Drawn By: NW  
Date: 04/02/20  
Scale:  
File Name: WLDRLR3812.dwg

Sheet

34



1 PA300Z RAIL CONNECTION DETAIL @ DOOR JAMB  
1:1 ARCH. REF.: N/A



2 PA300Z RAIL CONNECTION DETAIL @ MEETING STILE  
1:1 ARCH. REF.: N/A

Revisions By:

# CRL

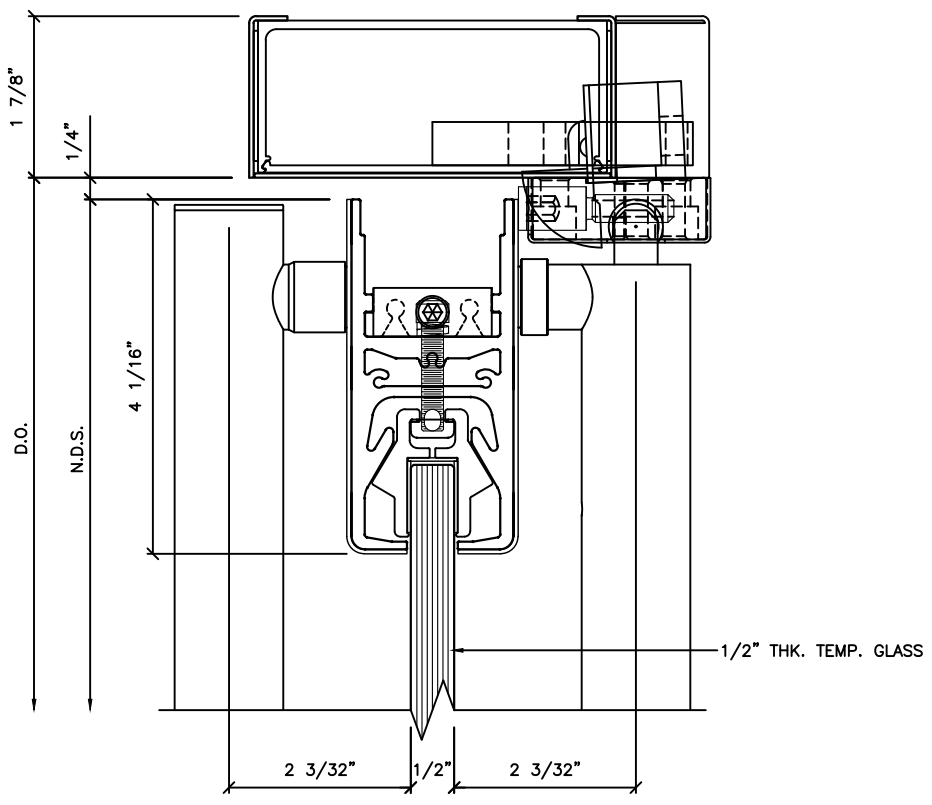
2503 E. Vernon Avenue, Los Angeles, CA 90058-1897  
PH (800)-421-6144 FX: 800-587-7501 www.crlaurence.com

Description:  
CRL BLUMCRAFT  
PA300 PANIC HANDLE  
FOR 1/2" AND 3/4" GLASS

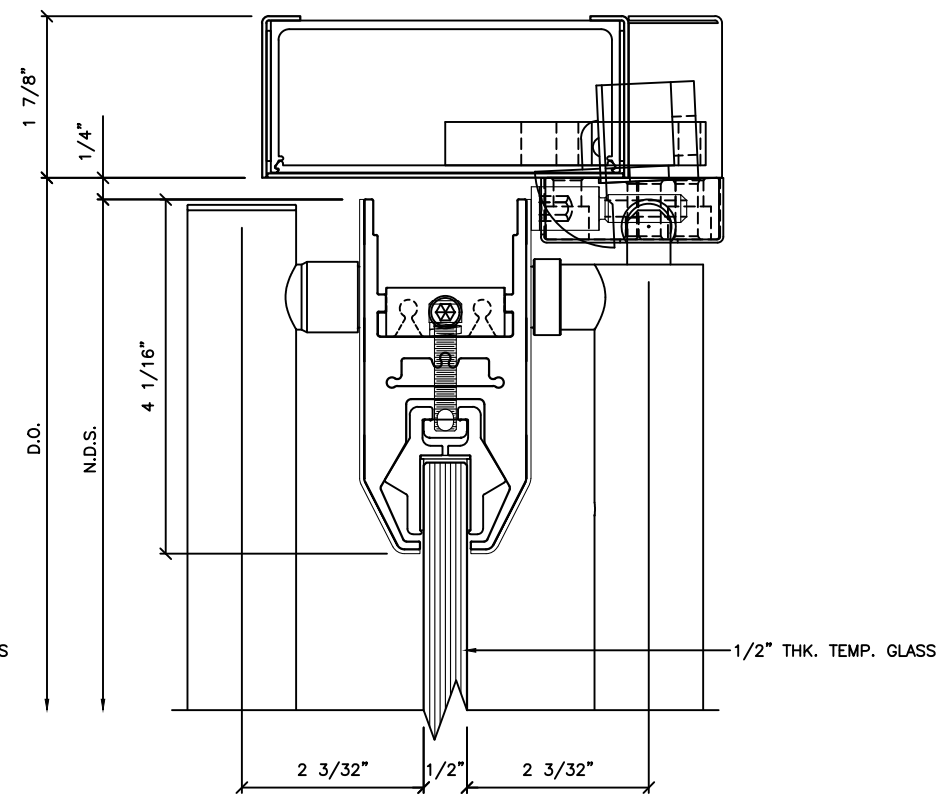
Drawn By: NW  
Date: 04/02/20  
Scale:  
File Name: WLDRLR3812.dwg

Sheet

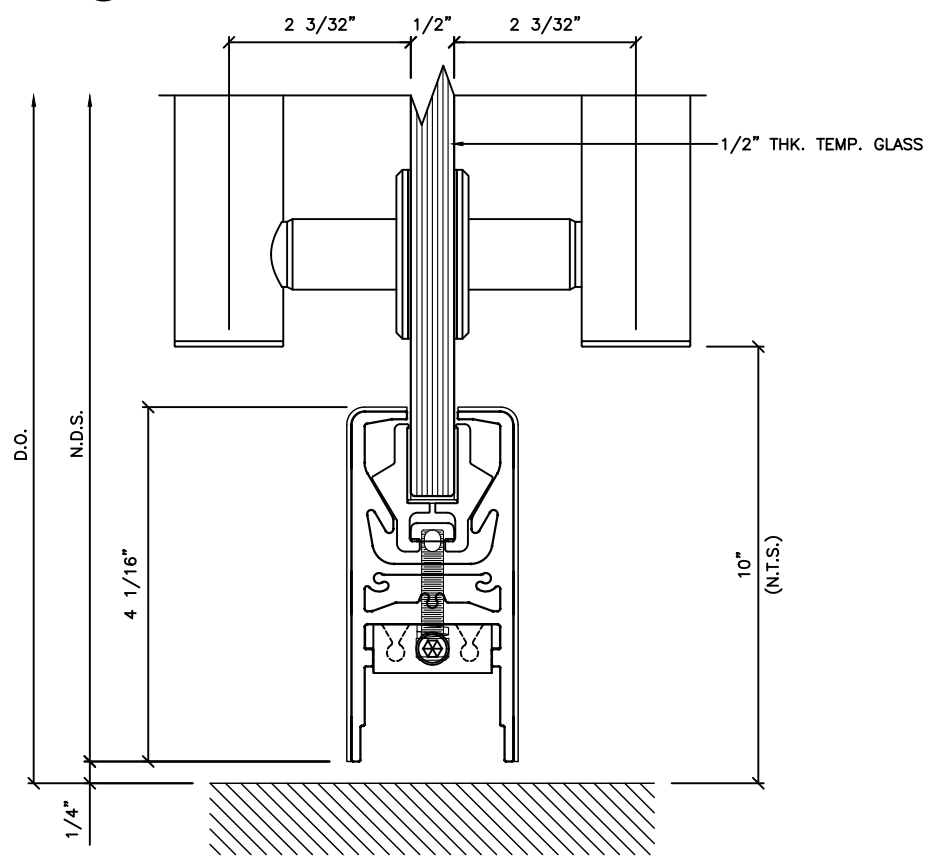
35



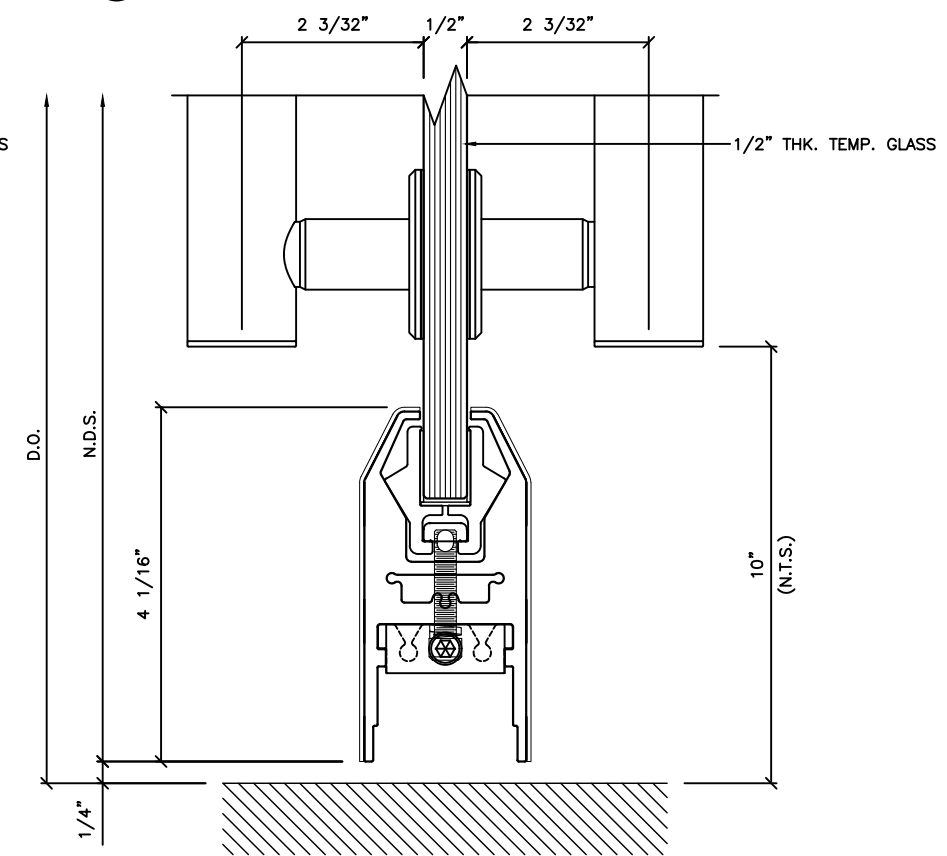
1 PA310FS RAIL CONNECTION DETAIL @ HEAD  
1:1 ARCH. REF.: N/A



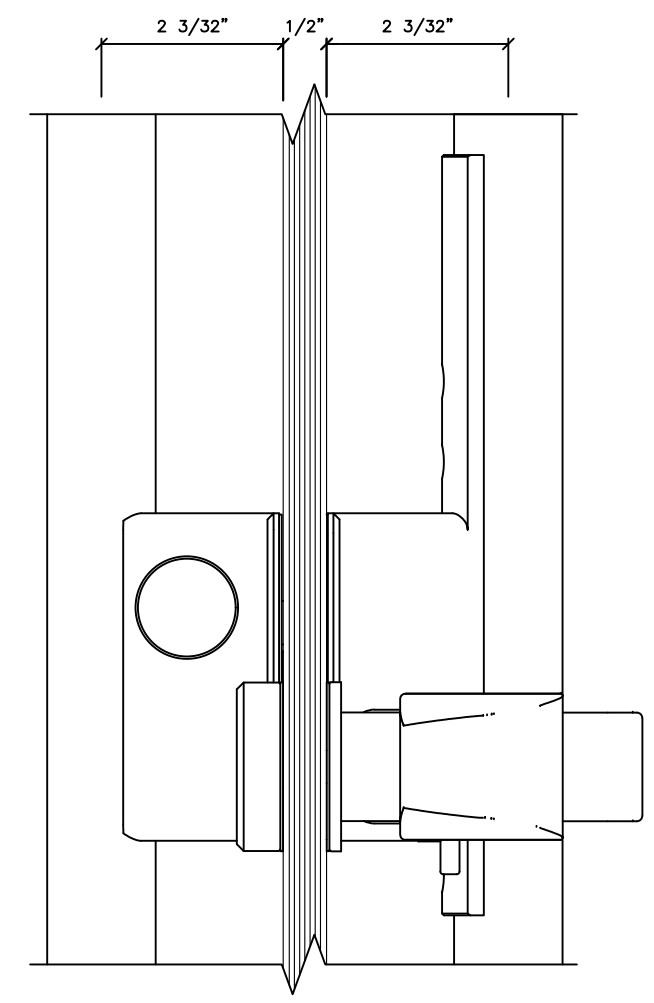
1 PA310FS RAIL CONNECTION DETAIL @ HEAD  
1:1 ARCH. REF.: N/A



2 PA310FS RAIL CONNECTION DETAIL @ SILL  
1:1 ARCH. REF.: N/A

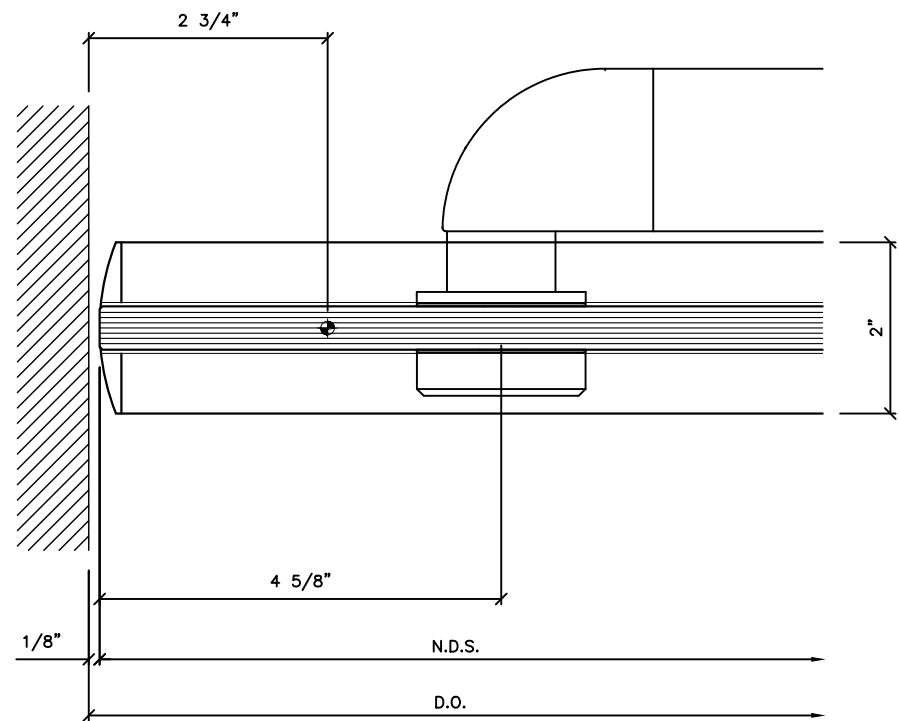


2 PA310FS RAIL CONNECTION DETAIL @ SILL  
1:1 ARCH. REF.: N/A

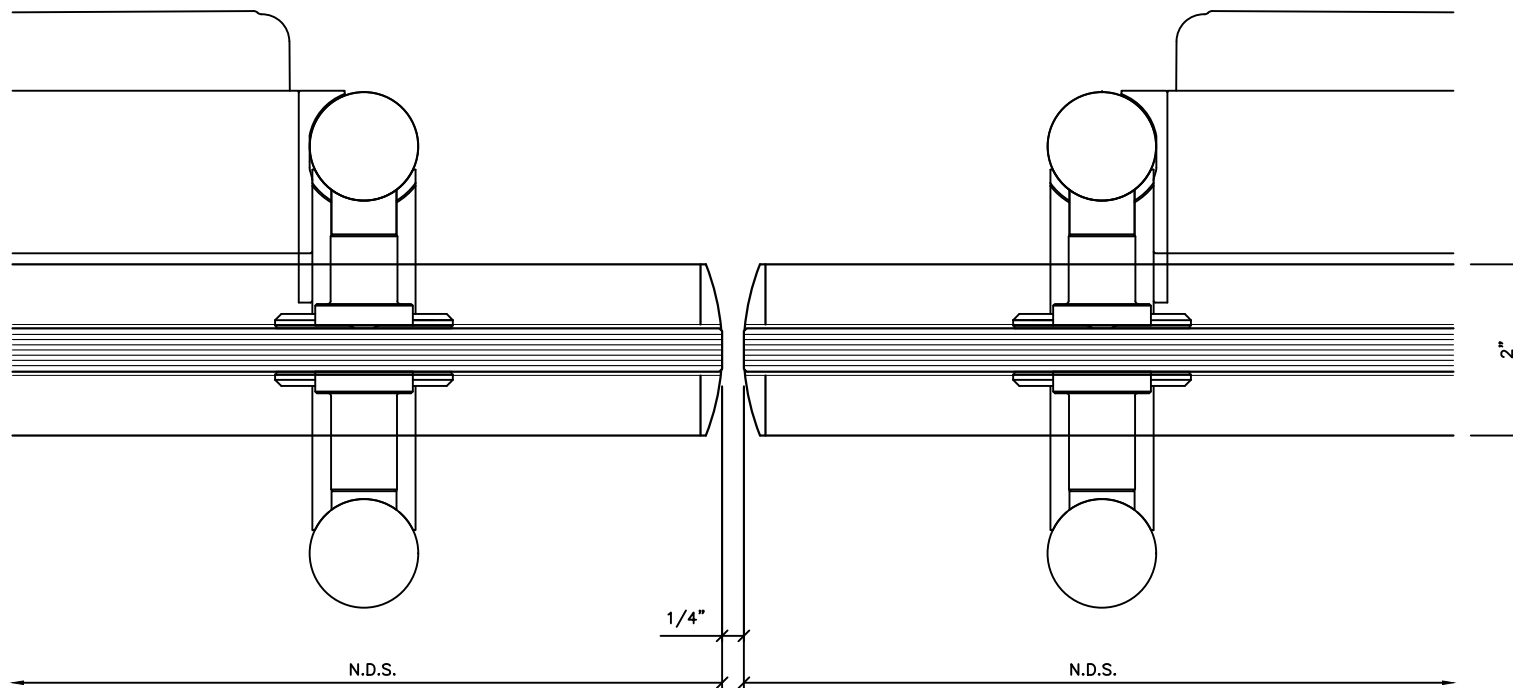


3 PA300F PANIC BAR DETAIL  
1:1 ARCH. REF.: N/A

Revisions By:



1 PA310FS RAIL CONNECTION DETAIL @ DOOR JAMB  
 1:1 ARCH. REF.: N/A



2 PA310FS RAIL CONNECTION DETAIL @ MEETING STILE  
 1:1 ARCH. REF.: N/A

# CRL

2503 E. Vernon Avenue, Los Angeles, CA 90058-1897  
 PH (800)-421-6144 FX: 800-587-7501 www.crlaurence.com

Description:  
 CRL BLUMCRAFT  
 PA300 PANIC HANDLE  
 FOR 1/2" AND 3/4" GLASS

Drawn By: NW  
 Date: 04/02/20  
 Scale:  
 File Name: WLDRLR3812.dwg

Sheet

Revisions By:

# CRL

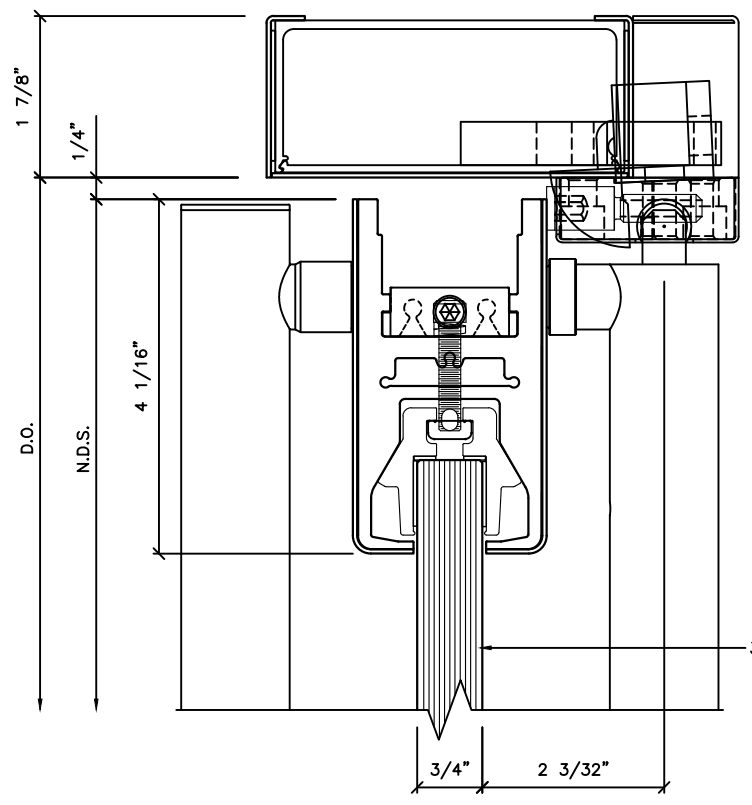
2503 E. Vernon Avenue, Los Angeles, CA 90058-1897  
PH (800)-421-6144 FX: 800-587-7501 www.crlaurence.com

Description:  
CRL BLUMCRAFT  
PA300 PANIC HANDLE  
FOR 1/2" AND 3/4" GLASS

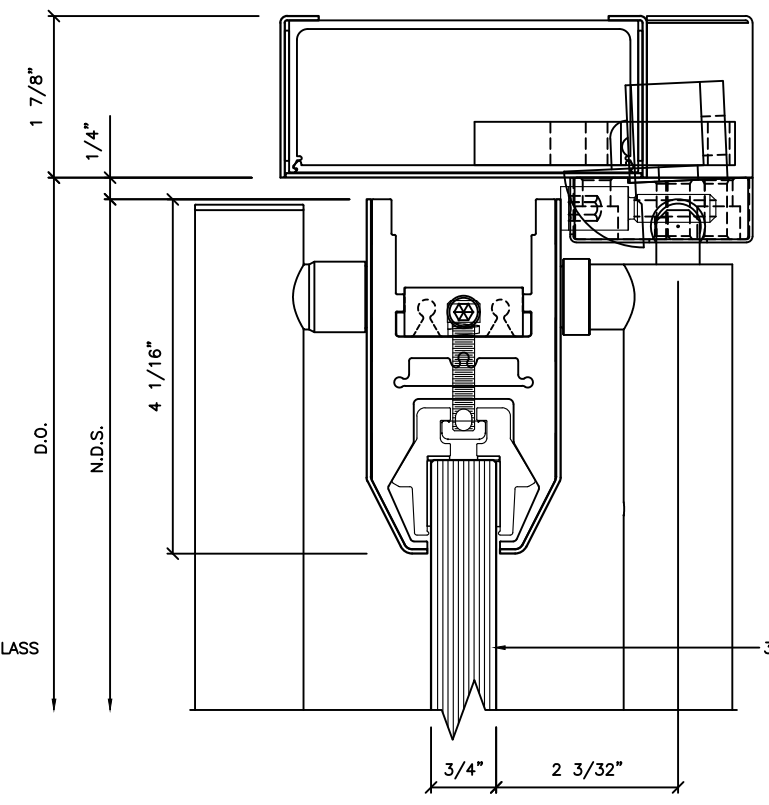
Drawn By: NW  
Date: 04/02/20  
Scale:  
File Name: WLDRLR3812.dwg

Sheet

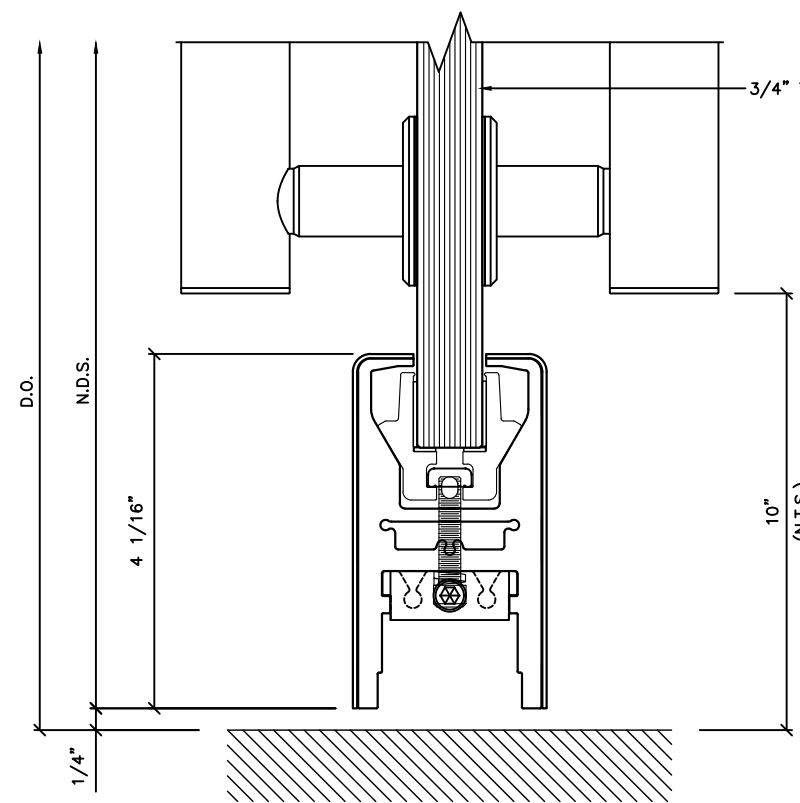
37



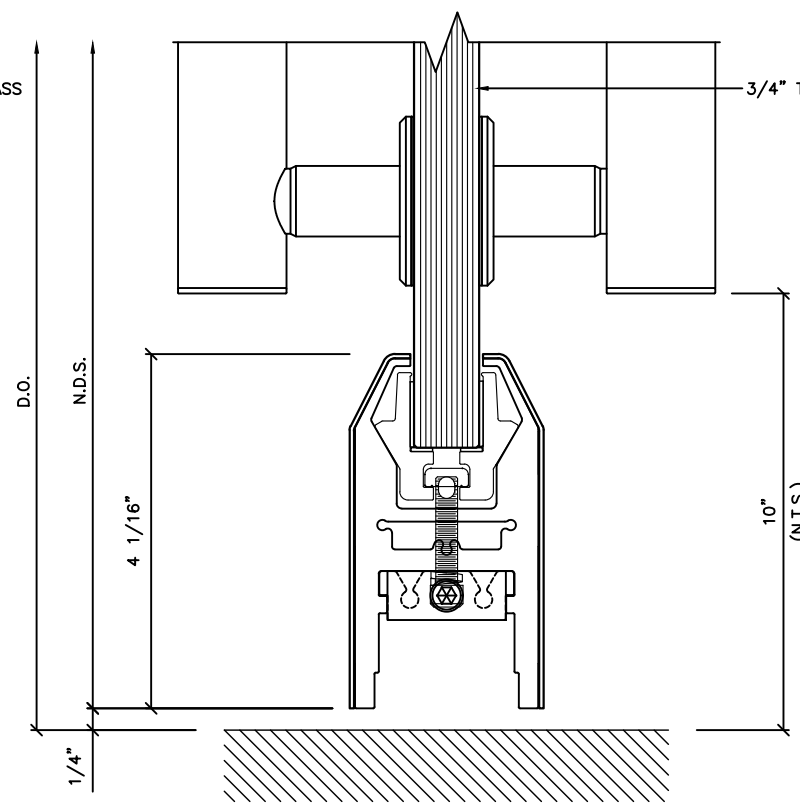
1 PA310FS RAIL CONNECTION DETAIL @ HEAD  
1:1 ARCH. REF.: N/A



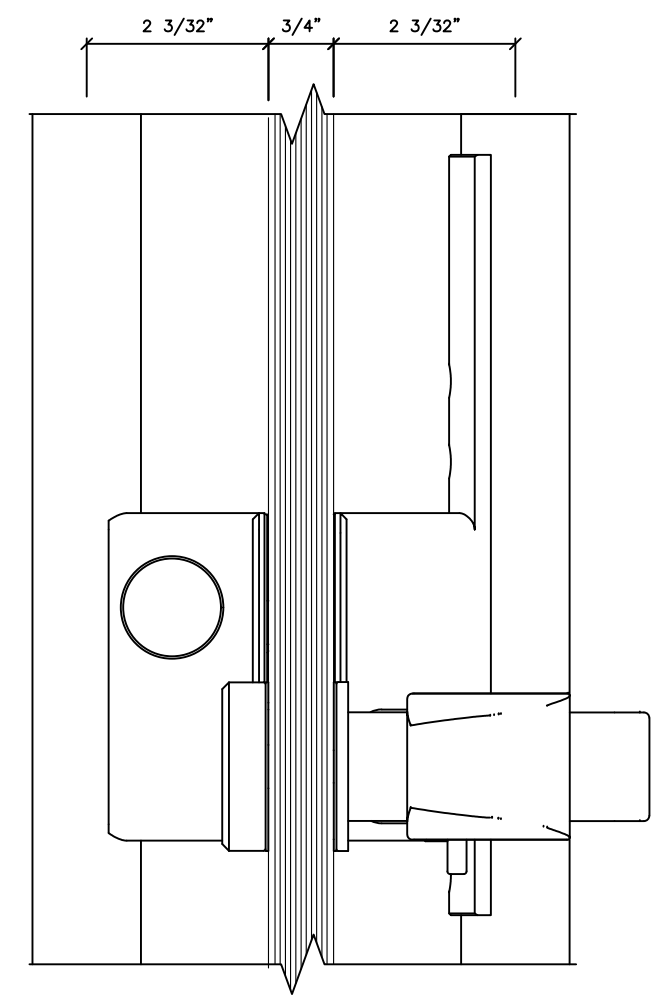
1 PA310FS RAIL CONNECTION DETAIL @ HEAD  
1:1 ARCH. REF.: N/A



2 PA310FS RAIL CONNECTION DETAIL @ SILL  
1:1 ARCH. REF.: N/A



2 PA310FS RAIL CONNECTION DETAIL @ SILL  
1:1 ARCH. REF.: N/A



3 PA300F PANIC BAR DETAIL  
1:1 ARCH. REF.: N/A

Revisions By:

**CRL**

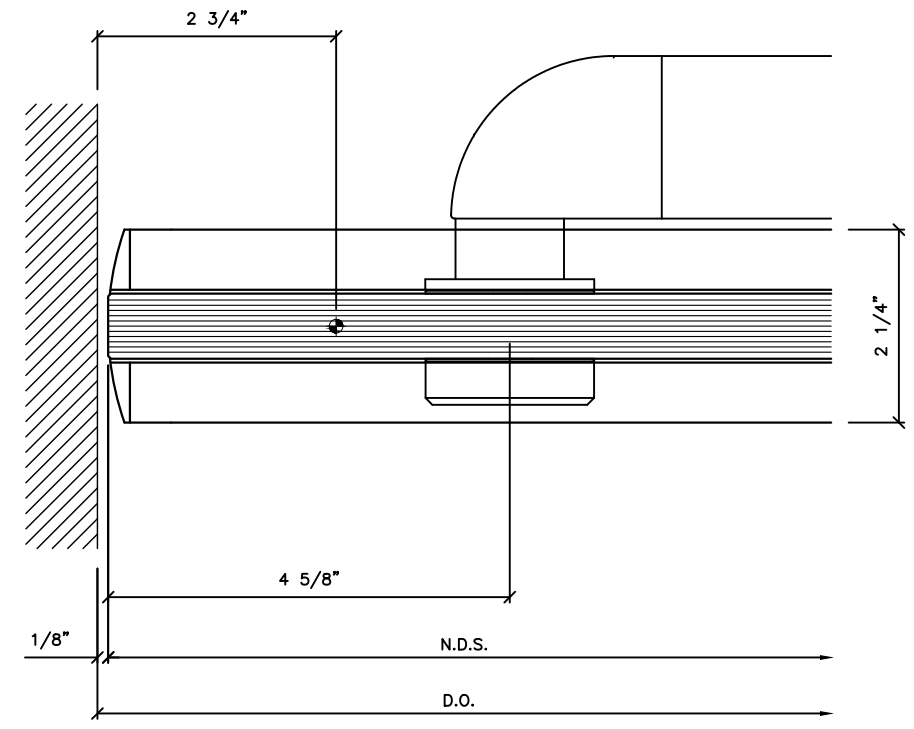
2503 E. Vernon Avenue, Los Angeles, CA 90058-1897  
PH (800)-421-6144 FX: 800-587-7501 www.crlaurence.com

Description:  
CRL BLUMCRAFT  
PA300 PANIC HANDLE  
FOR 1/2" AND 3/4" GLASS

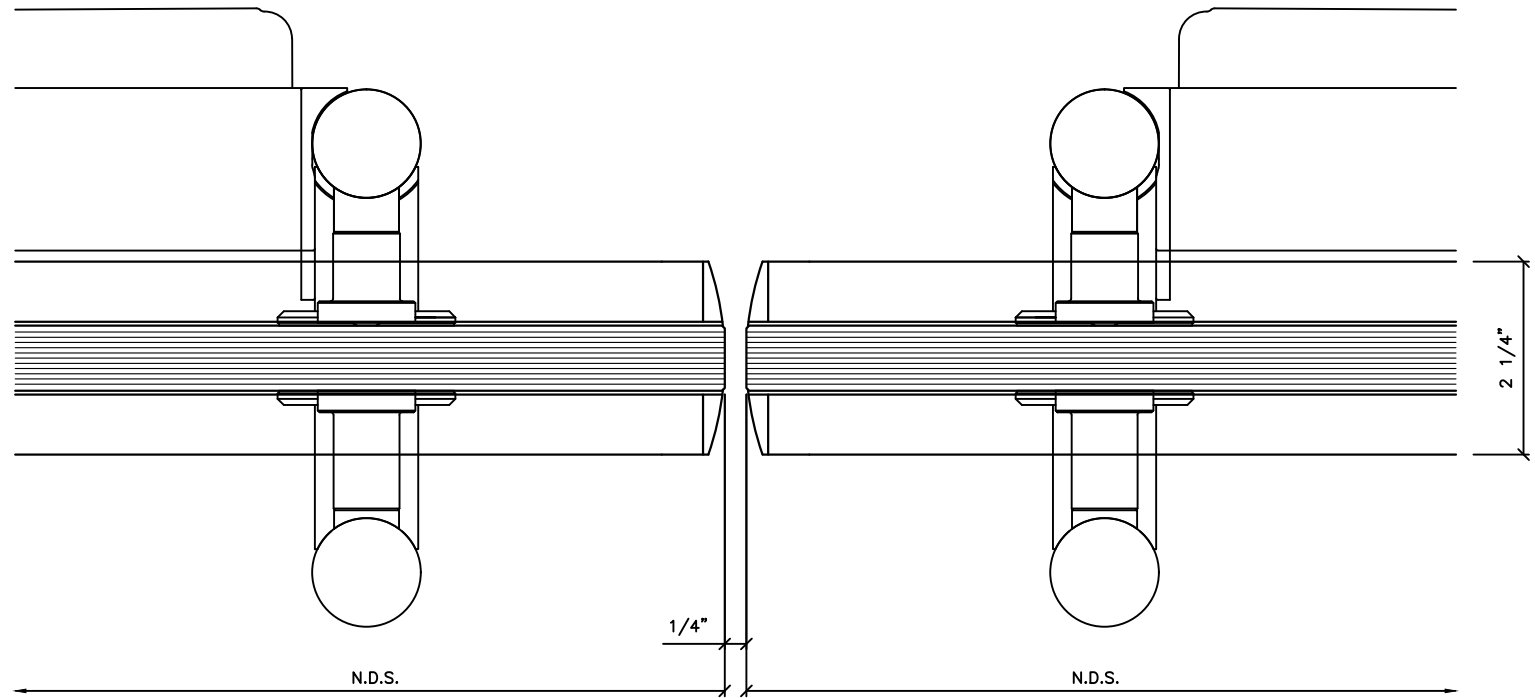
Drawn By: NW  
Date: 04/02/20  
Scale:  
File Name: WLDRLR3812.dwg

Sheet

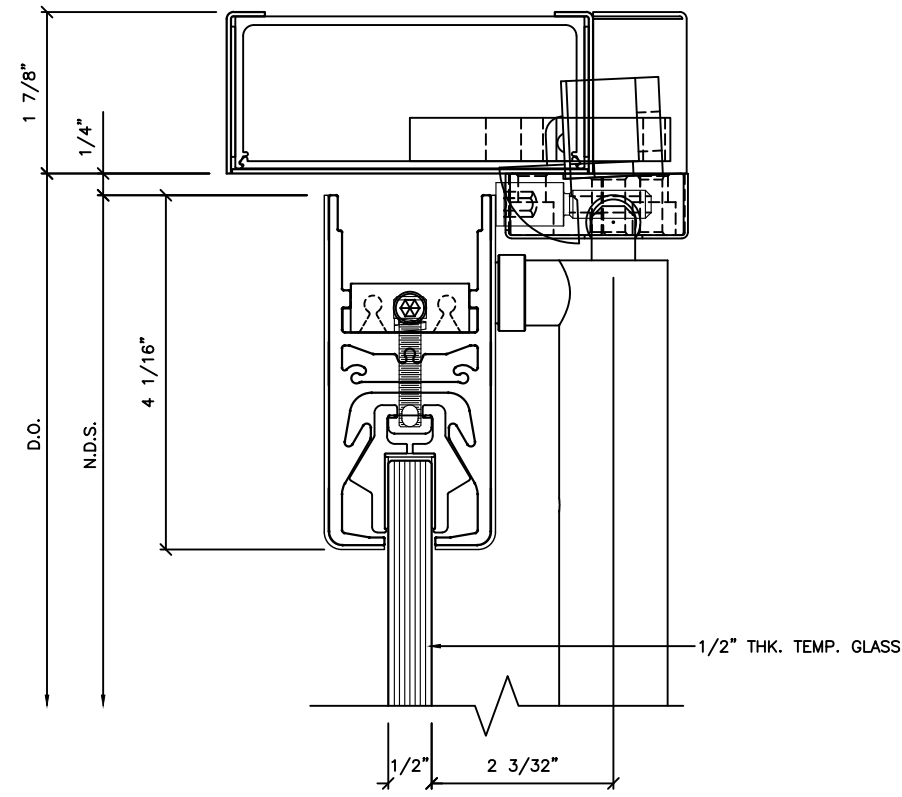
38



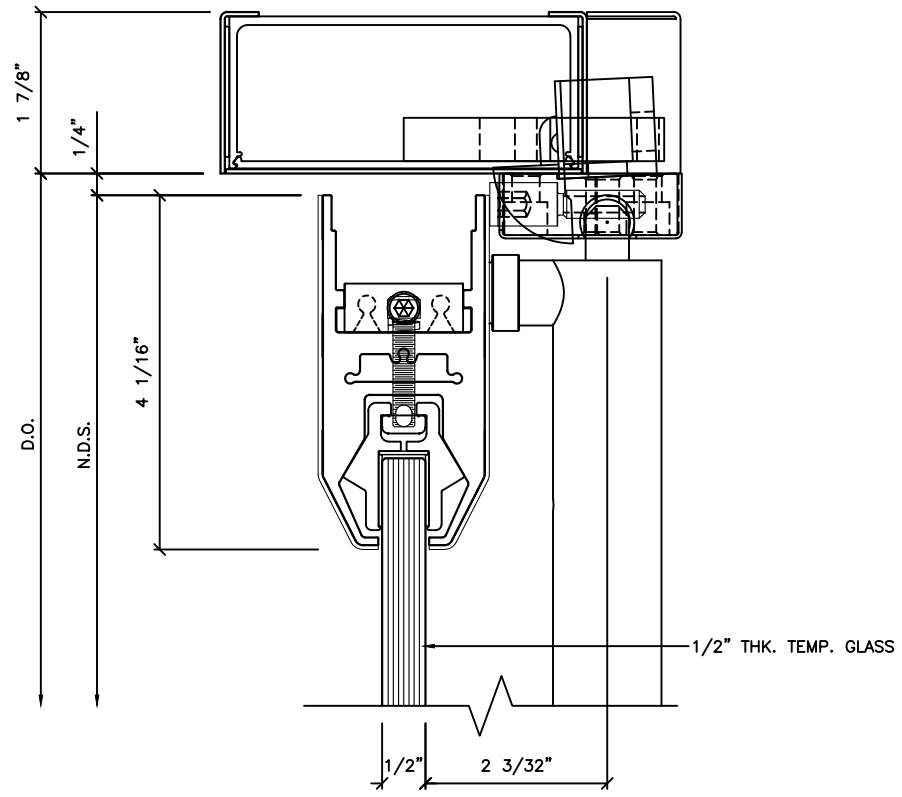
1 PA310FS RAIL CONNECTION DETAIL @ DOOR JAMB  
1:1 ARCH. REF.: N/A



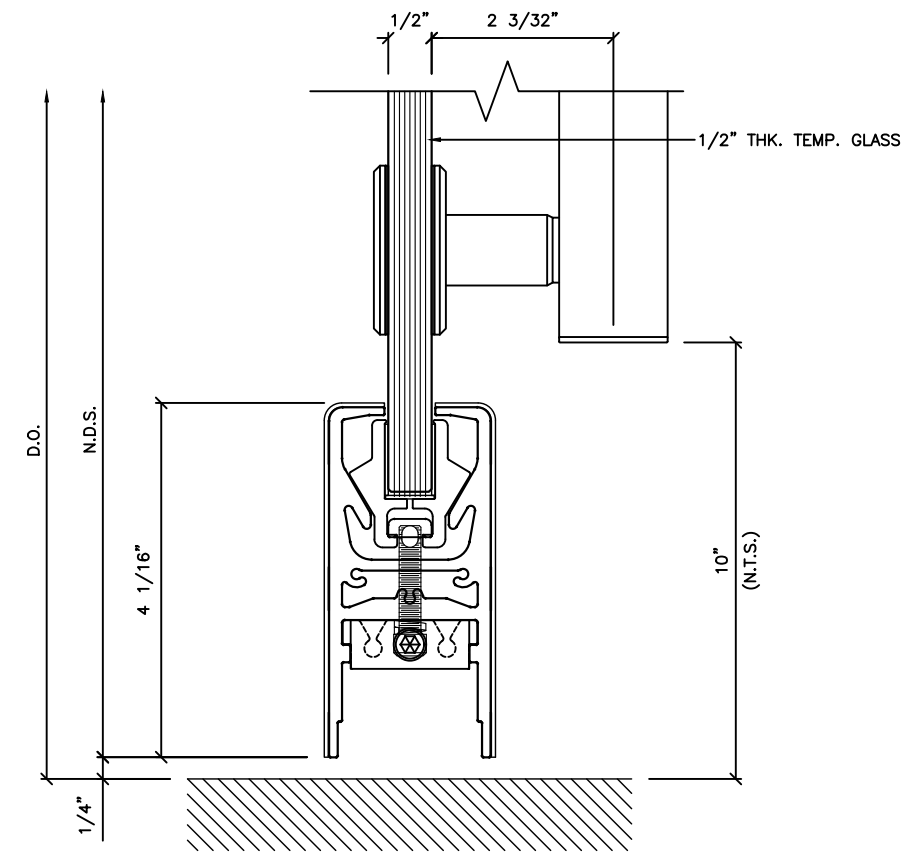
2 PA310FS RAIL CONNECTION DETAIL @ MEETING STILE  
1:1 ARCH. REF.: N/A



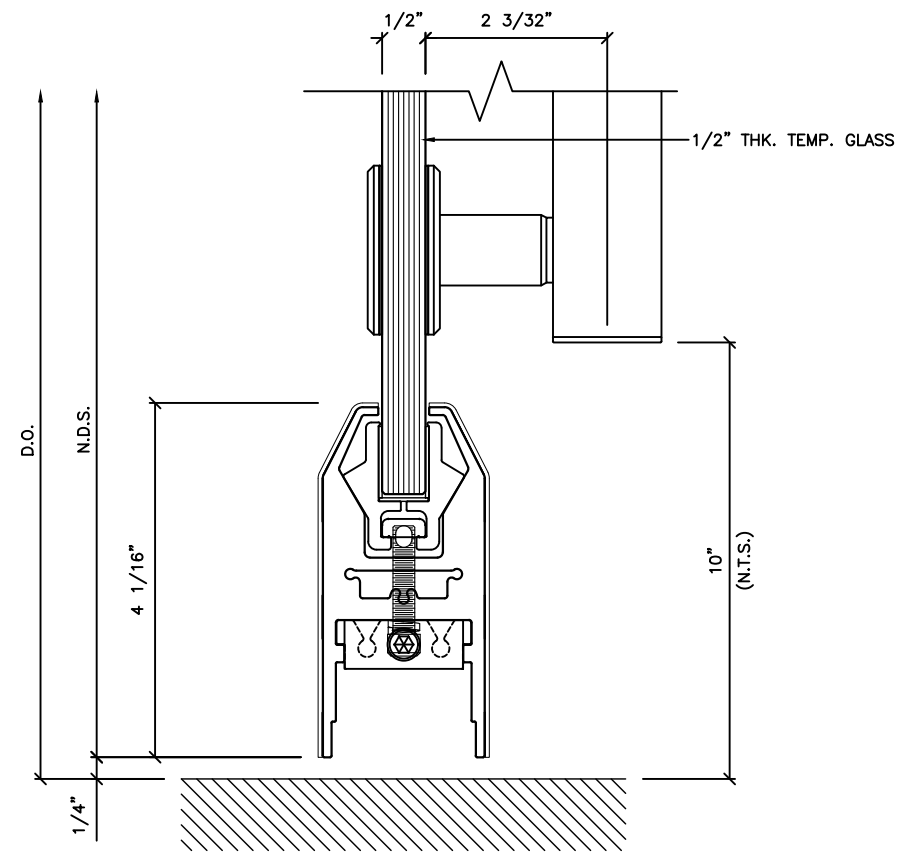
1 PA310Z GLASS CONNECTION DETAIL @ HEAD  
1:1 ARCH. REF.: N/A



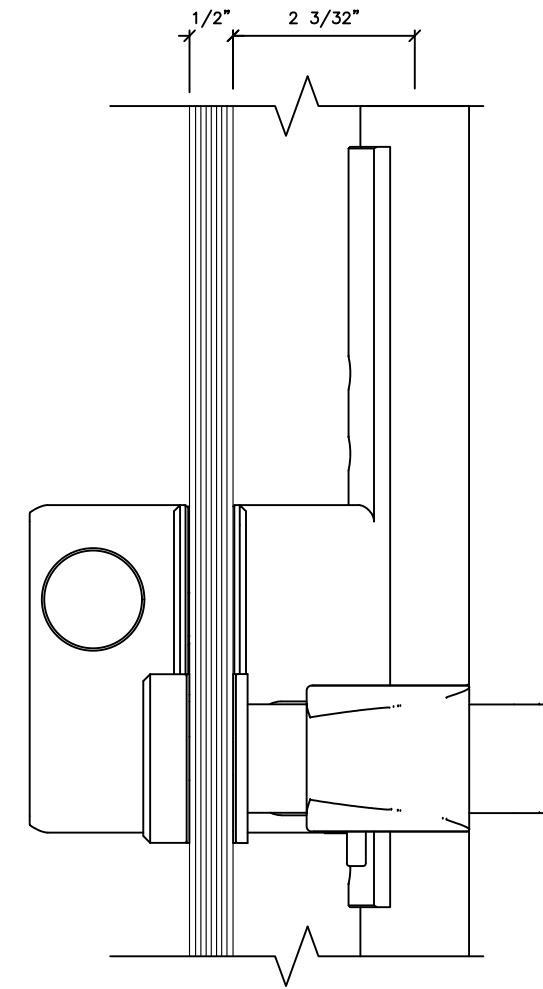
1 PA310Z GLASS CONNECTION DETAIL @ HEAD  
1:1 ARCH. REF.: N/A



2 PA310Z GLASS CONNECTION DETAIL @ SILL  
1:1 ARCH. REF.: N/A



2 PA310Z GLASS CONNECTION DETAIL @ SILL  
1:1 ARCH. REF.: N/A



3 PA300Z PANIC BAR DETAIL  
1:1 ARCH. REF.: N/A

Revisions By:

**CRL**

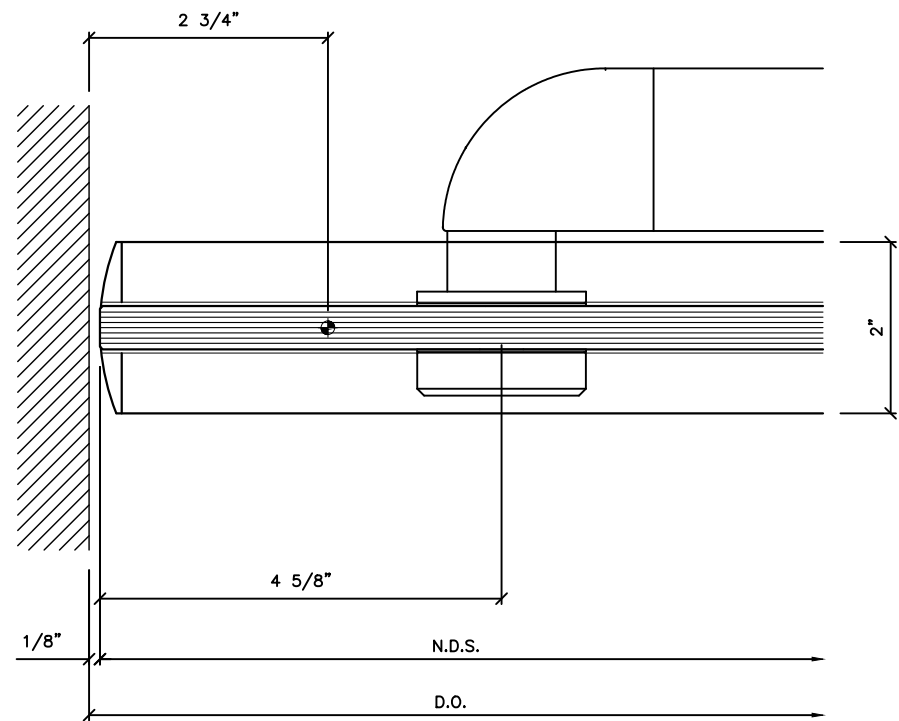
2503 E. Vernon Avenue, Los Angeles, CA 90058-1897  
PH (800)-421-6144 FX: 800-587-7501 www.crlaurence.com

Description:  
CRL BLUMCRAFT  
PA300 PANIC HANDLE  
FOR 1/2" AND 3/4" GLASS

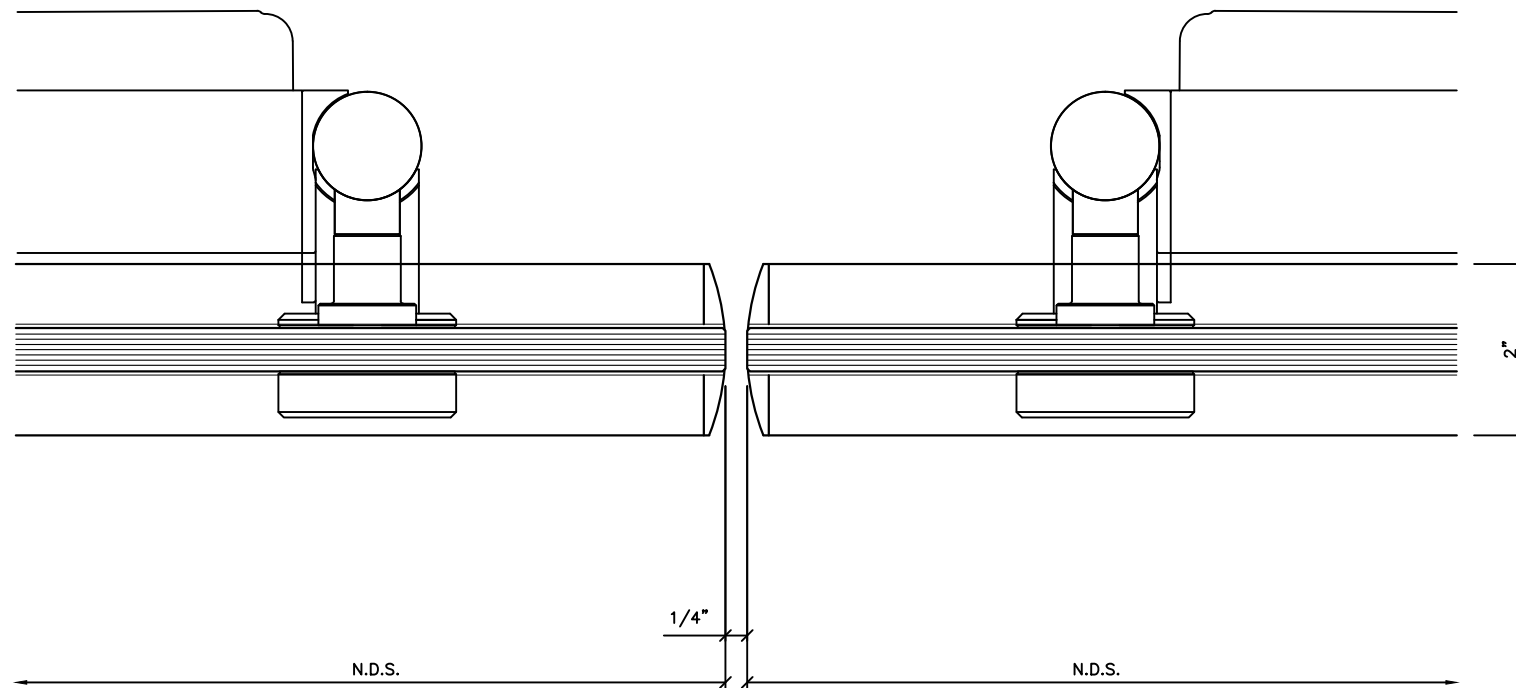
Drawn By: NW  
Date: 04/02/20  
Scale:  
File Name: WLDRLR3812.dwg

Sheet

Revisions By:



① PA310Z GLASS CONNECTION DETAIL @ DOOR JAMB  
 1:1 ARCH. REF.: N/A



② PA310Z GLASS CONNECTION DETAIL @ MEETING STILE  
 1:1 ARCH. REF.: N/A

**CRL**

2503 E. Vernon Avenue, Los Angeles, CA 90058-1897  
 PH (800)-421-6144 FX: 800-587-7501 www.crlaurence.com

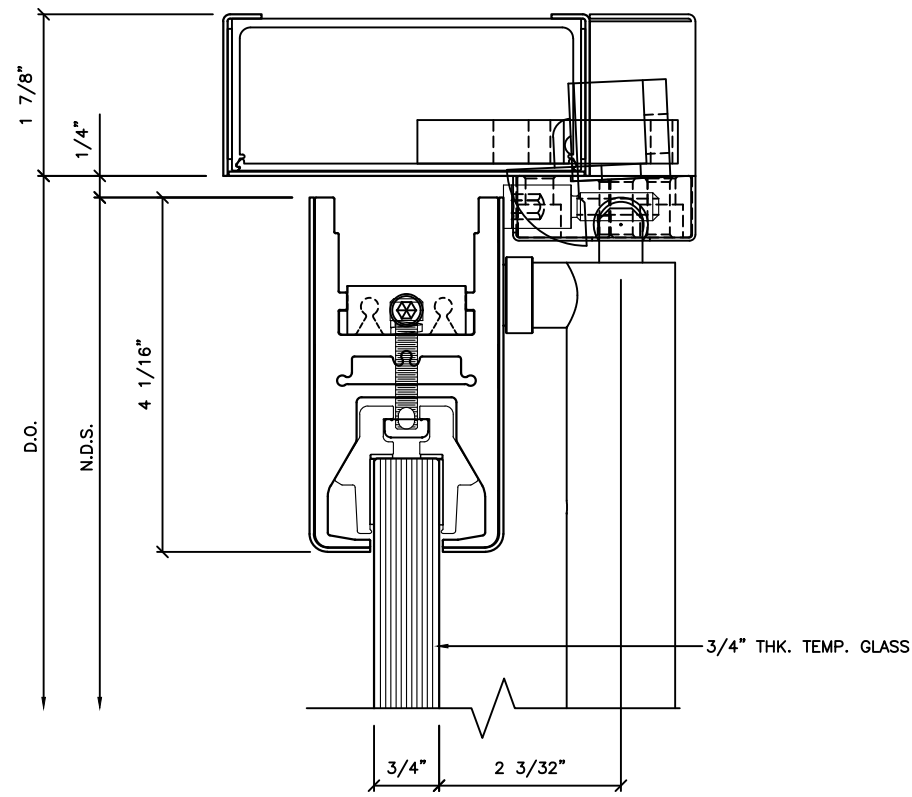
Description:  
 CRL BLUMCRAFT  
 PA300 PANIC HANDLE  
 FOR 1/2" AND 3/4" GLASS

Drawn By: NW  
 Date: 04/02/20  
 Scale:  
 File Name: WLDRLR3812.dwg

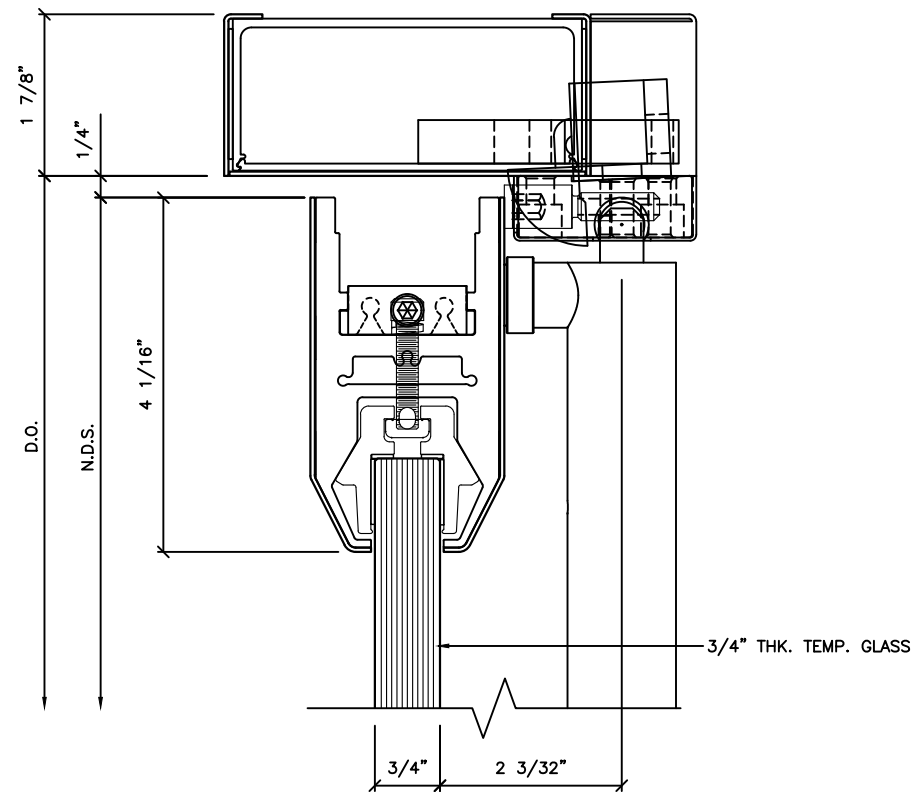
Sheet

40

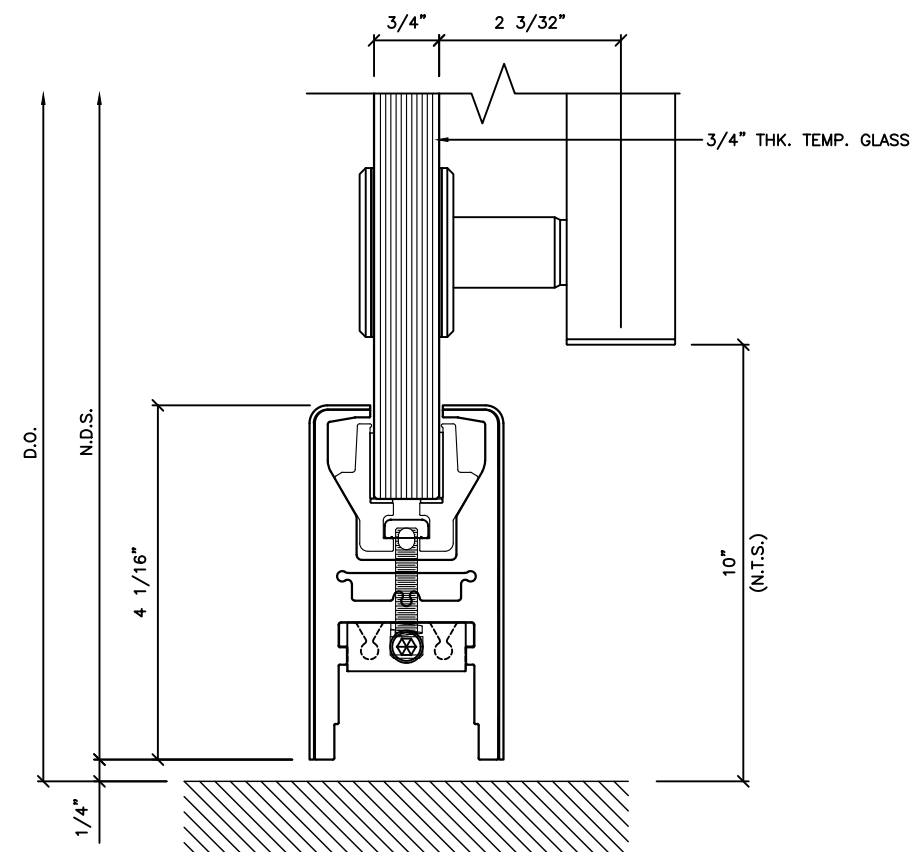




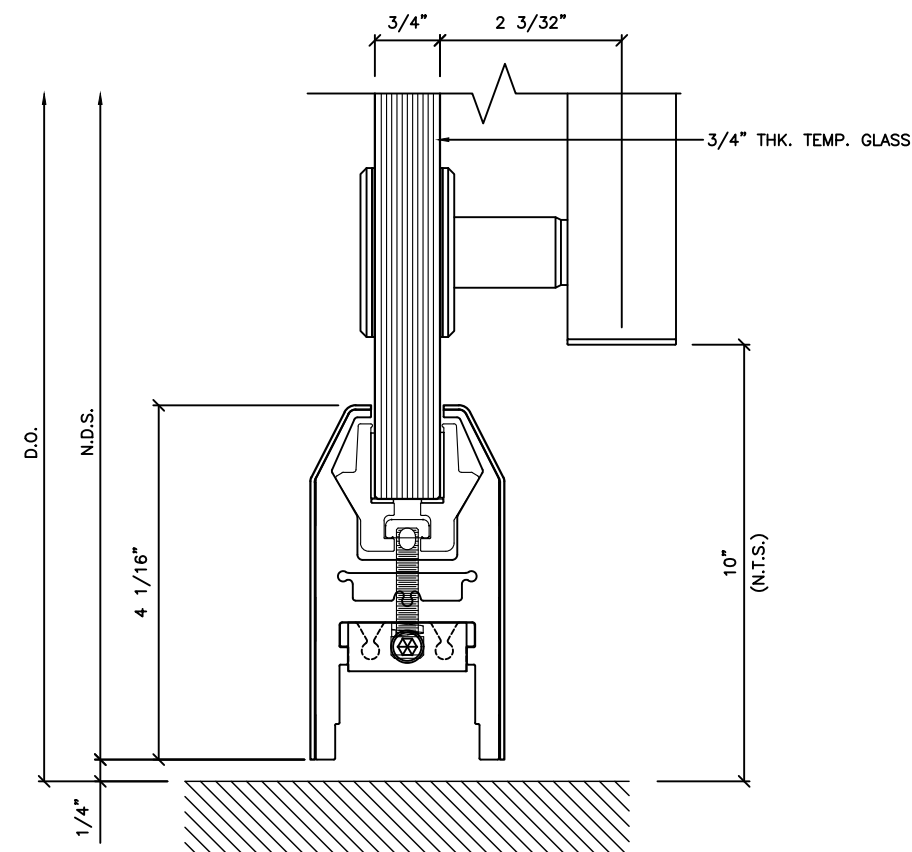
1 PA310Z GLASS CONNECTION DETAIL @ HEAD  
1:1 ARCH. REF.: N/A



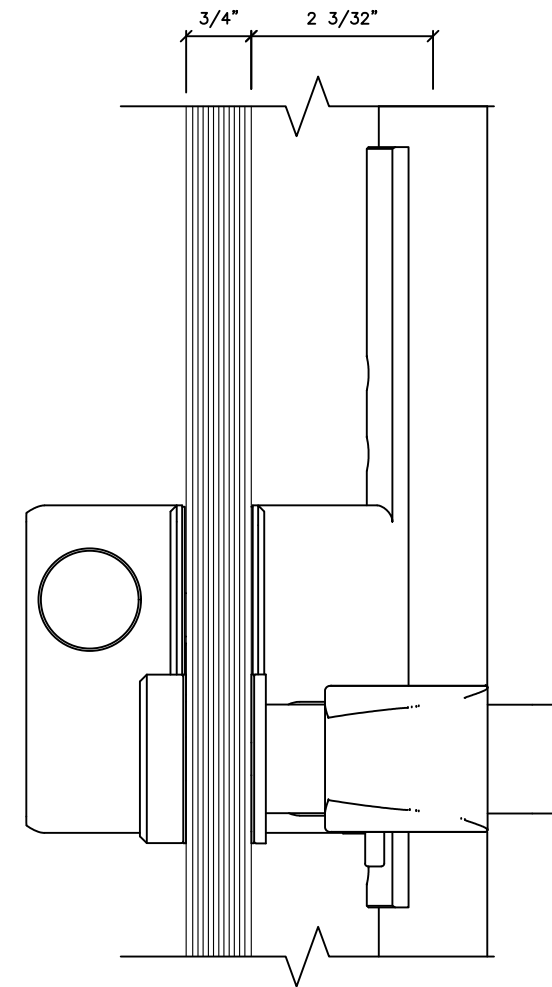
1 PA310Z GLASS CONNECTION DETAIL @ HEAD  
1:1 ARCH. REF.: N/A



2 PA310Z GLASS CONNECTION DETAIL @ SILL  
1:1 ARCH. REF.: N/A



2 PA310Z GLASS CONNECTION DETAIL @ SILL  
1:1 ARCH. REF.: N/A



3 PA300Z PANIC BAR DETAIL  
1:1 ARCH. REF.: N/A

Revisions By:

**CRL**

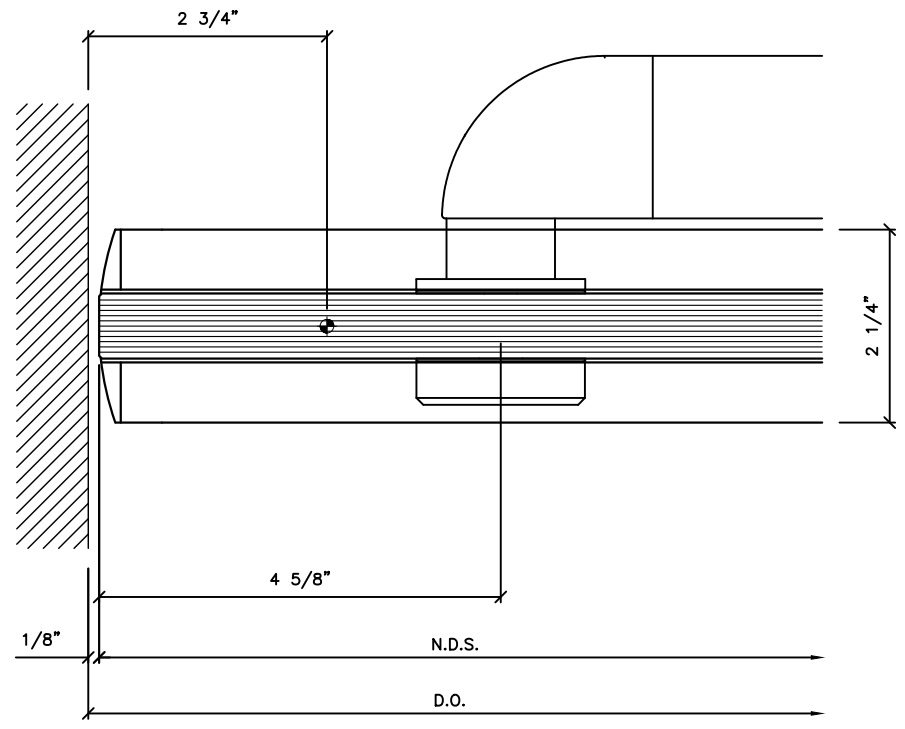
2503 E. Vernon Avenue, Los Angeles, CA 90058-1897  
PH (800)-421-6144 FX: 800-587-7501 www.crlaurence.com

Description:  
CRL BLUMCRAFT  
PA300 PANIC HANDLE  
FOR 1/2" AND 3/4" GLASS

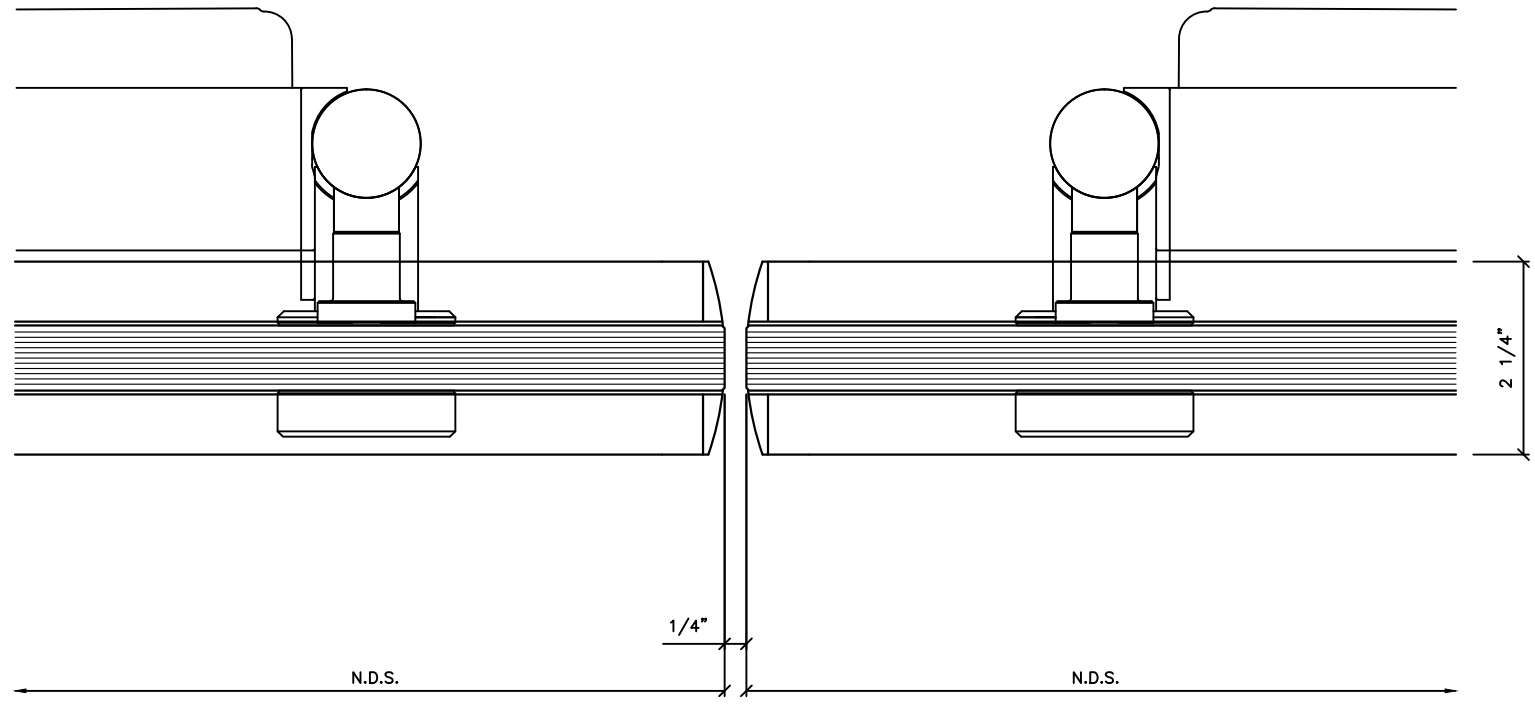
Drawn By: NW  
Date: 04/02/20  
Scale:  
File Name: WLDRLR3812.dwg

Sheet

Revisions By:



① PA310Z GLASS CONNECTION DETAIL @ DOOR JAMB  
 1:1 ARCH. REF.: N/A



② PA310Z GLASS CONNECTION DETAIL @ MEETING STILE  
 1:1 ARCH. REF.: N/A

**CRL.**

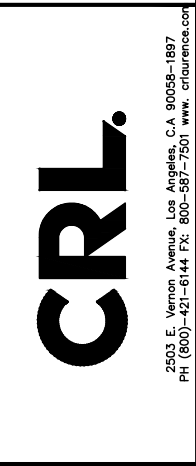
2503 E. Vernon Avenue, Los Angeles, CA 90058-1897  
 PH (800)-421-6144 FX: 800-587-7501 www.crlaurence.com

Description:  
 CRL BLUMCRAFT  
 PA300 PANIC HANDLE  
 FOR 1/2" AND 3/4" GLASS

Drawn By: NW  
 Date: 04/02/20  
 Scale:  
 File Name: WLDRLR3812.dwg

Sheet

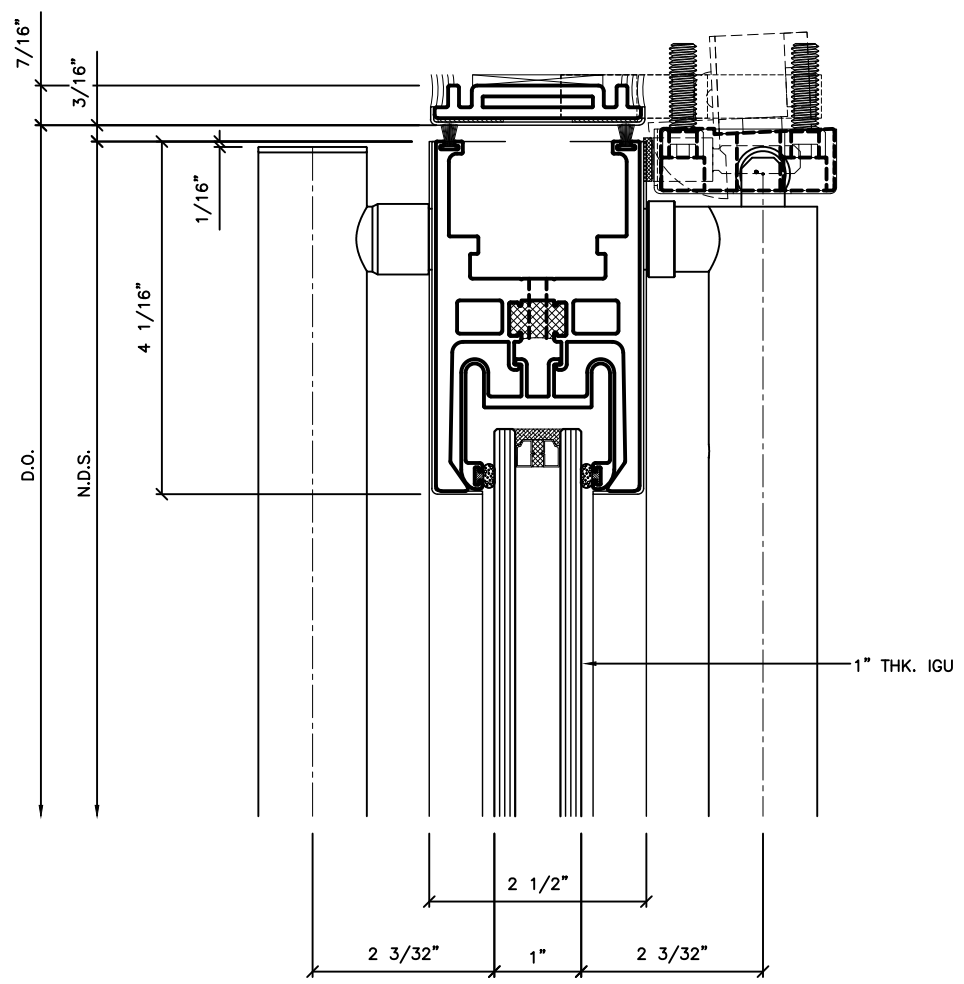
Revisions By:



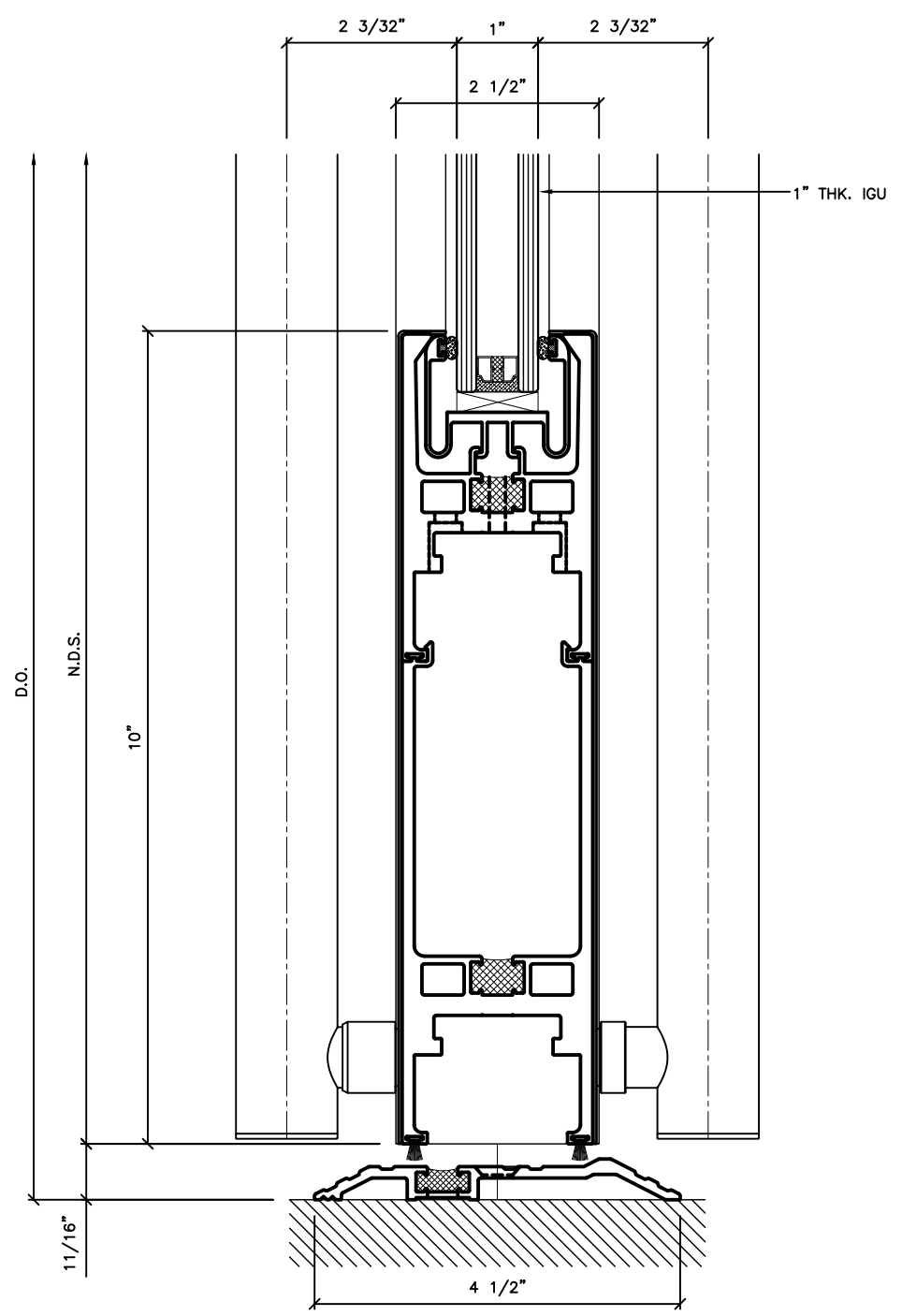
2503 E. Vernon Avenue, Los Angeles, CA 90058-1897  
 PH (800)-421-6144 FX: 800-587-7501 www.crlaurence.com

Description:  
 CRL BLUMCRAFT  
 PA300 PANIC HANDLE  
 FOR 1/2" AND 3/4" GLASS

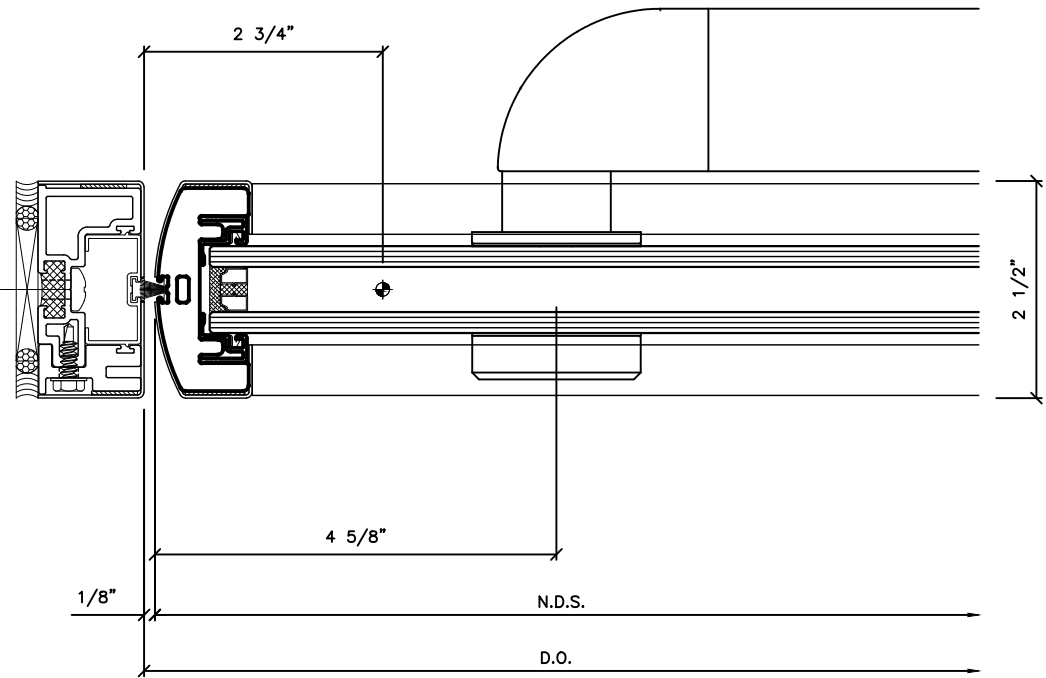
Drawn By: NW  
 Date: 04/02/20  
 Scale:  
 File Name: WLDRLR3812.dwg



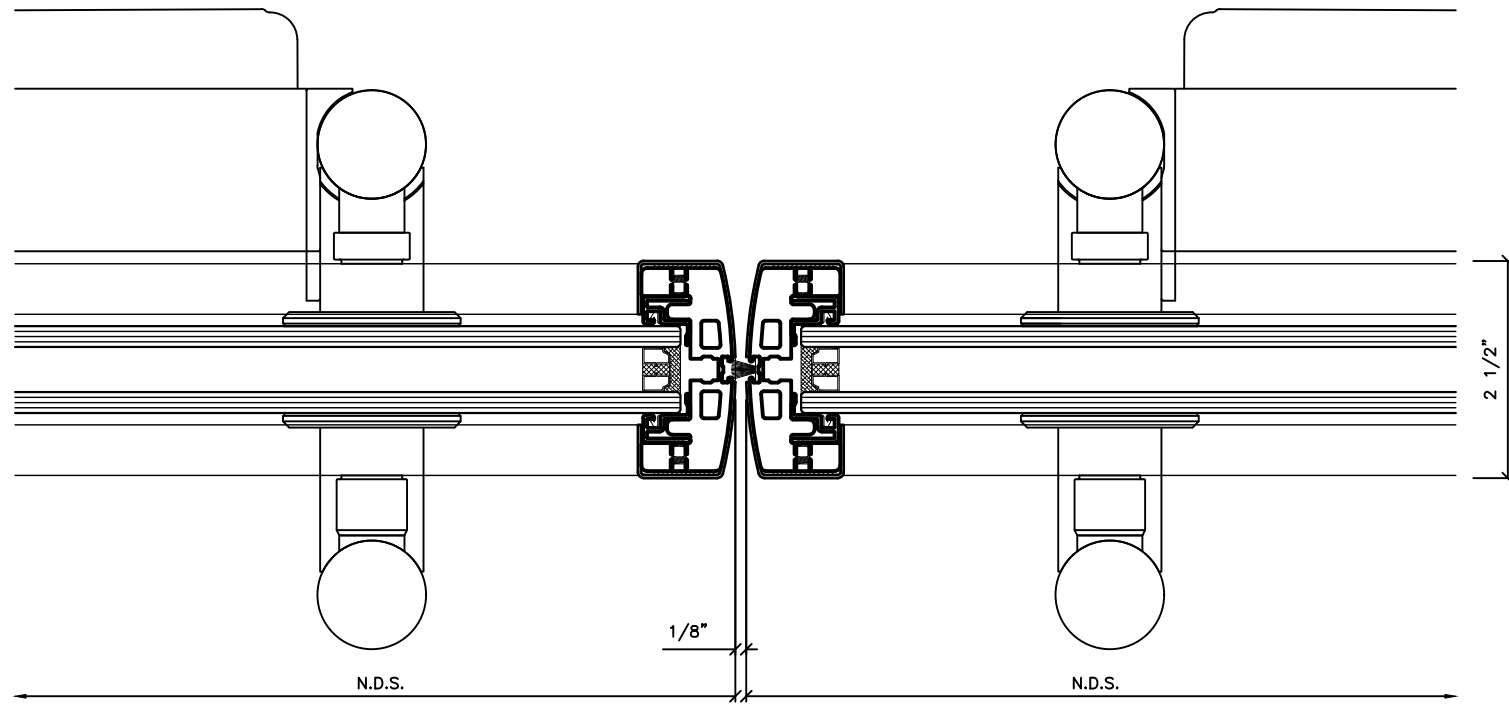
① PA300F CONNECTION DETAIL @ ENTICE TOP RAIL  
 1:1 ARCH. REF.: N/A



② PA300F CONNECTION DETAIL @ ENTICE BOTTOM RAIL  
 1:1 ARCH. REF.: N/A

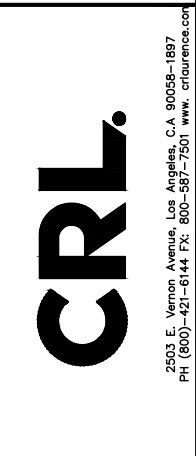


① PA300F CONNECTION DETAIL @ DOOR JAMB  
 1:1 ARCH. REF.: N/A



② PA300F CONNECTION DETAIL @ MEETING STILE  
 1:1 ARCH. REF.: N/A

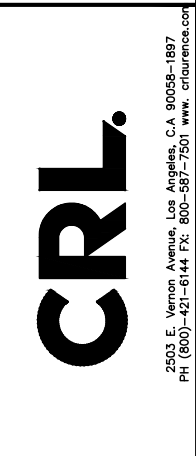
Revisions By:



Description:  
 CRL BLUMCRAFT  
 PA300 PANIC HANDLE  
 FOR 1 1/2" AND 3/4" GLASS

Drawn By: NW  
 Date: 04/02/20  
 Scale:  
 File Name: WLDRLR3812.dwg

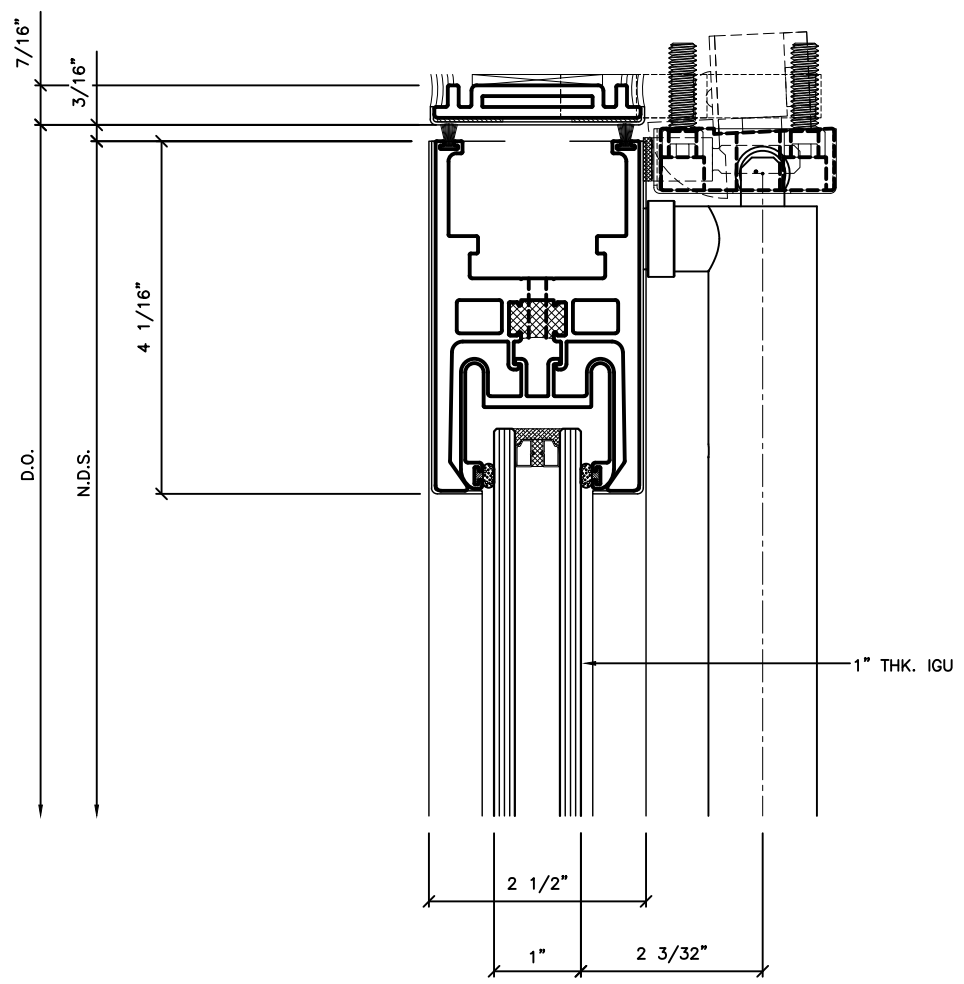
Revisions By:



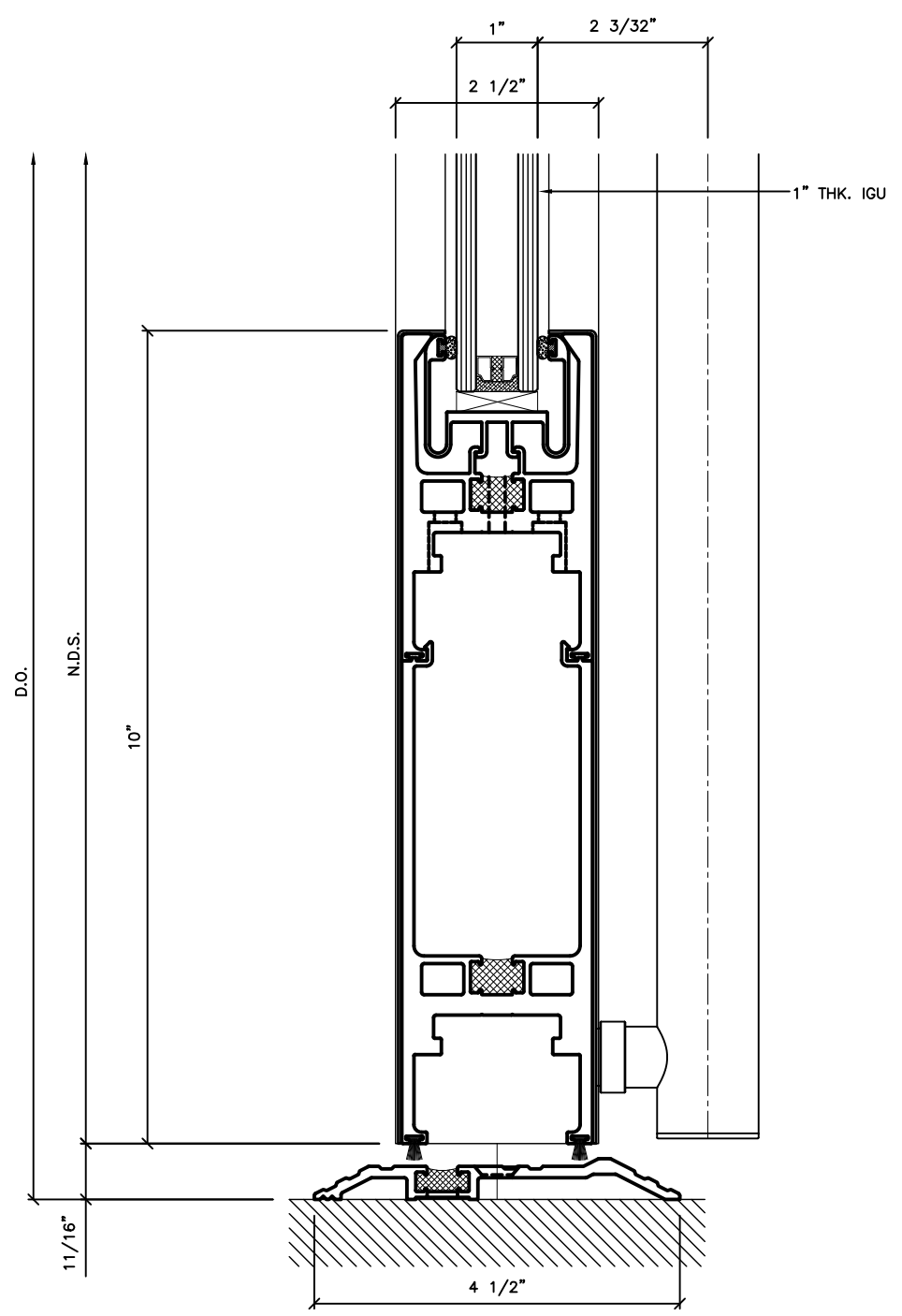
2503 E. Vernon Avenue, Los Angeles, CA 90058-1897  
 PH (800)-421-6144 FX: 800-587-7501 www.crlaurence.com

Description:  
 CRL BLUMCRAFT  
 PA300 PANIC HANDLE  
 FOR 1/2" AND 3/4" GLASS

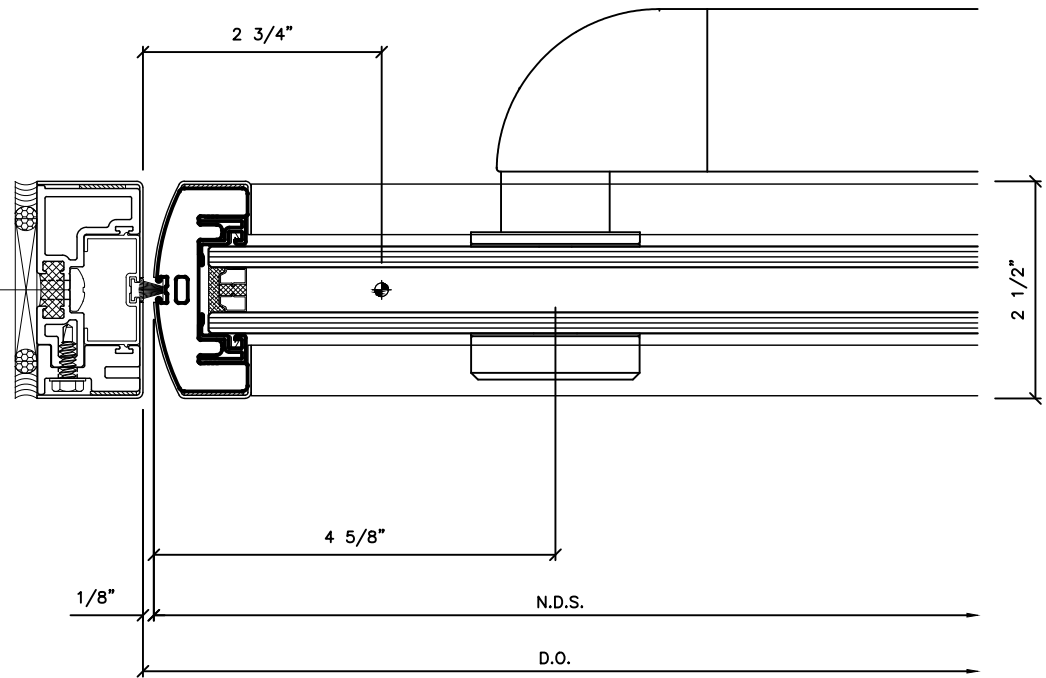
Drawn By: NW  
 Date: 04/02/20  
 Scale:  
 File Name: WLDRLR3812.dwg



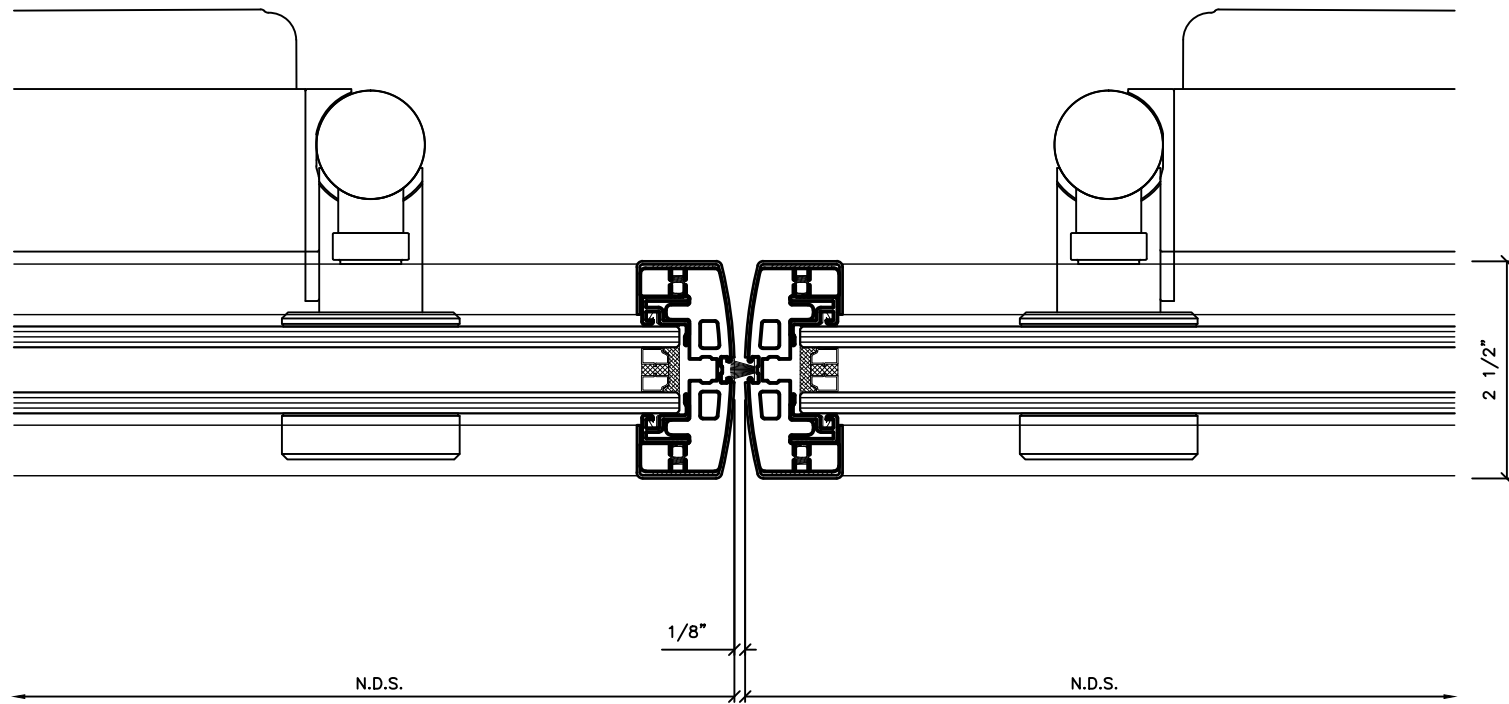
① P300Z CONNECTION DETAIL @ ENTICE TOP RAIL  
 1:1 ARCH. REF.: N/A



② PA300Z CONNECTION DETAIL @ ENTICE BOTTOM RAIL  
 1:1 ARCH. REF.: N/A



① PA300Z CONNECTION DETAIL @ DOOR JAMB  
 1:1 ARCH. REF.: N/A



② PA300Z CONNECTION DETAIL @ MEETING STILE  
 1:1 ARCH. REF.: N/A

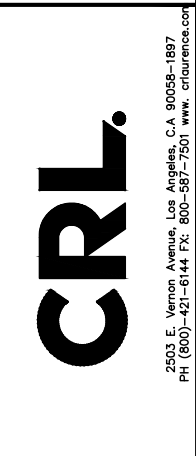
Revisions By:

**CRL**  
 2503 E. Vernon Avenue, Los Angeles, CA 90058-1897  
 PH (800)-421-6144 FX: 800-587-7501 www.crlaurence.com

Description:  
 CRL BLUMCRAFT  
 PA300 PANIC HANDLE  
 FOR 1 1/2" AND 3/4" GLASS

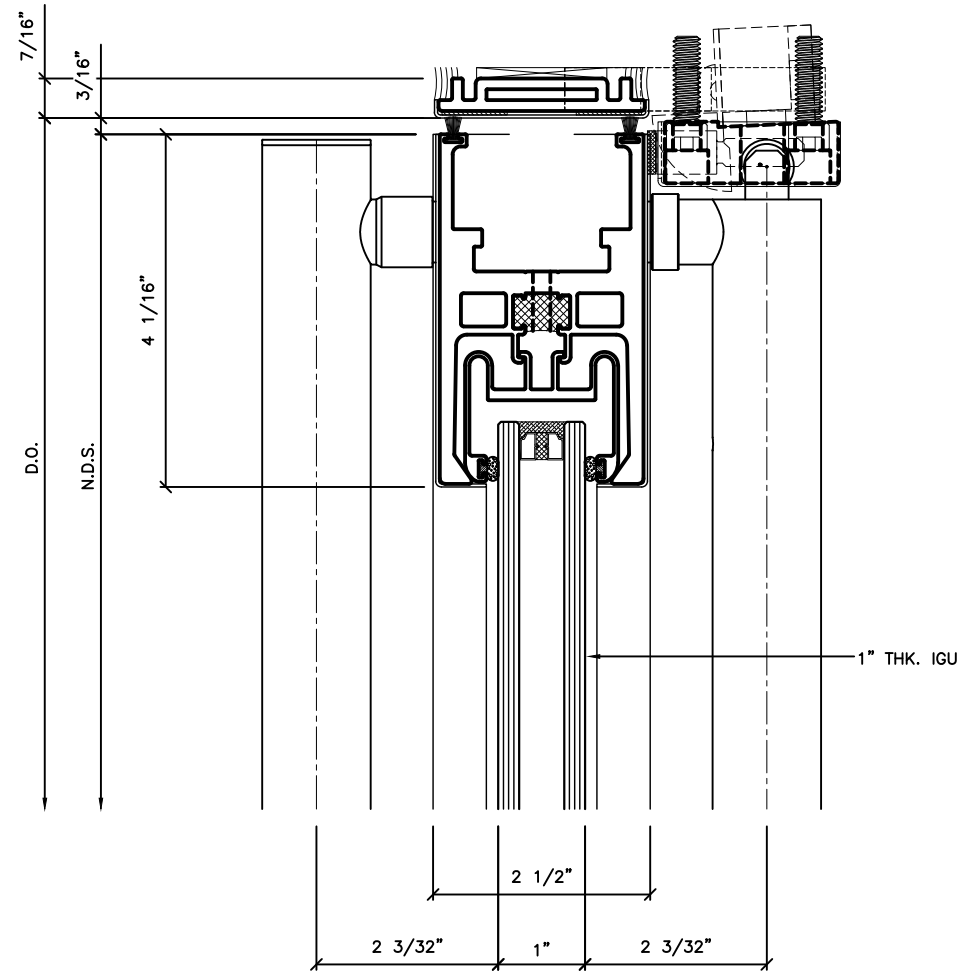
Drawn By: NW  
 Date: 04/02/20  
 Scale:  
 File Name: WLDRLR3812.dwg

Revisions By:

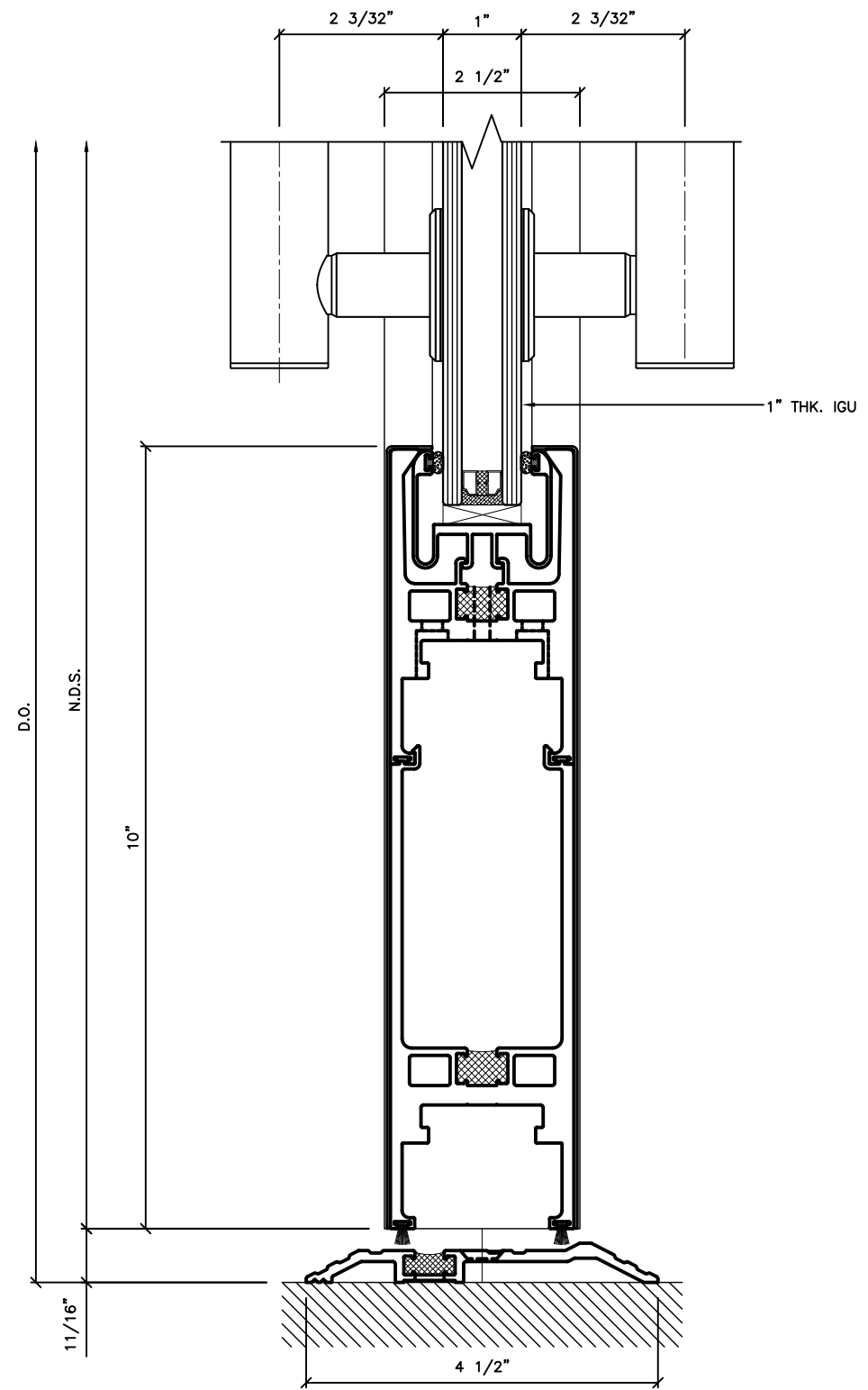


Description:  
CRL BLUMCRAFT  
PA300 PANIC HANDLE  
FOR 1/2" AND 3/4" GLASS

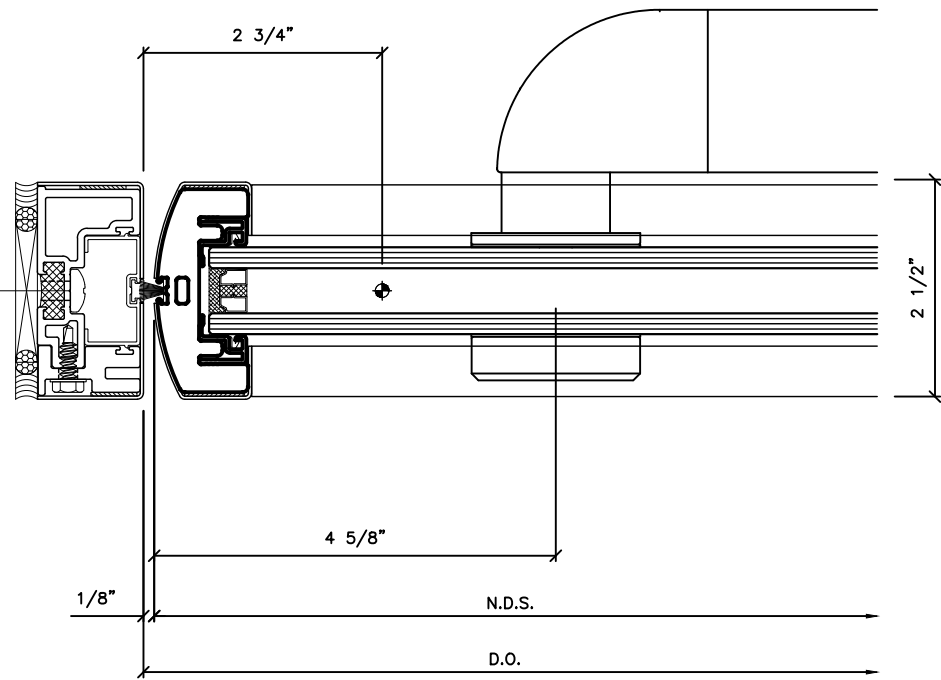
Drawn By: NW  
Date: 04/02/20  
Scale:  
File Name: WLDRLR3812.dwg



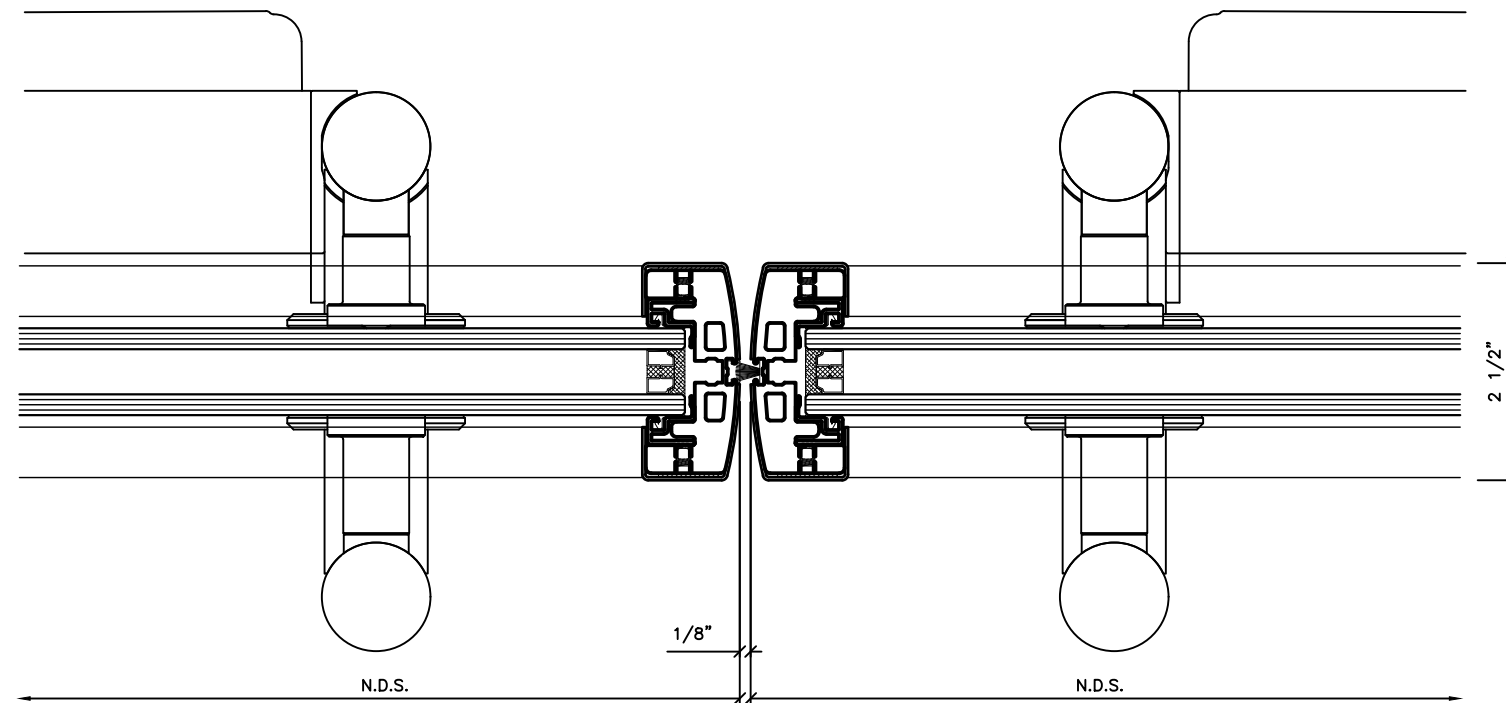
① P310FS CONNECTION DETAIL @ ENTICE TOP RAIL  
1:1 ARCH. REF.: N/A



② PA310FS CONNECTION DETAIL @ ENTICE BOTTOM RAIL  
1:1 ARCH. REF.: N/A



1 PA310FS CONNECTION DETAIL @ DOOR JAMB  
 1:1 ARCH. REF.: N/A



2 PA310FS CONNECTION DETAIL @ MEETING STILE  
 1:1 ARCH. REF.: N/A

Revisions By:

**CRL**  
 2503 E. Vernon Avenue, Los Angeles, CA 90058-1897  
 PH (800)-421-6144 FX: 800-587-7501 www.crlaurence.com

Description:  
 CRL BLUMCRAFT  
 PA300 PANIC HANDLE  
 FOR 1 1/2" AND 3/4" GLASS

Drawn By: NW  
 Date: 04/02/20  
 Scale:  
 File Name: WLDRLR3812.dwg

Sheet  
 48



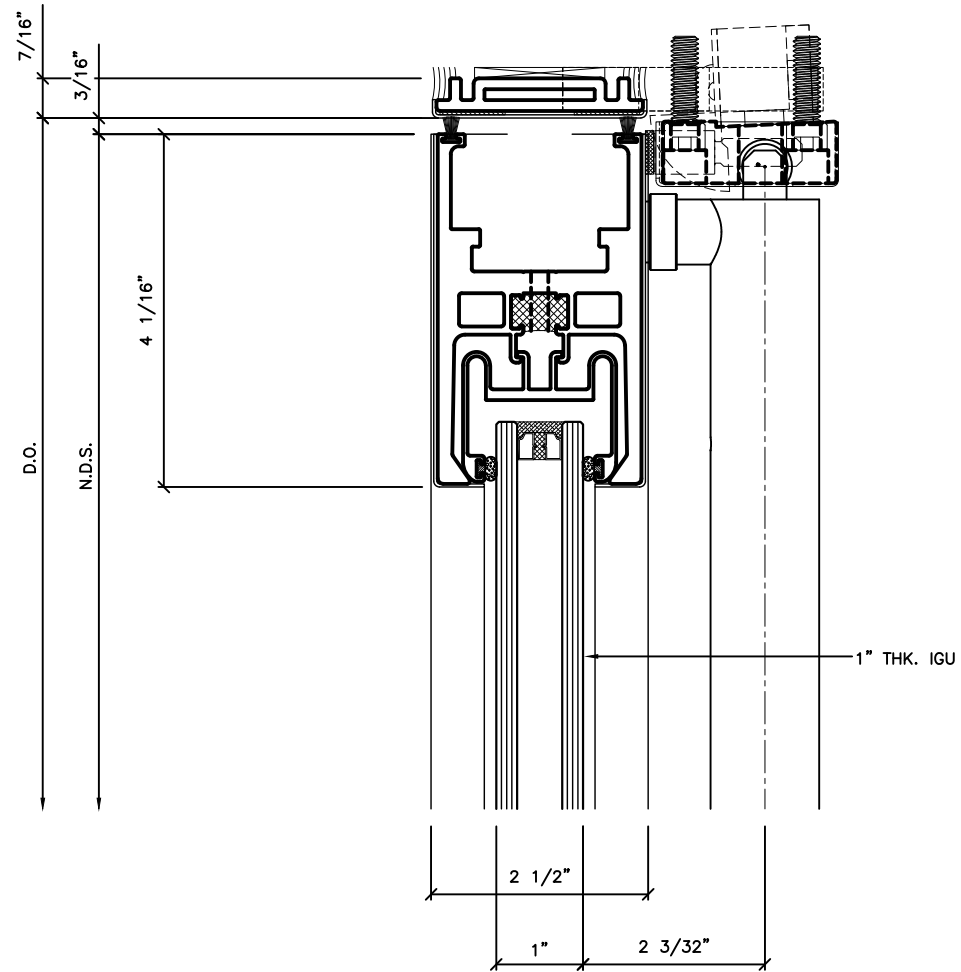
Revisions By:

**CRL**  
 2503 E. Vernon Avenue, Los Angeles, CA 90058-1897  
 PH (800)-421-6144 FX: 800-587-7501 www.crlaurence.com

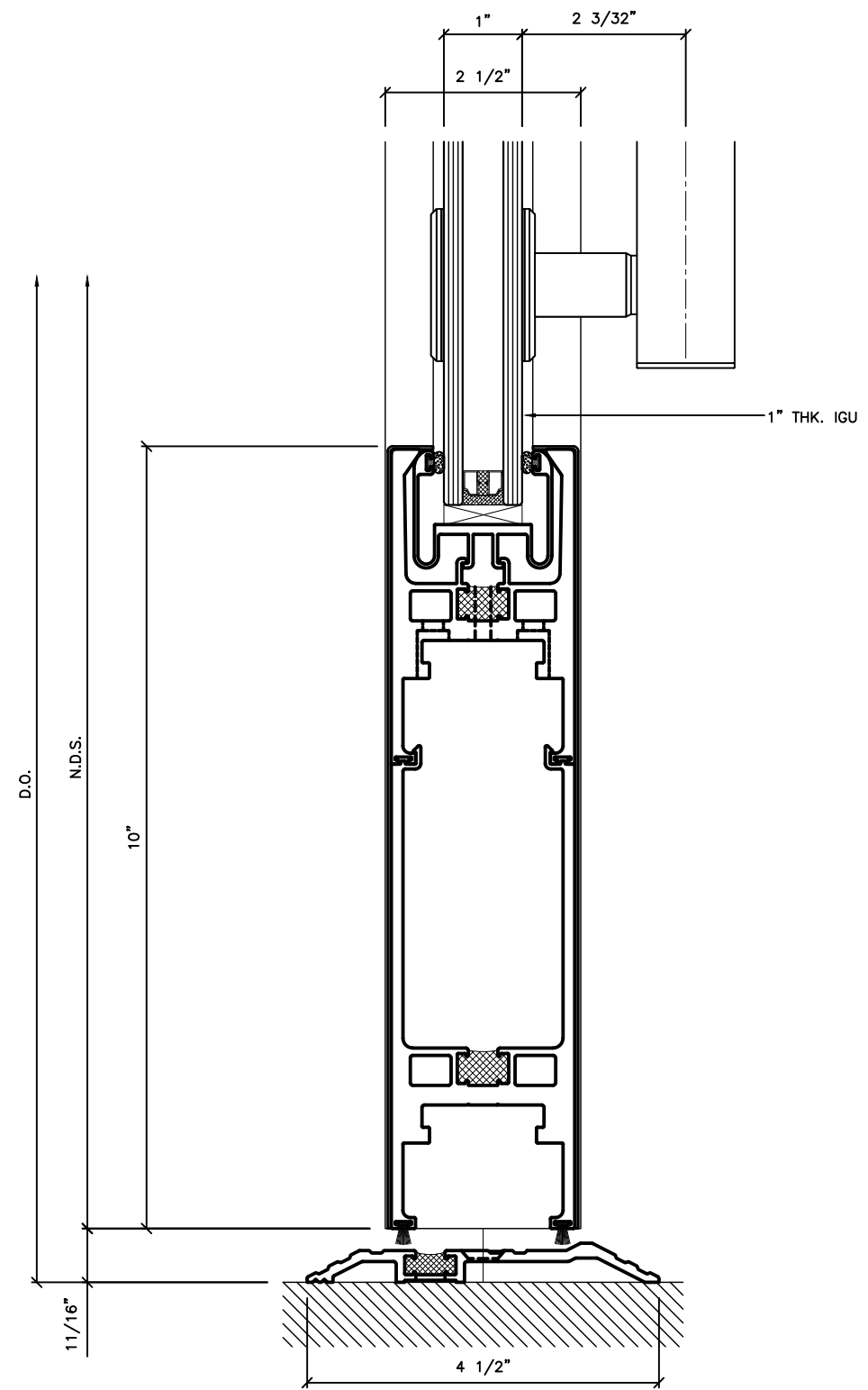
Description:  
 CRL BLUMCRAFT  
 PA300 PANIC HANDLE  
 FOR 1/2" AND 3/4" GLASS

Drawn By: NW  
 Date: 04/02/20  
 Scale:  
 File Name: WLDRLR3812.dwg

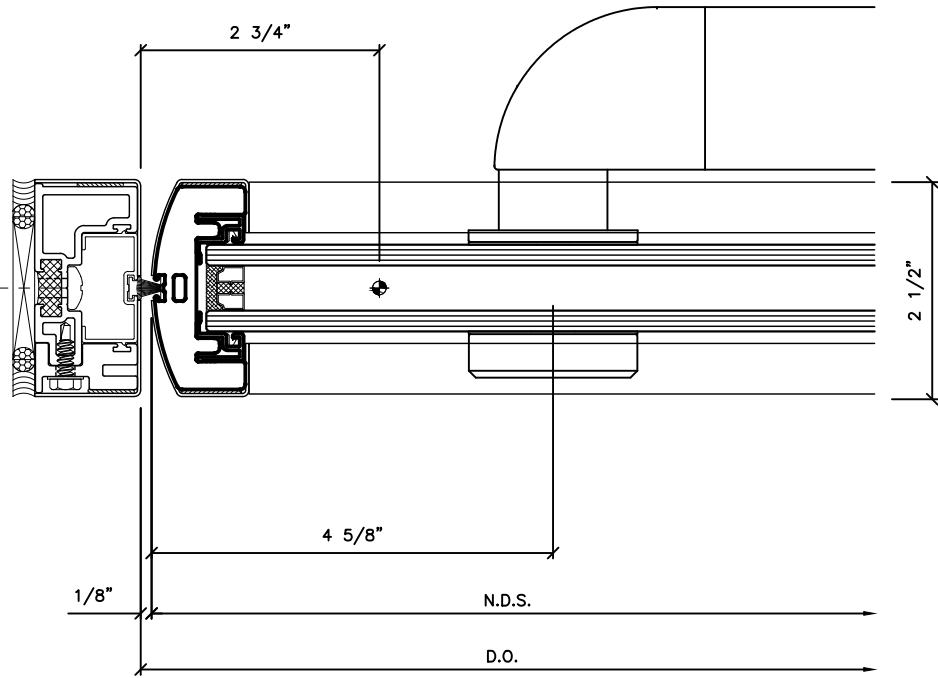
Sheet  
 49



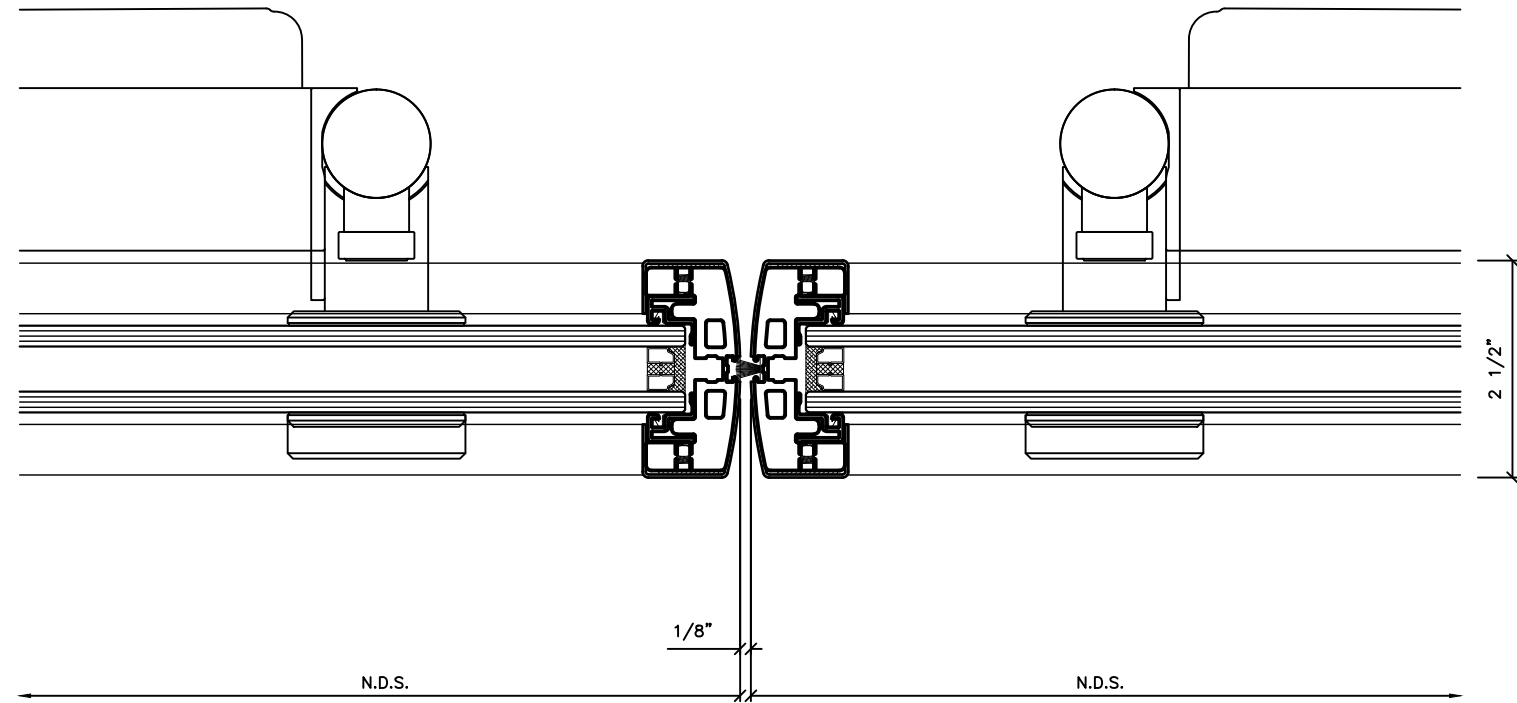
① P310Z CONNECTION DETAIL @ ENTICE TOP RAIL  
 1:1 ARCH. REF.: N/A



② PA310Z CONNECTION DETAIL @ ENTICE BOTTOM RAIL  
 1:1 ARCH. REF.: N/A



① PA310Z CONNECTION DETAIL @ DOOR JAMB  
 1:1 ARCH. REF.: N/A



② PA310Z CONNECTION DETAIL @ MEETING STILE  
 1:1 ARCH. REF.: N/A

Revisions By:

**CRL**

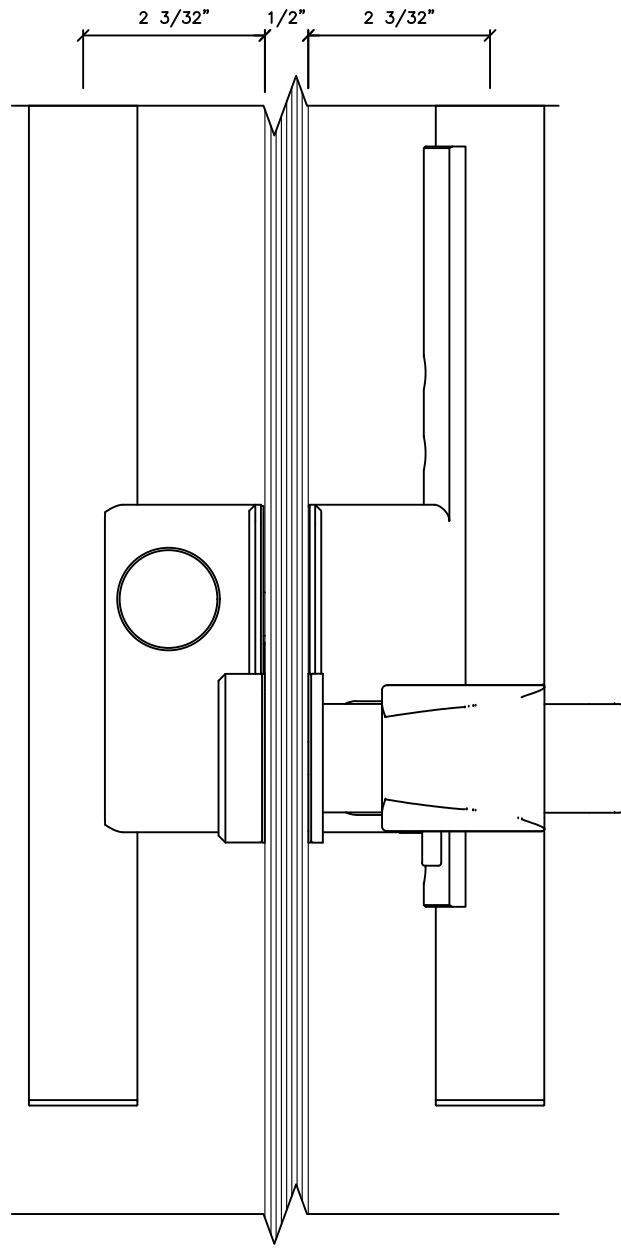
2503 E. Vernon Avenue, Los Angeles, CA 90058-1897  
 PH (800)-421-6144 FX: 800-587-7501 www.crlaurence.com

Description:  
 CRL BLUMCRAFT  
 PA300 PANIC HANDLE  
 FOR 1 1/2" AND 3/4" GLASS

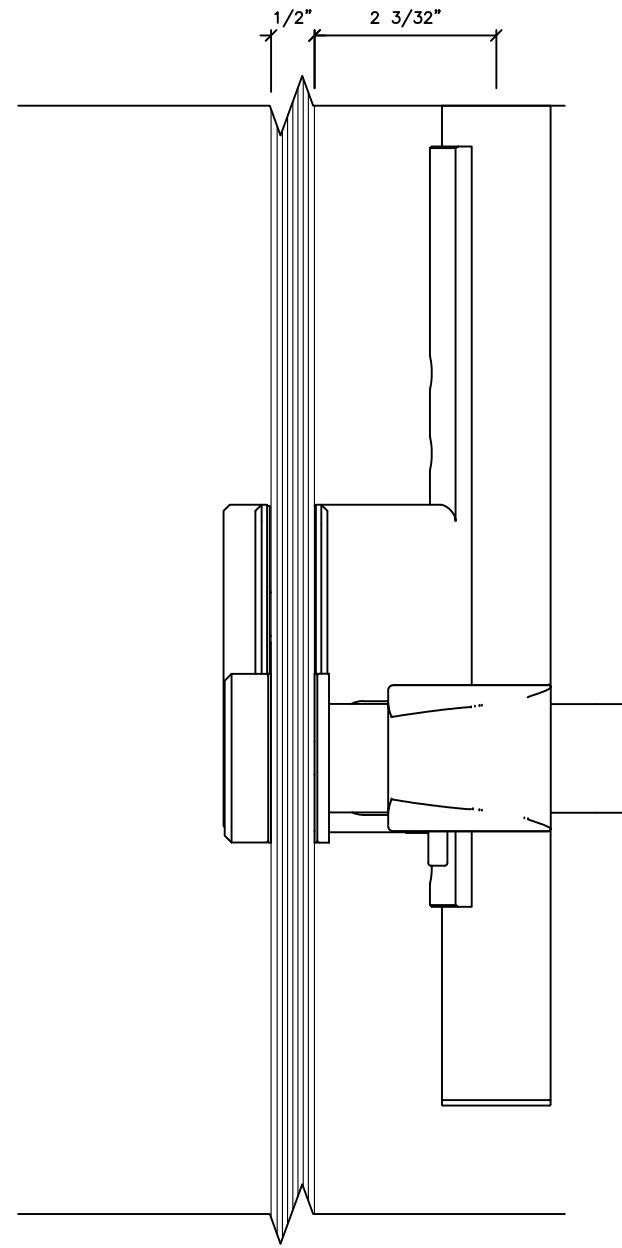
Drawn By: NW  
 Date: 04/02/20  
 Scale:  
 File Name: WLDRLR3812.dwg

Sheet

50



① PA320JS PANIC BAR DETAIL  
1:1 ARCH. REF.: N/A



② PA320Z PANIC BAR DETAIL  
1:1 ARCH. REF.: N/A

Revisions By:

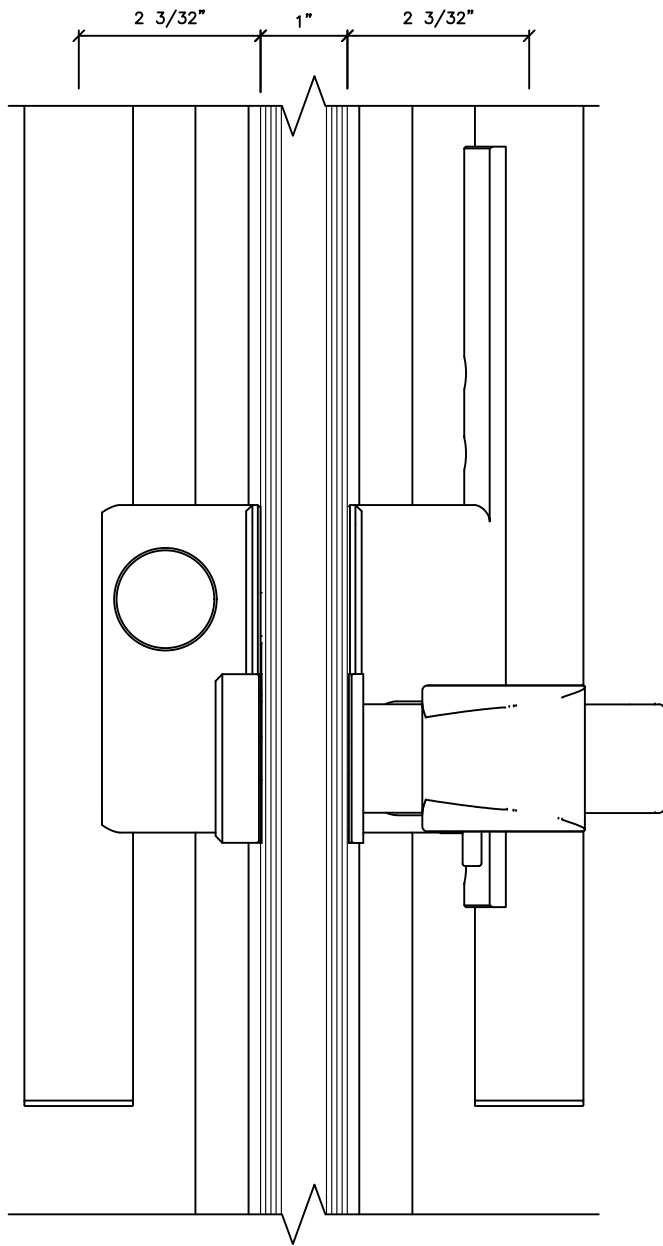
**CRL**

2503 E. Vernon Avenue, Los Angeles, CA 90058-1897  
PH (800)-421-6144 FX: 800-587-7501 www.crlaurence.com

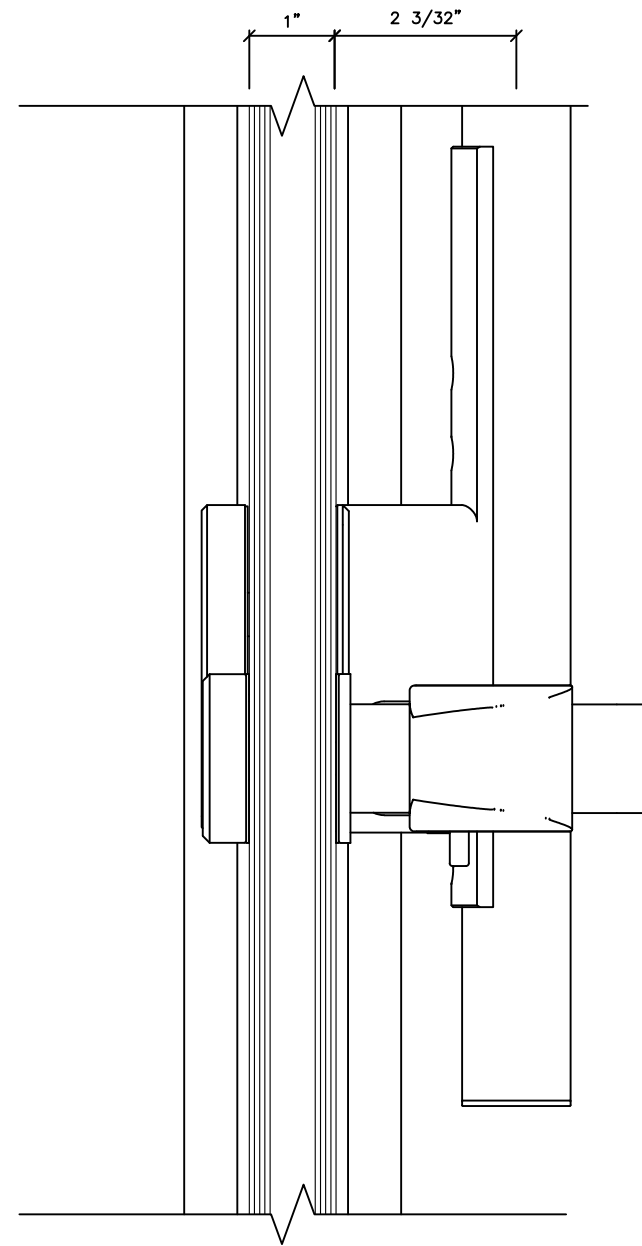
Description:  
CRL BLUMCRAFT  
PA300 PANIC HANDLE  
FOR 1/2" AND 3/4" GLASS

Drawn By: NW  
Date: 04/02/20  
Scale:  
File Name: WLDRLR3812.dwg

Sheet



① PA320JS PANIC BAR DETAIL  
1:1 ARCH. REF.: N/A



② PA320Z PANIC BAR DETAIL  
1:1 ARCH. REF.: N/A

Revisions By:

**CRL**

2503 E. Vernon Avenue, Los Angeles, CA 90058-1897  
PH (800)-421-6144 FX: 800-587-7501 www.crlaurence.com

Description:  
CRL BLUMCRAFT  
PA300 PANIC HANDLE  
FOR 1/2" AND 3/4" GLASS

Drawn By: NW  
Date: 04/02/20  
Scale:  
File Name: WLDRLR3812.dwg

Sheet

52