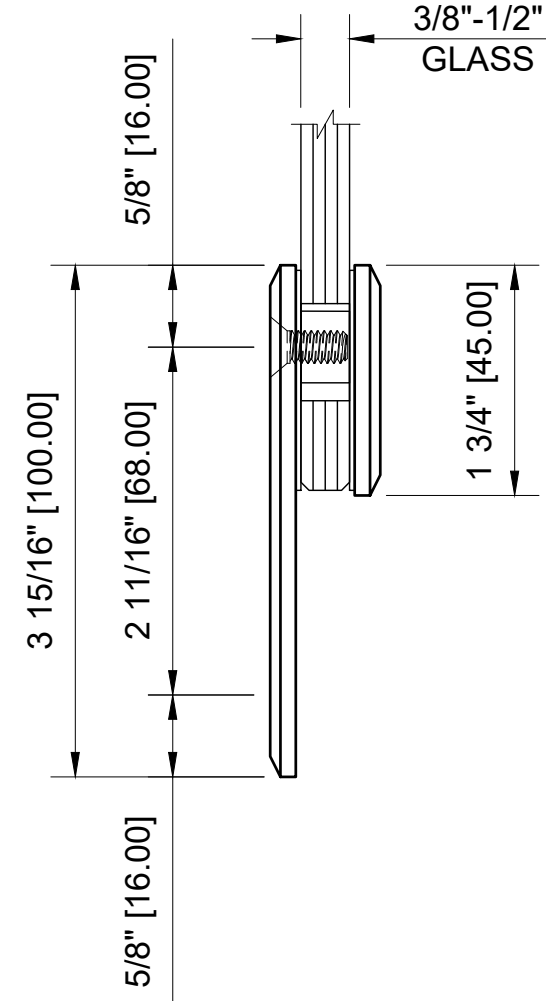
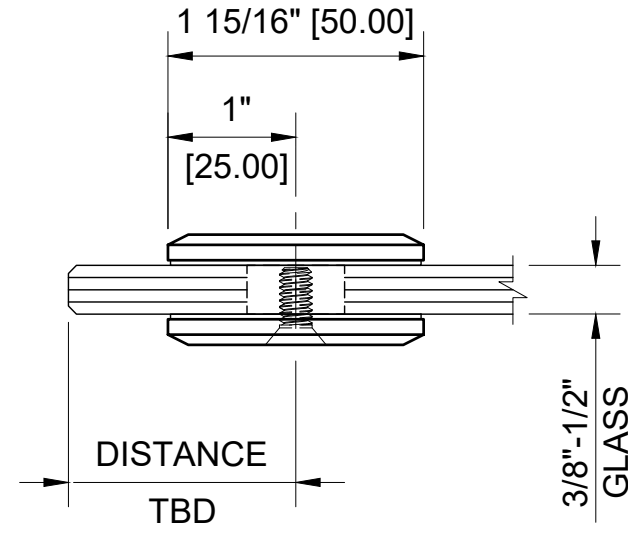
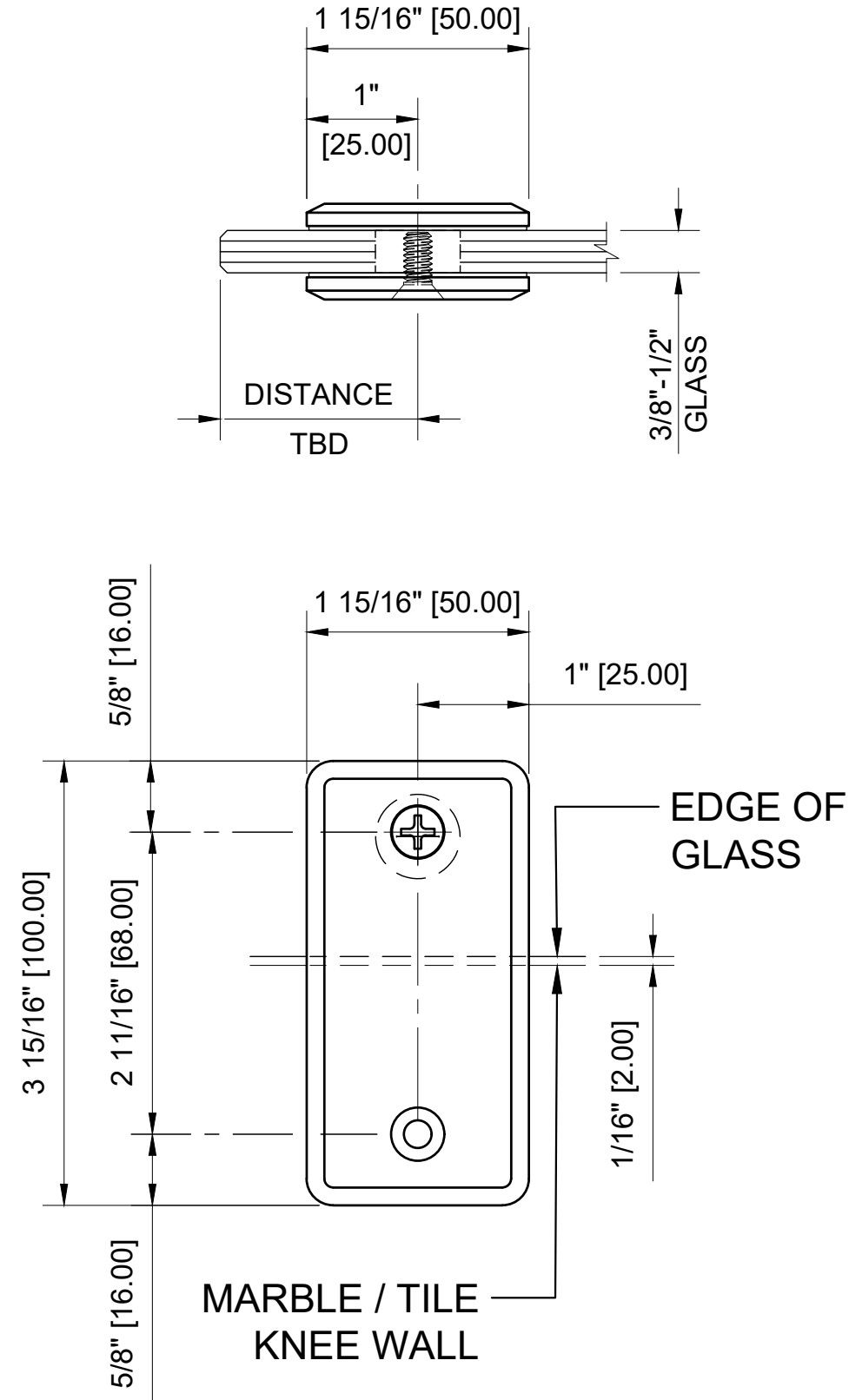


USE OF GASKETS

FOR 3/8" (10mm) GLASS:
 FOR 1/2" (12mm) GLASS:



BGC182XX - CRL BEVELED STYLE 'Y' INLINE GLASS CLAMP



C.R. LAURENCE CO. ARCHITECTURAL PRODUCTS
 2503 E. Vernon Avenue, Los Angeles, CA 90058-1897
 PH (800)-421-6144 FX: 800-587-7501 www.crlaurence.com

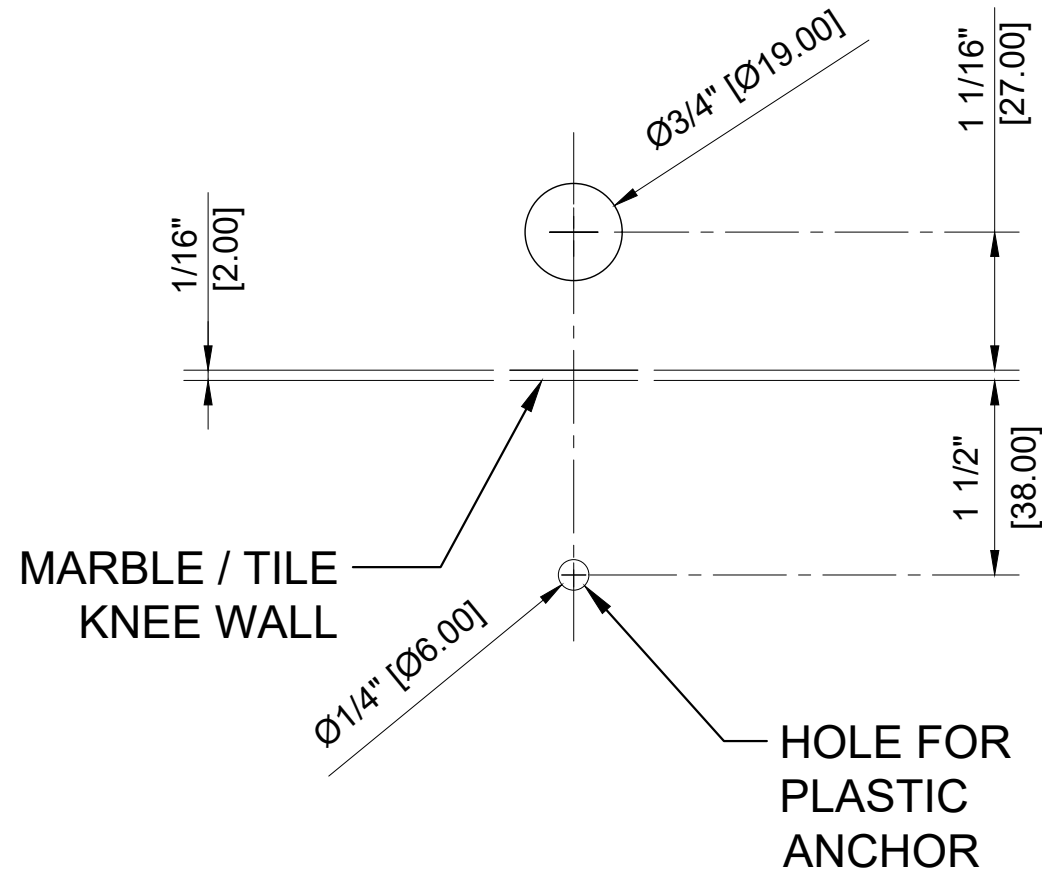
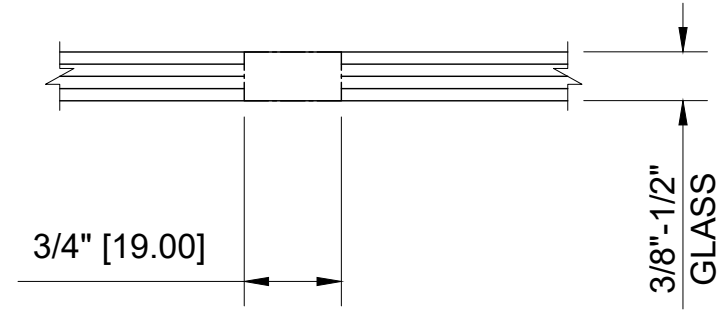
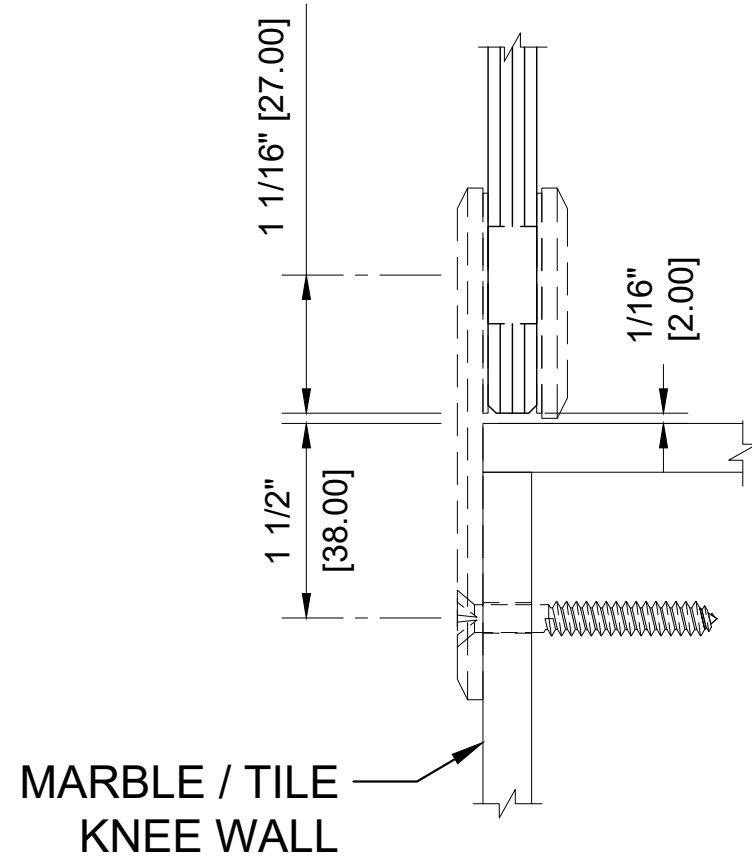
DESCRIPTION:
 CTS CRL - BEVELED STYLE GLASS CLAMP
 'Y' INLINE WALL TO GLASS APPLICATION

DATE: 12-3-2019
 SCALE: 6"=1'-0"
 DRAWN BY: VM

USE OF GASKETS

FOR 3/8" (10mm) GLASS:

FOR 1/2" (12mm) GLASS:



"Y" INLINE WALL TO GLASS CLAMP
 3/4" (19mm) DIAMETER HOLE
 1/16" (2mm) GAP CLEARANCE
 GLASS FABRICATION TEMPLATE

BGC182XX - CRL BEVELED STYLE 'Y' INLINE GLASS CLAMP

DATE: 12-3-2019

SCALE: 6"=1'-0"

DRAWN BY: VM

DESCRIPTION:
 CTS CRL - BEVELED STYLE GLASS CLAMP
 'Y' INLINE WALL TO GLASS APPLICATION

C.R. LAURENCE CO. ARCHITECTURAL PRODUCTS
 2503 E. Vernon Avenue, Los Angeles, CA 90058-1897
 PH (800)-421-6144 FX: 800-587-7501 www.crlaurence.com

