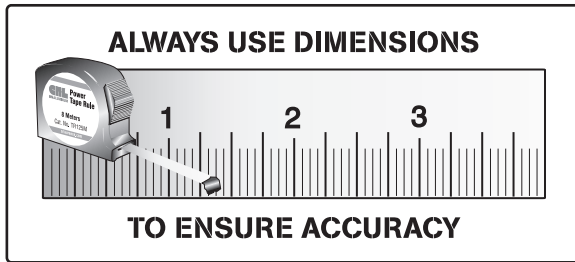
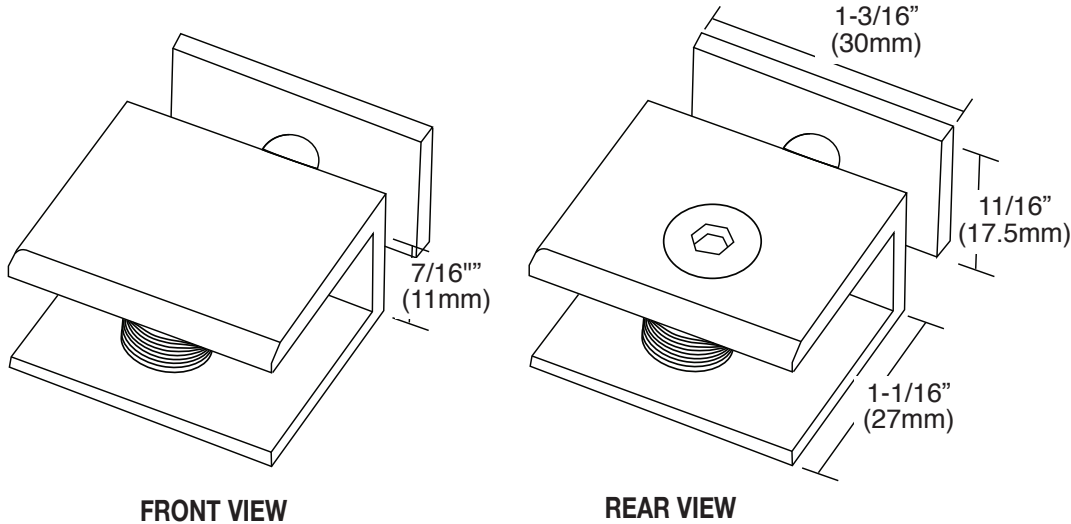




**C.R. LAURENCE CO., INC.**  
PROFESSIONAL QUALITY

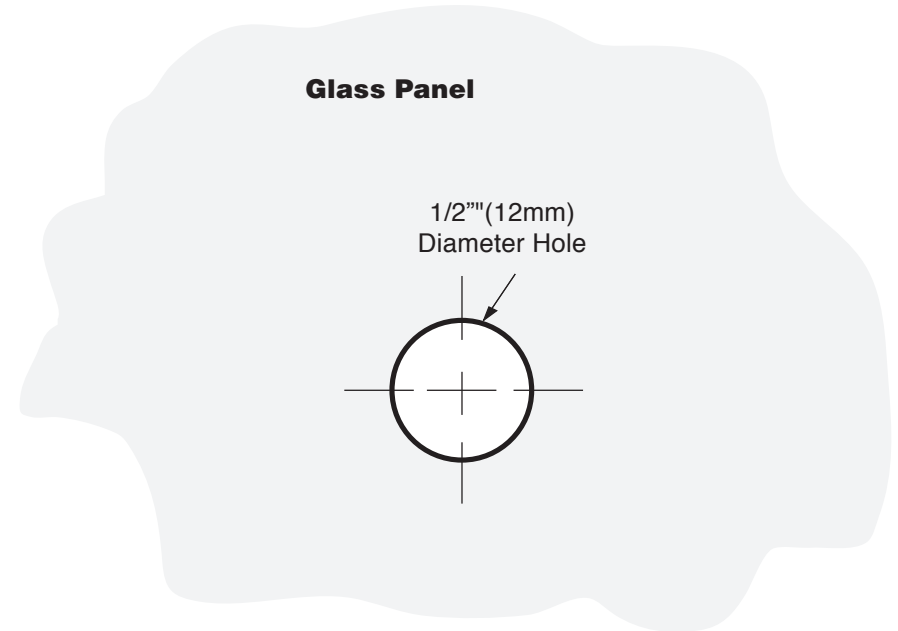


**THRU-GLASS  
SHELF CLAMPS**  
Square Cornered  
**CAT. No. FA80**

**Specifications:**

- Material:** Solid brass
- Glass Thickness Range:** 1/4"(6mm) to 3/8"(10mm)
- Hole Size Required:** 1/2" (12mm)
- Includes:** Mounting screws and gaskets

**TYPICAL INSTALLATION**



C.R. Laurence Co., Inc. For technical assistance in the United States call toll free (800) 421-6144; from Canada call toll free (877) 421-6144; crlaurence.com Outside the U.S. and Canada call (323) 588-1281. Ask for Tech Sales at Extension 7740. Toll free fax (800) 458-7496.