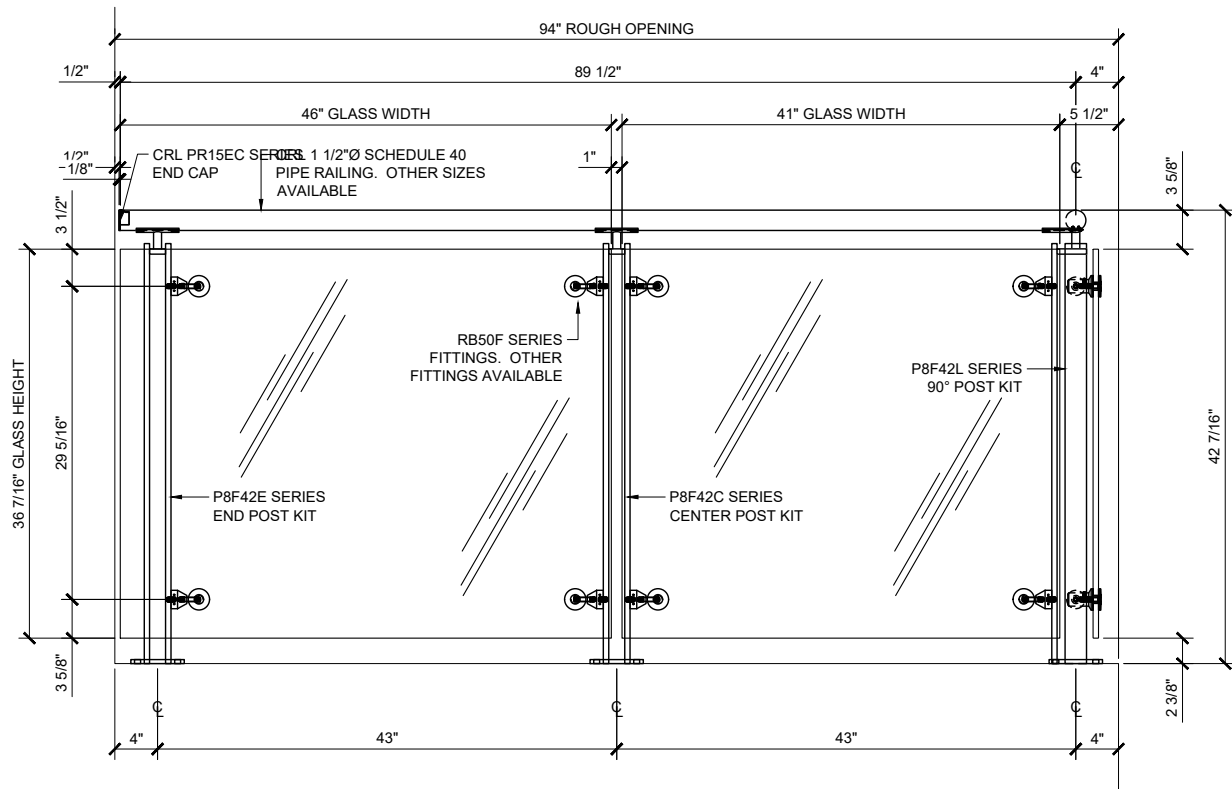
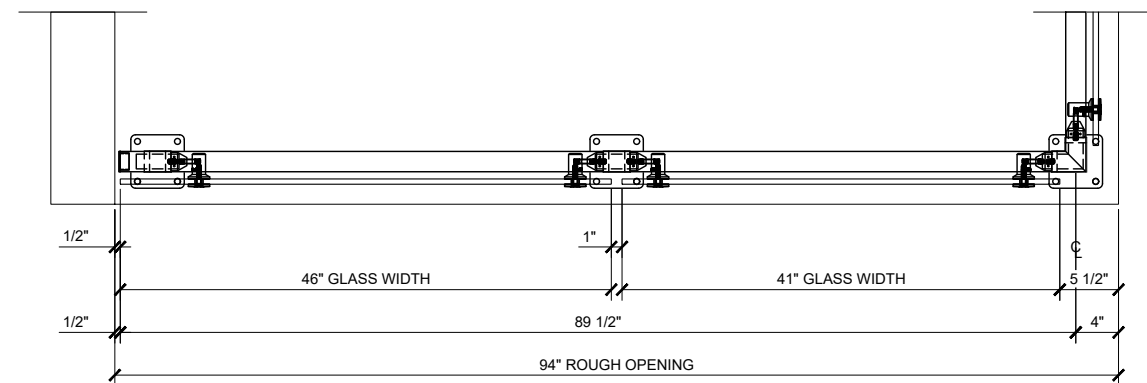


# CRL P8 SERIES POST RAILING SYSTEM

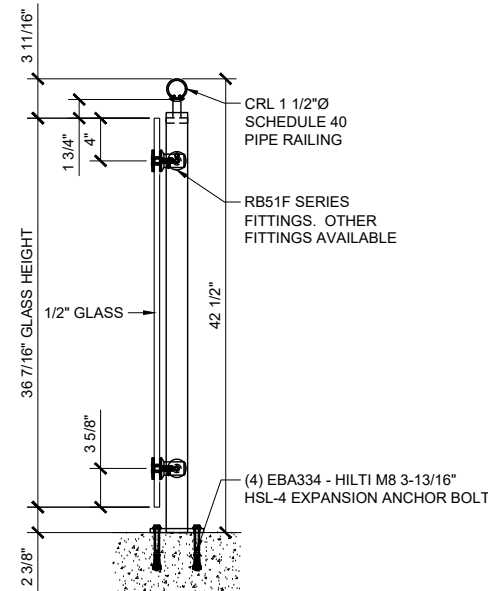
- \* DESIGNED TO ACCEPT 1/2" TO 27/32" TEMPERED GLASS
- \* TOP SADDLE SUPPORTS 1 1/4"Ø (1.66" O.D.) & 1 1/2"Ø (1.90" O.D.) SCHEDULE 40 PIPE RAILING AND 1 1/2"Ø O.D. TUBE RAILING
- \* 36" AND 42" STANDARD POST HEIGHTS WITH CUSTOM HEIGHTS AVAILABLE
- \* TWO STANDARD STAINLESS STEEL FINISHES WITH CUSTOM POWDER PAINT FINISHES ALSO AVAILABLE



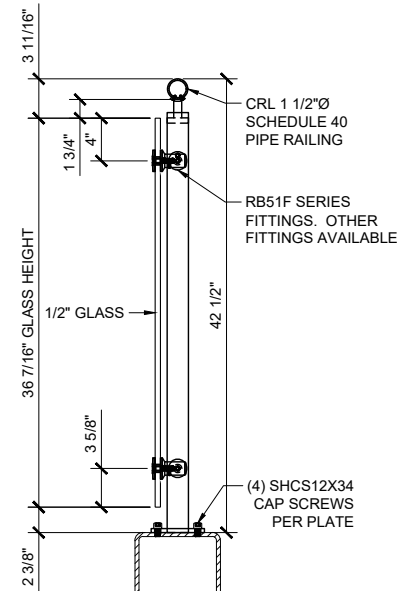
**TYPICAL ELEVATION**  
1 1/2"=1'-0"



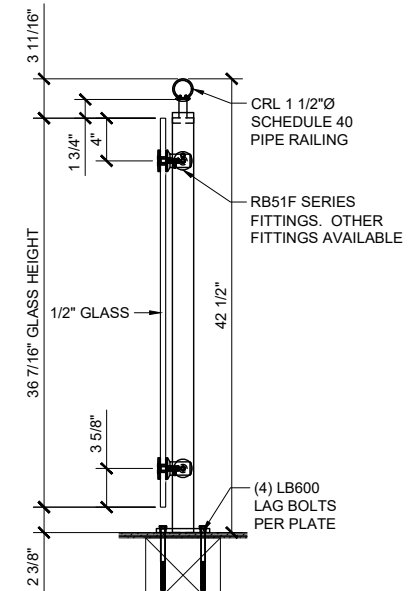
**TYPICAL PLAN VIEW**  
1 1/2"=1'-0"



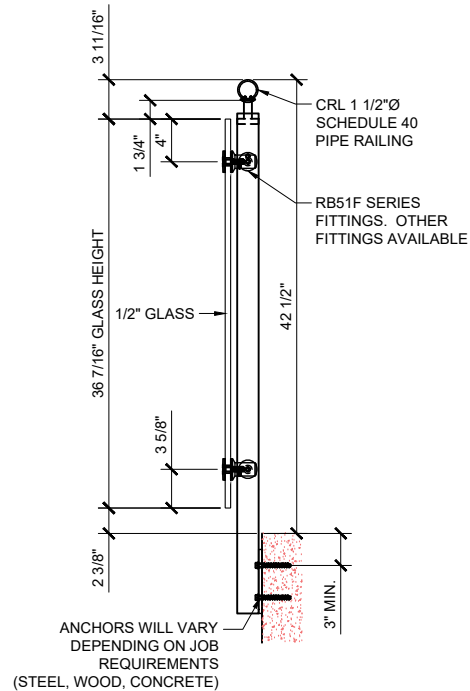
**CONCRETE MOUNT**  
1 1/2"=1'-0"



**STEEL MOUNT**  
1 1/2"=1'-0"



**WOOD MOUNT**  
1 1/2"=1'-0"



**FASCIA MOUNT**  
1 1/2"=1'-0"

Revisions By:

**CRL.**

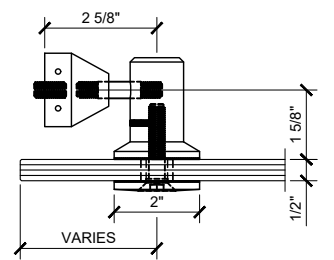
2503 E. Verdon Avenue, Los Angeles, CA 90058-1897  
PH (800)-421-6144 FX: 800-587-7501 www.crlra.com

Description:  
CRL P8 SERIES  
POST RAILING SYSTEMS  
SYS0071H

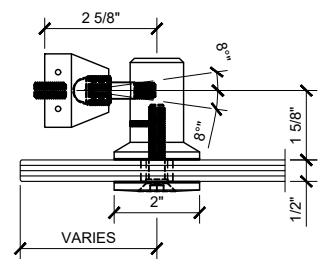
Drawn By: SDH  
Date: 03/08/2017  
Scale: AS NOTED  
File Name:  
SYS0071H P8 Series Stainless Steel Post Railing System

Sheet

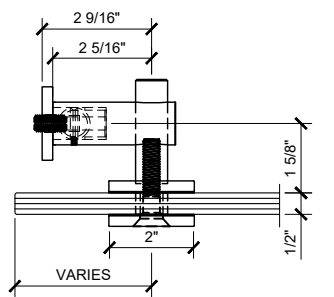
1.01



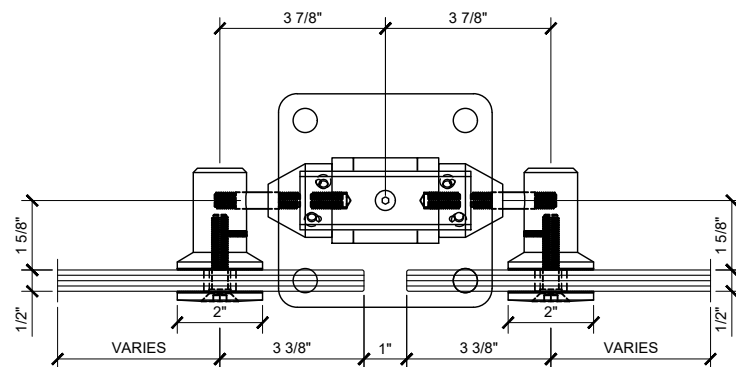
**RB50F FIXED FITTING**  
TOP VIEW 6"=1'-0"



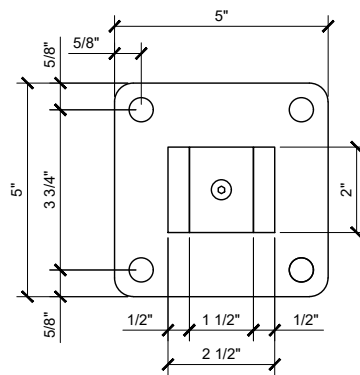
**RB50S SWIVEL FITTING**  
TOP VIEW 6"=1'-0"



**RB51F FIXED FITTING**  
TOP VIEW 6"=1'-0"



**RB50F FIXED FITTING W/FLANGE**  
TOP VIEW 6"=1'-0"



**P8 FLANGE**  
TOP VIEW 6"=1'-0"

Revisions By:

**CRL.**

2503 E. Verron Avenue, Los Angeles, CA 90058-1897  
PH (800)-421-6144 FX: 800-557-7501 www.crlaurence.com

Description:  
CRL P8 SERIES  
POST RAILING SYSTEMS  
SYS0071H

Drawn By: SDH  
Date: 03/08/2017  
Scale: AS NOTED  
File Name:  
SYS0071H P8 Series Stainless Steel Post Railing System

Sheet

2.01