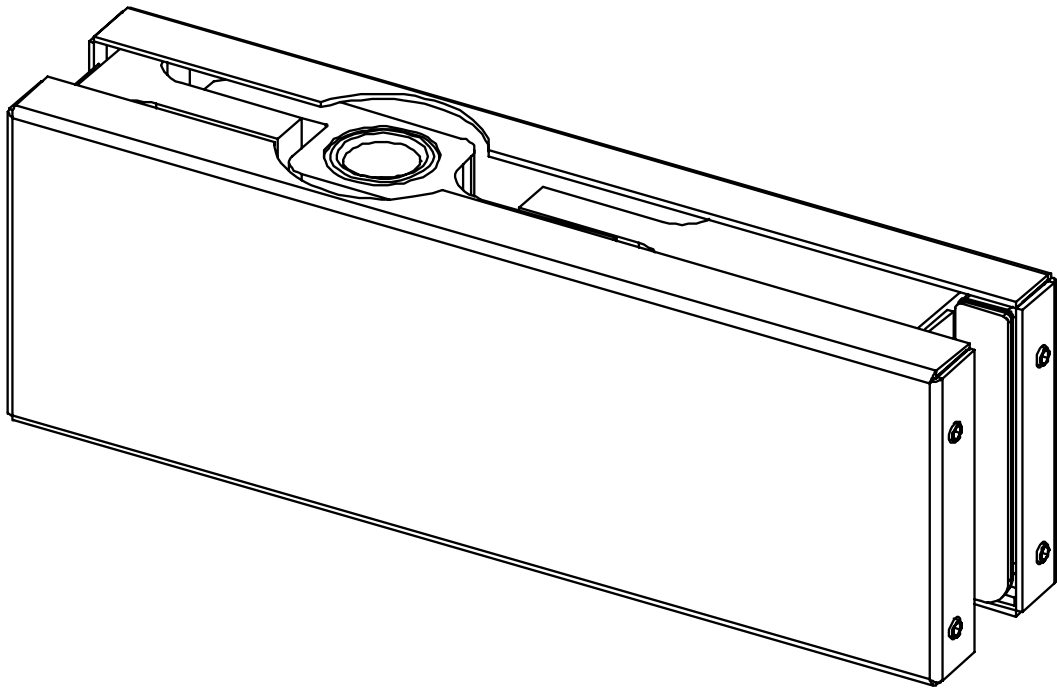


# CRL HYDRAULIC TOP PATCH FITTING

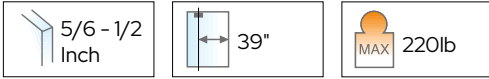


# CRL Hydraulic Top Patch Fitting

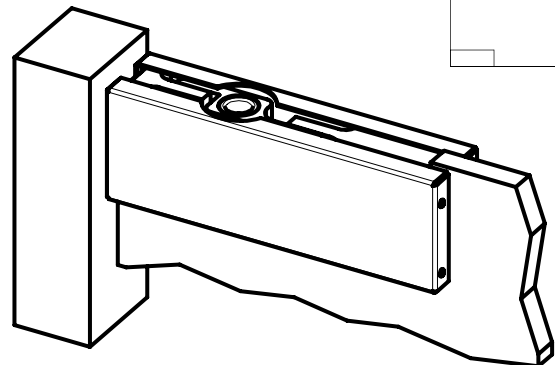
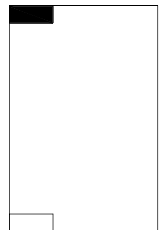
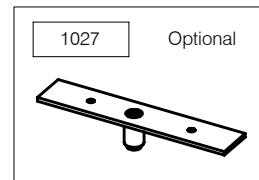
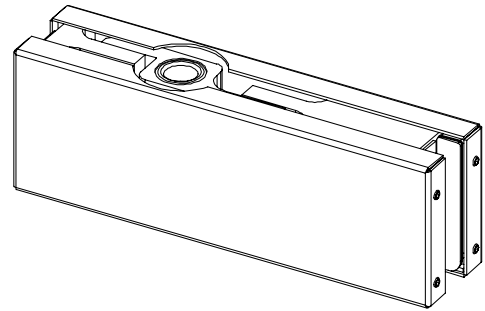
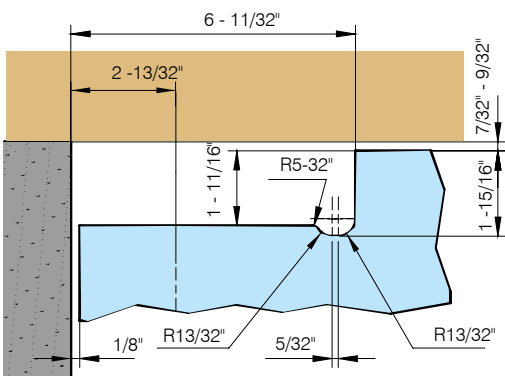
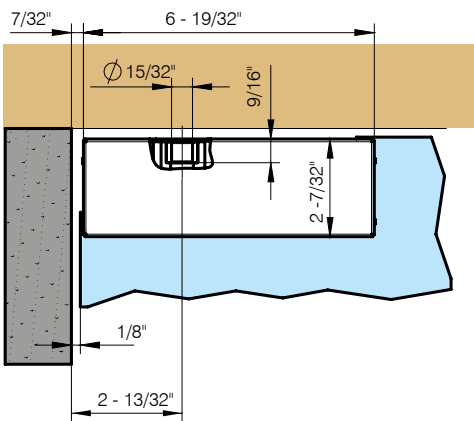
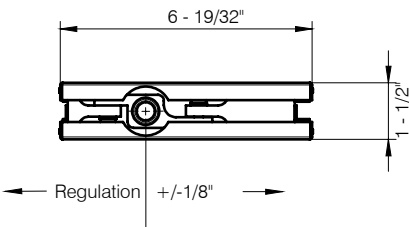


CAUTION: For installations in particular environments or climate (ex. wet, acid, saline) consult sales office first

## CRL



- Top hinge
- Cerniera superiore
- Bisagra superior
- Oberes Band
- Charnière supérieure



Glass processing for pivoting applications - Lavorazione vetro per applicazione pivotante - Labrado del vidrio en aplicación con "punto de giro" - Glasbearbeitung für schwenkende Installation - Transformation du verre pour application pivotante

