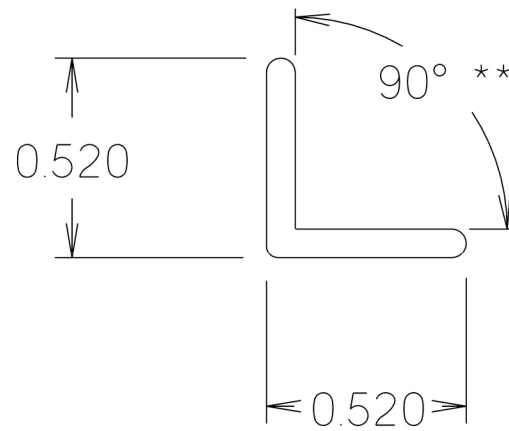


ACTUAL SIZE



- 0.075 WALL THICKNESS
- MATERIAL: PETG
- CUT-OFF: SEE WORK ORDER
- "xx" INDICATES CRITICAL DIMENSION

1/2 "L" ANGLE JAMB/ USH

SCALE: 2:1 DATE:
NOV 26/21