

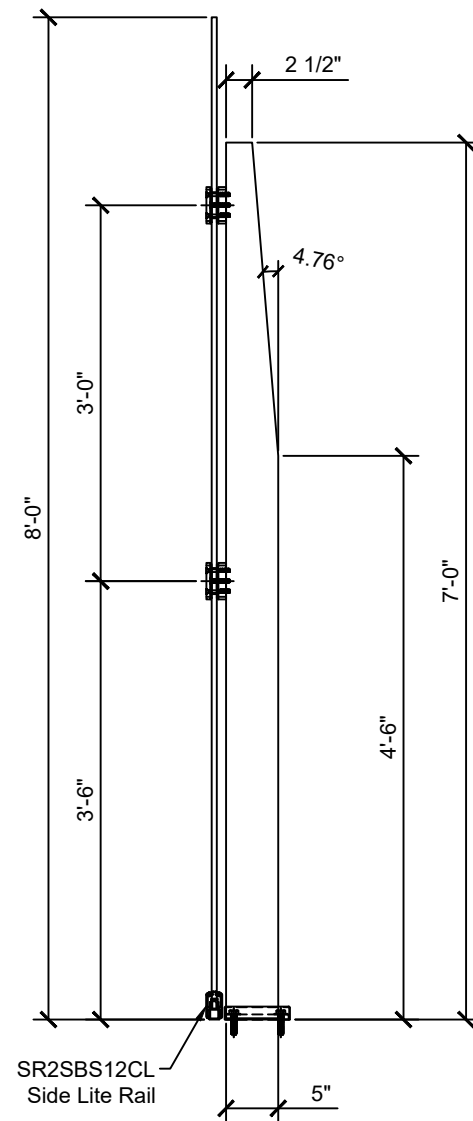
**STRUCTURAL DISCLAIMER:**

ALL CUSTOMERS WHO IN ANY WAY UTILIZE THIS PRODUCT ARE SOLELY RESPONSIBLE TO CONSULT A STRUCTURAL ENGINEER TO DETERMINE THE SUITABILITY OF THE PRODUCT FOR THE INTENDED USE AND SITE CONDITIONS. ALL INSTALLERS MUST BE QUALIFIED AND HAVE PROFESSIONAL KNOWLEDGE ABOUT COMPLIANCE WITH LOCAL, STATE AND FEDERAL REGULATIONS, SAFETY FACTORS, AND THE APPROPRIATE CHOICE OF FIXING MATERIAL AND PROCEDURES.

**ADDITIONAL SYSTEM NOTES:**

STANDARD SYSTEM DESIGNED FOR 1/2" TH. MONOLITHIC & 9/16" TH. LAMINATED GLASS PANELS.

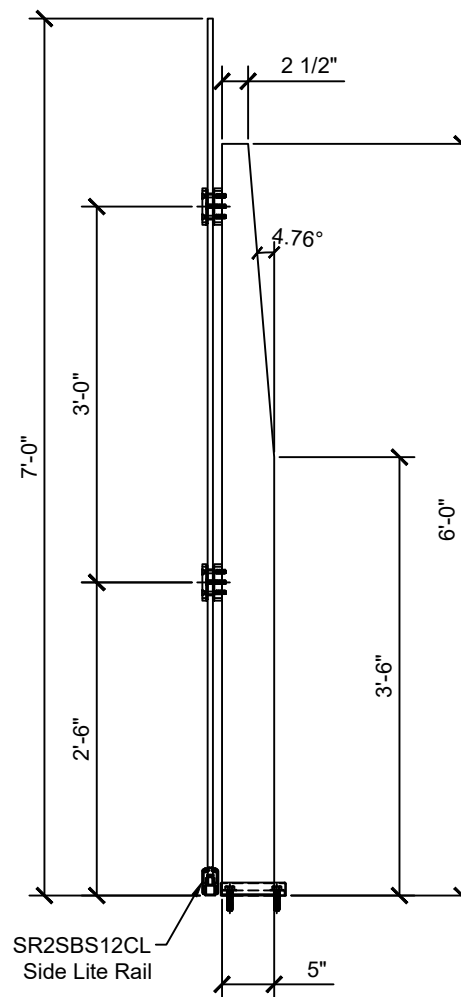
CONSULT WITH CRL ENGINEERING WHEN CHANGING STANDARD GLASS THICKNESS OR CUSTOMIZING



1 KPOSTBS - 3/4" TH. BRUSHED SS POST (84" TALL)

- K84CKBS - Center Post BS Finish 84" Tall Kit
- K84REKBS - Right End Post BS Finish 84" Tall Kit
- K84LEKBS - Left End Post BS Finish 84" Tall Kit

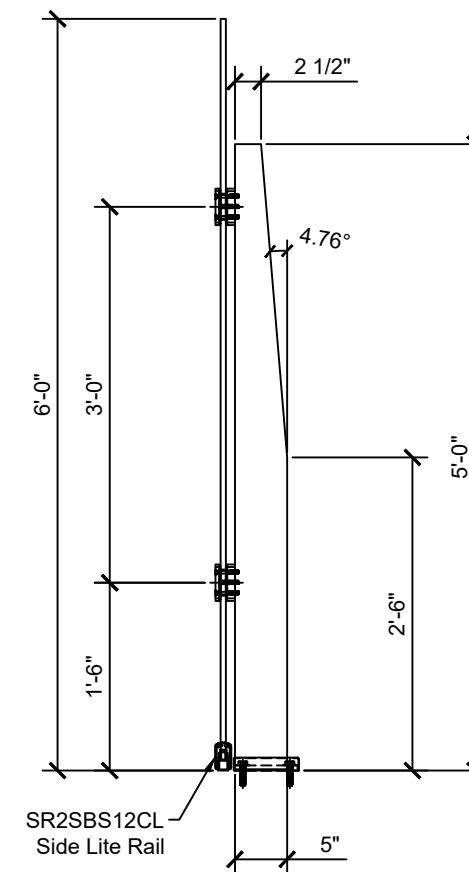
Scale: 1 1/2" = 1'-0"



2 KPOSTBS - 3/4" TH. BRUSHED SS POST (72" TALL)

- K72CKBS - Center Post BS Finish 72" Tall Kit
- K72REKBS - Right End Post BS Finish 72" Tall Kit
- K72LEKBS - Left End Post BS Finish 72" Tall Kit

Scale: 1 1/2" = 1'-0"



3 KPOSTBS - 3/4" TH. BRUSHED SS POST (60" TALL)

- K60CKBS - Center Post BS Finish 60" Tall Kit
- K60REKBS - Right End Post BS Finish 60" Tall Kit
- K60LEKBS - Left End Post BS Finish 60" Tall Kit

Scale: 1 1/2" = 1'-0"

Revisions By:

Description:

SYS0125A KLARITY OFFICE PARTITION SYSTEMS

Drawn By:JO

Date: 03/10/2021

Scale: AS NOTED

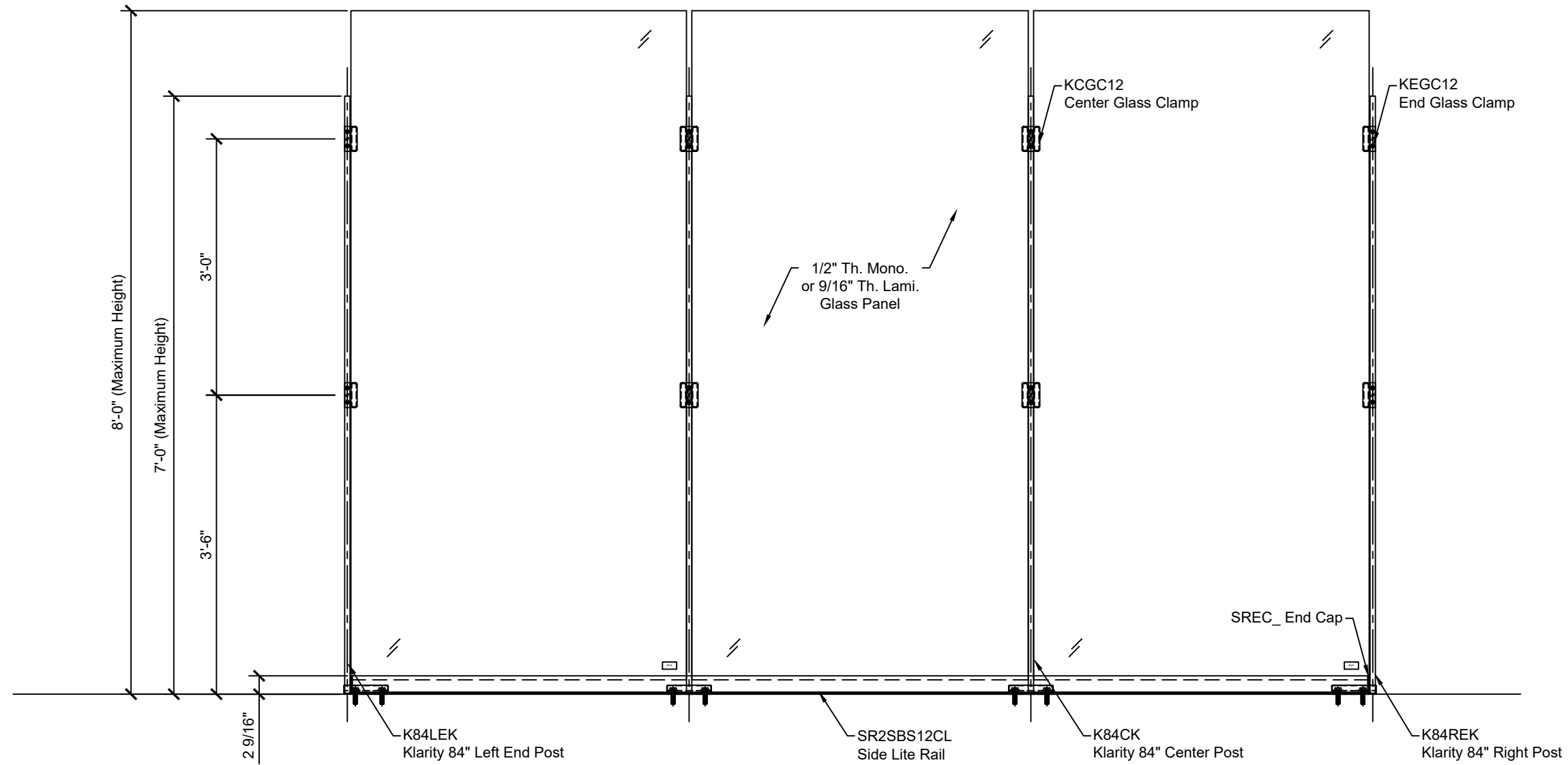
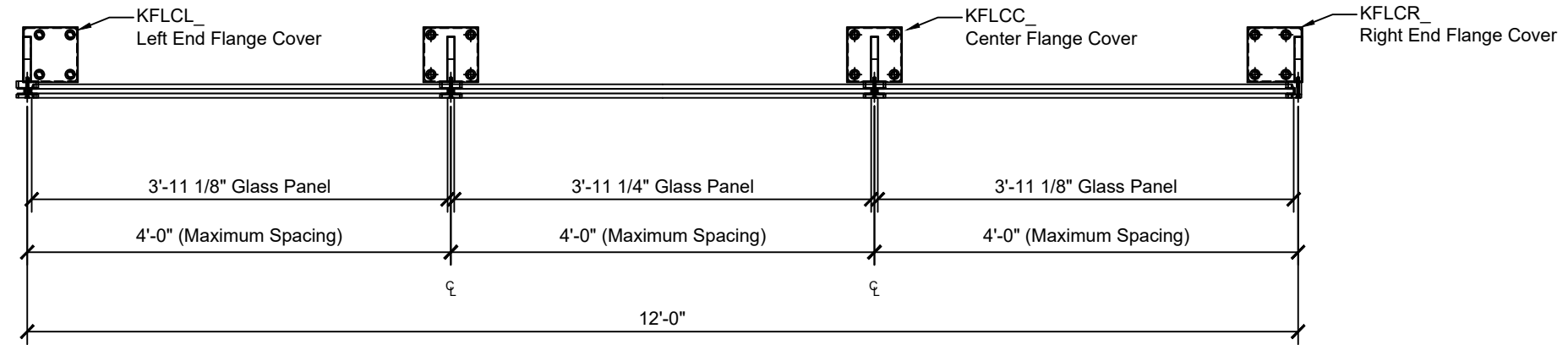
File Name:

SYS0125A KLARITY OFFICE PARTITION

Sheet

**CRL**

2503 E. Vernon Avenue, Los Angeles, CA 90058-1897  
PH: (800)-421-8144 FX: 800-587-7501 www.crlaurence.com



1 KLARITY INTERIOR POST PARTITION  
 Scale: 1 1/2" = 1'-0"

Revisions By:

**CRL**

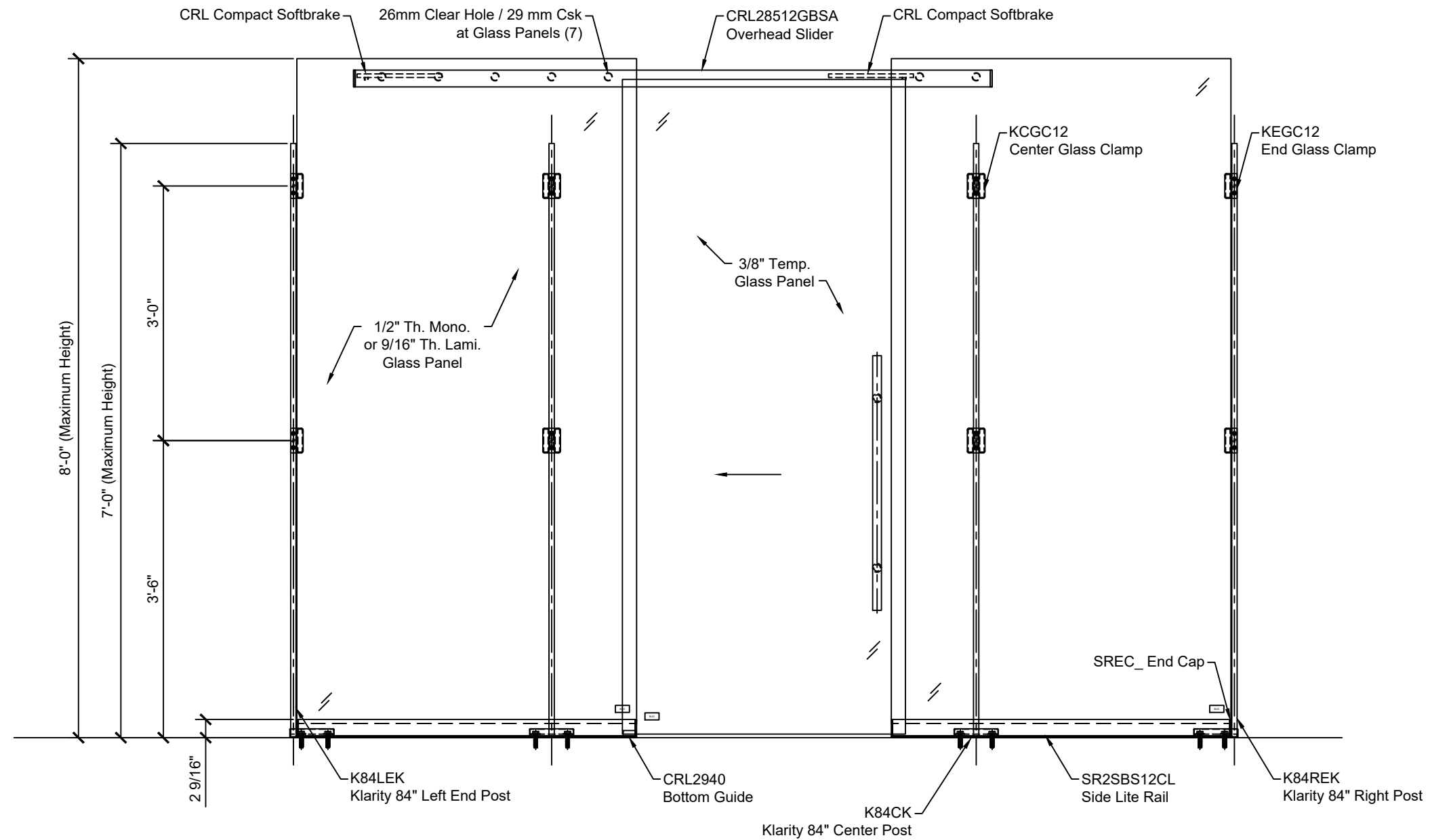
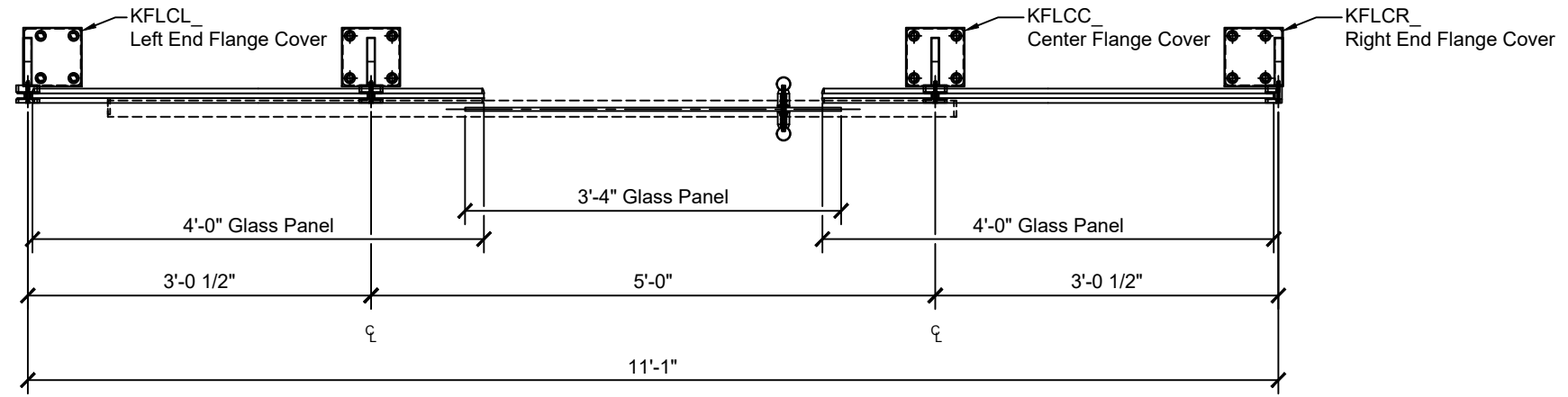
2503 E. Vernon Avenue, Los Angeles, CA 90058-1897  
 PH: (800)-421-8144 FX: 800-587-7501 www.crlaurence.com

Description:  
 SYS0125A KLARITY OFFICE  
 PARTITION SYSTEMS

Drawn By: J0  
 Date: 03/10/2021  
 Scale: AS NOTED  
 File Name:  
 SYS0125A KLARITY OFFICE PARTITION

Sheet

2



1 KLARITY INTERIOR POST PARTITION W/ SLIDING DOOR  
Scale: 1 1/2" = 1'-0"

Revisions By:

**CRL**

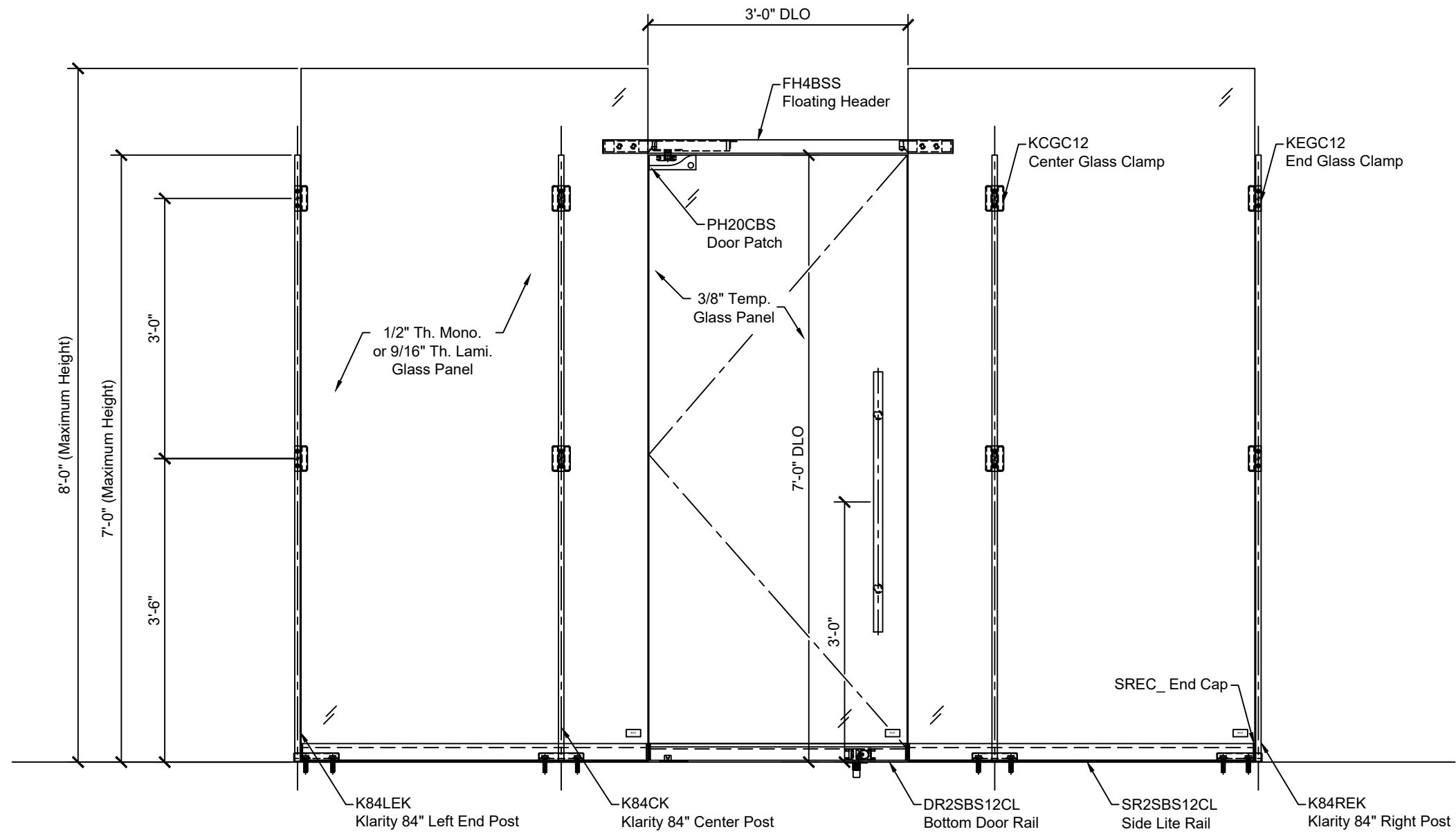
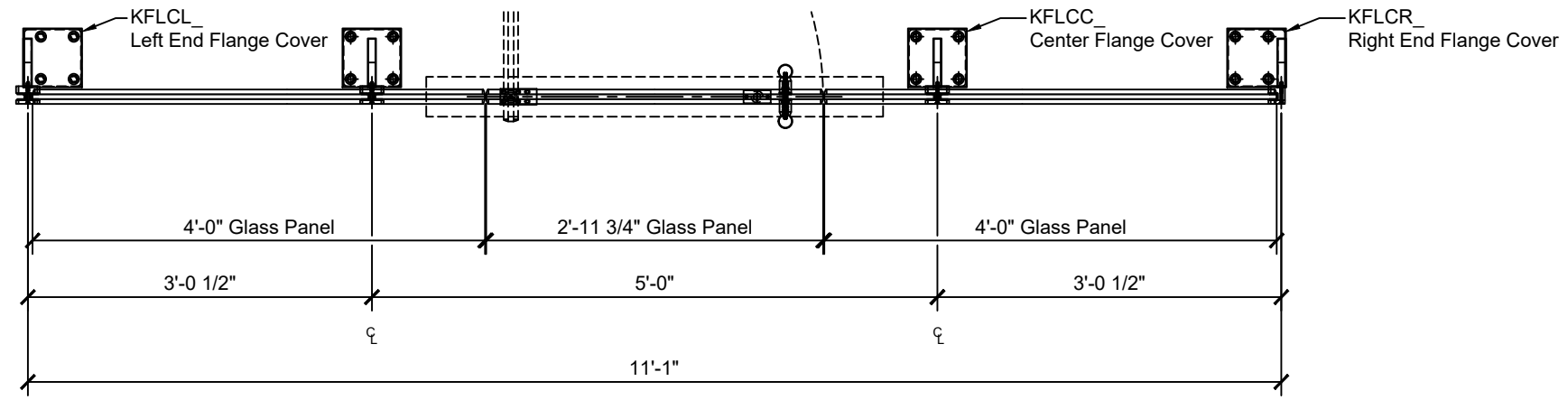
2503 E. Vernon Avenue, Los Angeles, CA 90058-1897  
PH: (800)-421-8144 FX: 800-587-7501 www.crlaerica.com

Description:  
SYS0125A KLARITY OFFICE  
PARTITION SYSTEMS

Drawn By: JDO  
Date: 03/10/2021  
Scale: AS NOTED  
File Name:  
SYS0125A KLARITY OFFICE PARTITION

Sheet

3



1 KLARITY INTERIOR POST PARTITION W/ OPTIONAL SWING DOOR

Scale: 1 1/2" = 1'-0"

Revisions By:

**CRL**

2503 E. Vernon Avenue, Los Angeles, CA 90058-1897  
 PH: (800)-421-6144 FX: 800-587-7501 www.crlaurence.com

Description:  
 SYS0125A KLARITY OFFICE  
 PARTITION SYSTEMS

Drawn By:JO

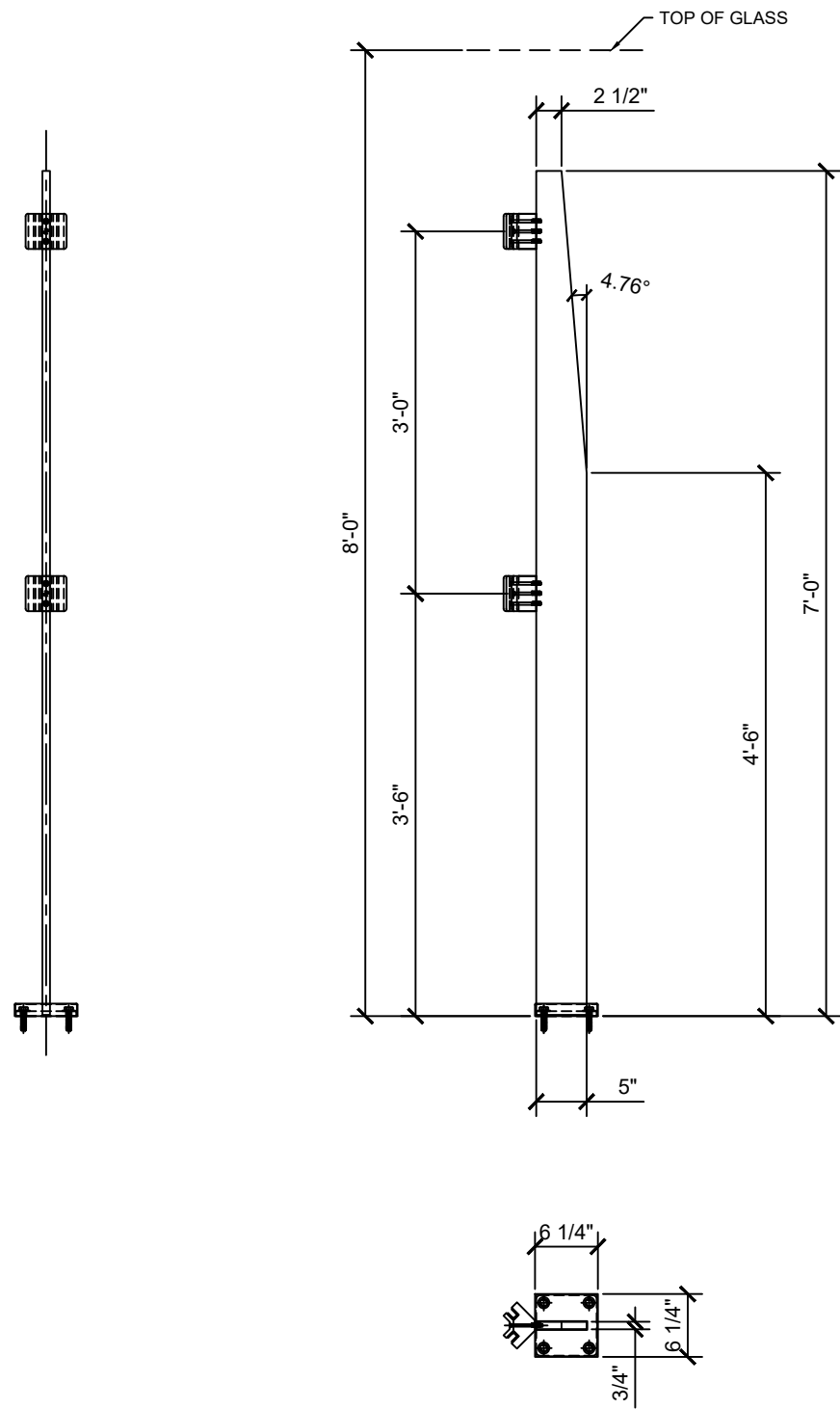
Date: 03/10/2021

Scale: AS NOTED

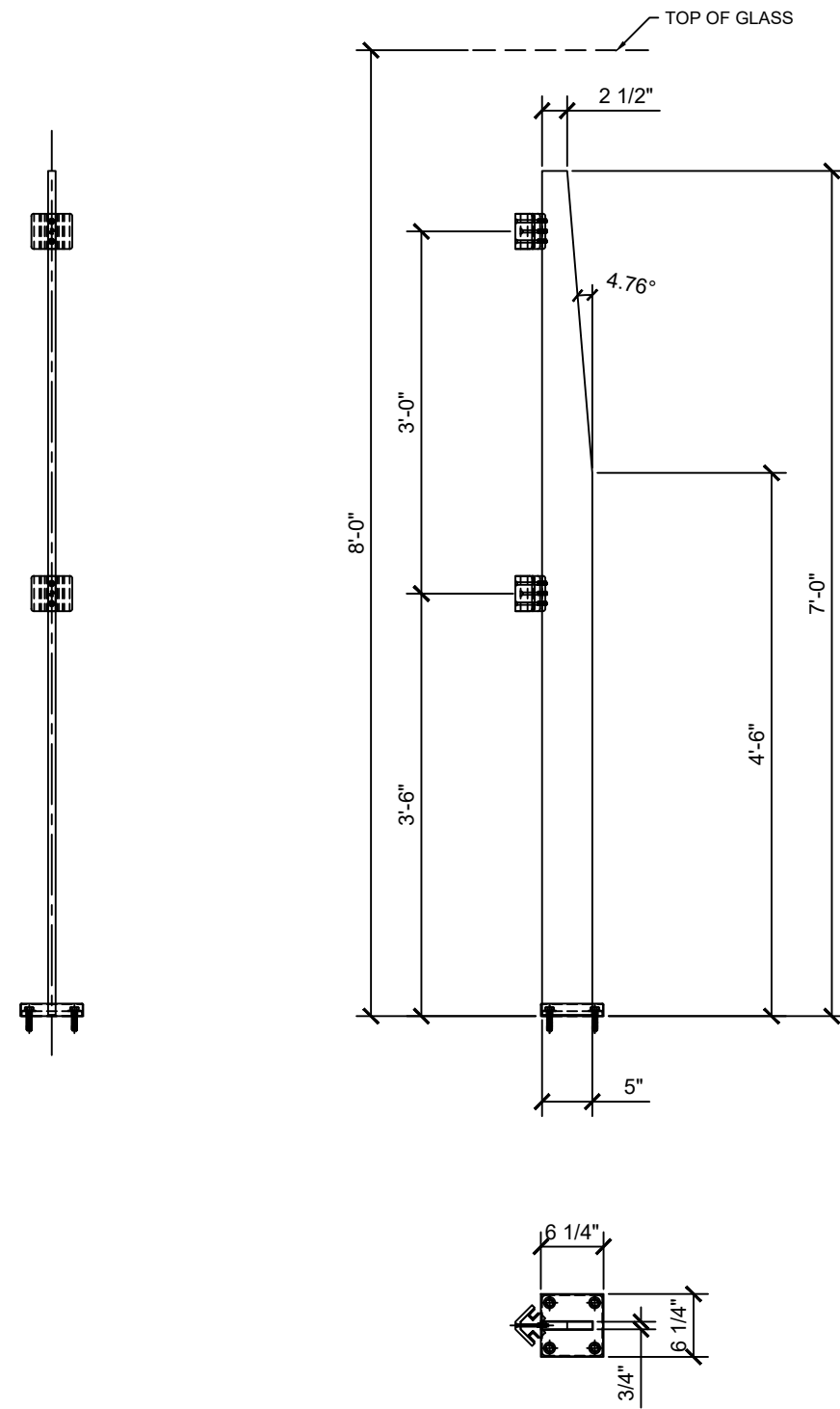
File Name:

SYS0125A KLARITY OFFICE PARTITION

Sheet



1 KLARITY INTERIOR PARTITION - INSIDE CORNER POST  
 KCRKBSC - Custom Corner Post BS Finish  
 Scale: 1 1/2" = 1'-0"



2 KLARITY INTERIOR PARTITION - OUTSIDE CORNER POST  
 KCRKBSC - Custom Corner Post BS Finish  
 Scale: 1 1/2" = 1'-0"

Revisions By:

**CRL**

2503 E. Vernon Avenue, Los Angeles, CA 90058-1897  
 PH: (800)-421-8144 FX: 800-587-7501 www.crlaurens.com

Description:  
 SYS0125A KLARITY OFFICE  
 PARTITION SYSTEMS

Drawn By:JO

Date: 03/10/2021

Scale: AS NOTED

File Name:

SYS0125A KLARITY OFFICE PARTITION

Sheet

5