

## Shower Door Hinges

### BELLAGIO

Glass-to-Glass Bracket	4A -1
Wall Mount Bracket	4A-3
Wall Mount Offset Backplate Hinge	4A-5
Glass-to-Glass 180° Hinge	4A-7

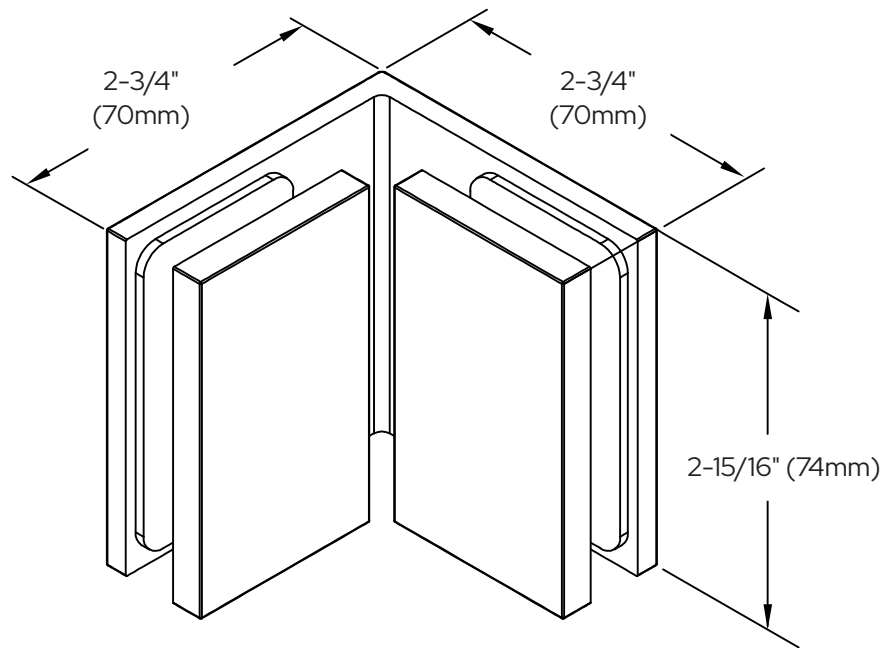
### COMO

Wall Mount Offset Backplate Hinge	4A-9
90° Glass-to-Glass Bracket	4A-11
Wall Mount Bracket	4A-13
Glass-to-Glass 180° Hinge	4A-15

### LUGANO

90° Glass-to-Glass Bracket	4A-17
Glass-to-Glass 180° Hinge	4A-19
Wall Mount Outswing Hinge	4A-21
Wall Mount Bracket	4A-23

**\* SEE TEMPLATE ON BACK \***  
Refer to Dimensions Shown  
to Ensure Accuracy



### Specifications:

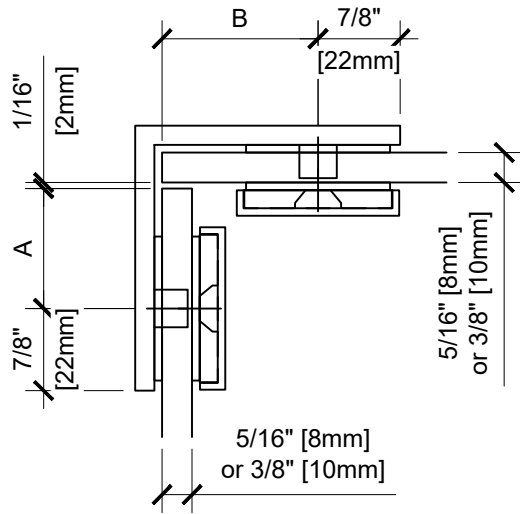
Material:	Solid brass
Glass Thickness Range:	5/16" (8mm) to 3/8" (10mm)
Hole Size Required:	5/8" (16mm)
Includes:	Mounting, screws and gaskets

## BELLAGIO

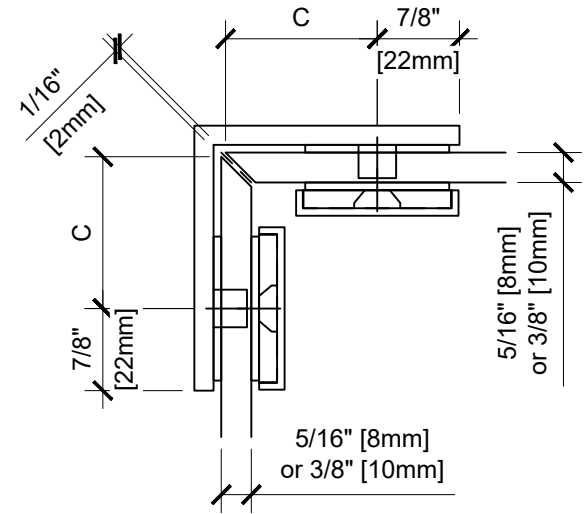
Glass-to-Glass Bracket

CAT. NO. BEL090

**\*NOTE:** Do not exceed either maximum weight or width when choosing proper quantity of hinges.

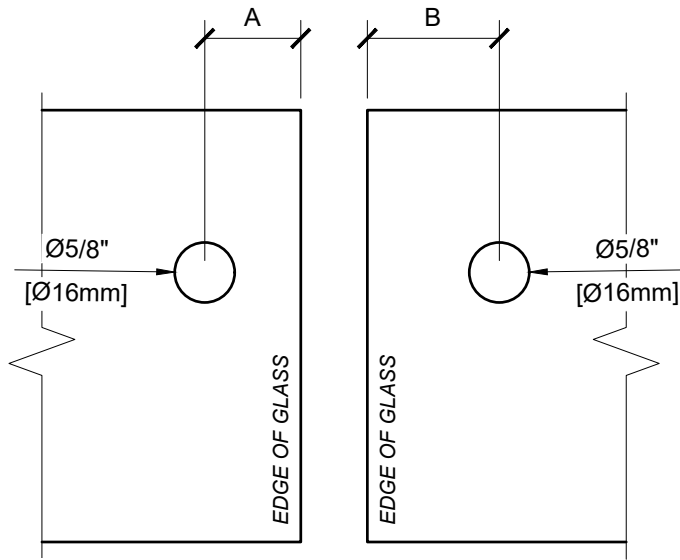


OVERLAP GLASS CUTOUT

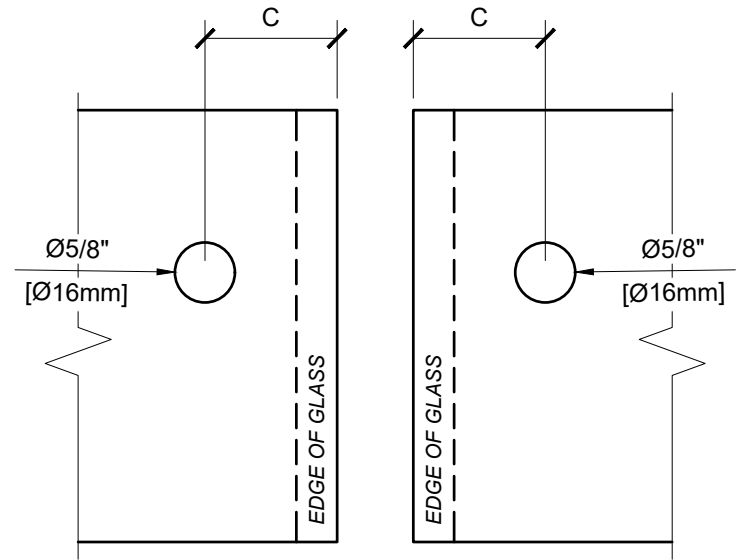


MITER GLASS CUTOUT

GLASS	5/16" [8mm]	3/8" [10mm]
A	1 1/4" [32mm]	1 3/16" [30mm]
B	1 5/8" [41mm]	1 5/8" [41mm]
C	1 9/16" [40mm]	1 9/16" [40mm]



GLASS CUTOUT



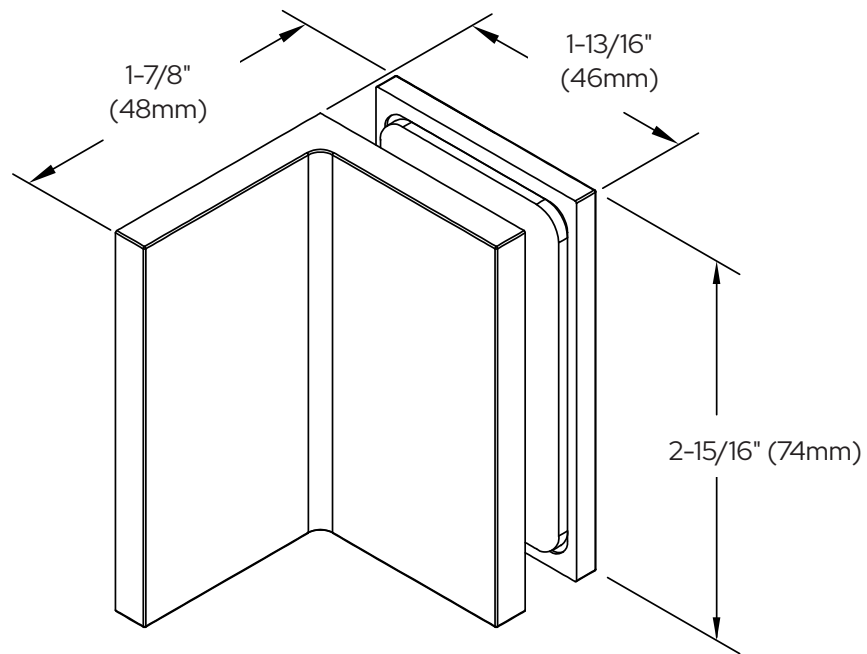
GLASS CUTOUT

## BELLAGIO

Glass-to-Glass Bracket  
CAT. NO. BEL090



**\* SEE TEMPLATE ON BACK \***  
Refer to Dimensions Shown  
to Ensure Accuracy



**Specifications:**

Material:	Solid brass
Glass Thickness Range:	5/16" (8mm) to 3/8" (10mm)
Hole Size Required:	5/8" (16mm)
Includes:	Mounting, screws and gaskets

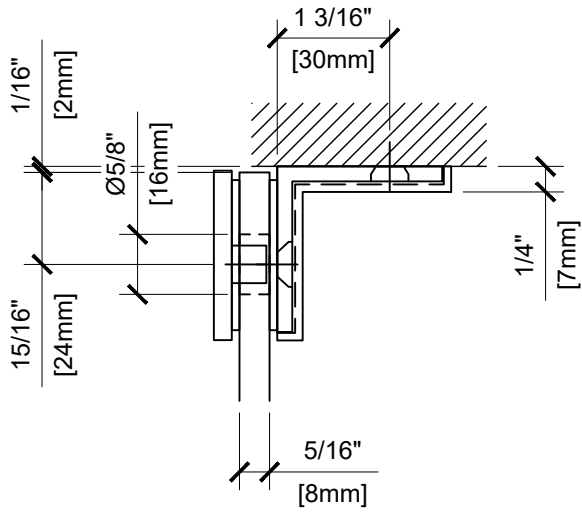
**BELLAGIO**

Wall Mount Bracket

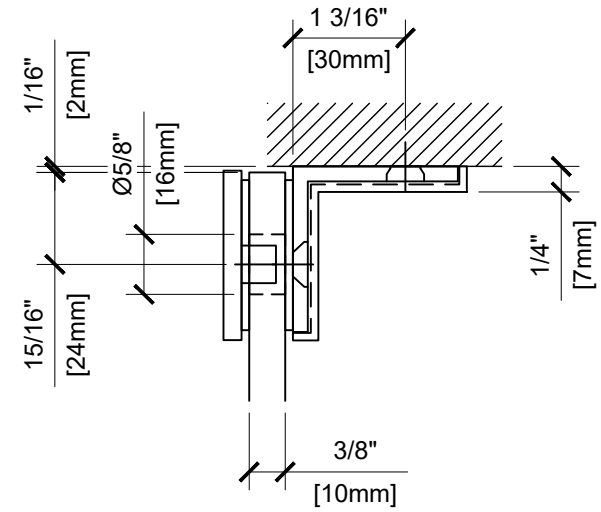
CAT. NO. BEL90S

For Technical Assistance in the United States and Canada 1.800.421.6144. Press 2, then option 1

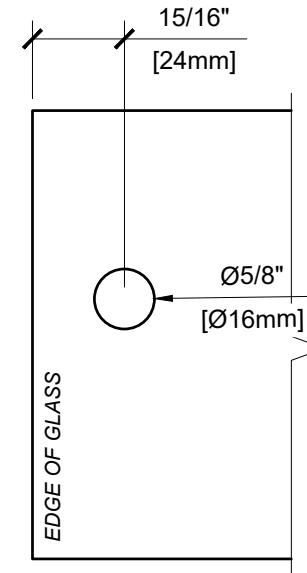
C.R. Laurence Co., Inc. • 2503 E. Vernon Ave., Los Angeles, CA 90058 • 1.800.421.6144 • [crlaurence.com](http://crlaurence.com)



WALL BRACKET (5/16" GLASS)



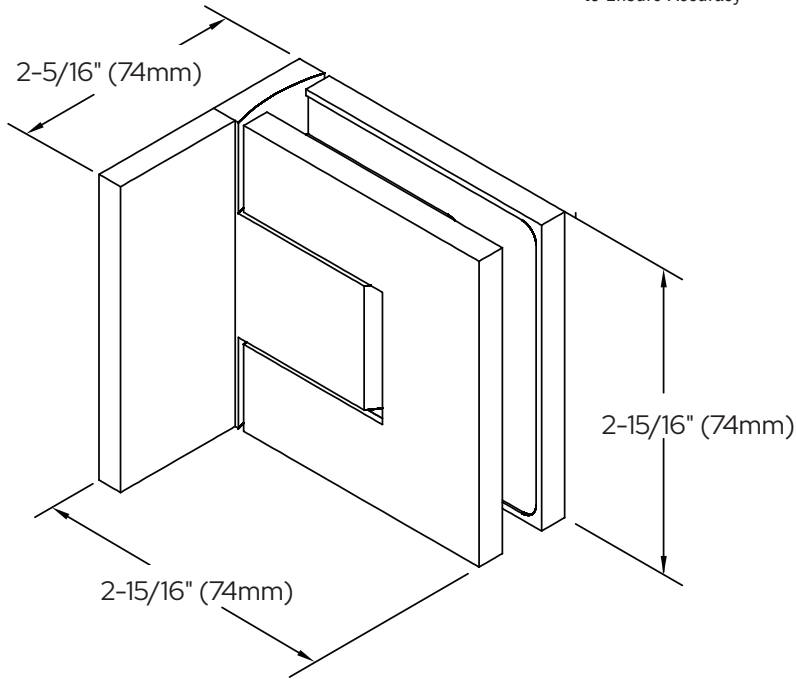
WALL BRACKET (3/8" GLASS)



GLASS CUTOUT

**BELLAGIO**  
Wall Mount Bracket  
CAT. NO. BEL90S

**\* SEE TEMPLATE ON BACK \***  
Refer to Dimensions Shown  
to Ensure Accuracy



## BELLAGIO

Wall Mount Offset Backplate Hinge

CAT. NO. BEL344

### Important Information:

1). This is a double acting self-centering hinge and it adjusts to accommodate a desired door angle up to 90°, after the door is installed. This is achieved by loosening the two Allen set screws (located in the center block), moving the door to the desired position, and then tightening the set screws. The self-centering position has now been changed to the angle you desire.

### Specifications:

Glass Sizes:	5/16" (8mm) to 3/8" (10mm) thick tempered safety glass
Construction:	Solid brass
Closing Type:	Self-centering when within 25° of closed position
Cutout Required	
Includes:	Gaskets, screws and template

### Maximum Door Capacities

### Two Hinges

Maximum Door Weight:	110 lbs.(50 kg)
Maximum Door Width:	39-3/8"(1000mm)

### Use of Gaskets:

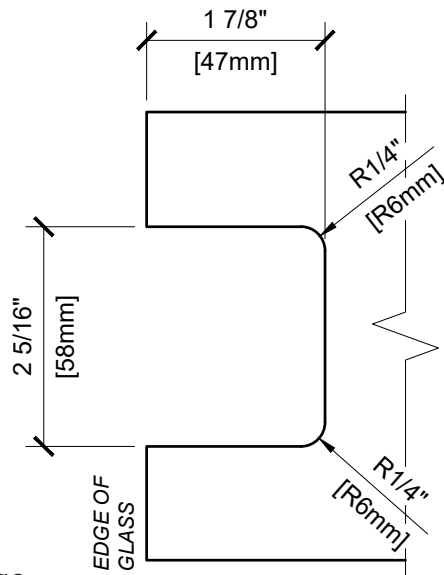
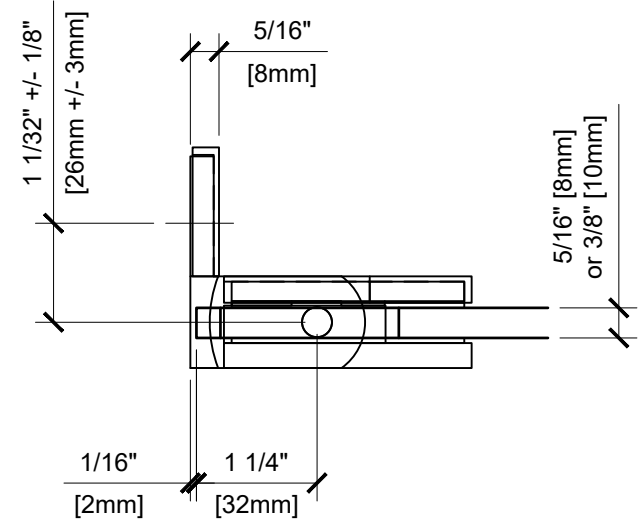
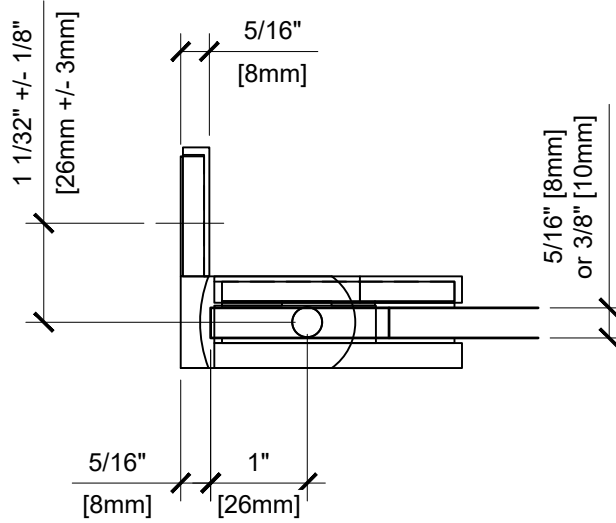
For 5/16"(8mm) Glass: Use one thick gasket on each side  
For 3/8"(10mm) Glass: Use one thin gasket on each side

### Recommendations:

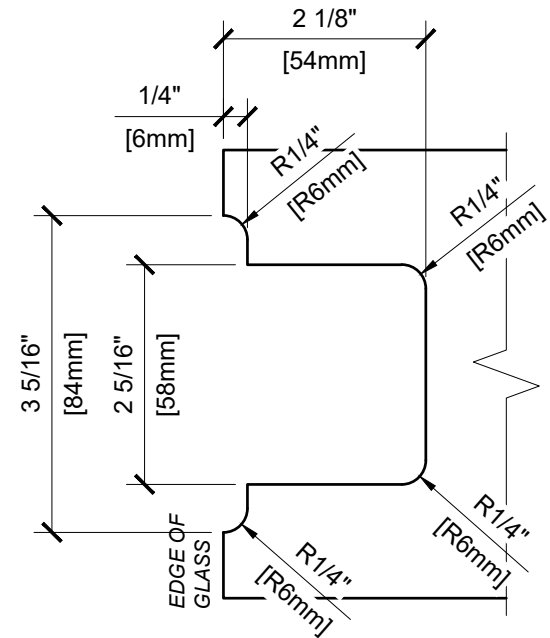
For public safety, we recommend the use of only tempered safety glass. Do not use power tools when installing these hinges.

### Maintenance Guidelines:

- Never use an abrasive cleaner on the hardware. Many of the components are coated with a clear lacquer that will be irreparably damaged if subjected to harsh, abrasive chemicals. Advise your customer that drying the hardware with a clean, soft towel on a daily basis is the best way to maintain the hardware. If mineral deposits build-up, mix a couple of drops of a mild liquid soap (such as Ivory or a similar product) into a cup of warm water. Using a soft, non-abrasive cloth, clean the hardware. Rinse thoroughly with clean, warm water and dry.



STANDARD GLASS CUTOUT



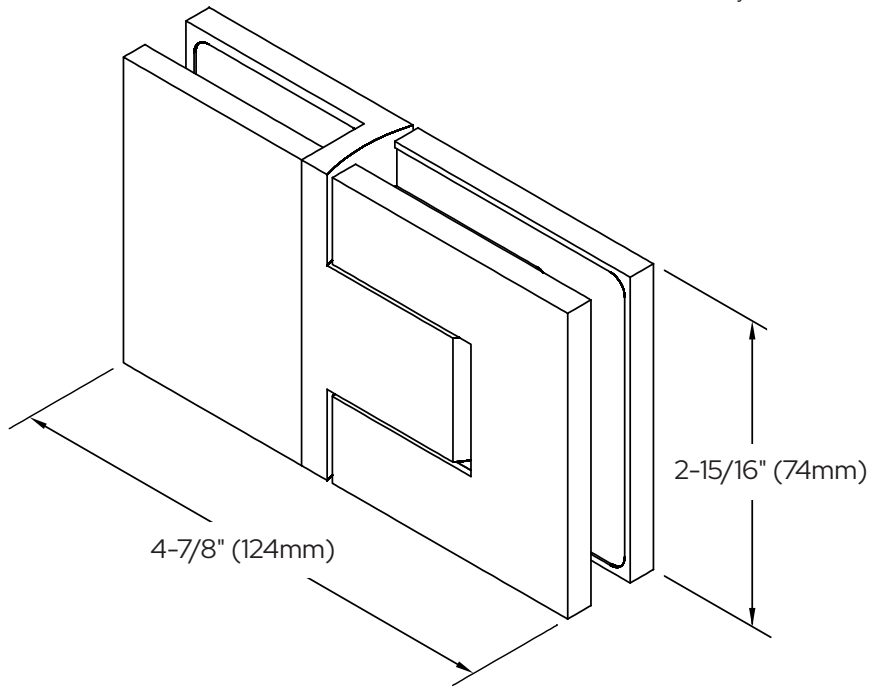
TIGHT CLEARANCE GLASS CUTOUT

## BELLAGIO

Wall Mount Offset Backplate Hinge

CAT. NO. BEL344

**\* SEE TEMPLATE ON BACK \***  
Refer to Dimensions Shown  
to Ensure Accuracy



## BELLAGIO

Glass-to-Glass 180° Hinge

CAT. NO. BEL380

### Important Information:

1). This is a double acting self-centering hinge and it adjusts to accommodate a desired door angle up to 90°, after the door is installed. This is achieved by loosening the two Allen set screws (located in the center block), moving the door to the desired position, and then tightening the set screws. The self-centering position has now been changed to the angle you desire.

### Specifications:

Glass Sizes: 5/16" (8mm) to 3/8" (10mm) thick tempered safety glass  
Construction: Solid brass  
Closing Type: Self-centering when within 25° of closed position  
Cutout Required  
Includes: Gaskets, screws and template

### Maximum Door Capacities

### Two Hinges

Maximum Door Weight: 110 lbs. (50 kg)  
Maximum Door Width: 39" (1000mm)

### Use of Gaskets:

For 5/16" (8mm) Glass: Use one thick gasket on each side  
For 3/8" (10mm) Glass: Use one thin gasket on each side

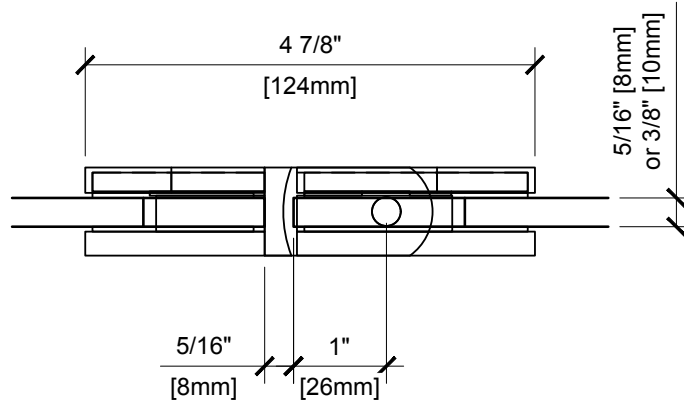
### Recommendations:

For public safety, we recommend the use of only tempered safety glass. Do not use power tools when installing these hinges.

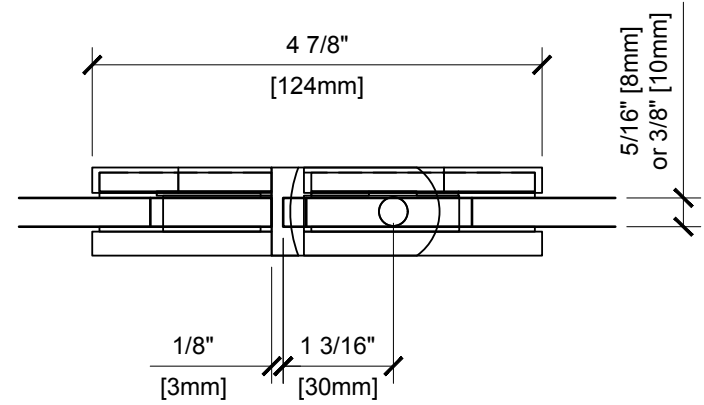
### Maintenance Guidelines:

- Never use an abrasive cleaner on the hardware. Many of the components are coated with a clear lacquer that will be irreparably damaged if subjected to harsh, abrasive chemicals. Advise your customer that drying the hardware with a clean, soft towel on a daily basis is the best way to maintain the hardware. If mineral deposits build-up, mix a couple of drops of a mild liquid soap (such as Ivory or a similar product) into a cup of warm water. Using a soft, non-abrasive cloth, clean the hardware. Rinse thoroughly with clean, warm water and dry.

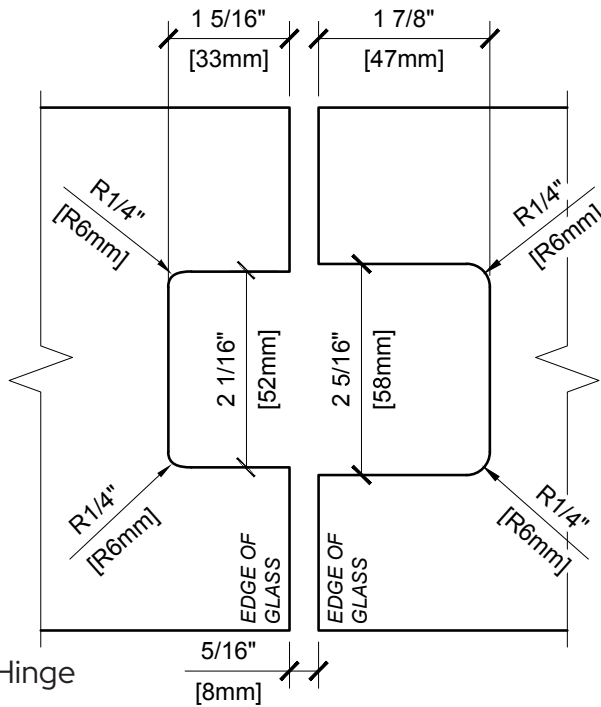




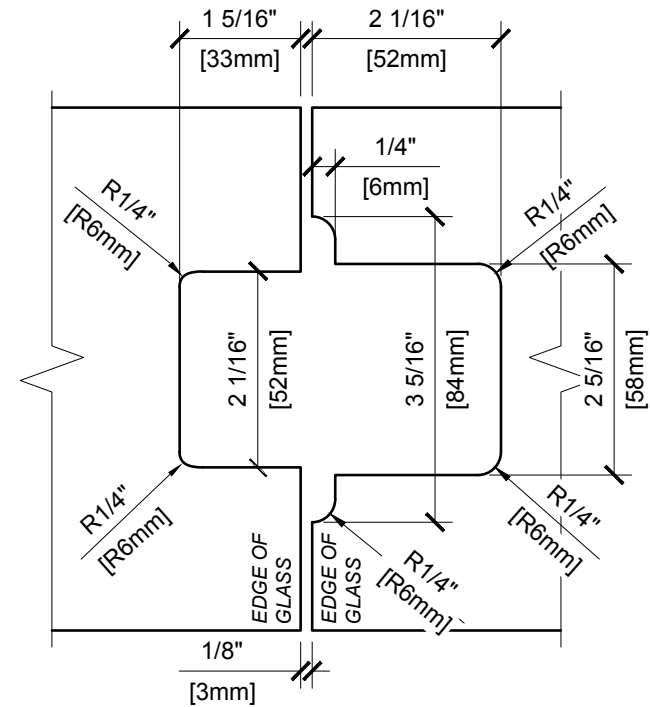
TYP. GLASS CUTOUT



TIGHT CLEARANCE GLASS CUTOUT



STANDARD GLASS CUTOUT

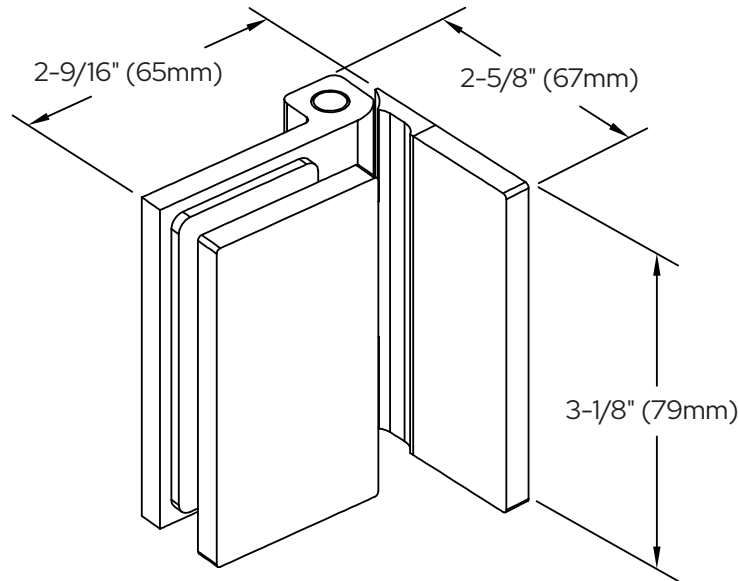


TIGHT CLEARANCE GLASS CUTOUT

## BELLAGIO

Glass-to-Glass 180° Hinge  
CAT. NO. BEL380

**\* SEE TEMPLATE ON BACK \***  
Refer to Dimensions Shown  
to Ensure Accuracy



**COMO**  
Wall Mount Offset Backplate Hinge  
CAT. NO. COM044

**Important Information:**

1). This is a one-direction hinge and is designed for an outswing application only. A door strike is required so the door isn't allowed to swing inward and damage the door glass.

**Specifications:**

Glass Sizes:	5/16" (8mm) to 3/8" (10mm) thick tempered safety glass
Construction:	Solid brass
Cutout Required	
Includes:	Gaskets, screws and template

**Maximum Door Capacities      Two Hinges**

Maximum Door Weight:	110 lbs. (50 kg)
Maximum Door Width:	39" (1000mm)

**Use of Gaskets:**

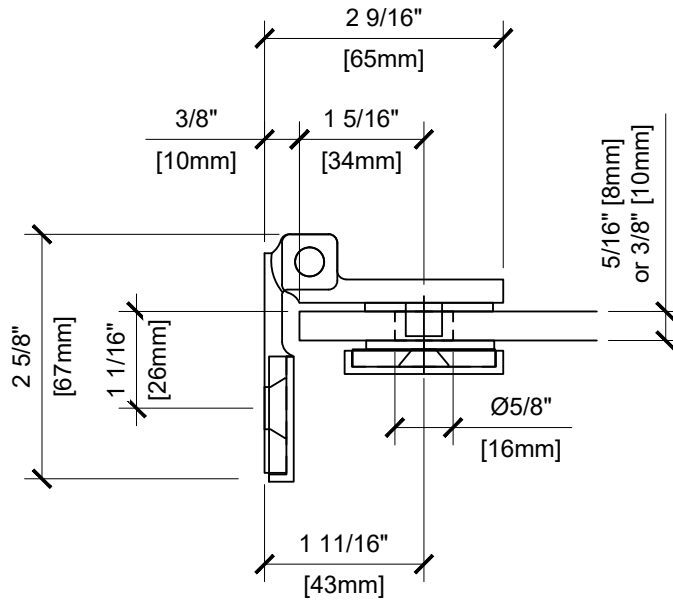
For 5/16" (8mm) Glass: Use one thick gasket on each side  
For 3/8" (10mm) Glass: Use one thin gasket on each side

**Recommendations:**

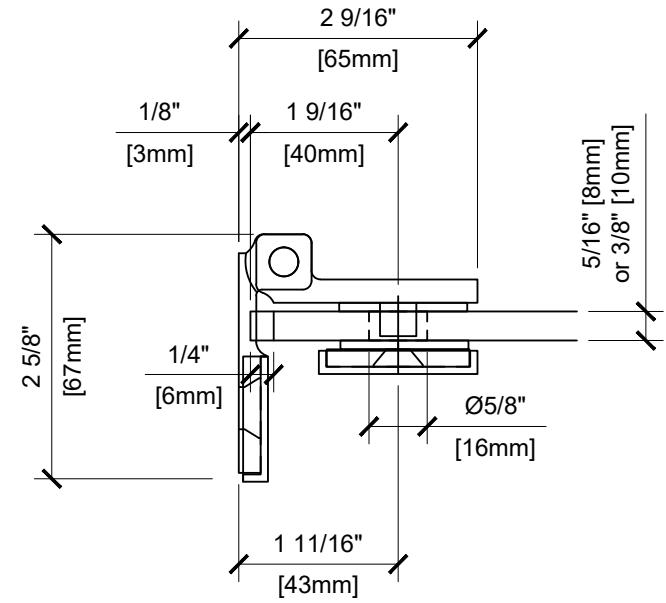
For public safety, we recommend the use of only tempered safety glass. Do not use power tools when installing these hinges.

**Maintenance Guidelines:**

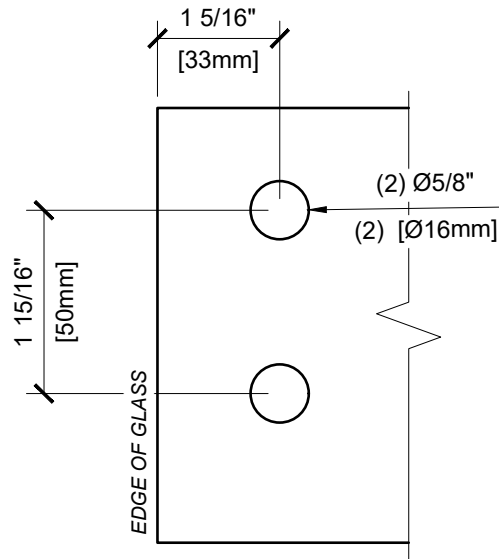
- Never use an abrasive cleaner on the hardware. Many of the components are coated with a clear lacquer that will be irreparably damaged if subjected to harsh, abrasive chemicals. Advise your customer that drying the hardware with a clean, soft towel on a daily basis is the best way to maintain the hardware. If mineral deposits build-up, mix a couple of drops of a mild liquid soap (such as Ivory or a similar product) into a cup of warm water. Using a soft, non-abrasive cloth, clean the hardware. Rinse thoroughly with clean, warm water and dry.



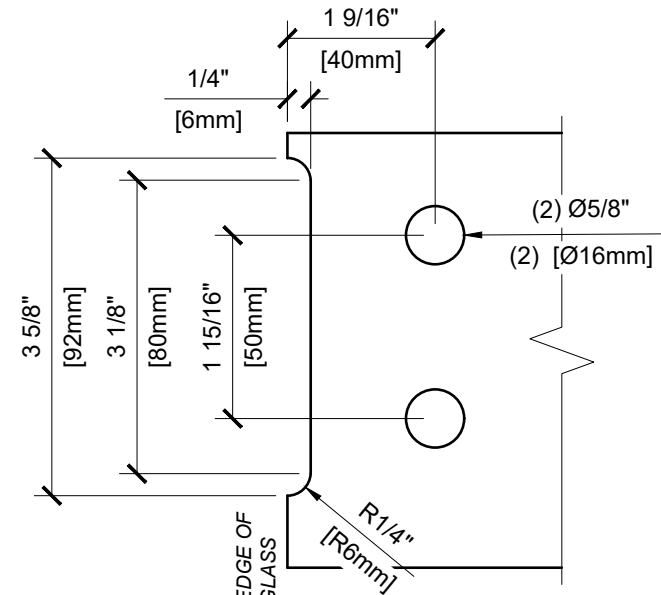
TYP. GLASS CUTOUT



TIGHT CLEARANCE GLASS CUTOUT



GLASS CUTOUT

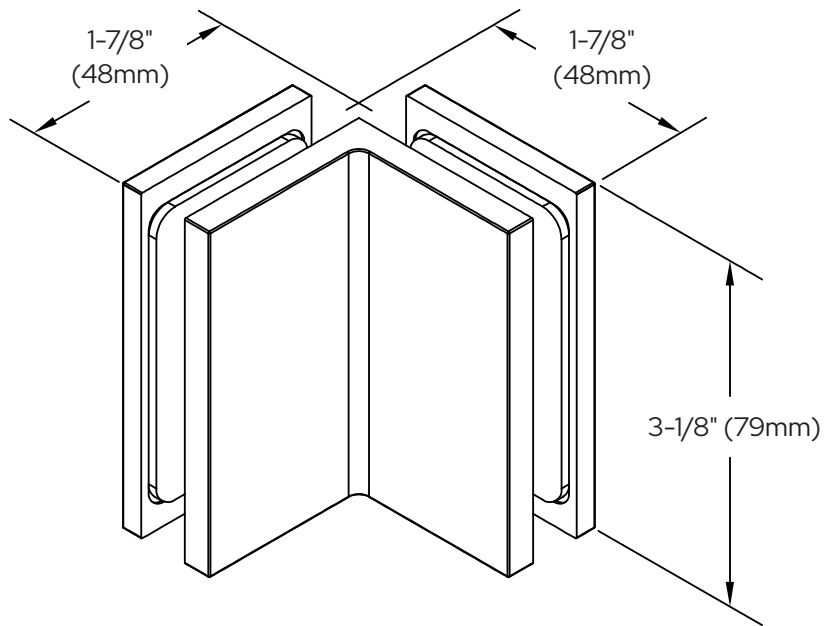


GLASS CUTOUT

**COMO**  
Wall Mount Offset Backplate Hinge  
CAT. NO. COMO44



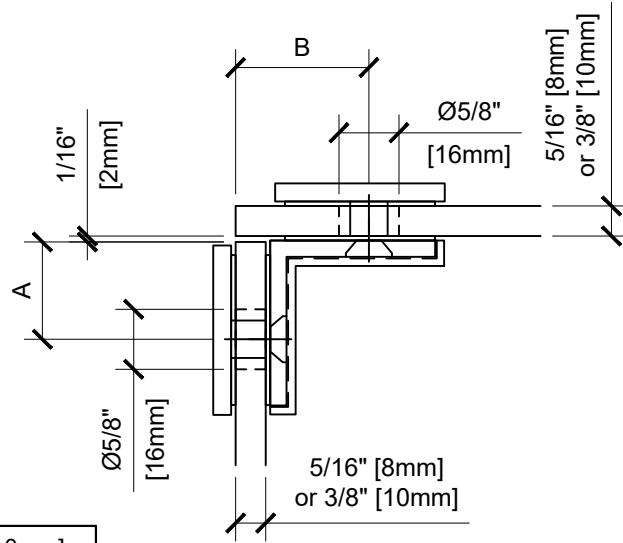
**\* SEE TEMPLATE ON BACK \***  
Refer to Dimensions Shown  
to Ensure Accuracy



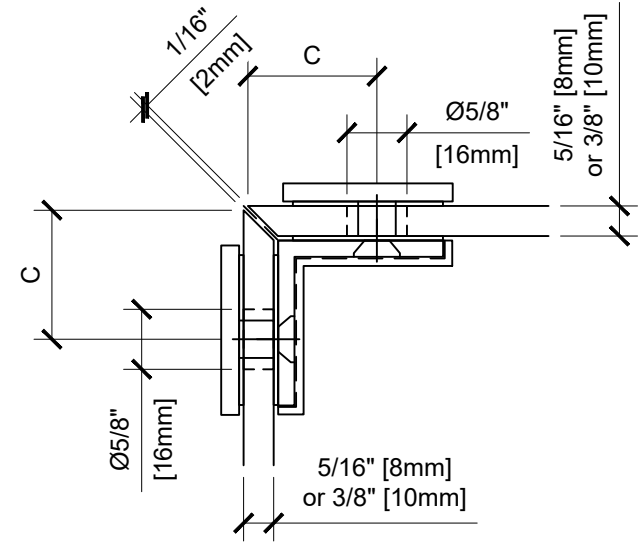
**Specifications:**

Material:	Solid brass
Glass Thickness Range:	5/16" (8mm) to 3/8" (10mm)
Hole Size Required:	5/8" (16mm)
Includes:	Mounting, screws and gaskets

**COMO**  
90° Glass-to-Glass Bracket  
CAT. NO. COM090

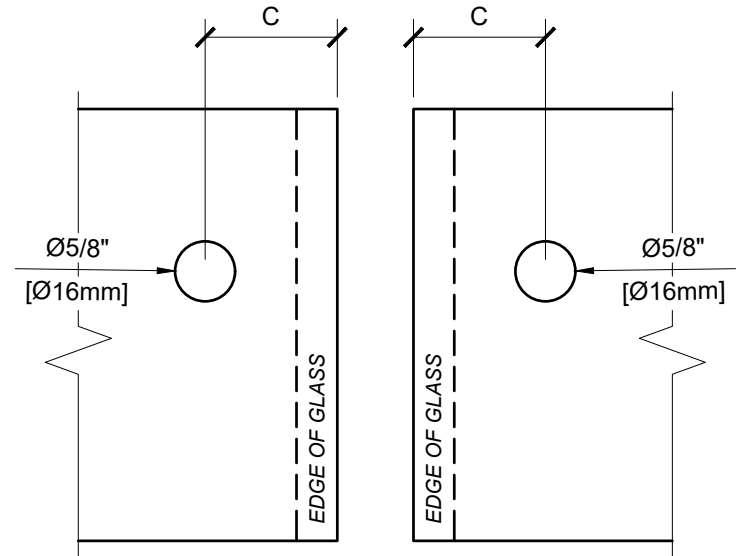
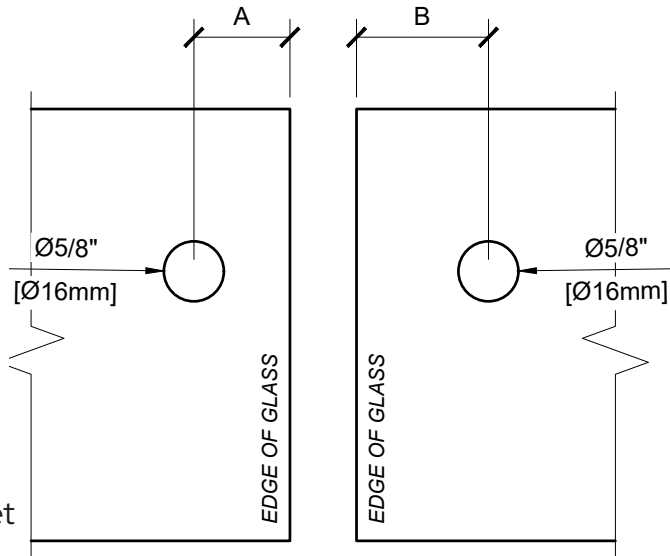


OVERLAP GLASS CUTOUT



MITER GLASS CUTOUT

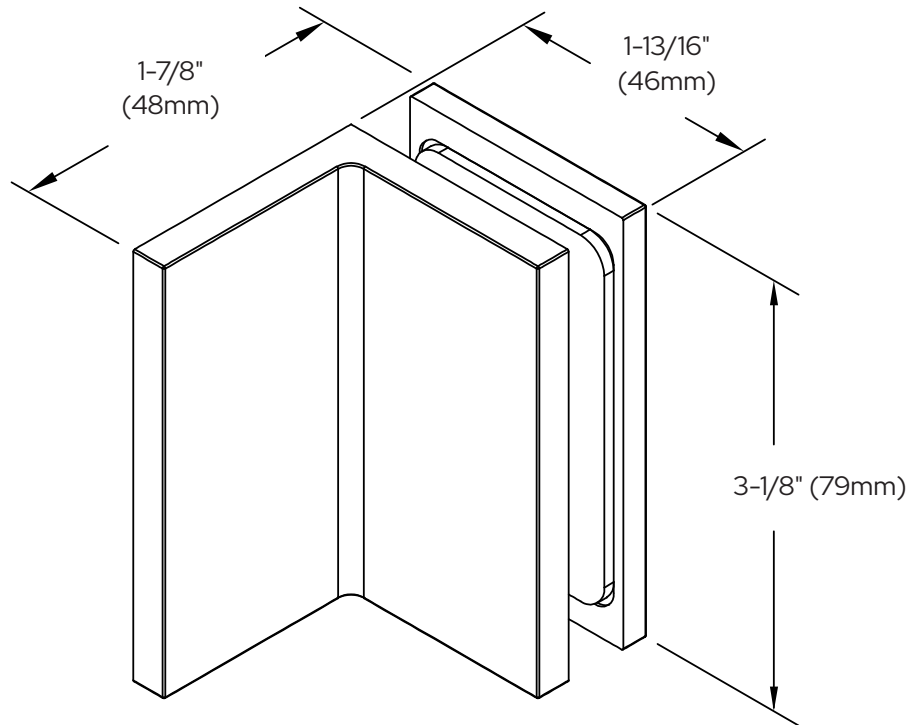
GLASS	5/16" [8mm]	3/8" [10mm]
A	1 1/16" [27mm]	1 1/16" [27mm]
B	1 7/16" [36mm]	1 1/2" [38mm]
C	1 3/8" [35mm]	1 7/16" [37mm]



**COMO**  
90° Glass-to-Glass Bracket  
CAT. NO. COM090



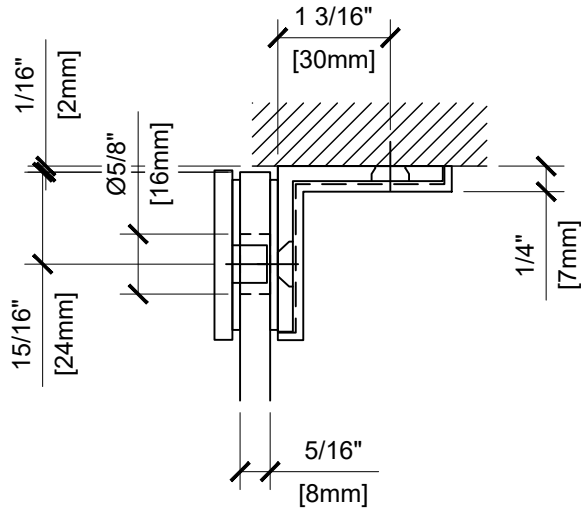
**\* SEE TEMPLATE ON BACK \***  
Refer to Dimensions Shown  
to Ensure Accuracy



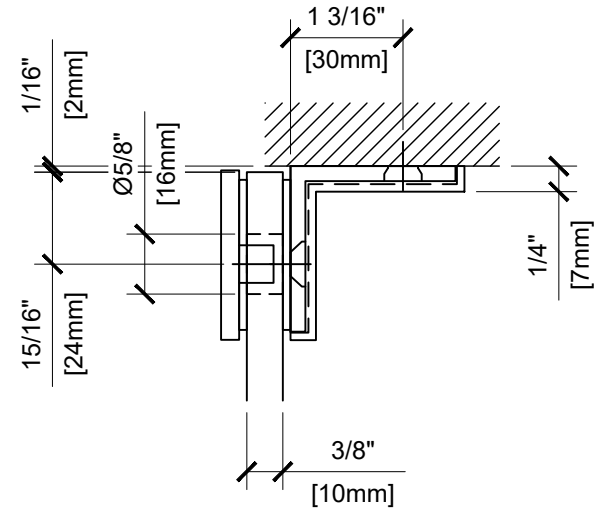
**Specifications:**

Material:	Solid brass
Glass Thickness Range:	5/16" (8mm) to 3/8" (10mm)
Hole Size Required:	5/8" (16mm)
Includes:	Mounting, screws and gaskets

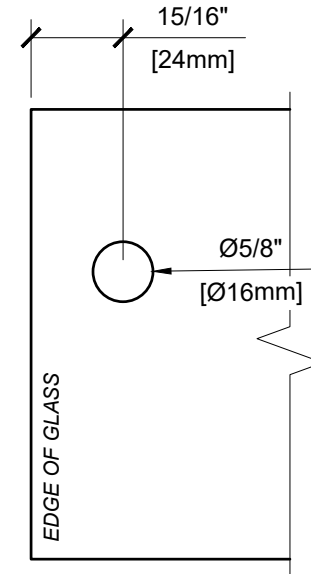
**COMO**  
Wall Mount Bracket  
CAT. NO. COM90S



WALL BRACKET (5/16" GLASS)



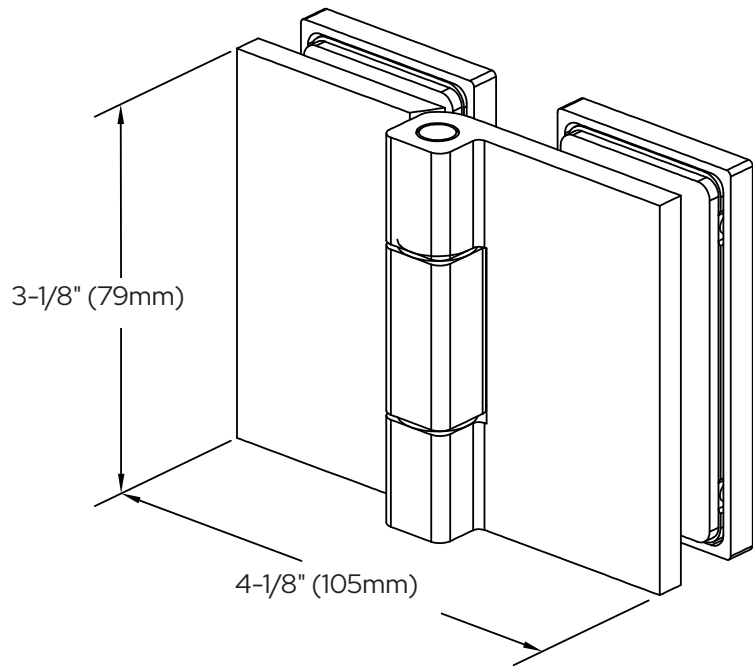
WALL BRACKET (3/8" GLASS)



GLASS CUTOUT

**COMO**  
Wall Mount Bracket  
CAT. NO. COM90S

**\* SEE TEMPLATE ON BACK \***  
Refer to Dimensions Shown  
to Ensure Accuracy



## COMO

Glass-to-Glass 180° Hinge

CAT. NO. COM180

**\*NOTE:** Do not exceed either maximum weight or width when choosing proper quantity of hinges.

### Important Information:

1). This is a one-direction hinge and is designed for an outswing application only. A door strike is required so the door isn't allowed to swing inward and damage the door glass.

### Specifications:

Glass Sizes: 5/16" (8mm) to 3/8" (10mm) thick tempered safety glass  
Construction: Solid brass  
Cutout Required  
Includes: Gaskets, screws and template

### Maximum Door Capacities

### Two Hinges

Maximum Door Weight: 110 lbs. (50 kg)  
Maximum Door Width: 39" (1000mm)

### Use of Gaskets:

For 5/16" (8mm) Glass: Use one thick gasket on each side  
For 3/8" (10mm) Glass: Use one thin gasket on each side

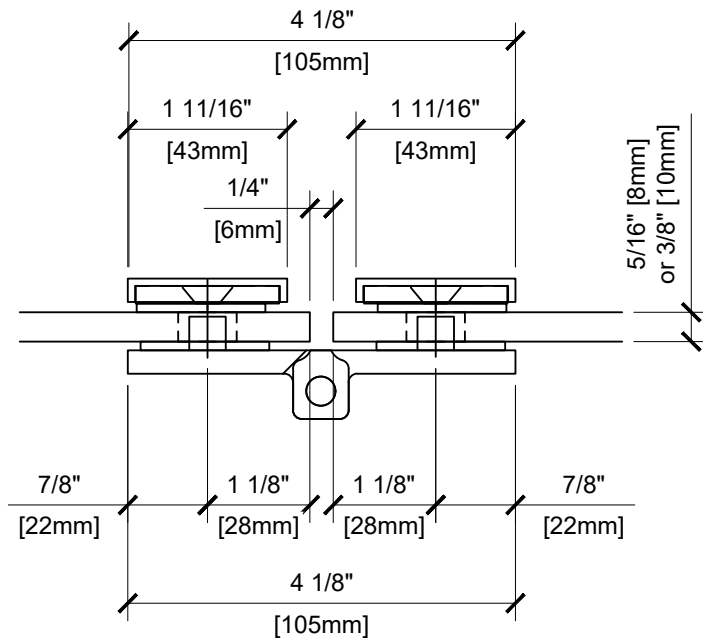
### Recommendations:

For public safety, we recommend the use of only tempered safety glass. Do not use power tools when installing these hinges.

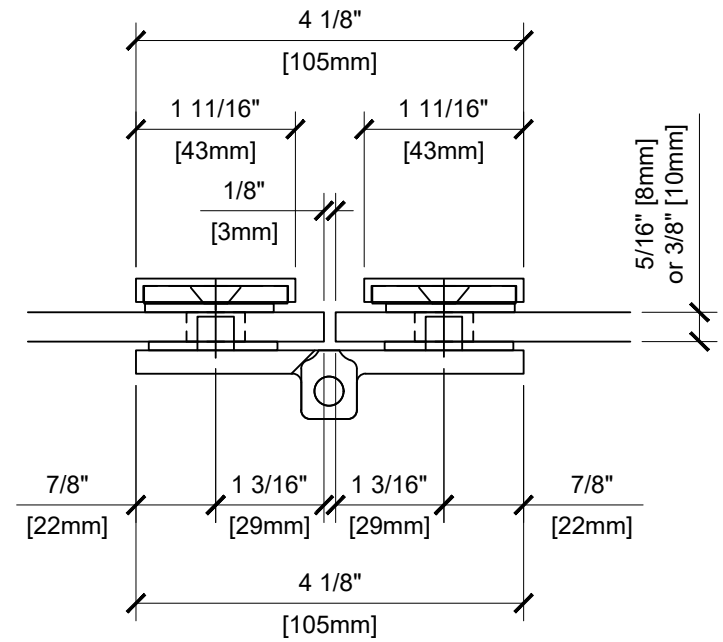
### Maintenance Guidelines:

- Never use an abrasive cleaner on the hardware. Many of the components are coated with a clear lacquer that will be irreparably damaged if subjected to harsh, abrasive chemicals. Advise your customer that drying the hardware with a clean, soft towel on a daily basis is the best way to maintain the hardware. If mineral deposits build-up, mix a couple of drops of a mild liquid soap (such as Ivory or a similar product) into a cup of warm water. Using a soft, non-abrasive cloth, clean the hardware. Rinse thoroughly with clean, warm water and dry.

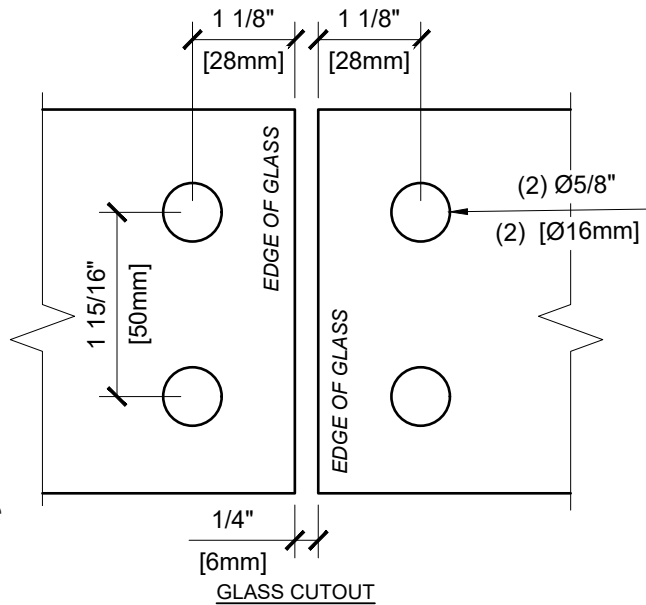




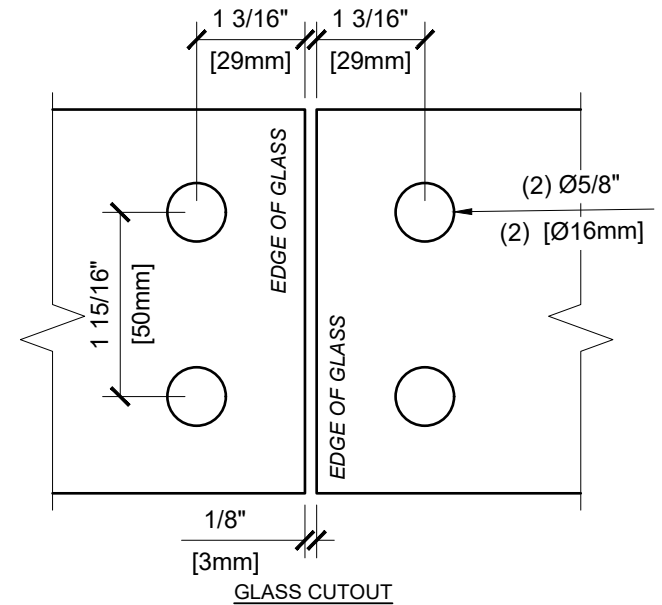
TYP. GLASS CUTOUT



TIGHT CLEARANCE GLASS CUTOUT



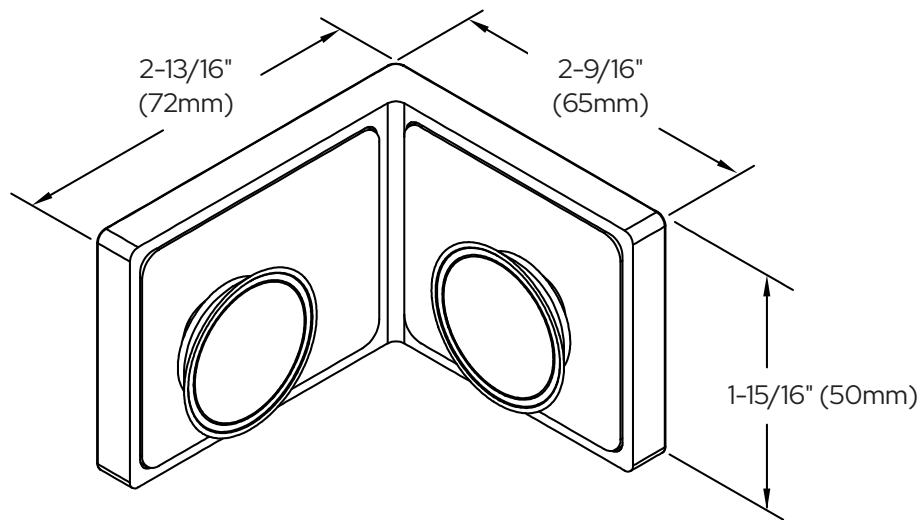
GLASS CUTOUT



GLASS CUTOUT

**COMO**  
Glass-to-Glass 180° Hinge  
CAT. NO. COM180

**\* SEE TEMPLATE ON BACK \***  
Refer to Dimensions Shown  
to Ensure Accuracy



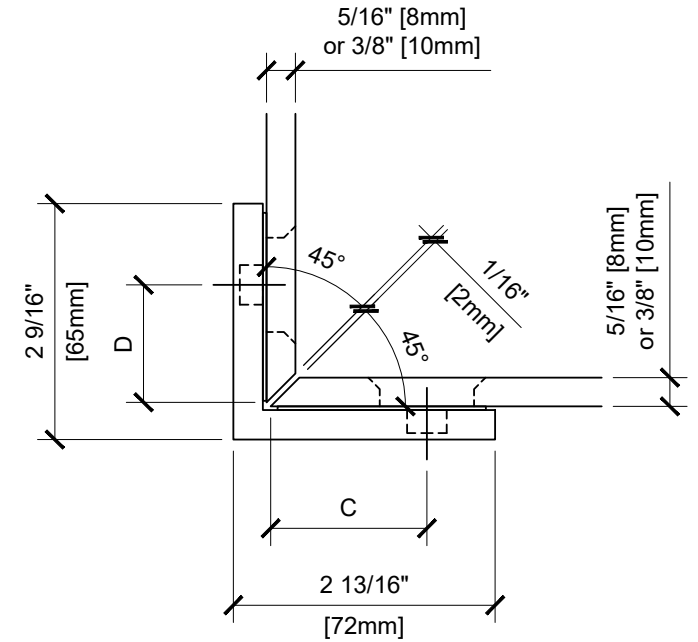
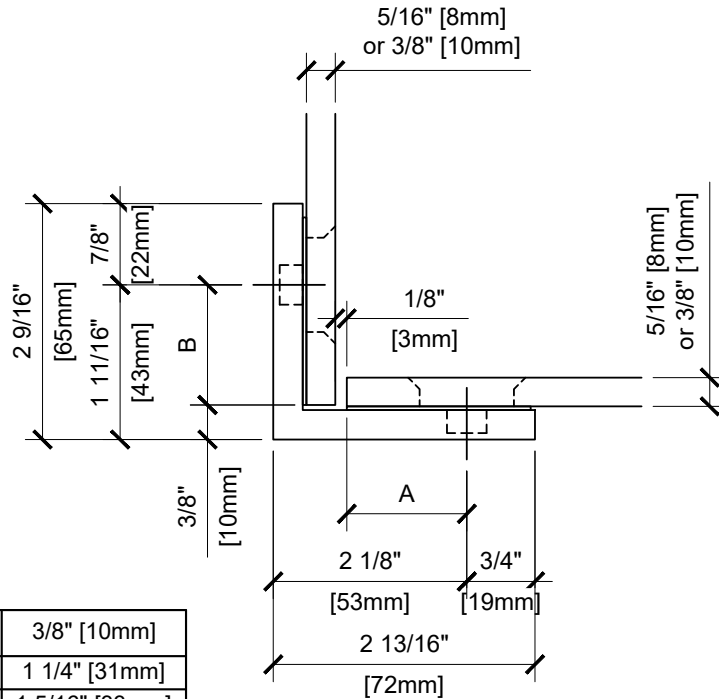
### Specifications:

Material:	Solid brass
Glass Thickness Range:	$5/16"$ (8mm) to $3/8"$ (10mm)
Hole Size Required:	Contersunk Holes
Includes:	Mounting, screws and gaskets

## LUGANO

90° Glass-to-Glass Bracket

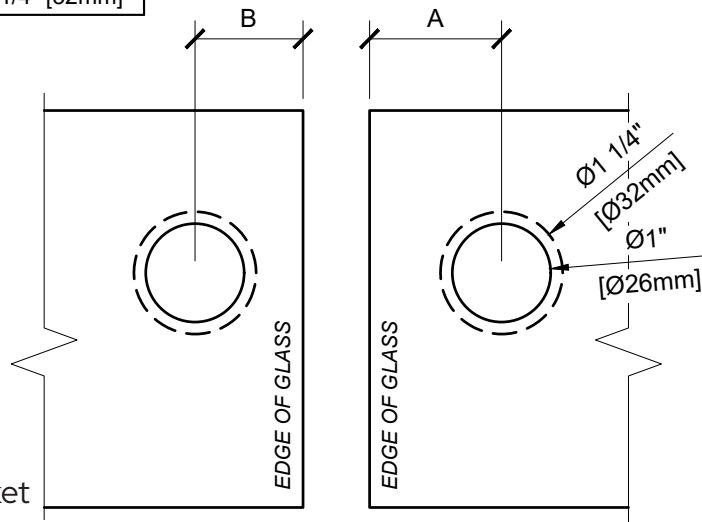
CAT. NO. LU090



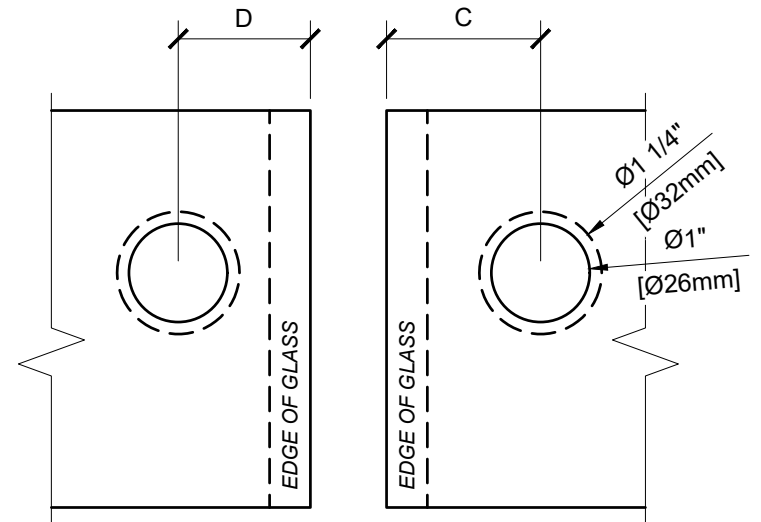
GLASS	5/16" [8mm]	3/8" [10mm]
A	1 5/16" [33mm]	1 1/4" [31mm]
B	1 5/16" [33mm]	1 5/16" [33mm]
C	1 11/16" [43mm]	1 11/16" [43mm]
D	1 1/4" [32mm]	1 1/4" [32mm]

OVERLAP GLASS CUTOUT

MITER GLASS CUTOUT



GLASS CUTOUT

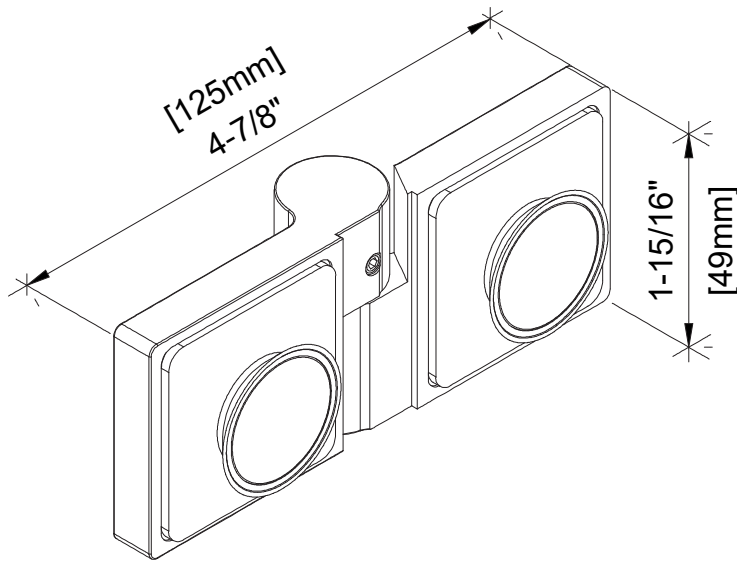


GLASS CUTOUT

## LUGANO

90° Glass-to-Glass Bracket  
CAT. NO. LU090

**\* SEE TEMPLATE ON BACK \***  
Refer to Dimensions Shown  
to Ensure Accuracy



## LUGANO

Glass-to-Glass 180° Hinge

CAT. NO. LUG180L/R

**\*NOTE:** Do not exceed either maximum weight or width when choosing proper quantity of hinges.

### Important Information:

- 1). This is a one-direction hinge and is designed for an outswing application only. A door strike is required so the door isn't allowed to swing inward and damage the door glass.
- 2). This hinge comes equipped with a self-centering rise and fall action.

### Specifications:

Glass Sizes:	5/16" (8mm) to 3/8" (10mm) thick tempered safety glass
Construction:	Solid brass
Closing Type:	Outswing only
Cutout Required:	Countersunk Holes
Includes:	Gaskets, screws and template

### Maximum Door Capacities

### Two Hinges

Maximum Door Weight:	99 lbs. (45 kg)
Maximum Door Width:	35" (889mm)

### Use of Gaskets:

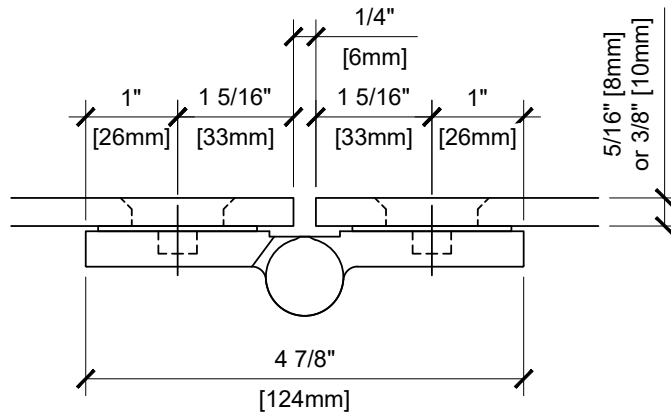
Gasket is intrgral part of Hinge, no matter the glass thickness.

### Recommendations:

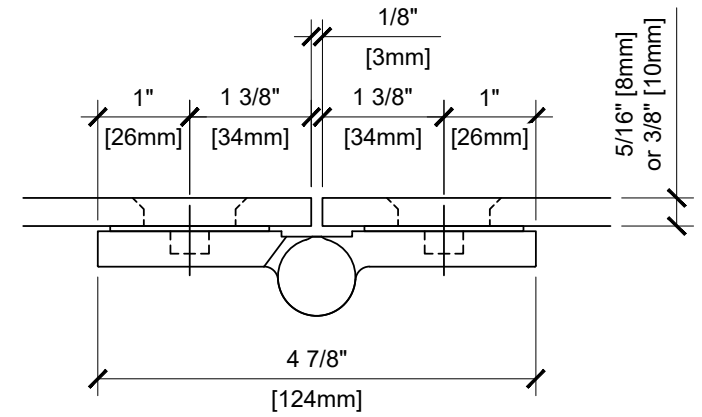
For public safety, we recommend the use of only tempered safety glass. Do not use power tools when installing these hinges.

### Maintenance Guidelines:

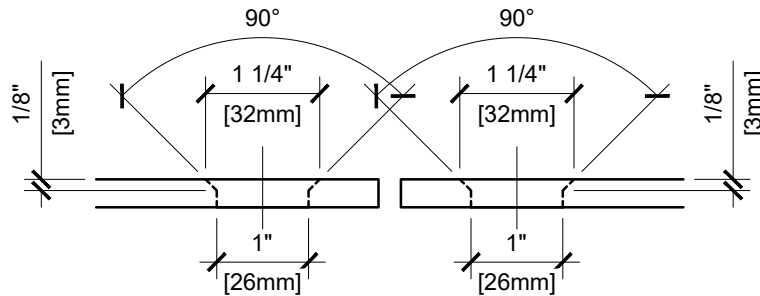
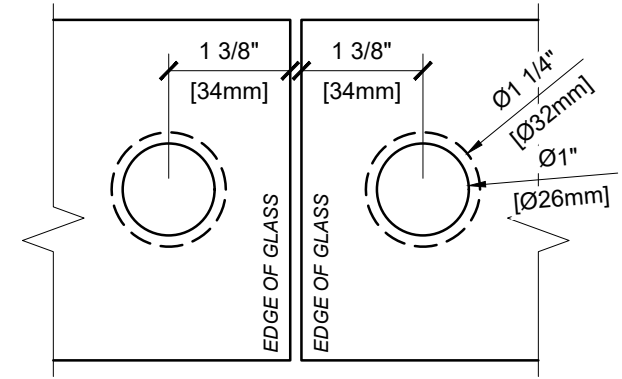
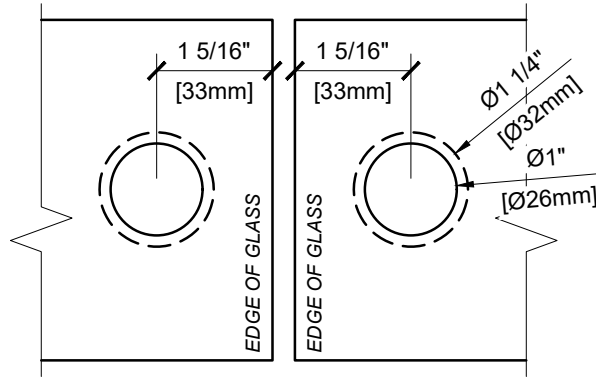
- Never use an abrasive cleaner on the hardware. Many of the components are coated with a clear lacquer that will be irreparably damaged if subjected to harsh, abrasive chemicals. Advise your customer that drying the hardware with a clean, soft towel on a daily basis is the best way to maintain the hardware. If mineral deposits build-up, mix a couple of drops of a mild liquid soap (such as Ivory or a similar product) into a cup of warm water. Using a soft, non-abrasive cloth, clean the hardware. Rinse thoroughly with clean, warm water and dry.



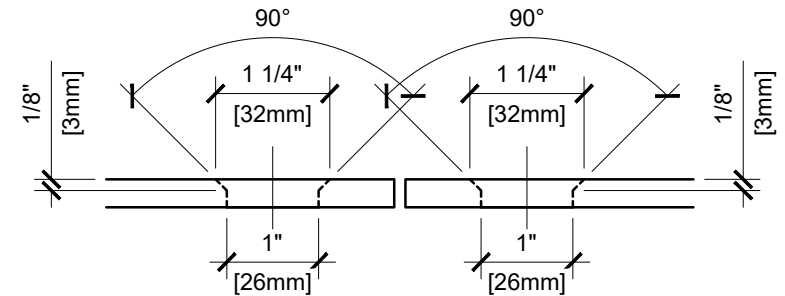
STANDARD GLASS CUTOUT



TIGHT CLEARANCE GLASS CUTOUT



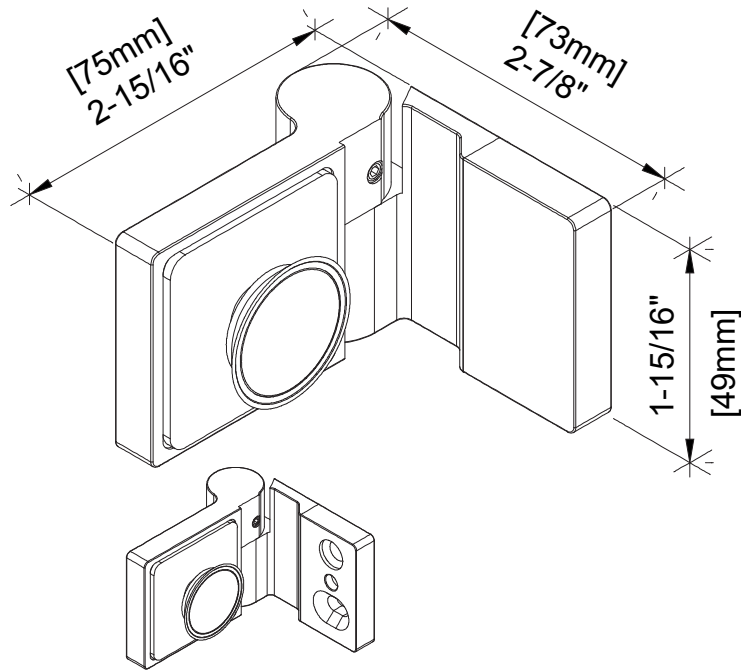
GLASS CUTOUT



GLASS CUTOUT

**LUGANO**  
Glass-to-Glass 180° Hinge  
CAT. NO. LUG180L/R

**\* SEE TEMPLATE ON BACK \***  
Refer to Dimensions Shown  
to Ensure Accuracy



## LUGANO

Wall Mount Outswing Hinge

CAT. NO. LUG044L/R

**\*NOTE:** Do not exceed either maximum weight or width when choosing proper quantity of hinges.

### Important Information:

- 1). This is a one-direction hinge and is designed for an outswing application only. A door strike is required so the door isn't allowed to swing inward and damage the door glass.
- 2). This hinge comes equipped with a self-centering rise and fall action.

### Specifications:

Glass Sizes:	5/16" (8mm) to 3/8" (10mm) thick tempered safety glass
Construction:	Solid brass
Closing Type:	Self-centering when within 60° of closed position
Cutout Required	
Includes:	Gaskets, screws and template

### Maximum Door Capacities

### Two Hinges

Maximum Door Weight:	99 lbs. (45 kg)
Maximum Door Width:	35-7/16" (889mm)

### Use of Gaskets:

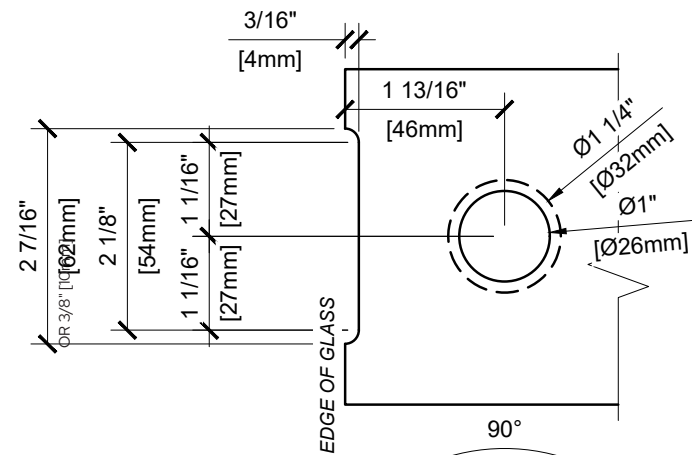
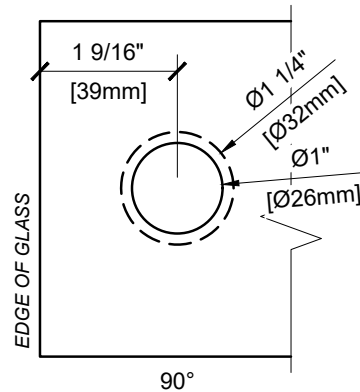
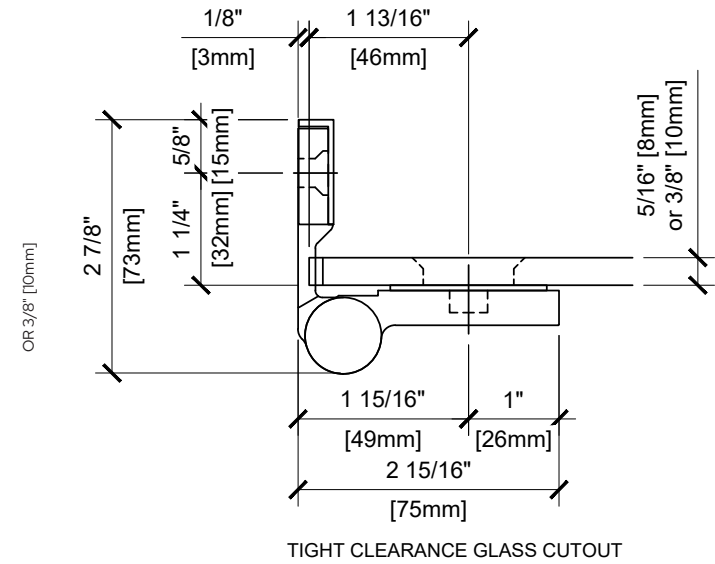
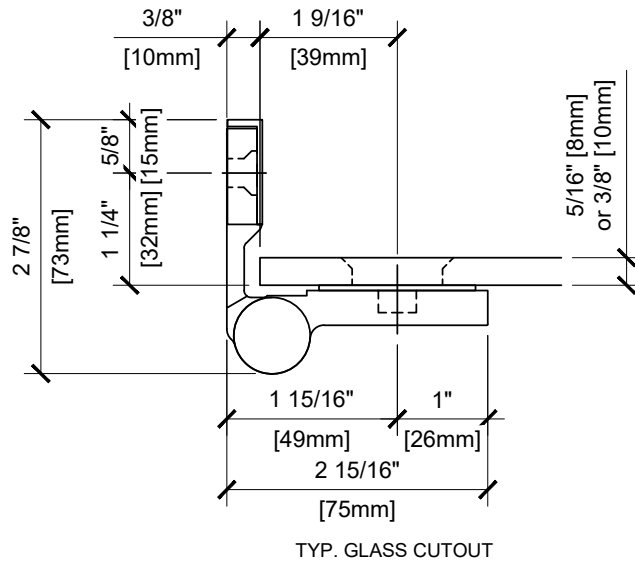
Gasket is intrgal part of Hinge, no matter the glass thickness.


### Recommendations:

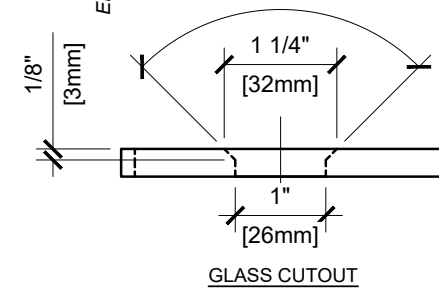
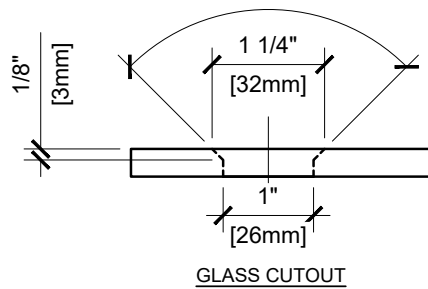
For public safety, we recommend the use of only tempered safety glass. Do not use power tools when installing these hinges.

### Maintenance Guidelines:

- Never use an abrasive cleaner on the hardware. Many of the components are coated with a clear lacquer that will be irreparably damaged if subjected to harsh, abrasive chemicals. Advise your customer that drying the hardware with a clean, soft towel on a daily basis is the best way to maintain the hardware. If mineral deposits build-up, mix a couple of drops of a mild liquid soap (such as Ivory or a similar product) into a cup of warm water. Using a soft, non-abrasive cloth, clean the hardware. Rinse thoroughly with clean, warm water and dry.

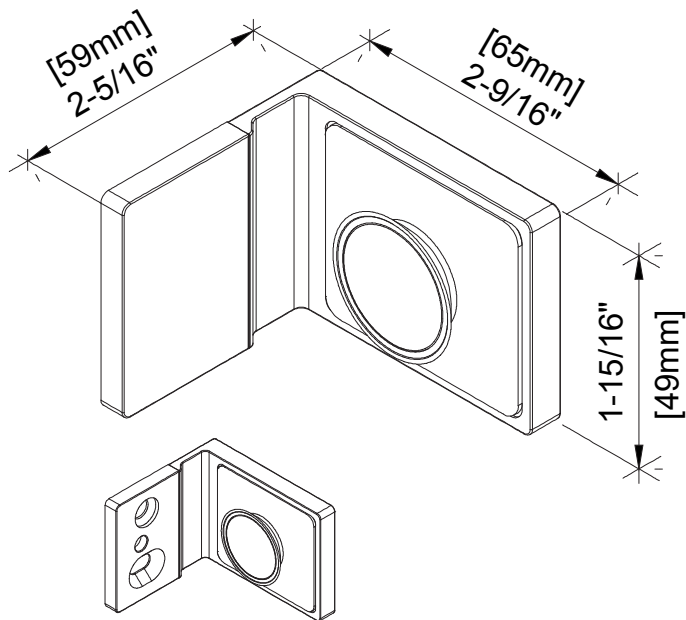


 ALWAYS USE DIMENSIONS TO ENSURE ACCURACY



**LUGANO**  
Wall Mount Outswing Hinge  
CAT. NO. LUG044L/R

**\* SEE TEMPLATE ON BACK \***  
Refer to Dimensions Shown  
to Ensure Accuracy



**Specifications:**

Material:

Solid brass

Glass Thickness Range:

5/16" (8mm) to 3/8" (10mm)

Hole Size Required:

Countersunk hole

Includes:

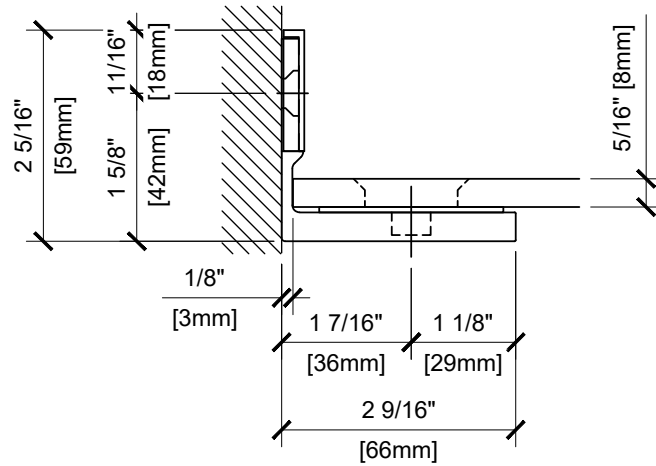
Mounting, screws and gaskets

## LUGANO

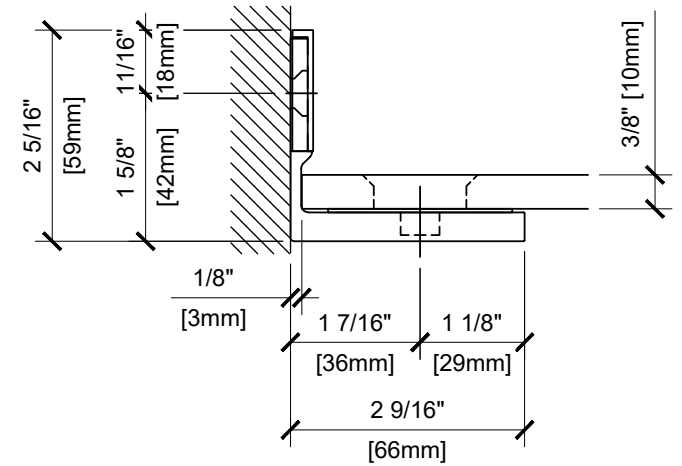
Wall Mount Bracket

CAT. NO. LU90S

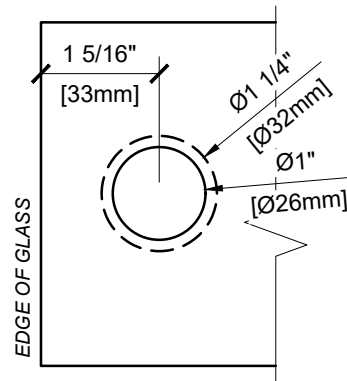




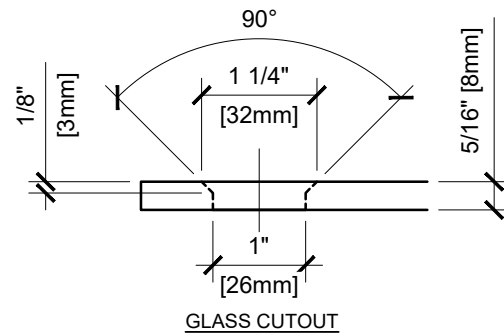
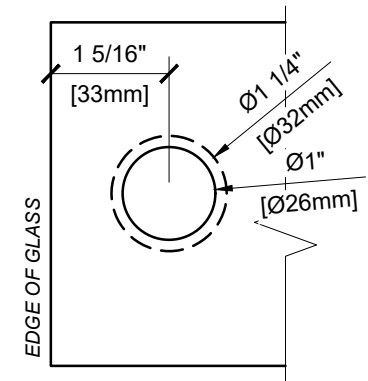
WALL BRACKET (5/16" GLASS)



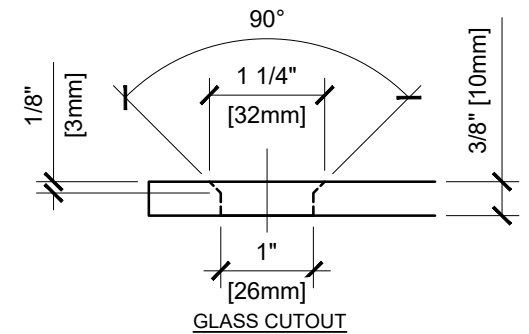
WALL BRACKET (3/8" GLASS)



OR 3/8" [10mm]



GLASS CUTOUT



GLASS CUTOUT

## LUGANO

Wall Mount Bracket  
CAT. NO. LU90S