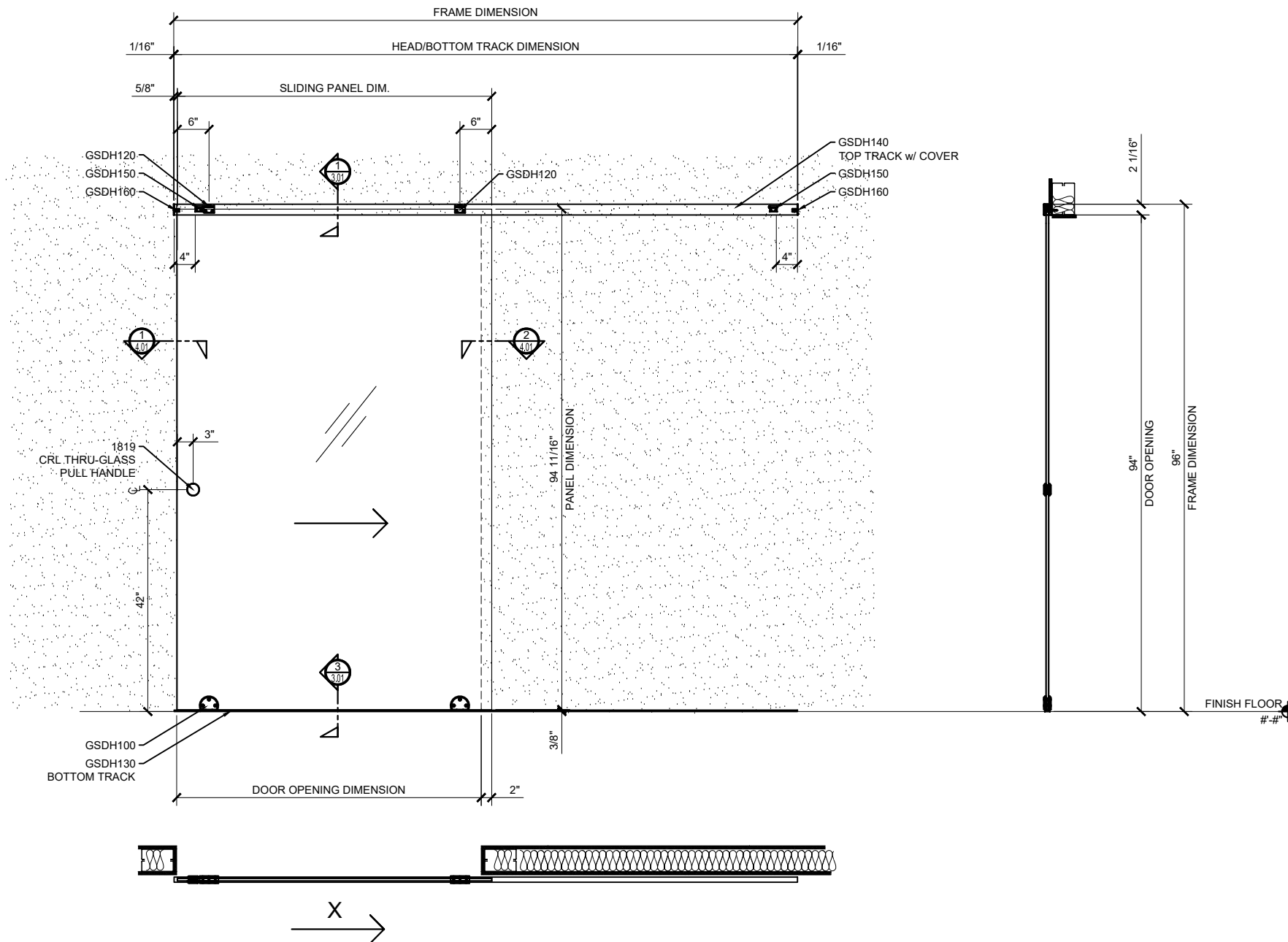


CRL GSDH1 SERIES SINGLE BOTTOM ROLLING DOOR

- * THE CRL GSDH1 SERIES SINGLE BOTTOM ROLLING DOOR KIT CONTAIN :
 1. ONE TOP GUIDE TRACK AT 118" (3 m) IN LENGTH AND TWO END CAPS
 2. TWO TOP ROLLER GUIDES AND TWO STOPS
 3. TWO BOTTOM ROLLERS
 4. ONE BOTTOM ROLLER TRACK AT 118" (3 m) IN LENGTH
- * DOOR HANDLE IS SOLD SEPARATELY BASED ON THE CUSTOMER'S REQUEST
- * AVAILABLE IN BRUSHED OR POLISHED STAINLESS STEEL
- * FOR USE WITH 5/16" TO 1/2" (8 mm TO 12 mm) TEMPERED GLASS
- * MAXIMUM DOOR WEIGHT : 286 POUNDS (130 KG)
- * MAXIMUM WIDTH : 60" (1.5 m)



① CRL GSDH1
 ARCH REF: NONE 1"=1'-0"

STRUCTURAL DISCLAIMER:

ALL CUSTOMERS WHO IN ANY WAY UTILIZE THIS PRODUCT ARE SOLELY RESPONSIBLE TO CONSULT A STRUCTURAL ENGINEER TO DETERMINE THE SUITABILITY OF THE PRODUCT FOR THE INTENDED USE AND SITE CONDITIONS. ALL INSTALLERS MUST BE QUALIFIED AND HAVE PROFESSIONAL KNOWLEDGE ABOUT COMPLIANCE WITH LOCAL, STATE AND FEDERAL REGULATIONS, SAFETY FACTORS, AND THE APPROPRIATE CHOICE OF FIXING MATERIAL AND PROCEDURE.

Revisions By:

CRL

2503 E. Vernon Avenue, Los Angeles, CA 90058-1897
 PH (800)-421-6144 FX: 800-587-7501 www.crlaurence.com

Description:
 CRL GSDH1 SERIES
 SINGLE BOTTOM
 ROLLING DOOR
 FOR 5/16" TO 1/2" GLASS

Drawn By: S

Date: 10.16.19

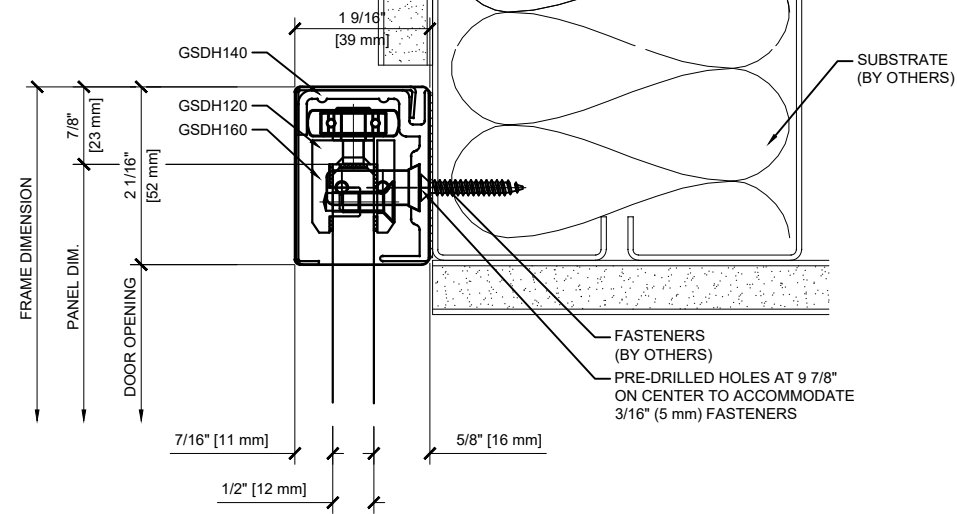
Scale: AS NOTED

File Name:

SYS904568

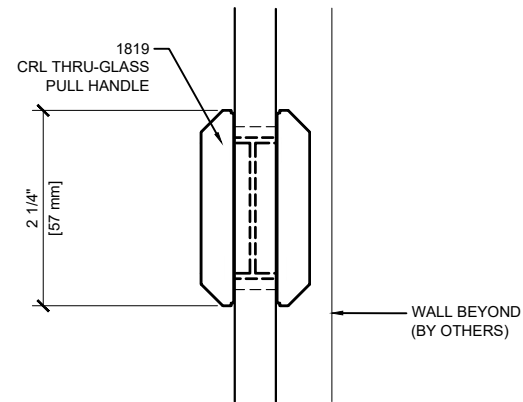
Sheet

2.01



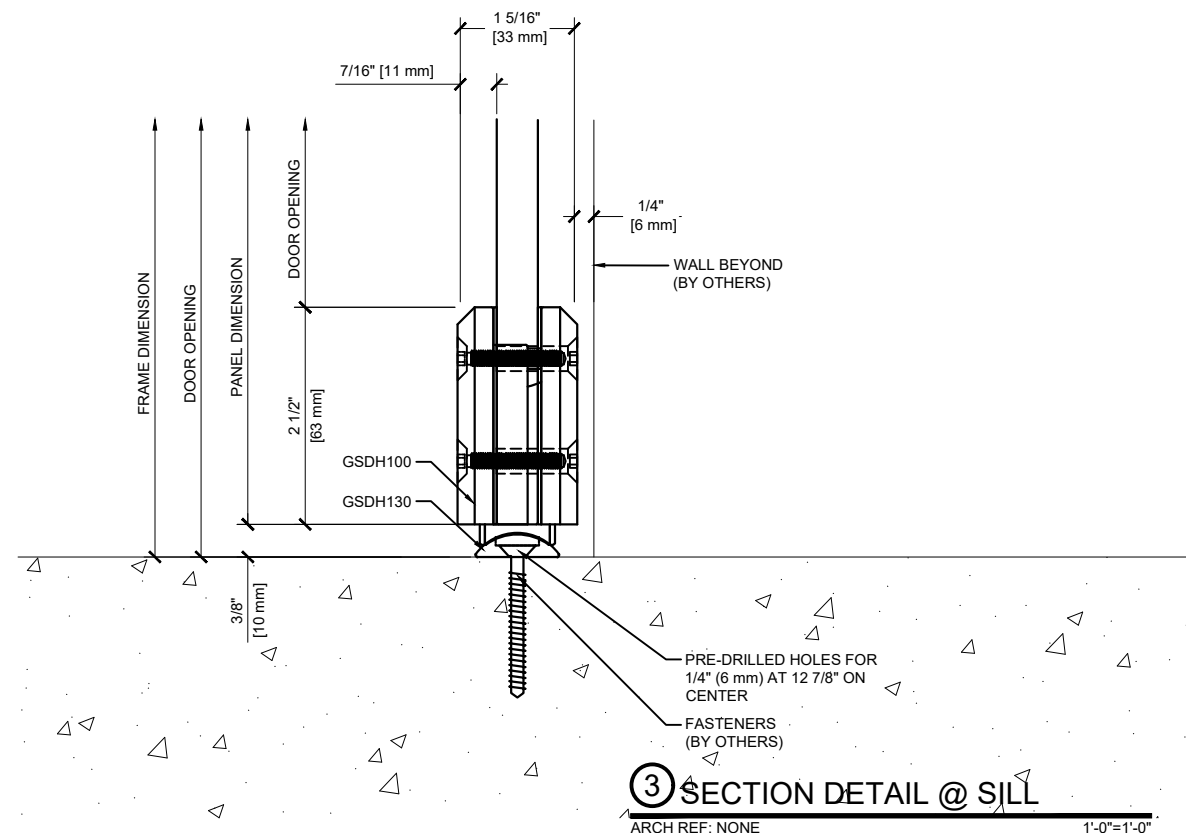
① SECTION DETAIL @ HEAD

ARCH REF: NONE 1'-0"=1'-0"



② SECTION DETAIL @ HORIZONTAL

ARCH REF: NONE 1'-0"=1'-0"



③ SECTION DETAIL @ SILL

ARCH REF: NONE 1'-0"=1'-0"

Revisions By:

CRL.

2503 E. Vernon Avenue, Los Angeles, CA 90058-1897
PH (800)-421-6144 FX: 800-587-7501 www.crlaurence.com

Description:
CRL GSDH1 SERIES
SINGLE BOTTOM
ROLLING DOOR

FOR 5/16" TO 1/2" GLASS

Drawn By: S

Date: 10.16.19

Scale: AS NOTED

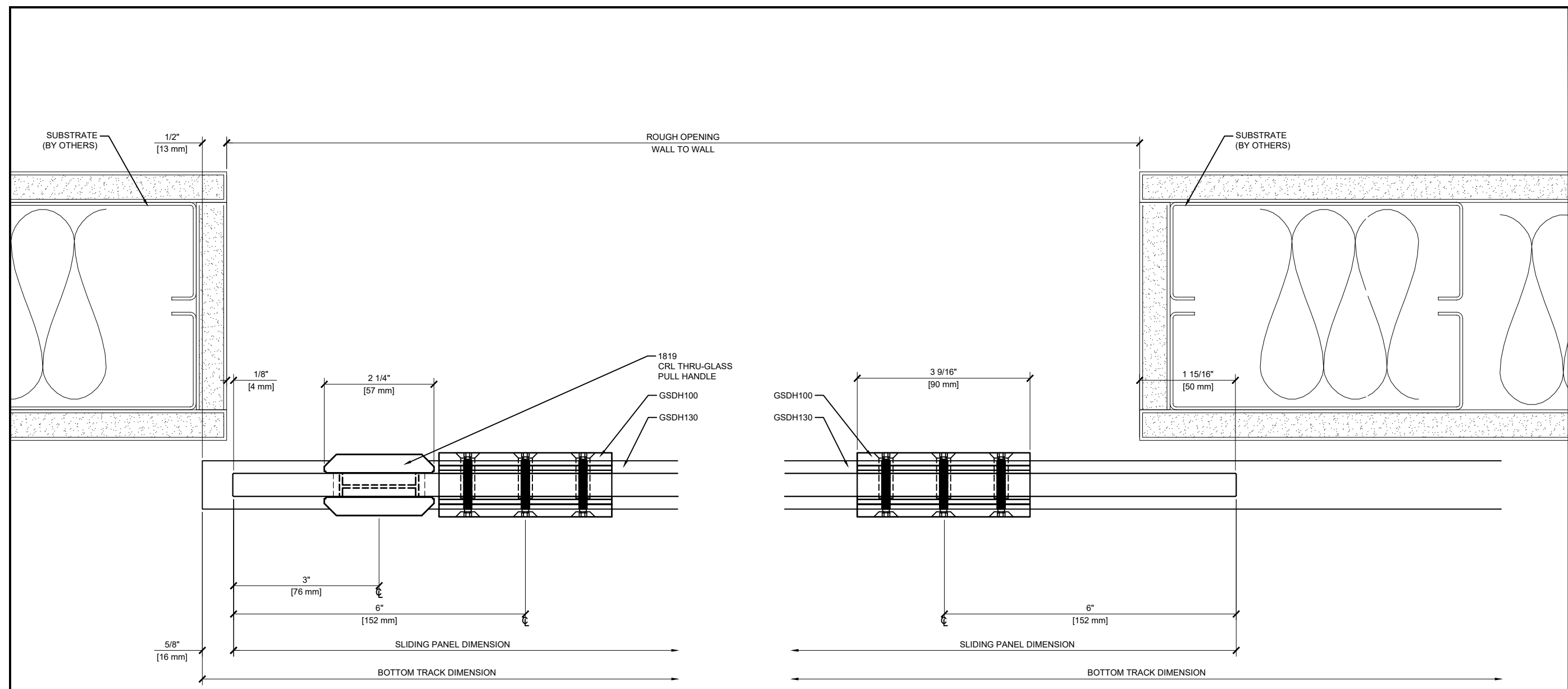
File Name:

SYS904568

Sheet

3.01

Revisions By:



① SECTION DETAIL @ JAMB
 ARCH REF: NONE 1'-0"=1'-0"

② SECTION DETAIL @ JAMB
 ARCH REF: NONE 1'-0"=1'-0"

CRL

2503 E. Vernon Avenue, Los Angeles, CA 90058-1897
 PH (800)-421-6144 FX: 800-587-7501 www.crlaurence.com

Description:
 CRL GSDH1 SERIES
 SINGLE BOTTOM
 ROLLING DOOR
 FOR 5/16" TO 1/2" GLASS

Drawn By: S
 Date: 10.16.19
 Scale: AS NOTED
 File Name:
 SYS904568

Sheet
 4.01