

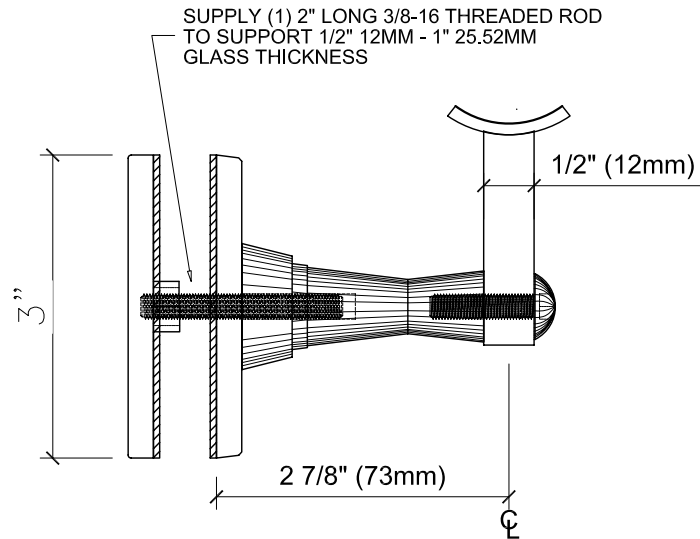
# CRL 2-WAY ADJUSTABLE CONCEALED WALL MOUNTED HAND RAIL BRACKET

## New Glass Mounted Handrail Bracket

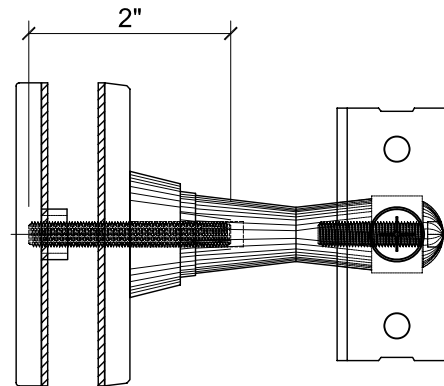
- HR2SGBS Brushed Stainless Steel
- HR2SGPS Polished Stainless Steel
- HR2SGMA Mill Finish Aluminum
- HR2SGPB Polished Brass
- HR2SGSA Satin Anodized Aluminum
- HR2SGDU Dark Bronze Anodized

All supplied with (2) self drilling #8 x 3/4" long pan head phillips head screw

SUPPLY (1) 2" LONG 3/8-16 THREADED ROD TO SUPPORT 1/2" 12MM - 1" 25.52MM GLASS THICKNESS



SIDE VIEW OF HR2SG BRACKET



TOP VIEW OF HR2SG BRACKET

### WALL MOUNTED BRACKET ASSEMBLY DETAIL USED FOR:

CATALOG NUMBER	FINISH
HR2SWMA	MILL ALUMINUM
HR2WSA	SATIN ANODIZED
HR2SWDA	DARK BRONZE ANODIZED
HR2SWBS	BRUSHED STAINLESS
HR2SWPS	POLISHED STAINLESS
HR2SWPB	POLISHED BRASS



ARCHITECTURAL PRODUCTS  
 PH: 800-421-6144 FX: 800-262-3299  
 WWW.CRLAURENCE.COM

DESCRIPTION:

WALL MOUNTED BRACKET ASSEMBLY

FOR 1-1/4" SCH40, 1.5" SCH40, AND 2" DIA HANDRAIL TUBING

CAT. NO: (SEE CHART)	DATE: 04/28/08
FILE NAME: HR2SW	SCALE: N.T.S.
DRAWN BY: R.A.	CHECKED BY: C.H.
SHT 1 OF 1	