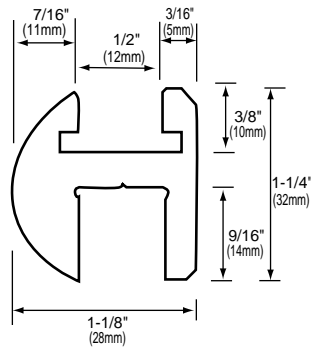


Deluxe Header Kit

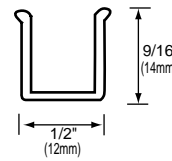
Deluxe Header Kit

Cat. No. SDH660-66" (1676mm) Length
 Cat. No. SDH980-98" (2489mm) Length
 Cat. No. SDH144-144" (3657mm) Length
Each Deluxe Header Kit Contains:

- 66" (1676mm), 98" (2489mm) or 144" (3657mm) Header Extrusion
- 36" (914mm) Snap-in Filler for Door Pocket
- Vinyl for 5/16" (8mm) and 3/8" (10mm) Glass (not required for 1/2" (12mm))
- Wall Mounting Brackets



Deluxe Header Extrusion

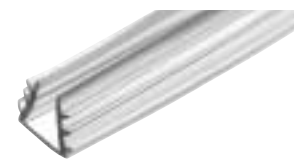


Snap-In Filler Insert

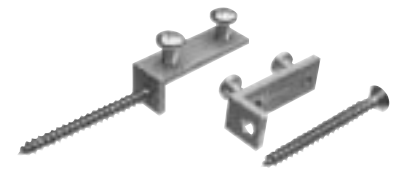


View of Flat Side
View of Round Side
Double Profile Header Extrusion

Snap-in Filler for Door Pocket
(fits in header channel)



Clear Vinyl



Wall Mounting Brackets

Brass Corners, Fixed and Adjustable Header Corners, 2-1/4" (57mm) Blank Mounting Bracket and Adaptor Blocks for use with Pivot Hinges are not included in Deluxe Header Kit, and must be ordered separately (see below).

Deluxe Header Kit Options



90° Fixed Corner
Cat. No. CD390



135° Fixed Corner
Cat. No. CD395



Adjustable Angle Corner
Cat. No. CD373



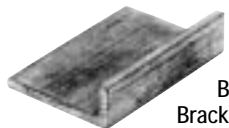
Prima, Shell and Rondo
Pivot Hinge
Installations Require
Adaptor Block Below



Brass 135° Header Corner
Cat. No. BHC135



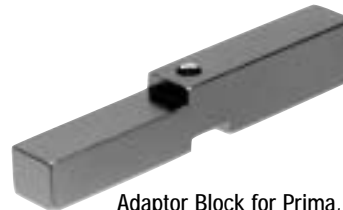
Adapter Block for
Senior Prima Hinges
(screw provided)
Cat. No. SRHAB01



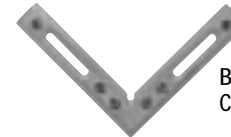
2-1/4" (57mm)
Blank Mounting
Bracket for Angled
Applications Cat. No. SHB225



Wall Mounting Brackets
Included in Kit. May Also
Be Ordered Separately.
Cat. No. SHB100



Adaptor Block for Prima,
Shell and Rondo Hinges
Cat. No. HAB01



Brass 90° Header Corner
Cat. No. BHC90



Brass Wall Mount Brackets
with screws (two per pack)
Cat. No. BWB2

(Continued on Page 3-25)

Deluxe Header Installation Instructions - (Continued from Page 3-26)

Installation of Aluminum Header Corners at the Mitered Joints

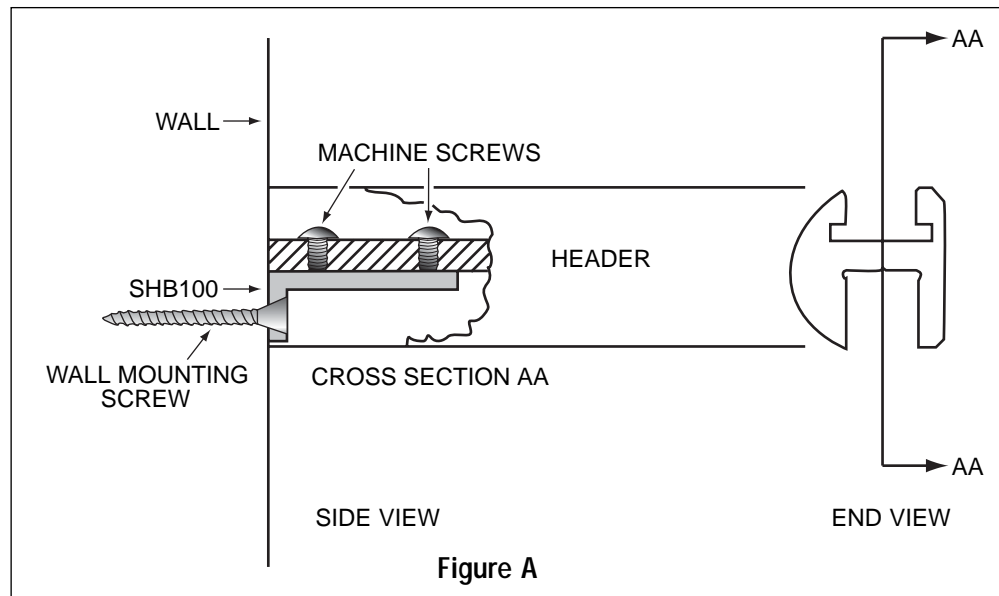
Slide the appropriate angled corner into the "T" slot in the top of the header, and close the joint to a tight fit. Then center punch the holes in the angled corner and drill through the cross section of the header with a #27 high speed drill. Insert screws and tighten.

Installation of Brass Header Corners at the Mitered Joints

Slide the appropriate angled corner into the "T" slot in the top of the header, and close the joint to a tight fit. Tighten the Allen Head set screws using a 3mm wrench. When all the set screws are tightened firmly, the corner is complete.

Header Installation Using Wall Mount or Glass-to-Glass Hinges

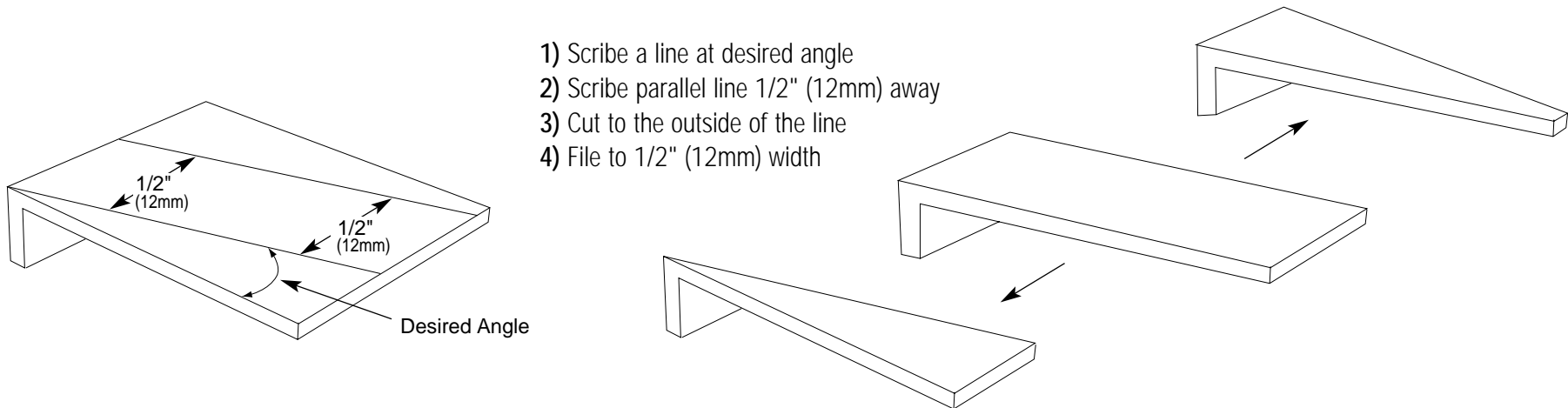
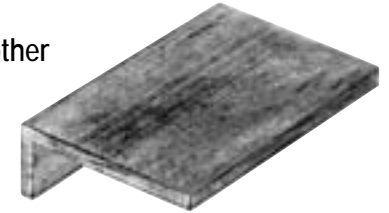
Now that the header has been cut and fabricated we can start the installation. The first step is to secure the wall mounting brackets to the wall with the #10 x 2" (51mm) Flat Head Phillips Screw. The location was determined earlier in the procedures. Now we need to do our first test fit by dropping the header over the wall mounting brackets, checking for hole alignment and fit to the wall. Proceed if this is satisfactory. Because the clear vinyl secures the header tightly to the glass (except for 1/2" (12mm) thick glass where vinyl is not required), it is suggested that when you do the second test fit that you only use two 1" (25mm) pieces of vinyl at each side of your fixed panels. The second test fit involves setting your fixed panels in place with the 1" (25mm) strips of vinyl on the top. Drop the header down over the wall brackets with the supplied screws, and test for fit and rigidity. If everything is fine remove the header, put full length strips of clear vinyl on top of the glass, and install the header (see Figure A below). Measure the open channel space above the door. Cut and install the Snap-In Filler Insert. Install the door with proper clearances, and apply pre-designated wipes and seals.



(Continued on Page 3-28)

Fabrication and Installation of Cat. No. SHB225 Angled Header Mounting Brackets

Cat. No. SHB225 Blank Mounting Brackets are only used for applications where the header mounts to the wall at an angle other than 90°. The 2-1/4" (57mm) wide bracket allows for making angled brackets in a wide variety of degrees. Take the bracket and scribe a mark on the top side of the long leg, from the back edge of the bracket at the angle you desire. Now scribe a line parallel to the original line 1/2" (12mm) away. This will give you the desired clip width of 1/2" (12mm). Cut the excess material off on either side of the scribed lines and file smooth. Scribe a line down the top of the bracket 1/4" (6mm) in from the edge. This will be the center-line for your tapped holes. From the back of the bracket, scribe a cross line over the center-line in 3/8" (10mm) and 1-1/4" (32mm) to mark the hole centers. Drill these two hole centers with a No. 25 H.S. Drill and tap them with a 10-24 tap. The short leg of the bracket needs to be drilled with 3/16" (5mm) H.S. Drill in the center and then countersunk with a #10 countersink, from the side with the long leg. The bracket is now ready to be attached to the header, but first you have to drill two clearance holes through the cross web of the header. To do this, slip bracket in the bottom channel of the header (the same channel your glass fits in), with the back edge of the bracket flush with the mitered cut. Take a center punch and mark the hole centers using the tapped holes in the bracket as guides. Drill these two holes with a 3/16" (5mm) H.S. Drill and remove the burr on each side with a #8 countersink. Being as you will not be using the screws from one of the 90° brackets supplied with the header, these screws can be used on your angled bracket. The bracket can be attached to the header by simply sliding the bracket in the bottom channel, and securing it from the top through the cross web with two each #10-24 x 3/8" (51mm) Pan Head Phillips Screws. Place the header in position and mark the wall screw hole location. Remove the header and then remove the angled bracket. Drill the wall at the designated location, insert a screw anchor, and secure the clip to the wall with the #10 x 2" (51mm) Flat Head Phillips Screw. You can now re-install the header and secure it with the two each #10-24 x 3/8" (10mm) Pan Head Phillips Screws.



(Continued on Page 3-27)

Deluxe Header Installation Instructions - (Continued from Page 3-24)

Locating and Attaching Wall Mounting Brackets

To find the desired wall location, take a level and make a pencil line up the wall corresponding to the center-line of the glass. Then take your tape rule and measure up from the curb 1" (25mm) less than the top height of the header. This will be the location of the wall mounting screw (#10 x 2" (51mm) Flat Head Phillips). Depending on the wall composition and backing, the installer must determine if a screw anchor is required or if the 2" (51mm) screw will reach a stud. **IMPORTANT:** Do not attach the mounting brackets at this time, as you will need them later in the installation to index the two hole locations in the header.



Locating and Attaching the Brass Wall Mount Brackets (If purchased separately and using in place of standard Wall Mounting Brackets above)

To find the desired wall location, take a level and make a pencil line up the wall corresponding to the center-line of the glass. Then take your tape rule and measure up from the curb 1/4" (6mm) less than the top height of the header. This will be the location of the wall mounting screw (#10 x 2" (51mm) Flat Head Phillips). Depending on the wall composition and backing, the installer must determine if a screw anchor is required or if the 2" (51mm) screw will reach a stud. At this time, you may place the wall bracket in the end of the header that will be attached to the wall. Position the wall bracket to be flush to the end of the header piece. The hole in the end of the bracket will face the wall that you are attaching your header to. With the bracket in the correct position, tighten down on the Allen Head set screws (using a 3mm wrench) in the bracket until they are firmly tightened.

Cutting Header for Neo-Angle 135° Installations

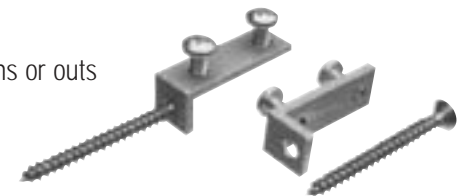
All reference measurements are obtained from the glass center-line measurements that you have previously designated on the bottom curb, step or wall. Neo-angle headers require 22 1/2' miters cut at the 135° angles, and 90° square cuts where they meet the wall (unless the wall is angled, which will require an appropriate angle cut). The top channel of the header has a recessed "V" line running the length of the extrusion. This line matches the center-line of the glass, so all cutting measurements should be taken from point to point along this line. Example: A door opening width is 25" (635mm) center-line measurement, and the side panels on each side of the door return at a 135° angle. You know that the header above the door will require a left hand 22-1/2' miter on one side and a right hand 22-1/2' on the other side. To be sure you have cut the extrusion the proper length, take a tape rule and measure the length of the extrusion at the "V" line. If it matches your designated measurement, your extrusion is cut the correct size. Hint: It is better to cut your extrusion a little long and nibble cut it to the proper length, than to cut it short and have to throw it away. The header for the side panels requires a 22-1/2' miter cut on one end and a 90° square cut on the other end. The lengths of these cuts are also measured down the "V" line. If the walls are square, the cut length will match the previously designated length from the bottom measurements. However, if the walls slant in or out, you will have to add or deduct the in or out measurement from your designated length.

Cutting Header for 90° Return Installations

The basic instructions for 135° Neo-Angle Installations (above) should be followed, except the miter cuts at the return will be 45°. The ins or outs should be added or deducted when making the cut.

Fabricating Header Ends for Wall Mounting Brackets

Lay the header on top of a table or other firm surface, with the shallow "T" slot channel facing up (be careful not to scratch header). Slide the wall mounting bracket in the channel with the short leg facing up and to the outside. Slide the wall mounting bracket in until the end of the bracket is flush with the cut. Then center punch the hole locations using the "V" line as center indexing point. Remove the bracket and drill the two holes with a 3/16" (5mm) drill (holes are drilled completely through the cross section). After drilling the two holes, deburr them with a #8 counter sink. Repeat above operation on the other end of the header. Set brackets and screws aside for now.

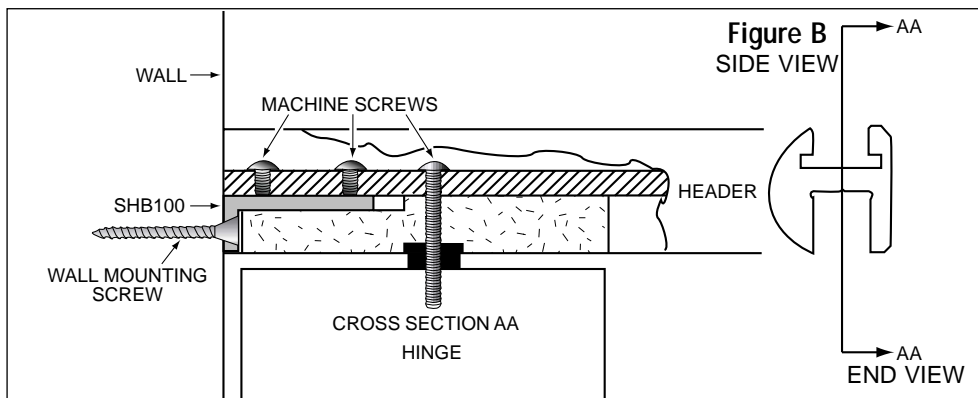


(Continued on Page 3-26)

Deluxe Header Installation Instructions - (Continued from Page 3-27)

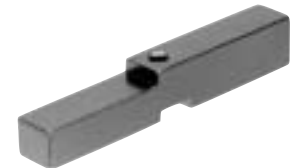
Header Installation Using Top and Bottom Pivot Hinges-For instructions Adapting the Senior Prima Hinge into the Header, call ext. 777

Now that the header has been cut and fabricated we can start the installation. The first step is to secure the wall mounting brackets to the wall using the #10 x 2" (51mm) Flat Head Phillips Screws. The location was determined earlier in the procedures. Now we need to do our first test fit by dropping the header over the wall mounting brackets, checking for hole alignment and fit to the wall. If this is satisfactory proceed to the next step. Because the clear vinyl secures the header tightly to the glass (except for 1/2" (12mm) thick glass where vinyl is not required), it is suggested that when you do the second test fit that you only use two 1" (25mm) pieces of vinyl at each side of your fixed panels. The second test fit involves setting your fixed panels in place with the 1" (25mm) strips of vinyl on the top. Drop the header down over the wall brackets with the supplied screws, and test for fit and rigidity. If everything is fine remove the header, put full length strips of clear vinyl on top of the glass, and install the header. Before installing the Top and Bottom Pivot Hinges two factors must be considered. First of all, check the hinge location on the door glass. Is it even with the edge of the glass, or is it inset to reveal a full length glass edge or to clear a towel bar on the wall? Secondly, what is the clearance between wall or fixed glass, and the edge of the door? The Prima Hinge is 3-5/8" (92mm) wide which makes the center of the pivot pin 1-13/16" (46mm) in from the edge of the hinge. Example A: The hinge is mounted even with the edge of the door glass and there is a 3/16" (5mm) clearance gap between it and the wall or fixed glass (center-line of hinge pin 1-13/16" (46mm) plus clearance gap 3/16" (5mm) = 2" (51mm)). This is how far in the center-line of the pin should be away from the wall or fixed glass. Example B: The hinge center-line is inset 2-5/8" (67mm) in from the edge of the glass to create a 13/16" (21mm) glass strip beyond the hinge, and there is a 1/8" (3mm) clearance gap between it and the wall or fixed glass (centerline of hinge pin 2-5/8" (67mm) plus clearance gap 1/8" (3mm) = 2-3/4" (70mm)). This is how far in the center-line of the pin should be away from the wall or fixed glass. The distance from the wall or fixed glass to the center-line of the pin must be determined prior to installing the Header Adapter Block. The Header Adapter Block is mounted in the bottom channel of the header, with the "U" cutout that has a hole in the middle of it facing the bottom, and the notch in the top faces the mounting bracket below. The block can be slid to the left or the right so the center-line of the hole matches the center-line of the pin, which was already determined using Example A or B. Using a #7 Drill High Speed Bit inserted in the hole in the block, drill a hole completely through the header cross web. After drilling the hole, deburr it with a #8 countersink. Then remove the base plate from the hinge and insert the square base of the pin into the Adapter Block, securing it from above with a pan head screw (supplied with the block). Now mount the bottom hinge using the same pin center-line measurements. Then measure the open channel space above the door, cut and install the Snap-In Filler Insert. Install the door with proper clearances, and apply pre-designated wipes or seals.



Header Adapter Block

(Sold Separately. Not Included in Header Kit.)
For Use with Prima, Shell, Rondo, or Senior Prima Hinge.



This block fits in the lower channel of the header and will slide sideways to any position you require. The block has a clearance notch on the top of it to fit under the wall bracket when the hinge will be mounted close to the wall (see Figure B on previous page). Installation is easy. Remove the base plate of the hinge being mounted with Header. Slide the block to the desired position, and drill a 3/16" (5mm) hole in the Header from the bottom using the hole in the block as a guide. The Senior Prima hinge can be adapted into the Deluxe Header using the SRHAB01 Header Adapter Block. The only difference between using the Senior Prima Hinge and the regular Prima Hinge, is that the SRHAB01 comes with a pivot attached. The factory-installed pivot pin must be removed from the Senior Prima hinge and the pivot pin attached to the SRHAB01 is to be installed into the hinge.