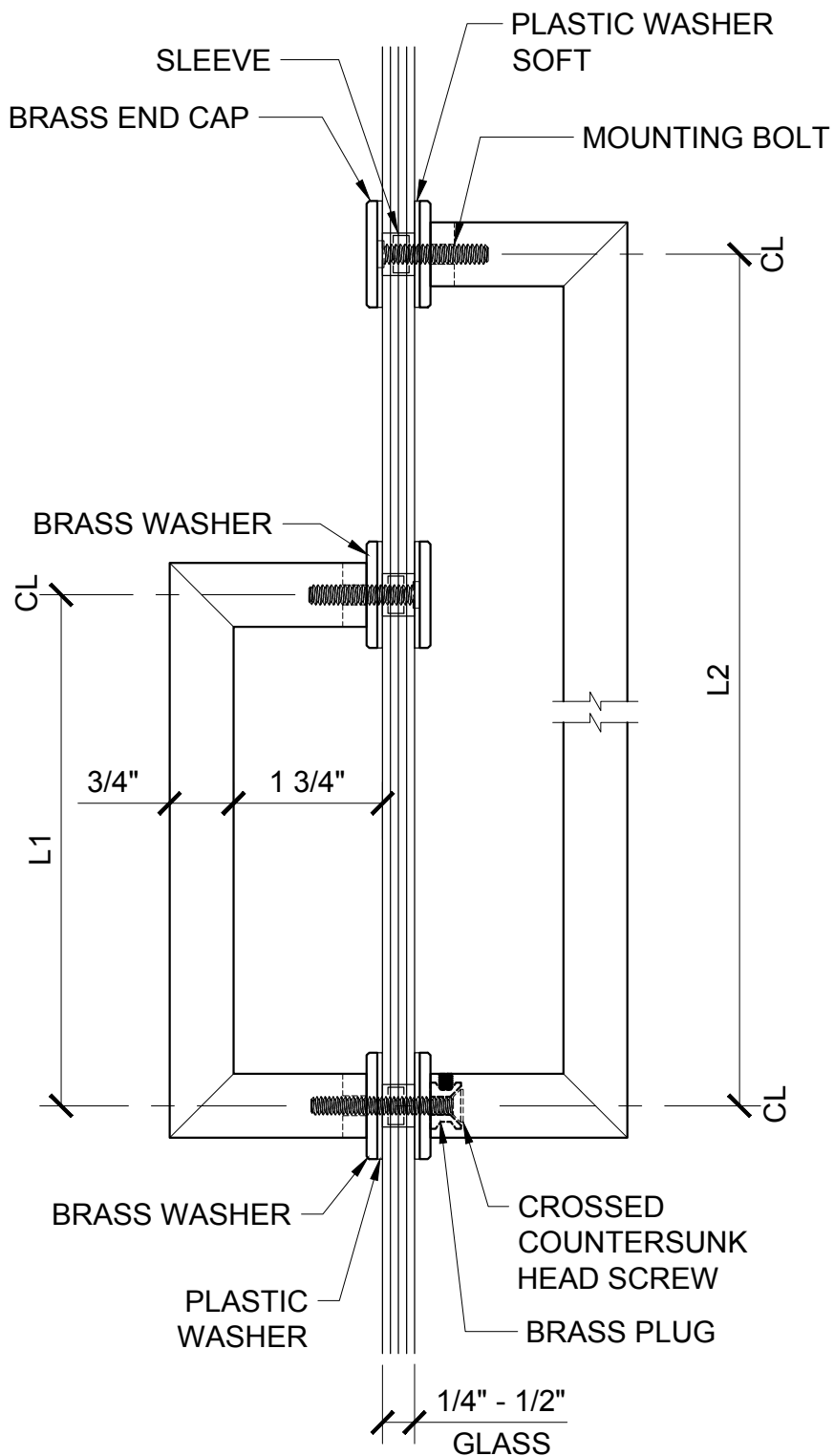
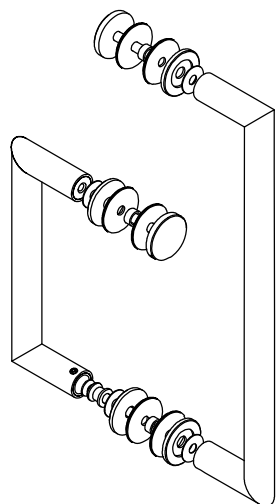


3/4" (19mm) Diameter. Brass Tubing
Glass Thickness Range: 1/4" to 1/2" (6mm to 12 mm)
Hole Diameter Required: 1/2"(12mm) (3)



PART NUMBER	FINISH	L1 x L2
MT6X180RB	OIL RUBBED BRONZE	6"X18"
MT6X18BN	BRUSHED NICKEL	6"X18"
MT6X18BR	POLISHED BRASS	6"X18"
MT6X18CH	POLISHED CHROME	6"X18"
MT6X18MBL	MATTE BLACK	6"X18"
MT6X18PN	POLISHED NICKEL	6"X18"
MT6X18SC	SATIN CHROME	6"X18"

MT6X240RB	OIL RUBBED BRONZE	6"X24"
MT6X24BN	BRUSHED NICKEL	6"X24"
MT6X24BR	POLISHED BRASS	6"X24"
MT6X24CH	POLISHED CHROME	6"X24"
MT6X24PN	POLISHED NICKEL	6"X24"
MT6X24SC	SATIN CHROME	6"X24"

MT8X180RB	OIL RUBBED BRONZE	8"X18"
MT8X18BN	BRUSHED NICKEL	8"X18"
MT8X18BR	POLISHED BRASS	8"X18"
MT8X18CH	POLISHED CHROME	8"X18"
MT8X18PN	POLISHED NICKEL	8"X18"
MT8X18SC	SATIN CHROME	8"X18"

MT8X240RB	OIL RUBBED BRONZE	8"X24"
MT8X24BN	BRUSHED NICKEL	8"X24"
MT8X24BR	POLISHED BRASS	8"X24"
MT8X24CH	POLISHED CHROME	8"X24"
MT8X24PN	POLISHED NICKEL	8"X24"
MT8X24SC	SATIN CHROME	8"X24"



C.R. LAURENCE CO. ARCHITECTURAL PRODUCTS
 2503 E. Vernon Avenue, Los Angeles, C.A 90058-1897
 PH (800)-421-6144 FX: 800-587-7501 www.crlaurence.com

DESCRIPTION: CRL MT SERIES COMBO PULL HANDLE/TOWEL BAR
 PART #: SEE CHART

DATE: 11/6/2018
 SCALE: NTS
 DRAWN BY: VM